



US00D728078S

(12) **United States Design Patent**  
**Scott et al.**

(10) **Patent No.:** **US D728,078 S**

(45) **Date of Patent:** **\*\* Apr. 28, 2015**

(54) **SINK STRAINER AND STOPPER**

(71) Applicant: **Polder Housewares, Inc.**, Oxford, CT  
(US)

(72) Inventors: **George Calvin Scott**, New Fairfield, CT  
(US); **Roberto Pedros**, Oxford, CT  
(US); **Kerry Cooper**, Pleasantville, NY  
(US)

(73) Assignee: **Polder Housewares, Inc.**, Oxford, CT  
(US)

(\*\*) Term: **14 Years**

(21) Appl. No.: **29/483,531**

(22) Filed: **Feb. 28, 2014**

(51) **LOC (10) Cl.** ..... **23-01**

(52) **U.S. Cl.**  
USPC ..... **D23/261**

(58) **Field of Classification Search**  
USPC ..... D23/259-267; 4/286-292, 596-614,  
4/679-694; 210/163  
See application file for complete search history.

(56) **References Cited**

U.S. PATENT DOCUMENTS

2,163,453	A *	6/1939	Schultis	4/287
2,278,566	A *	4/1942	Schaible	285/148.11
2,279,683	A *	4/1942	Judell et al.	4/288
2,643,394	A	6/1953	Wood	
2,739,317	A *	3/1956	Abresch	4/679
2,838,769	A *	6/1958	Lengyel	4/287
D189,080	S *	10/1960	Hauser et al.	D23/261
3,316,562	A *	5/1967	Van Dyke et al.	4/286
3,588,928	A *	6/1971	Hiertz at al.	4/287
3,596,294	A *	8/1971	Hoffman	4/287
3,800,339	A *	4/1974	Bergin	4/287
4,232,407	A *	11/1980	Williams	4/287
4,359,788	A *	11/1982	Liou	4/287

(Continued)

OTHER PUBLICATIONS

OXO Good Grips Silicone Sink Strainer & Stopper, OXO, 2013, retrieved from <http://www.oxo.com/p-771-silicone-sink-strainer-stopper.aspx>, 1 page.

(Continued)

*Primary Examiner* — Eric Goodman

*Assistant Examiner* — Steven Czyz

(74) *Attorney, Agent, or Firm* — Duane Morris LLP

(57) **CLAIM**

The ornamental design for a sink strainer and stopper, as shown and described in the Figures.

**DESCRIPTION**

FIG. 1 is an isometric view of the sink strainer and stopper in an open state;

FIG. 2 is a front elevation view of the sink strainer and stopper in the open state;

FIG. 3 is a side elevation view of the sink strainer and stopper in the open state;

FIG. 4 is a cross-sectional view of the sink strainer and stopper in the open state taken along line FIG. 4-FIG. 4 in FIG. 2;

FIG. 5 is a top side view of the sink strainer and stopper in the open state;

FIG. 6 is a bottom side view of the sink strainer and stopper in the open state;

FIG. 7 is an isometric view of the sink strainer and stopper in a closed state;

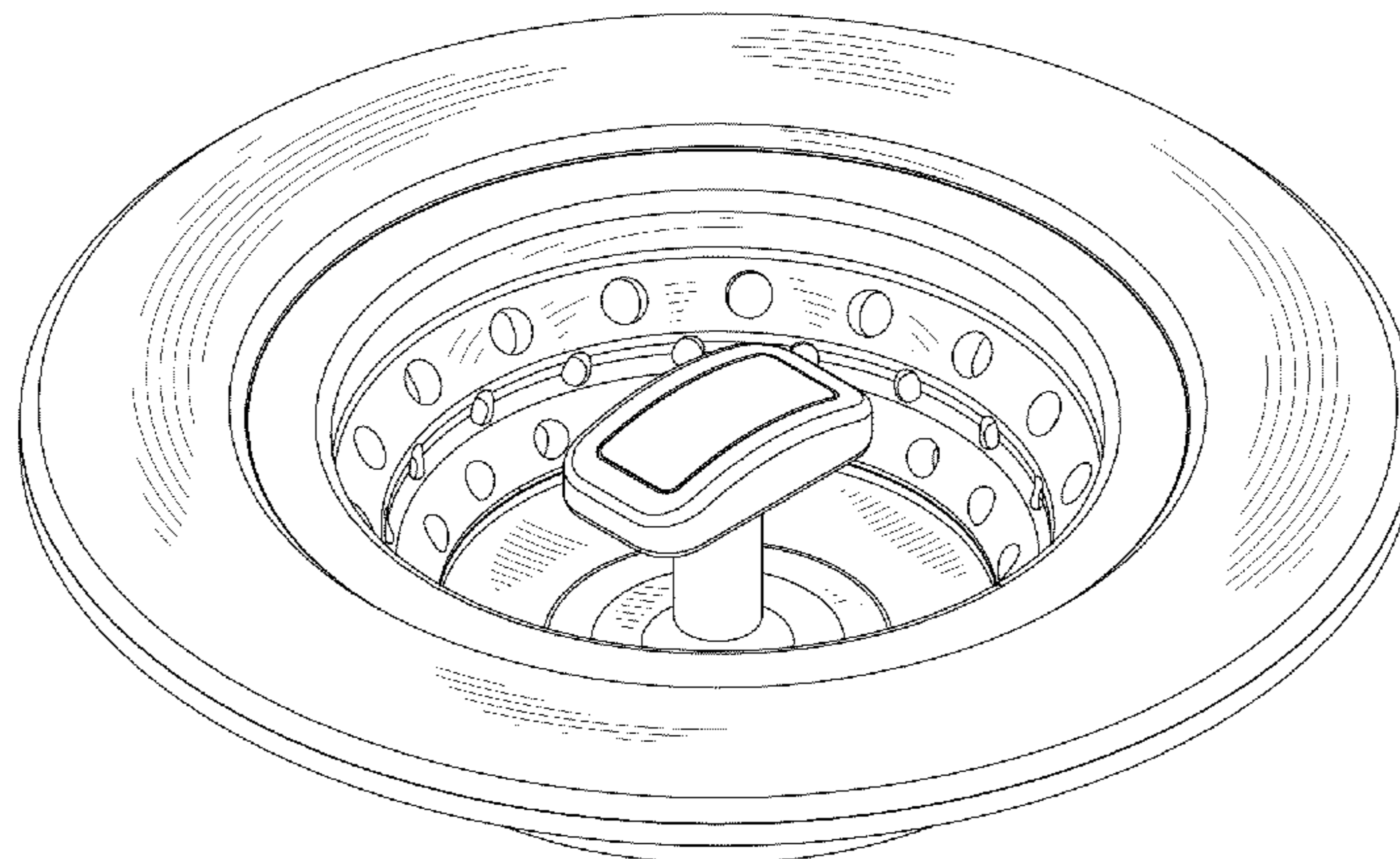
FIG. 8 is a front elevation view of the sink strainer and stopper in the closed state;

FIG. 9 is a side elevation view of the sink strainer and stopper in the closed state; and,

FIG. 10 is a cross-sectional view of the sink strainer and stopper in the closed state taken along line FIG. 10-FIG. 10 in FIG. 8.

The broken line showing is included for the purpose of illustrating portions of the article and forms no part of the claimed design.

**1 Claim, 6 Drawing Sheets**



(56)

**References Cited**

U.S. PATENT DOCUMENTS

4,692,948 A \* 9/1987 Martin ..... 4/286  
5,165,118 A \* 11/1992 Cendrowski ..... 4/287  
5,592,701 A \* 1/1997 Smith ..... 4/295  
5,915,847 A 6/1999 Spears  
6,067,669 A 5/2000 Peterson et al.  
6,418,568 B1 7/2002 Briggs et al.  
6,427,255 B1 8/2002 Duncan  
6,484,329 B1 11/2002 Duncan  
7,013,500 B1 \* 3/2006 Lin ..... 4/287  
7,832,027 B2 \* 11/2010 Escobar et al. .... 4/290  
8,011,030 B2 9/2011 Li

8,117,685 B2 \* 2/2012 Escobar et al. .... 4/290  
8,171,574 B2 5/2012 Escobar et al.  
8,214,934 B2 7/2012 Sullivan  
2004/0073992 A1 4/2004 Saman et al.  
2007/0000037 A1 \* 1/2007 Wolf ..... 4/286  
2014/0053327 A1 \* 2/2014 Lee ..... 4/287  
2014/0053328 A1 \* 2/2014 Chen ..... 4/287

OTHER PUBLICATIONS

Collapsible Stopper & Strainer, Tovolo Website and Product Catalog  
2013, Tovolo © ; ICI USA, LLC, p. 24.

\* cited by examiner

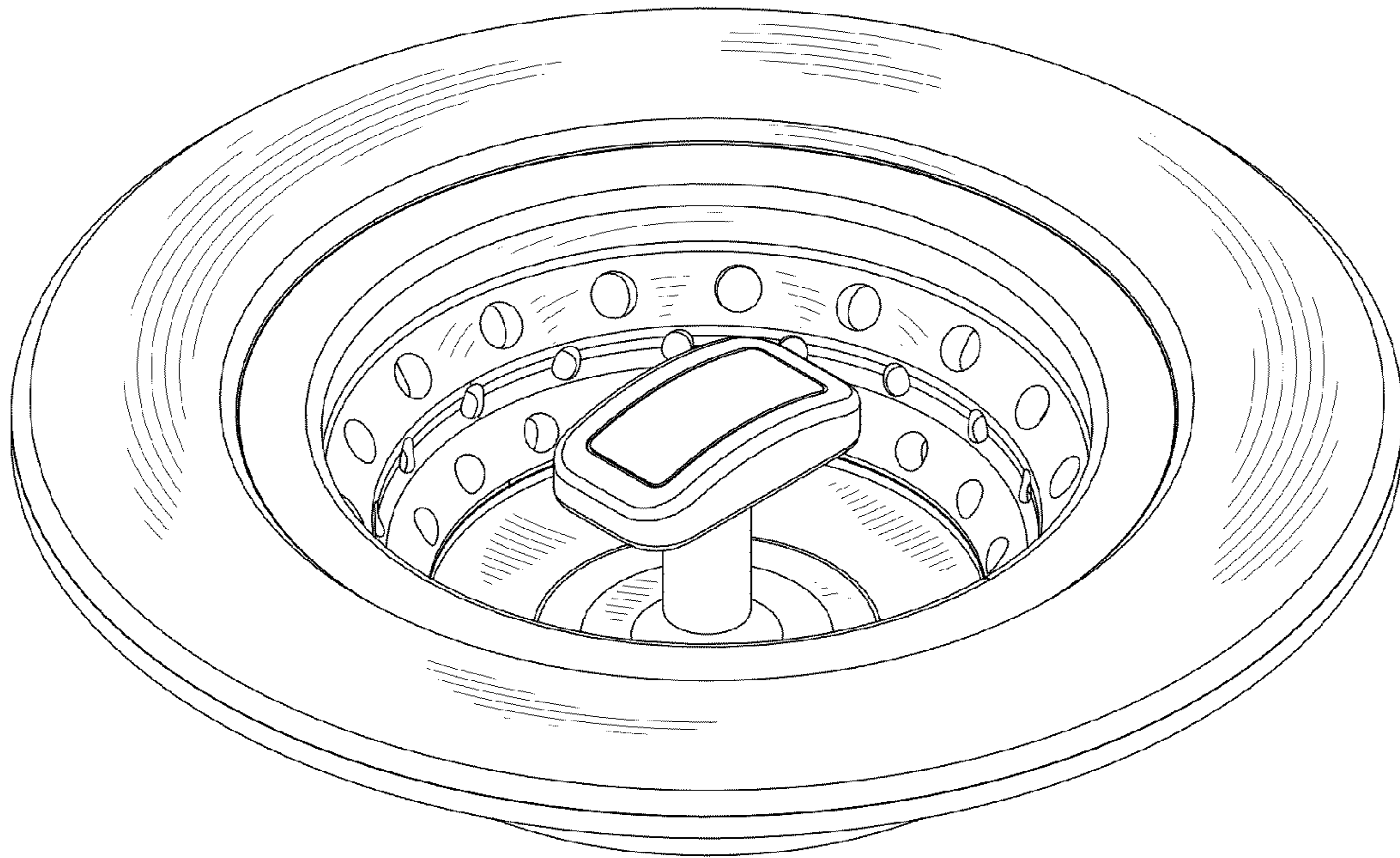


FIG. 1

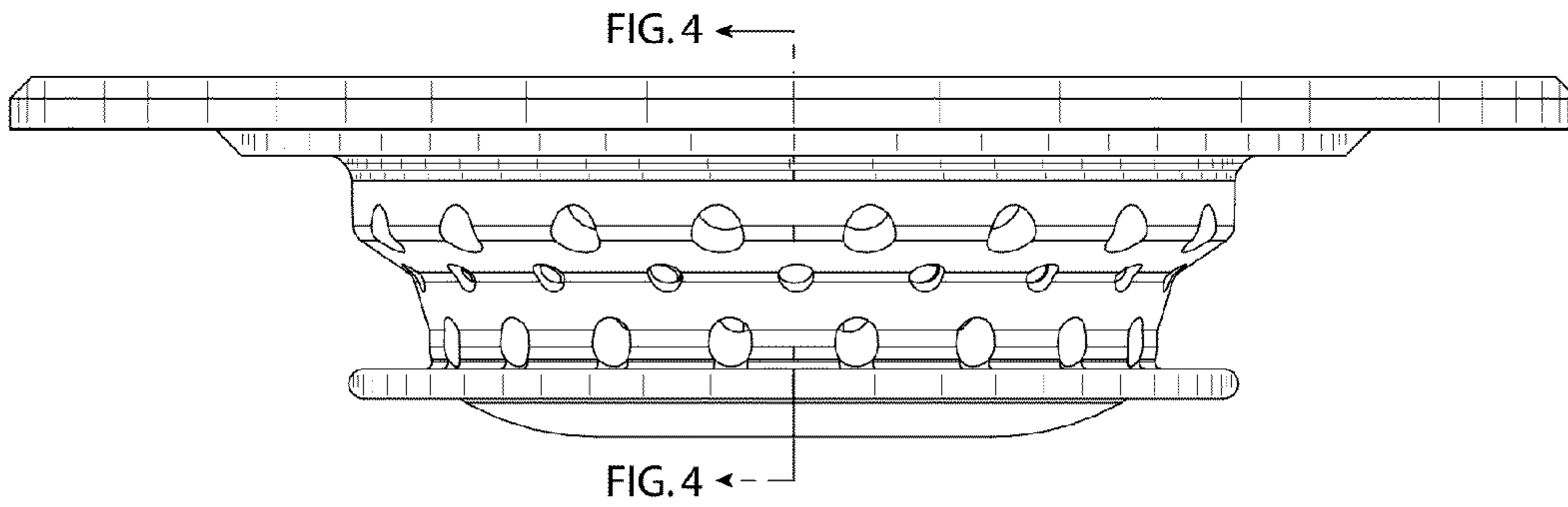


FIG. 2

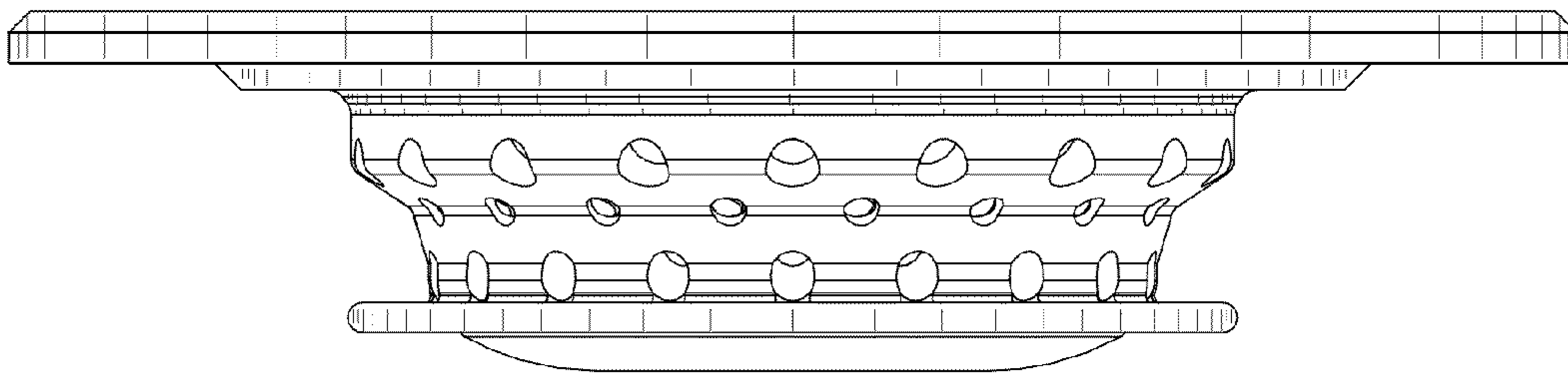


FIG. 3

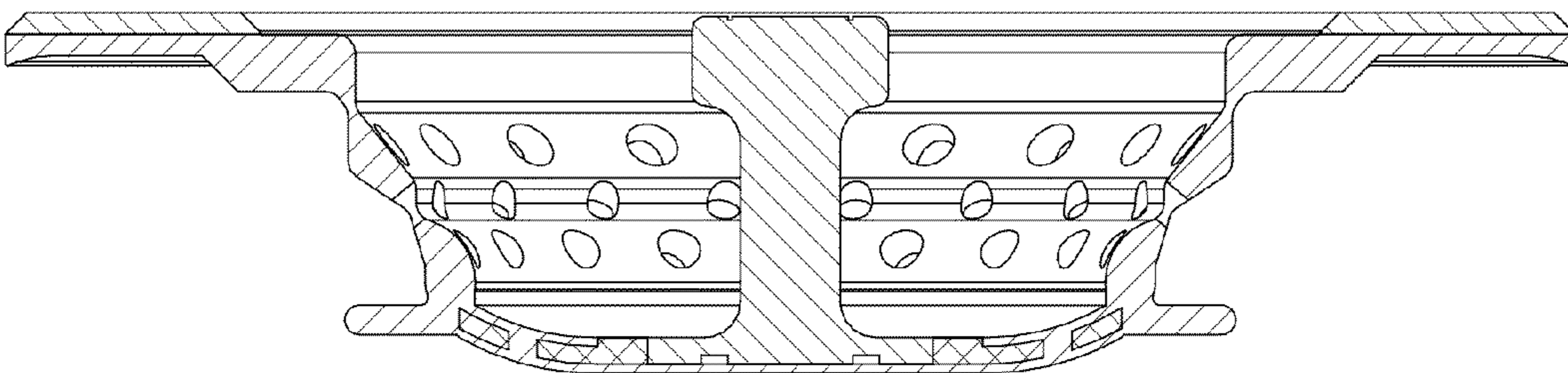


FIG. 4

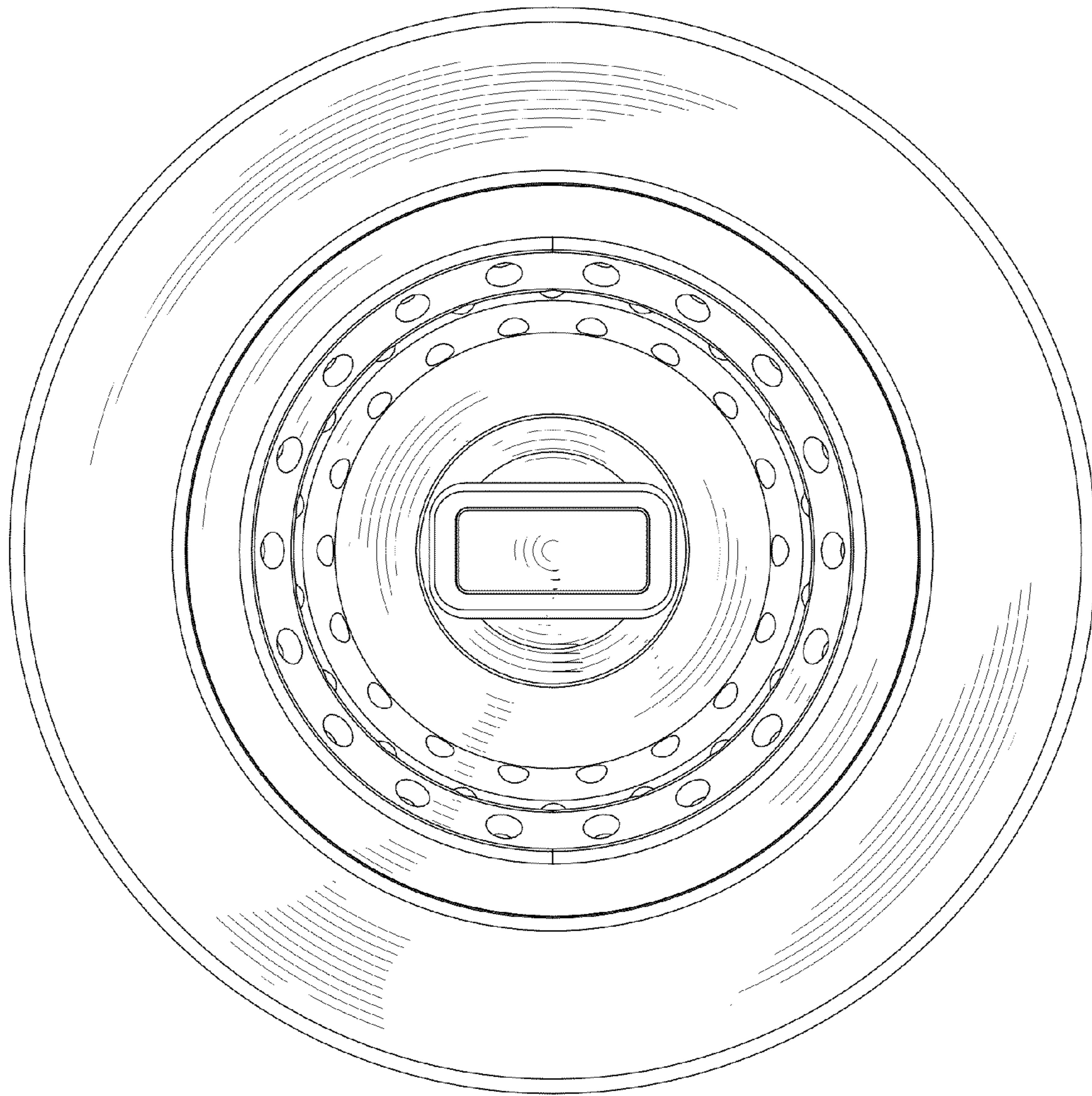


FIG. 5

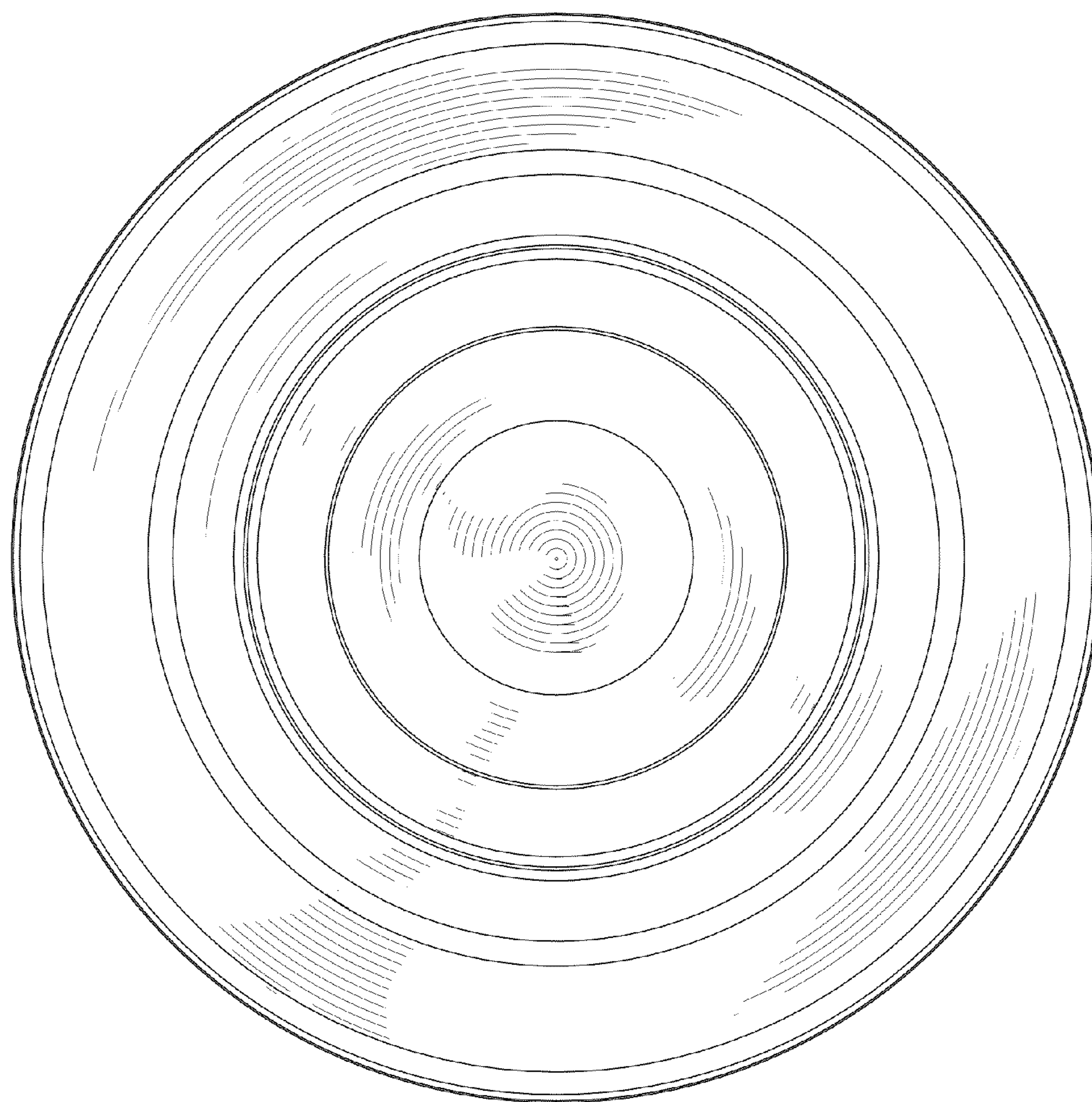


FIG. 6

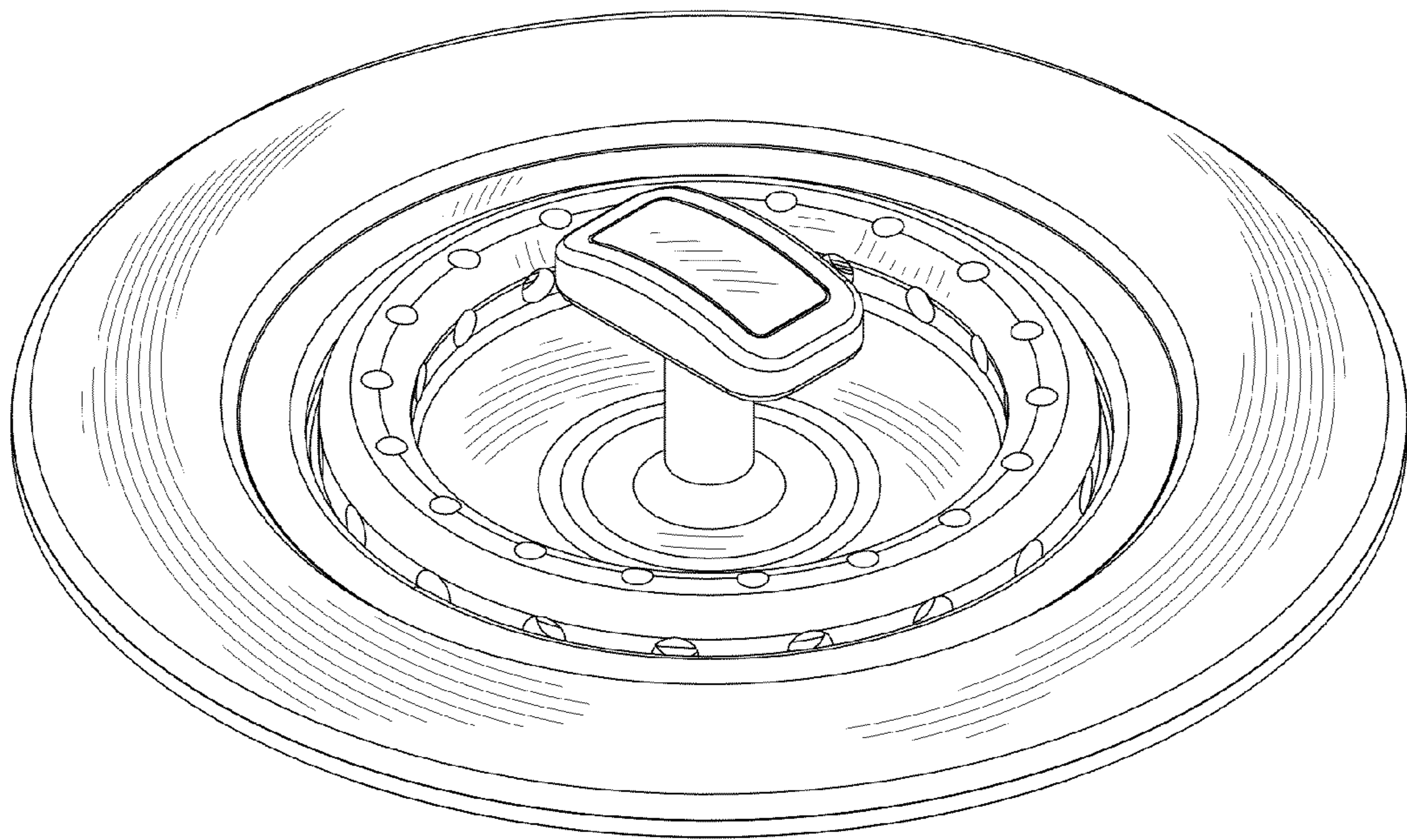


FIG. 7

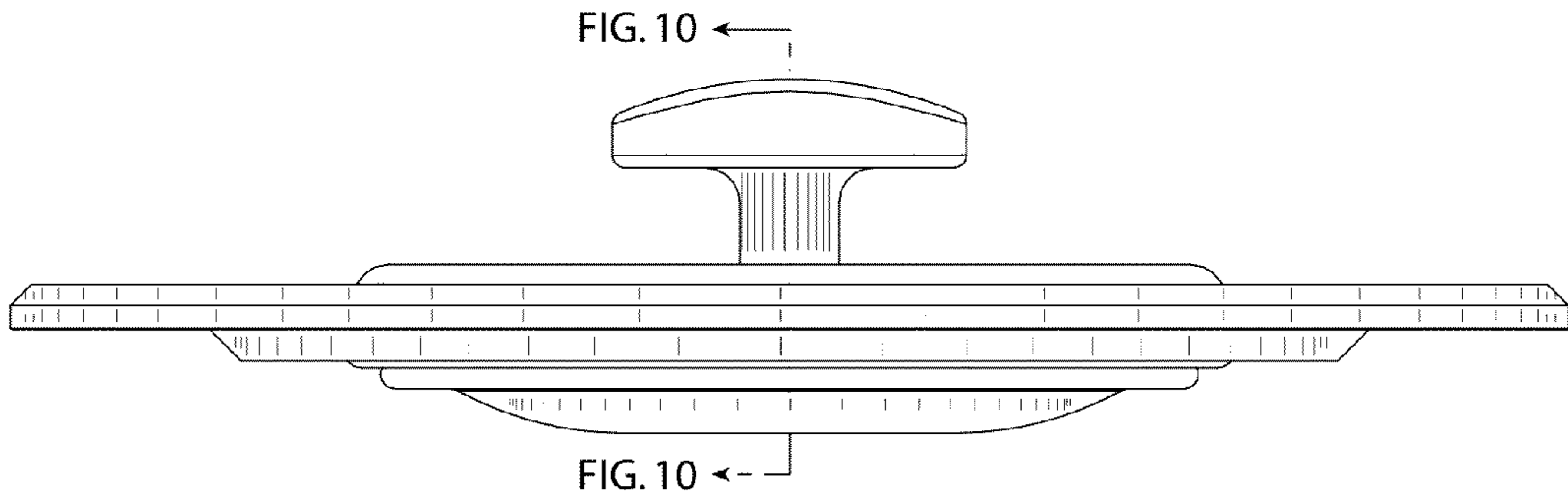


FIG. 8

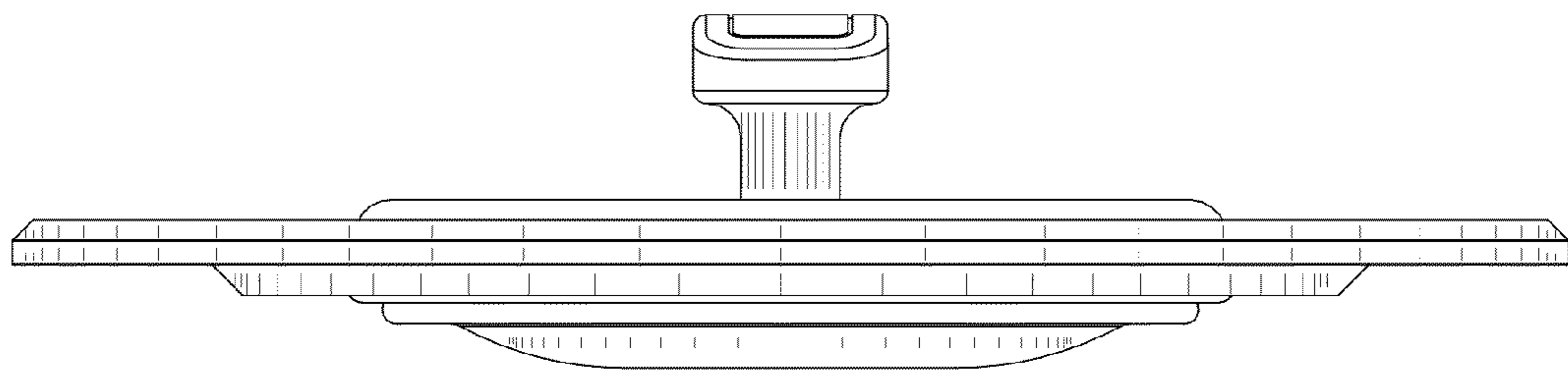


FIG. 9

