



US00D728077S

(12) **United States Design Patent**
Luo

(10) **Patent No.:** **US D728,077 S**
(45) **Date of Patent:** **** Apr. 28, 2015**

- (54) **SINK FILTER DEVICE**
- (71) Applicant: **Taizhou Luobang Sanitary Ware Mfg Co., Ltd.**, Taizhou, Zhejiang (CN)
- (72) Inventor: **Changfu Luo**, Zhejiang (CN)
- (73) Assignee: **Taizhou Luobang Sanitary Ware Mfg Co., Ltd.**, Taizhou, Zhejiang (CN)
- (**) Term: **14 Years**
- (21) Appl. No.: **29/500,048**
- (22) Filed: **Aug. 21, 2014**
- (51) **LOC (10) Cl.** **23-01**
- (52) **U.S. Cl.**
USPC **D23/260**
- (58) **Field of Classification Search**
USPC D23/259, 260, 261, 262, 263, 264, 265;
4/286–292, 596–614, 679–694;
210/163
See application file for complete search history.

5,377,362	A *	1/1995	Jackson	4/292
5,418,983	A *	5/1995	Garguillo et al.	4/287
5,535,455	A *	7/1996	Liu	4/287
5,592,701	A *	1/1997	Smith	4/295
6,108,828	A *	8/2000	Cheng	4/287
D441,848	S *	5/2001	Huang	D23/261
D454,177	S *	3/2002	Tracy	D23/261
D517,664	S *	3/2006	Hill	D23/261
7,013,500	B1 *	3/2006	Lin	4/287
D553,225	S *	10/2007	Wolf	D23/261
7,458,108	B2 *	12/2008	Wolf	4/222.1
D614,267	S *	4/2010	Breda	D23/261
7,832,027	B2 *	11/2010	Escobar et al.	4/290
D629,865	S *	12/2010	Riedel	D23/209
7,854,029	B2 *	12/2010	Shih	4/286

(Continued)

OTHER PUBLICATIONS

Keeney Mfg. Co. 4-1/2-in dia Chrome Ground Joint Sink Strainer, Sink Parts and Repair, Plumbing, lowes.com, Searched Oct. 7, 2014, http://www.lowes.com/pd_194522-143-K5445_0_?productId=3132079.*

Primary Examiner — Eric Goodman
Assistant Examiner — Steven Czyz
(74) *Attorney, Agent, or Firm* — Jackson IPG PLLC

(57) **CLAIM**
The ornamental design for a sink filter device, as shown and described.

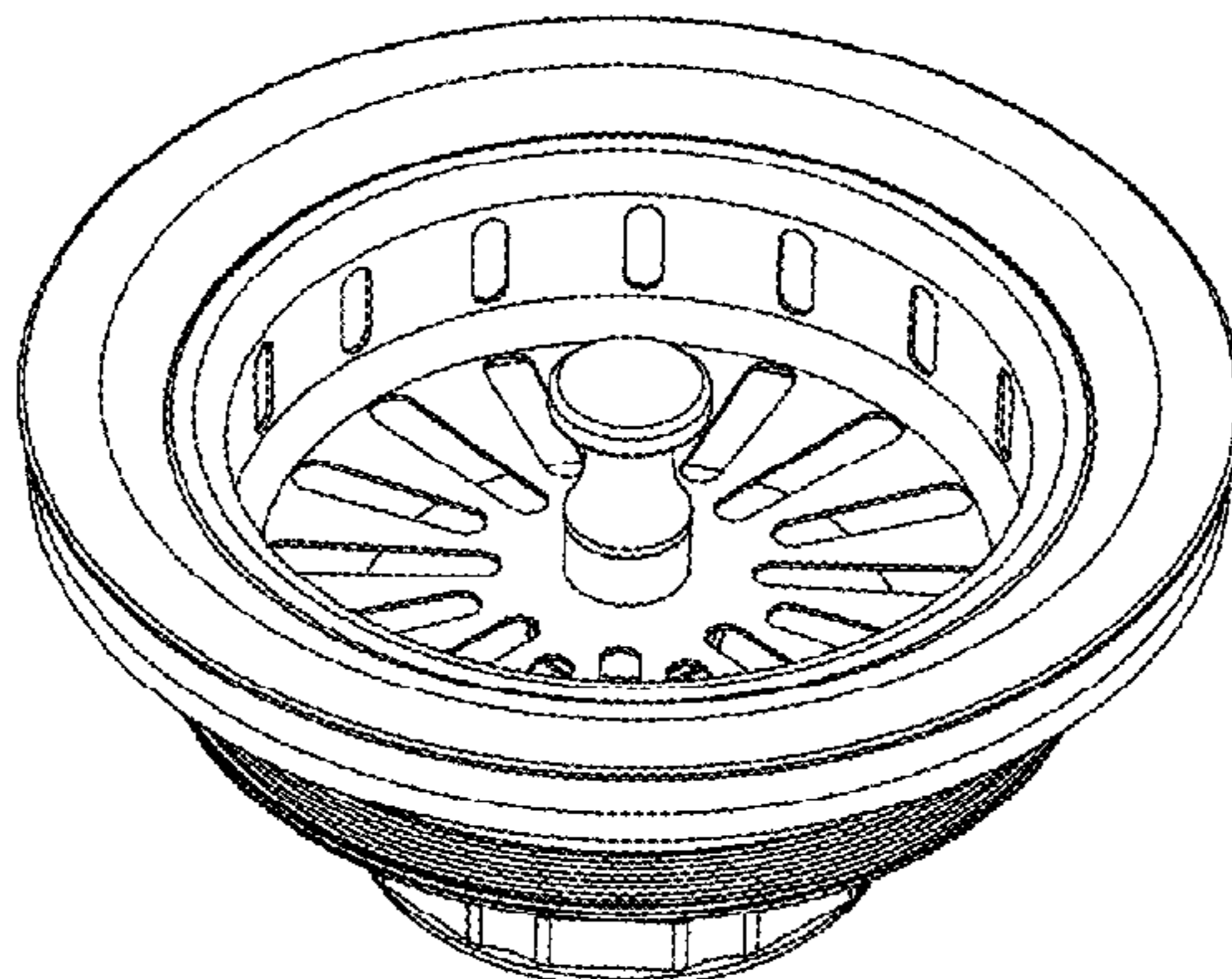
DESCRIPTION

FIG. 1 is a front side perspective view of a sink filter device showing my new design;
FIG. 2 is a front elevational view thereof;
FIG. 3 is a rear elevational view thereof;
FIG. 4 is a left side elevational view thereof;
FIG. 5 is a right side elevational view thereof;
FIG. 6 is a top plan view thereof;
FIG. 7 is a bottom plan view thereof; and,
FIG. 8 is another side perspective view thereof.

1 Claim, 5 Drawing Sheets

(56) **References Cited**
U.S. PATENT DOCUMENTS

2,188,613	A *	1/1940	Reedy	4/287
2,288,767	A *	7/1942	Young	4/692
2,739,317	A *	3/1956	Abresch	4/679
2,763,012	A *	9/1956	Duncan	4/287
2,838,769	A *	6/1958	Lengyel	4/287
3,007,179	A *	11/1961	Bertulli	4/287
3,027,569	A *	4/1962	Lantz et al.	4/287
3,509,586	A *	5/1970	Politz	4/292
3,800,339	A *	4/1974	Bergin	4/287
3,813,708	A *	6/1974	Hamburg	4/286
3,911,508	A *	10/1975	Goldberg	4/287
4,359,788	A *	11/1982	Liou	4/287
4,571,751	A *	2/1986	Barlow	4/288
4,692,948	A *	9/1987	Martin	4/286
4,706,306	A *	11/1987	Smith	4/286
5,165,118	A *	11/1992	Cendrowski	4/287
5,265,281	A *	11/1993	McAlpine	4/287



(56)

References Cited

U.S. PATENT DOCUMENTS

D630,307 S *	1/2011	Rigolio	D23/262	2007/0000037 A1 *	1/2007	Wolf	4/286
8,011,030 B2 *	9/2011	Li	4/287	2007/0180602 A1 *	8/2007	Lin	4/287
8,117,685 B2 *	2/2012	Escobar et al.	4/290	2008/0072387 A1 *	3/2008	Dombrowski	15/105
D677,764 S *	3/2013	Laera	D23/260	2008/0244825 A1 *	10/2008	Delmonico	4/679
8,578,523 B2 *	11/2013	Eichler et al.	4/292	2010/0205734 A1 *	8/2010	Peterson	4/287
2003/0182721 A1 *	10/2003	Li	4/287	2012/0005814 A1 *	1/2012	Escobar et al.	4/290
2006/0207003 A1 *	9/2006	Harmes	4/286	2014/0053327 A1 *	2/2014	Lee	4/287
				2014/0053328 A1 *	2/2014	Chen	4/287
				2014/0075662 A1 *	3/2014	Gayoso	4/287

* cited by examiner

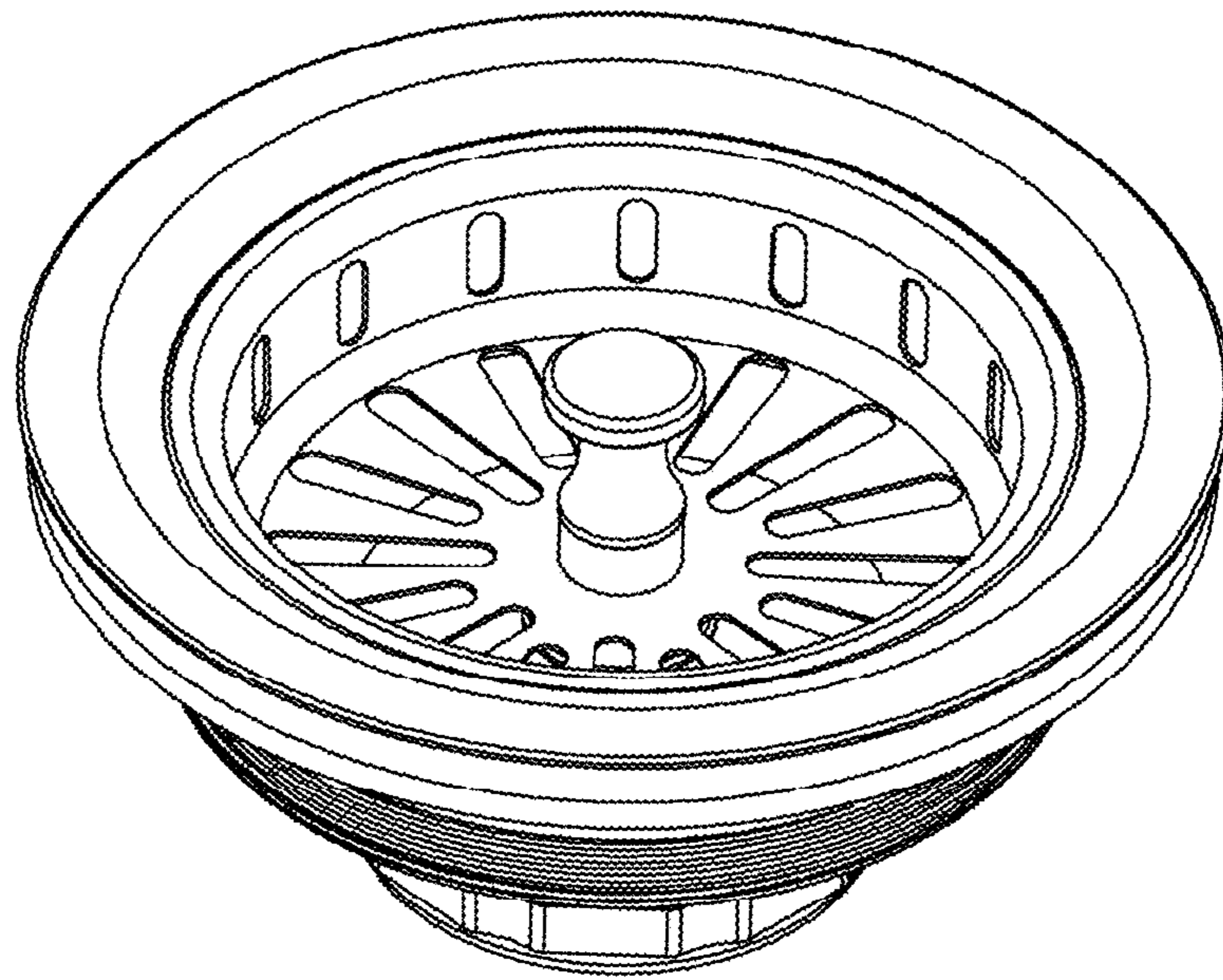


Fig. 1

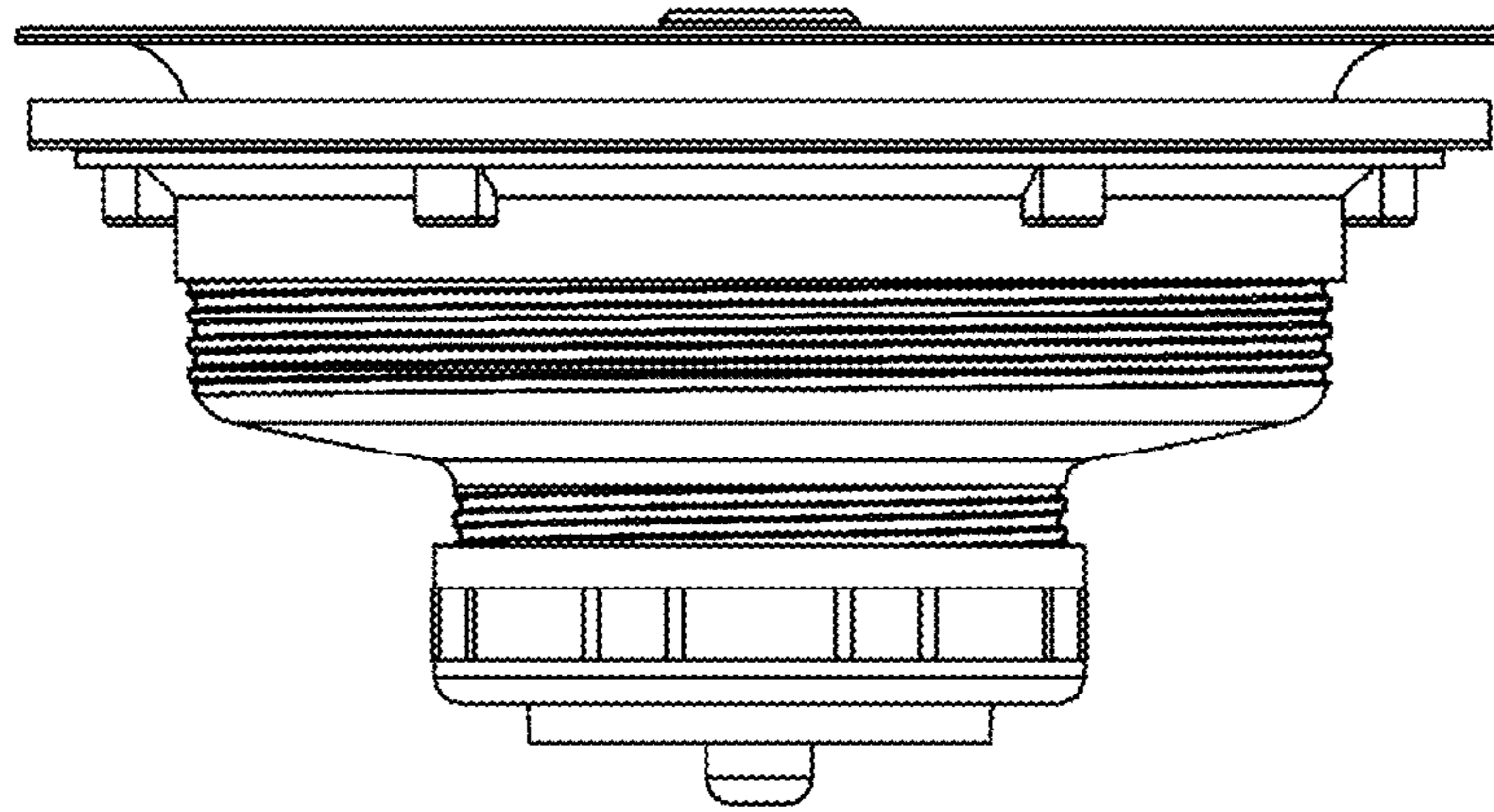


Fig. 2

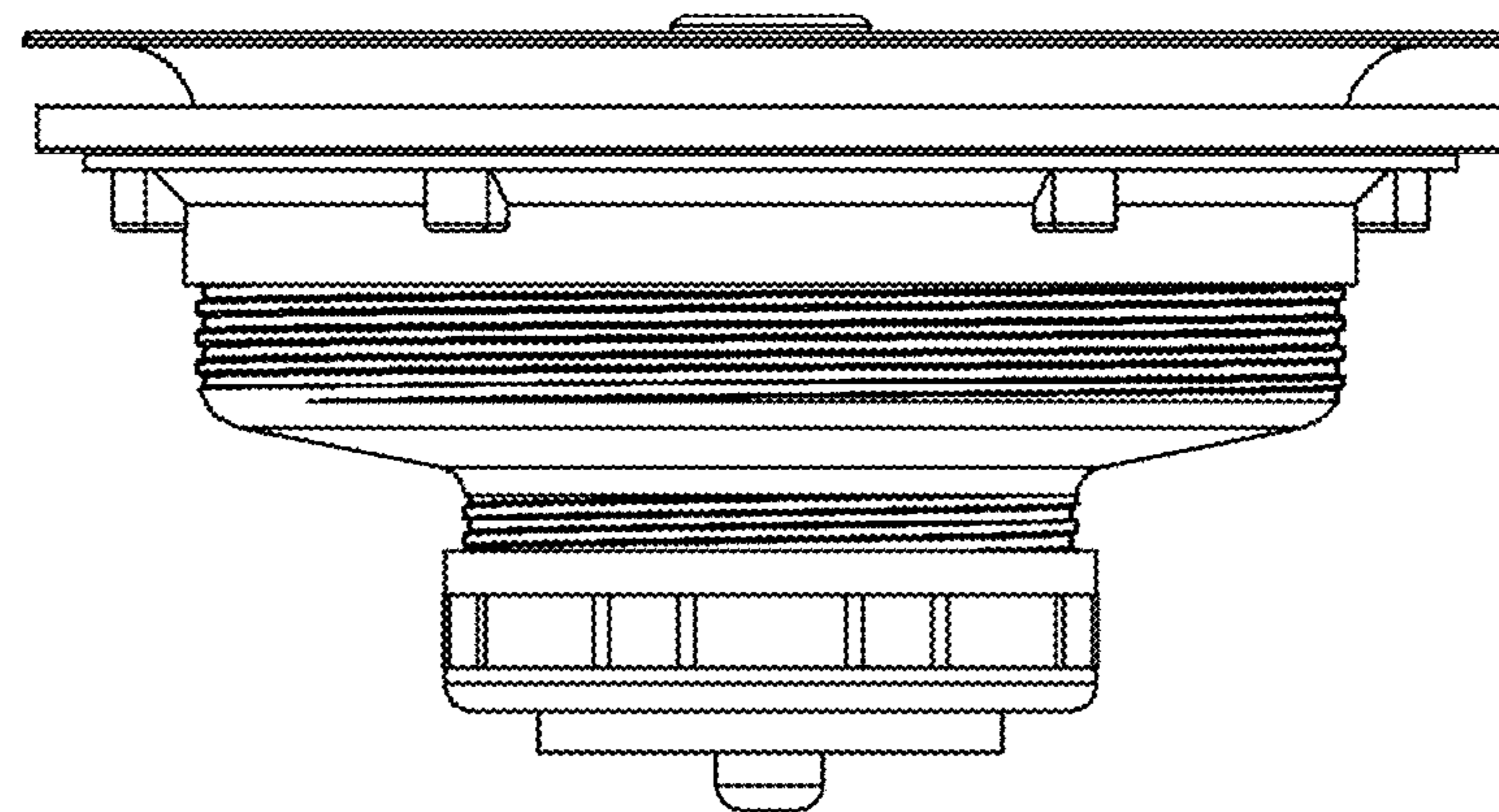


Fig. 3

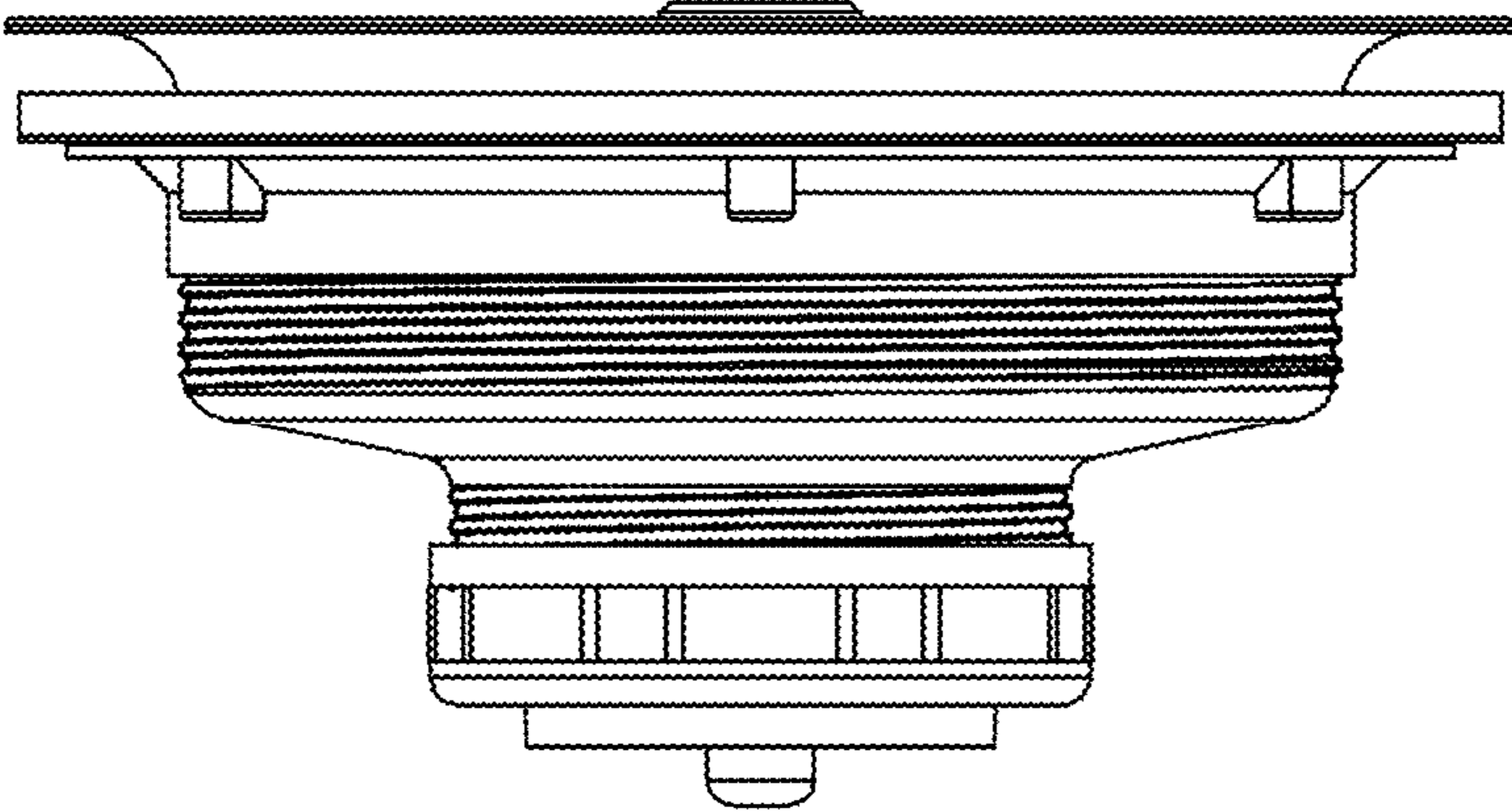


Fig. 4

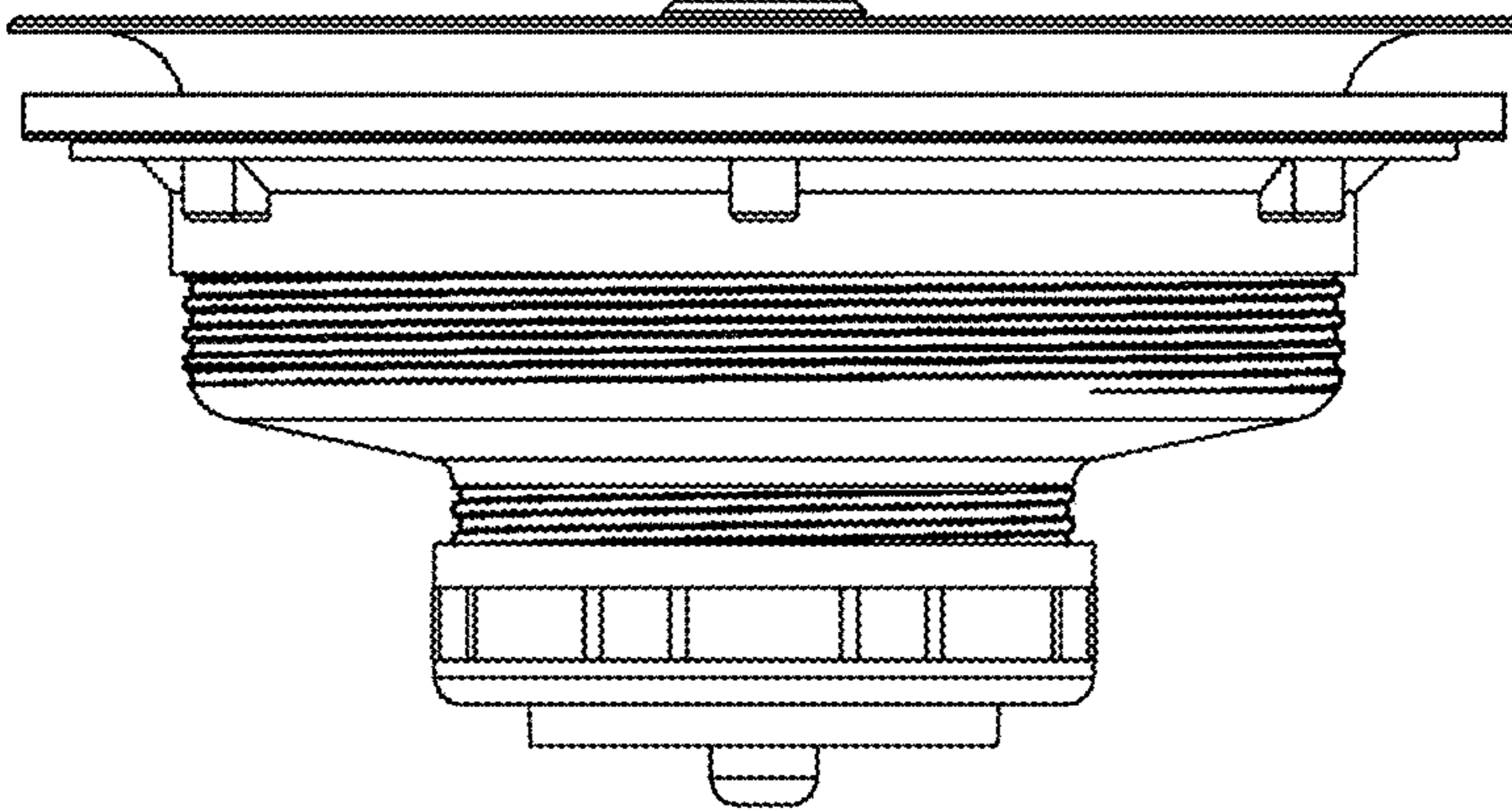


Fig. 5

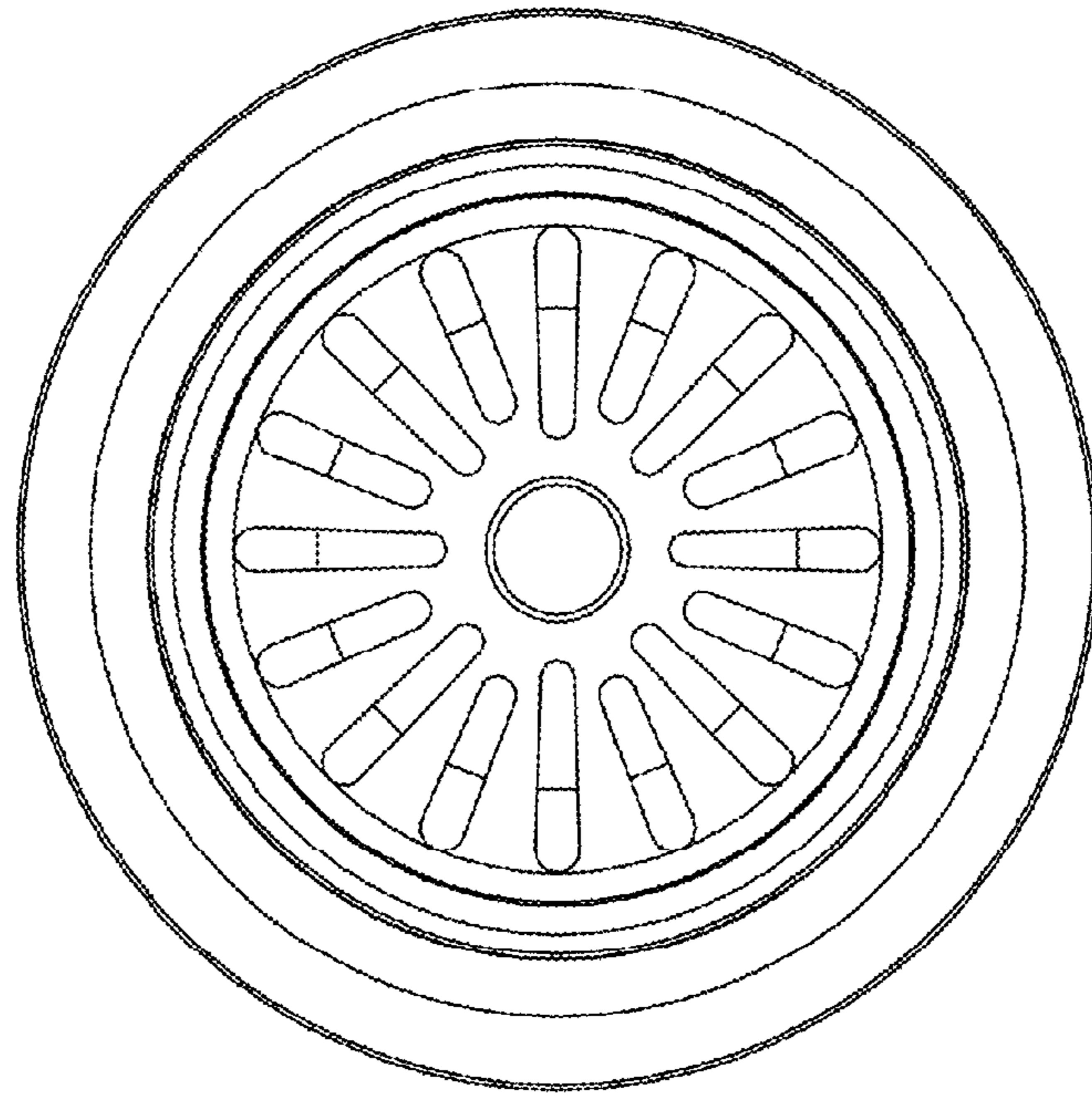


Fig. 6

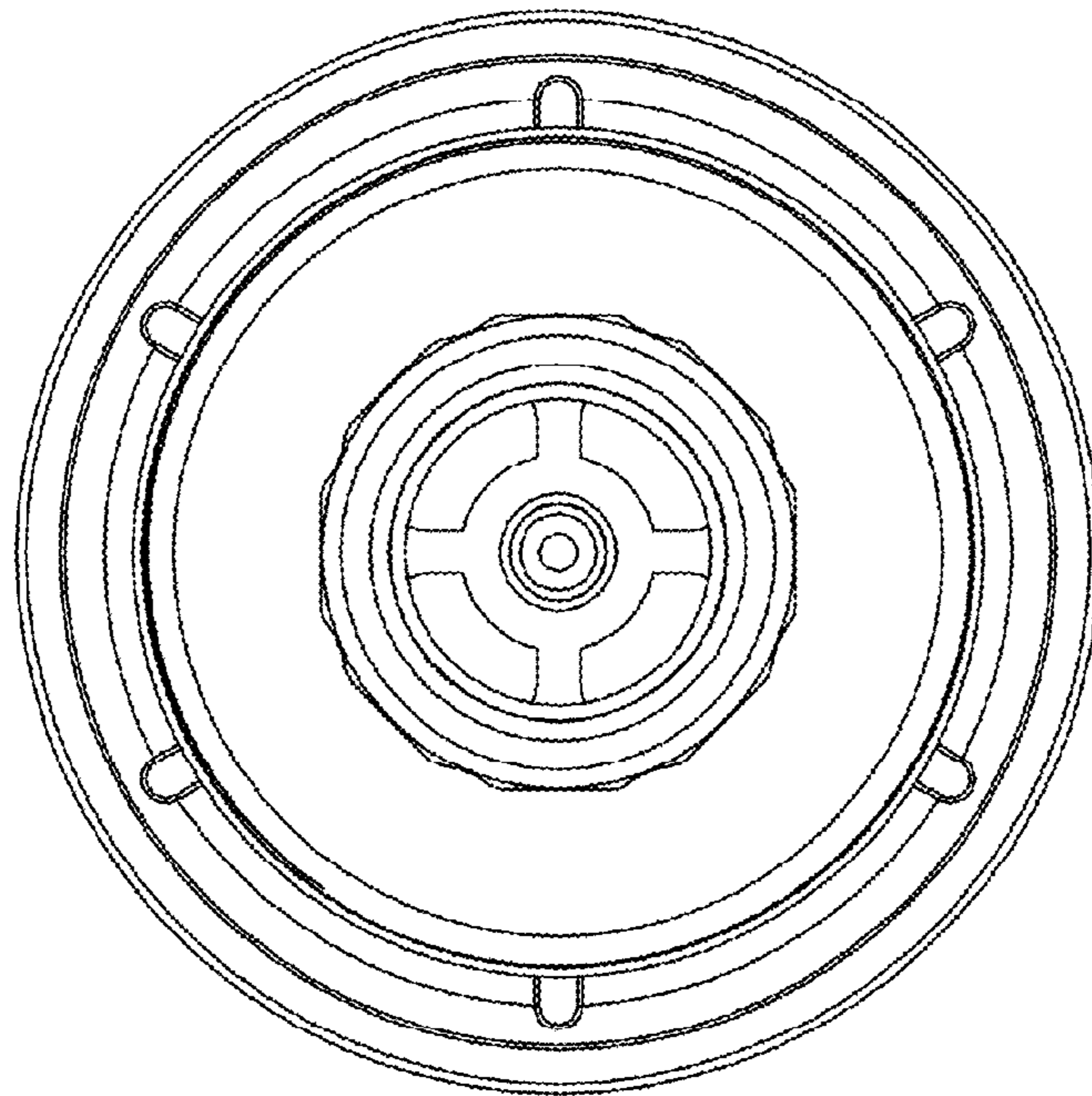


Fig. 7

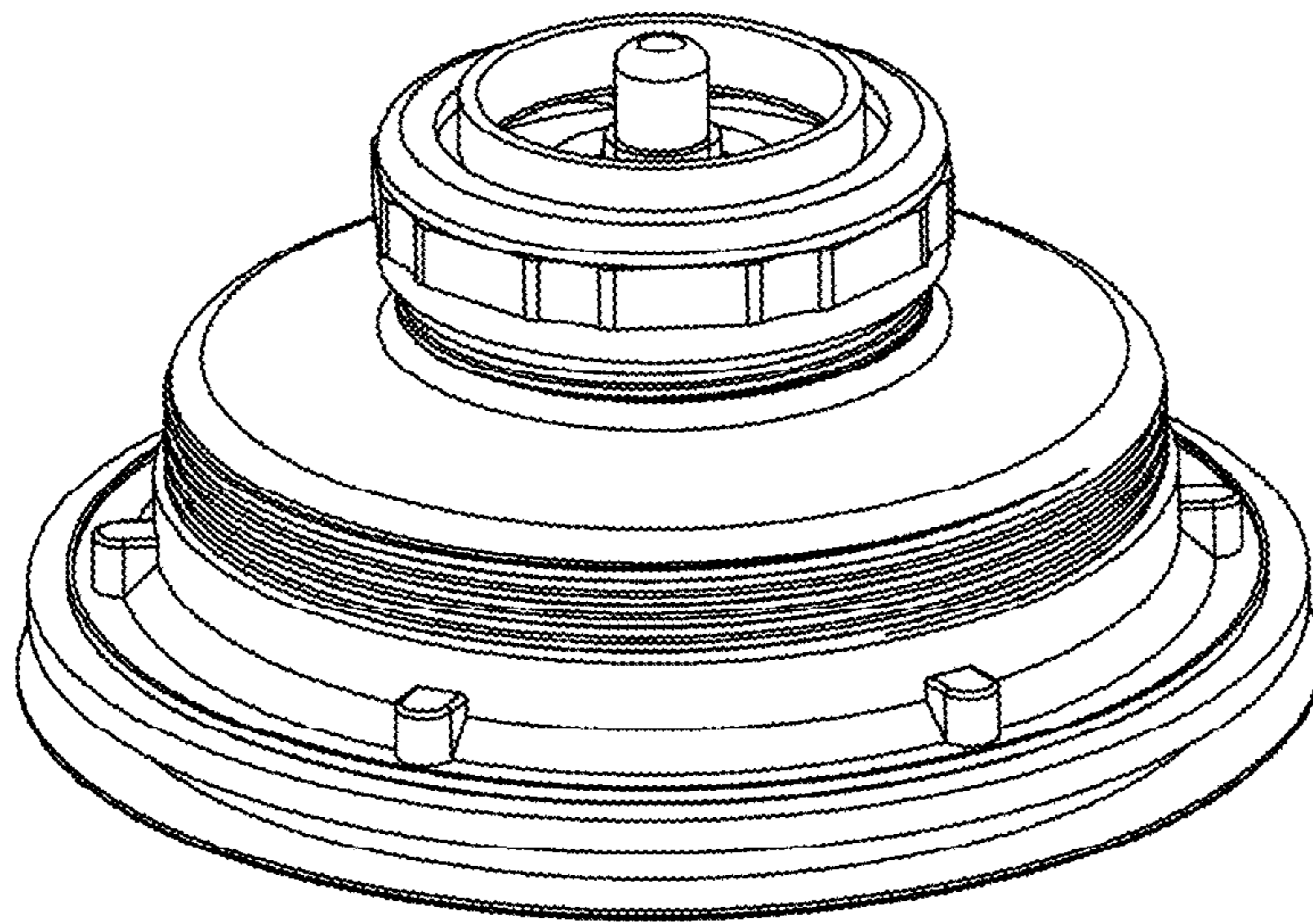


Fig. 8