



US00D728076S

(12) **United States Design Patent**
Standefer et al.

(10) **Patent No.:** **US D728,076 S**
(45) **Date of Patent:** **** Apr. 28, 2015**

(54) **TWO HOLE FAUCET**

(71) Applicant: **Waterworks IP Company, LLC,**
Danbury, CT (US)

(72) Inventors: **Robin Standefer,** New York, NY (US);
Stephen Alesch, New York, NY (US)

(73) Assignee: **Waterworks IP Co., LLC,** Danbury, CT
(US)

(**) Term: **14 Years**

(21) Appl. No.: **29/496,858**

(22) Filed: **Jul. 17, 2014**

Related U.S. Application Data

(60) Continuation of application No. 29/477,783, filed on
Dec. 26, 2013, now Pat. No. Des. 712,012, which is a
division of application No. 29/428,543, filed on Jul.
31, 2012, now Pat. No. Des. 696,750.

(51) **LOC (10) Cl.** **23-01**

(52) **U.S. Cl.**
USPC **D23/255**

(58) **Field of Classification Search**
USPC D23/238–243, 249–255, 257;
4/675–678; 137/80

See application file for complete search history.

(56) **References Cited**

U.S. PATENT DOCUMENTS

D81,314 S 6/1930 Kersten
D540,918 S 4/2007 Haug et al.
D585,529 S 1/2009 Eilmus
D620,560 S 7/2010 Shieh

OTHER PUBLICATIONS

Canadian Examiner's Report issued in Canadian Application No.
150958 dated Feb. 28, 2014.

Primary Examiner — Robert Delehanty

(74) *Attorney, Agent, or Firm* — McDermott Will & Emery
LLP

(57) **CLAIM**

The ornamental design for a two hole faucet, as shown and
described.

DESCRIPTION

FIG. 1 is a front perspective view of a two hole faucet, show-
ing the new design;

FIG. 2 is a front view of the two hole faucet;

FIG. 3 is a rear view of the two hole faucet;

FIG. 4 is a side view of the two hole faucet;

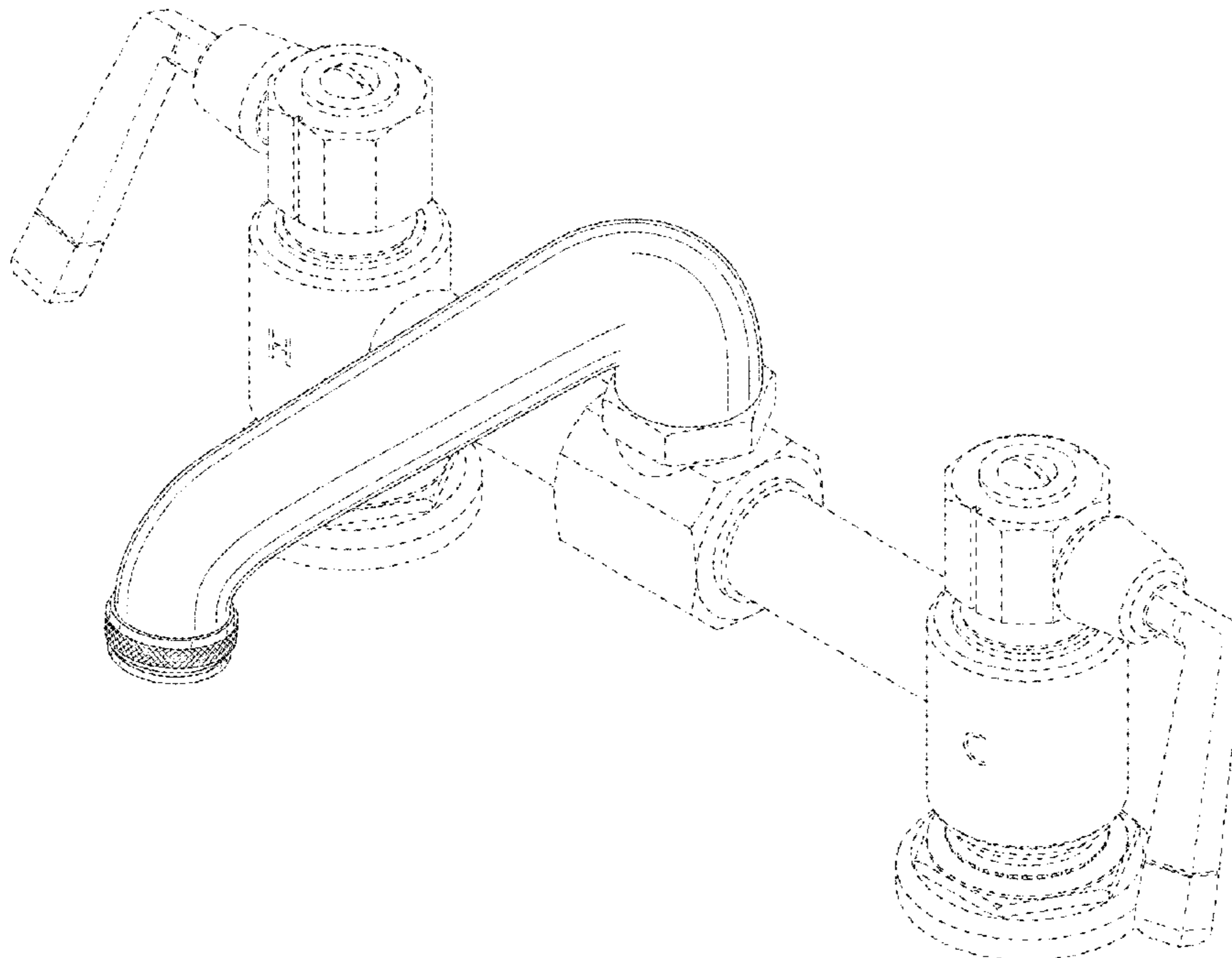
FIG. 5 is another side view of the two hole faucet;

FIG. 6 is a top view of the two hole faucet; and,

FIG. 7 is a bottom view of the two hole faucet.

The broken lines showing various elements of the two hole
faucet are included for the purpose of illustrating non-
claimed subject matter and form no part of the claimed
design.

1 Claim, 7 Drawing Sheets



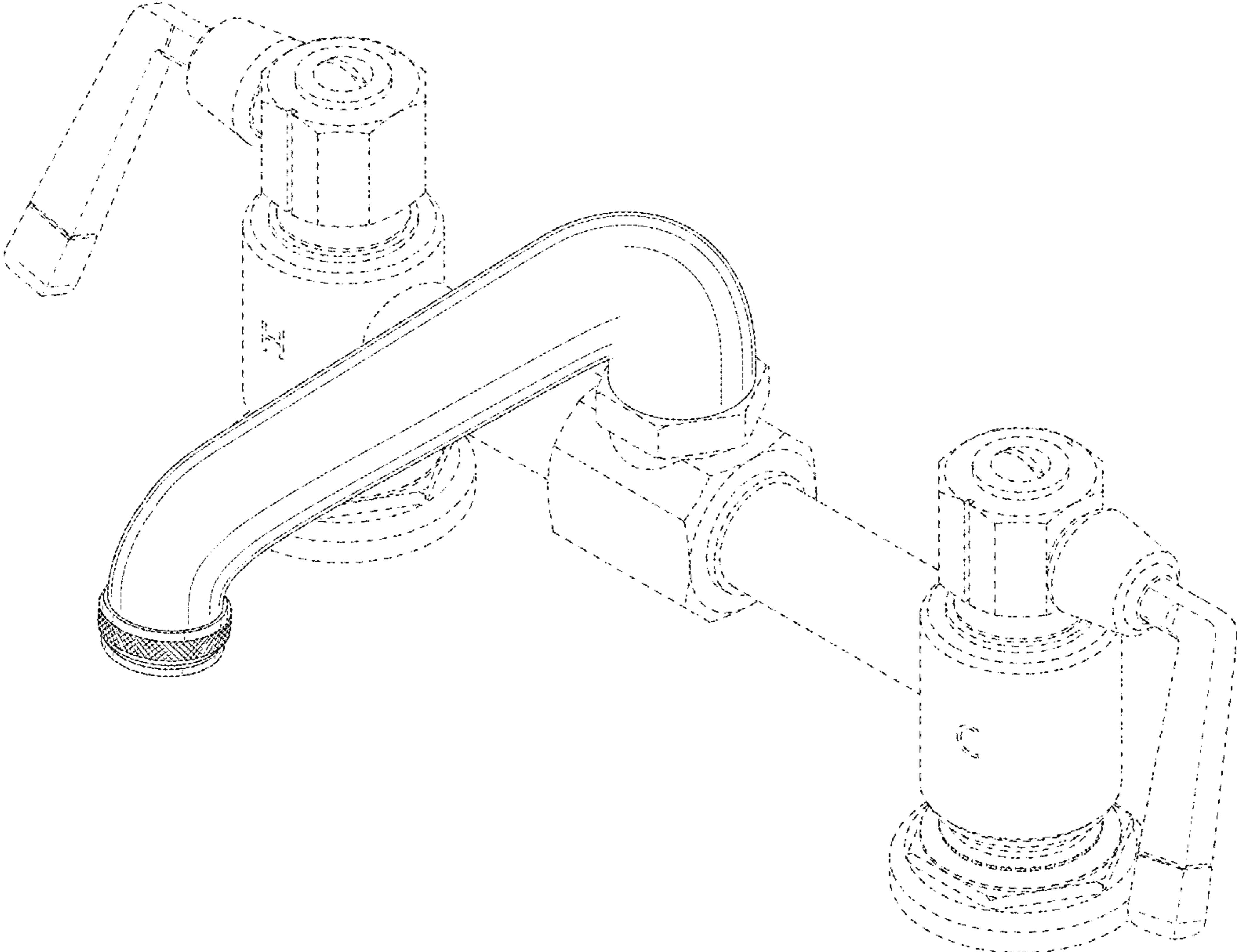


FIG. 1

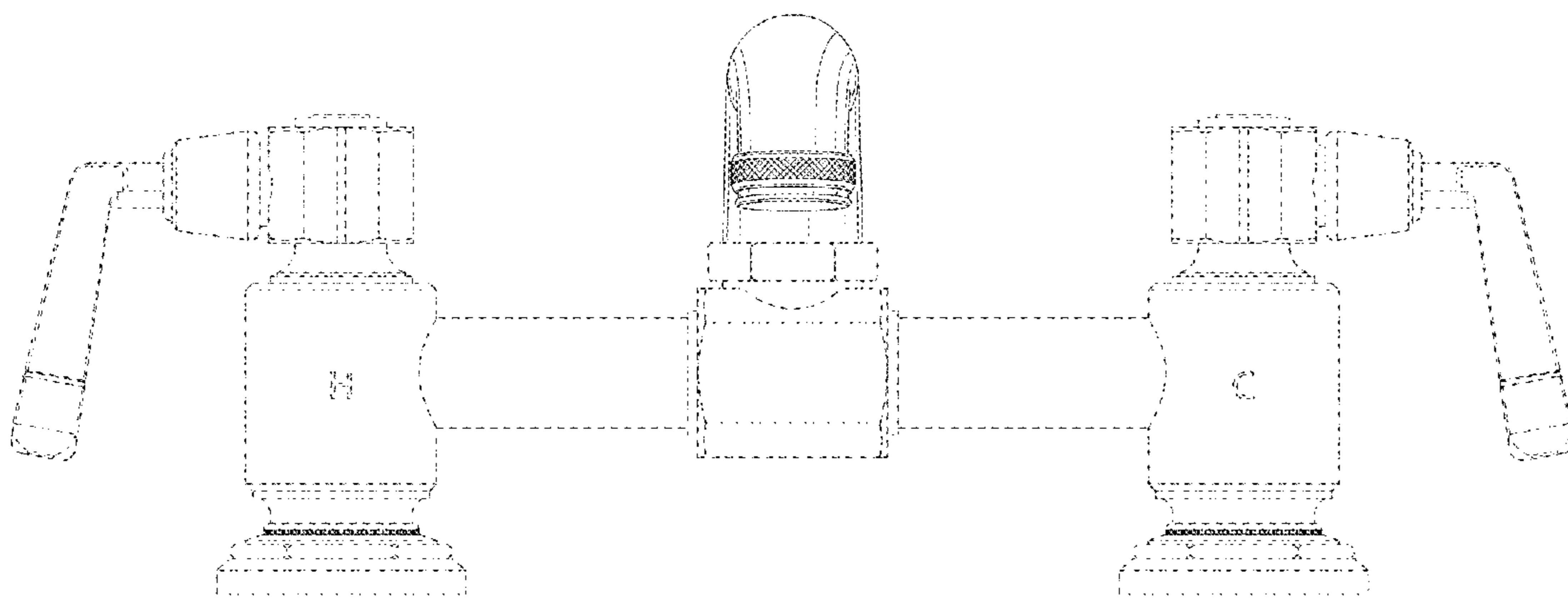


FIG. 2

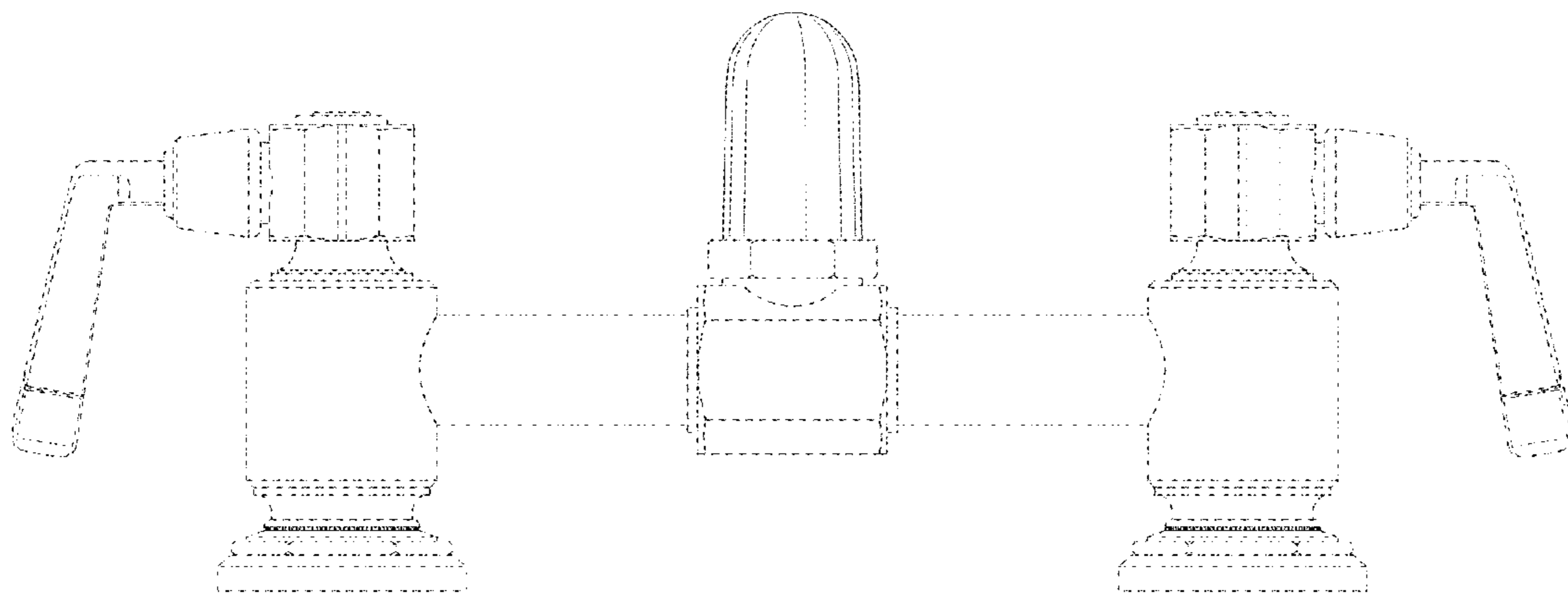


FIG. 3

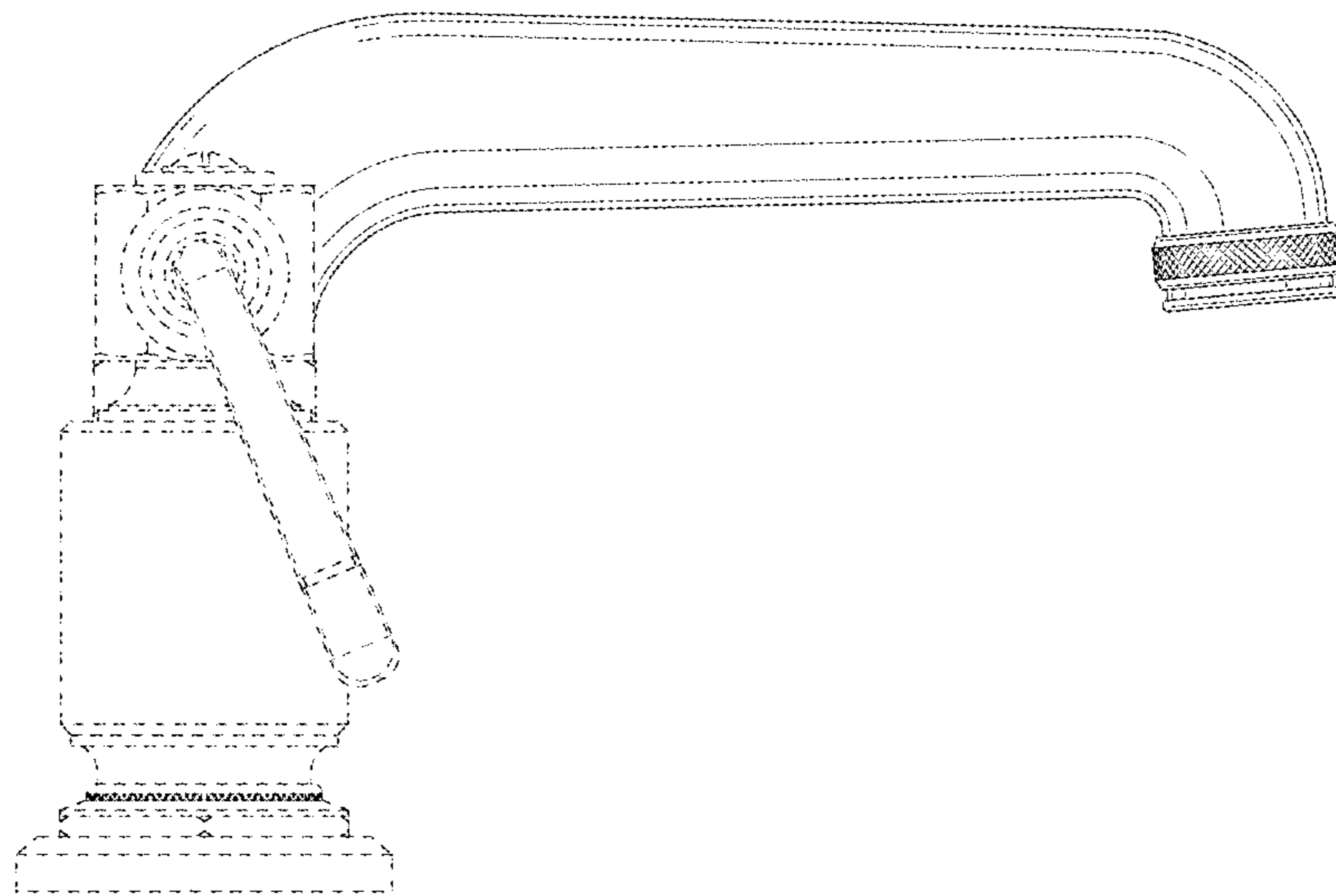


FIG. 4

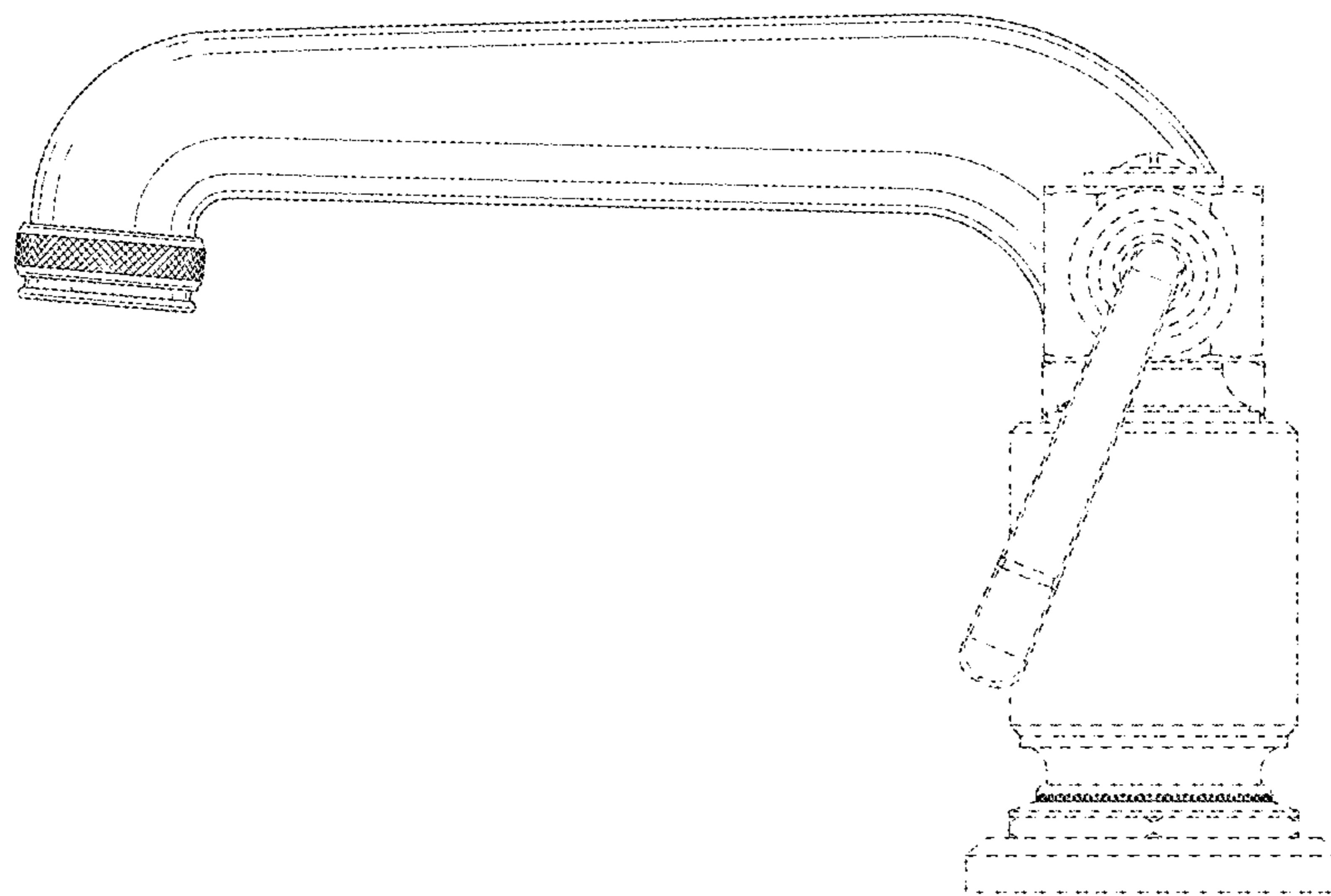


FIG. 5

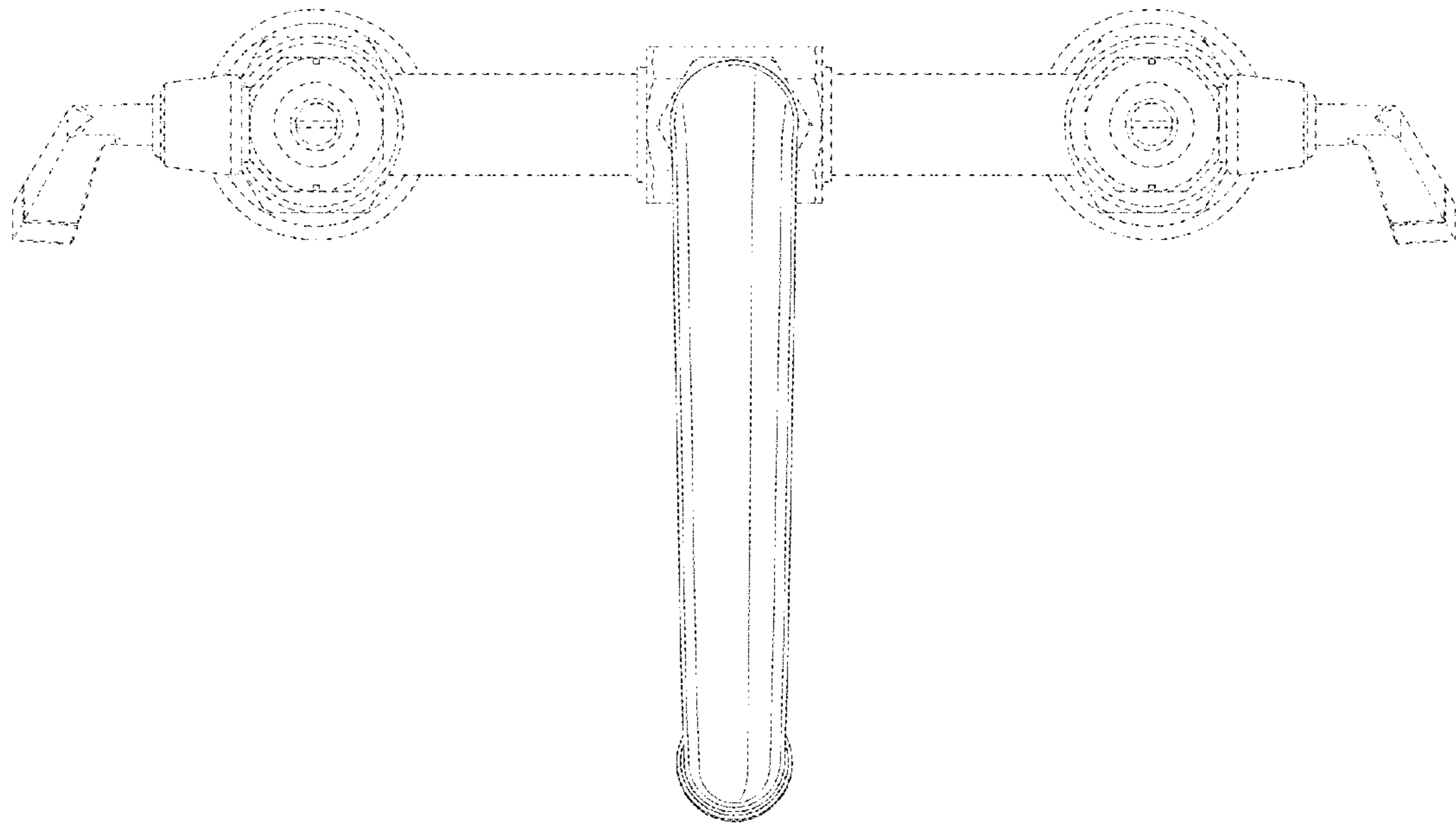


FIG. 6

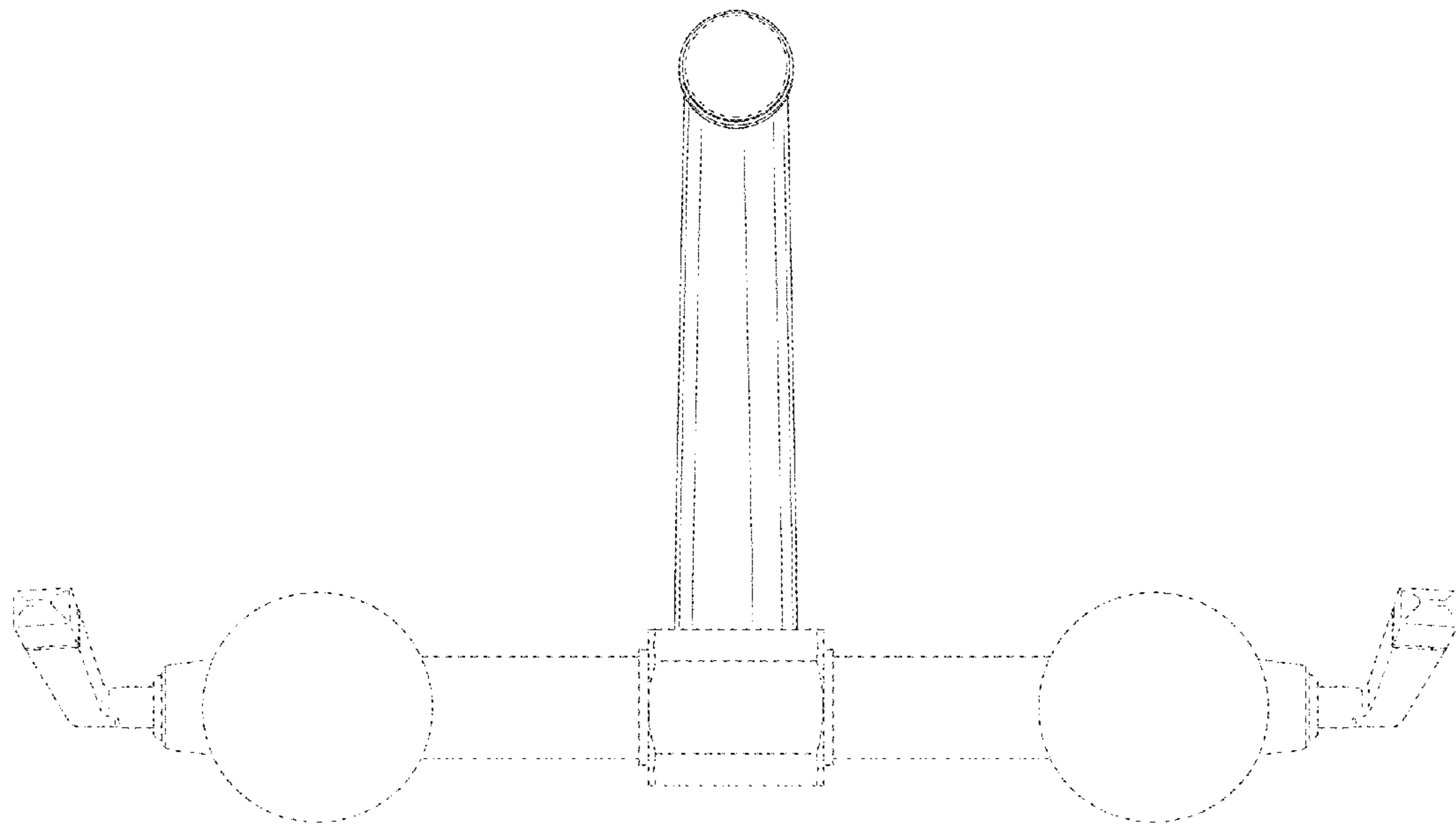


FIG. 7