

US00D728072S

(12) **United States Design Patent**
Alexander et al.

(10) **Patent No.:** **US D728,072 S**

(45) **Date of Patent:** **** Apr. 28, 2015**

(54) **VALVE**

(71) Applicant: **FNA IP Holdings, Inc.**, Elk Grove Village, IL (US)

(72) Inventors: **Gus Alexander**, Inverness, IL (US);
James E. Welch, Jr., Bentonville, AR (US);
Tyson Michael VanCleave, Centerton, AR (US)

(73) Assignee: **FNA IP Holdings, Inc.**, Elk Grove Village, IL (US)

(**) Term: **14 Years**

(21) Appl. No.: **29/477,549**

(22) Filed: **Dec. 23, 2013**

(51) **LOC (10) Cl.** **23-01**

(52) **U.S. Cl.**

USPC **D23/233**

(58) **Field of Classification Search**

CPC F16K 1/00; F16K 15/00; F16K 15/18;
F16K 15/026; F16K 15/044; B60T 17/04

USPC D23/233-250; D15/5, 7; 137/15.04,
137/15.08, 515, 7, 859, 843, 332, 529,
137/533.17, 540, 54, 543.17, 512.1;
251/333

See application file for complete search history.

(56) **References Cited**

U.S. PATENT DOCUMENTS

3,157,191 A * 11/1964 Garrett et al. 137/332
4,537,384 A * 8/1985 Petersen et al. 137/542

4,667,697 A * 5/1987 Crawford 137/543.17
6,513,546 B2 * 2/2003 Katsura 137/540
D513,967 S * 1/2006 Terrill et al. D8/356
D576,704 S * 9/2008 Gilcher D23/233
D585,522 S * 1/2009 Geideman et al. D23/233
D599,434 S * 9/2009 Stenberg D23/233
D620,081 S * 7/2010 Geideman et al. D23/233
D633,179 S * 2/2011 Geideman et al. D23/233
D645,053 S * 9/2011 Shea et al. D15/5
D691,638 S * 10/2013 Alexander et al. D15/7
D692,534 S * 10/2013 Fangmeier D23/233
D700,212 S * 2/2014 Alexander et al. D15/7
D707,795 S * 6/2014 Huang D23/233
2008/0083463 A1 * 4/2008 Fazekas et al. 137/512.1

* cited by examiner

Primary Examiner — Cynthia Ramirez

Assistant Examiner — Gino Colan

(74) *Attorney, Agent, or Firm* — Holland & Knight LLP;
Steven E. Jedlinski, Esq.; Jeffrey T. Placker, Esq.

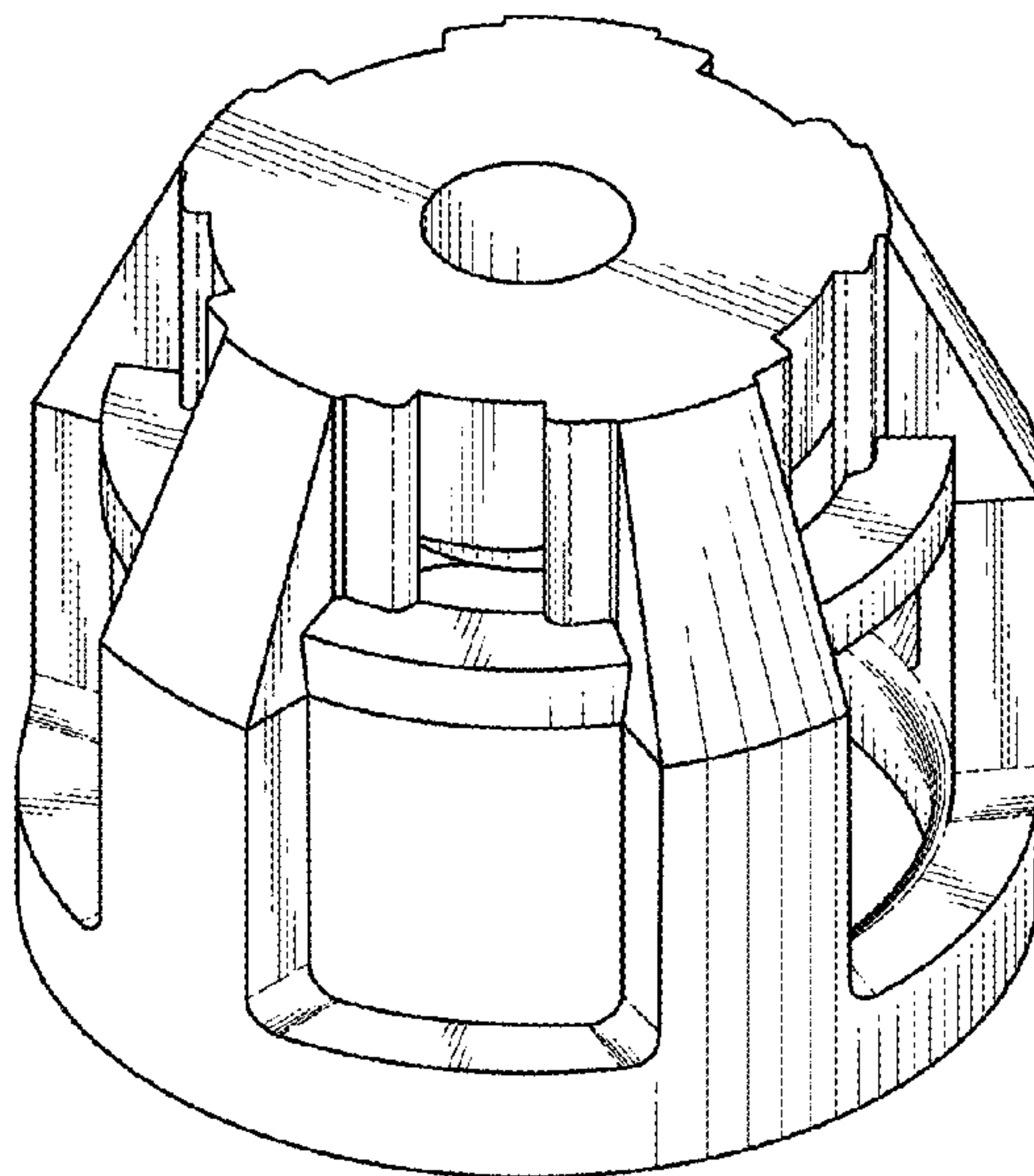
(57) **CLAIM**

The ornamental design for a valve, as shown and described.

DESCRIPTION

FIG. 1 is a perspective view of one embodiment of a valve;
FIG. 2 is a top plan view of the valve of FIG. 1;
FIG. 3 is a bottom plan view of the valve of FIG. 1;
FIG. 4 is a front elevation view of the valve of FIG. 1;
FIG. 5 is a rear elevation view of the valve of FIG. 1;
FIG. 6 is a right side elevation view of the valve of FIG. 1; and,
FIG. 7 is a left side elevation view of the valve of FIG. 1.

1 Claim, 2 Drawing Sheets



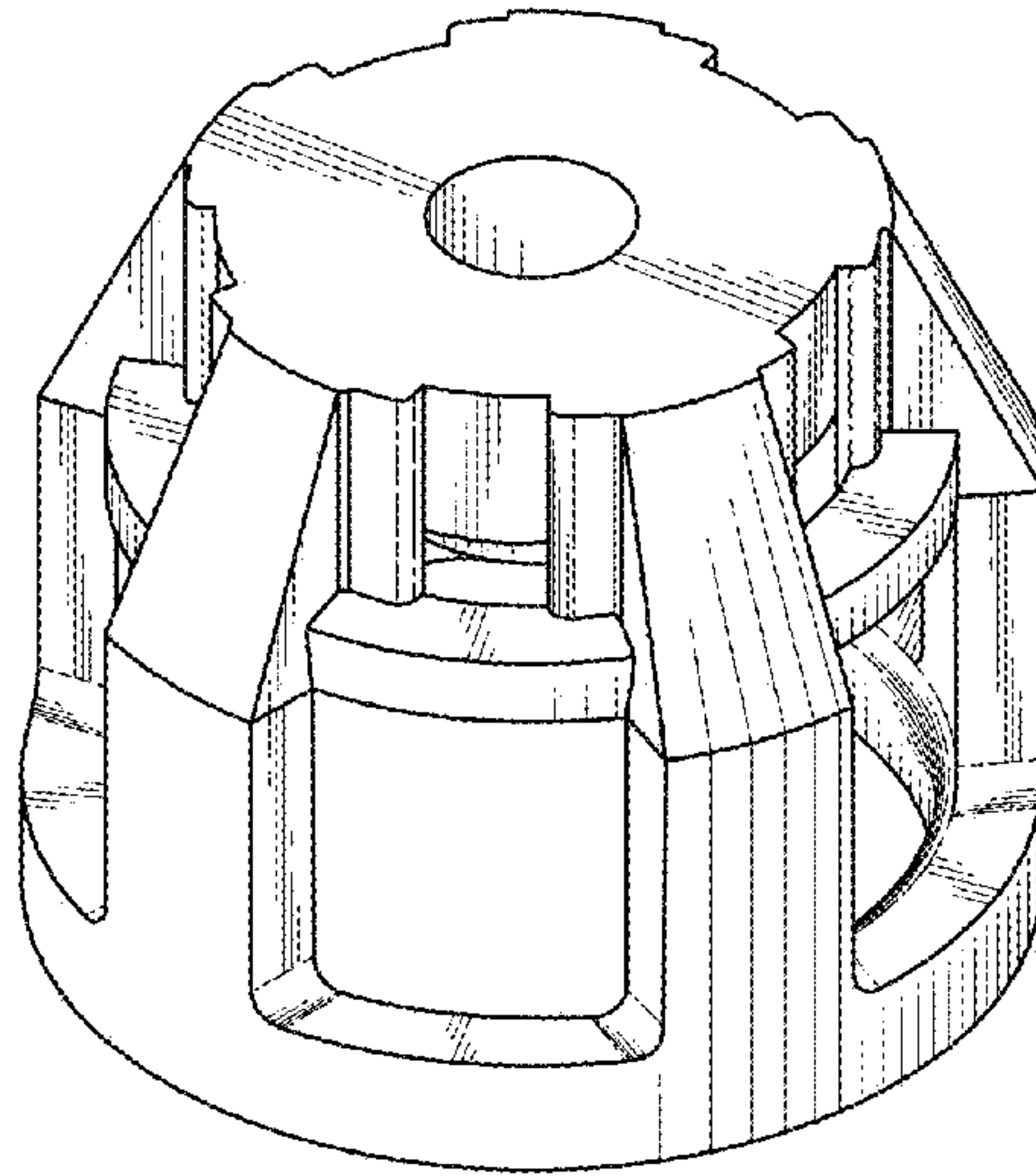


FIG. 1

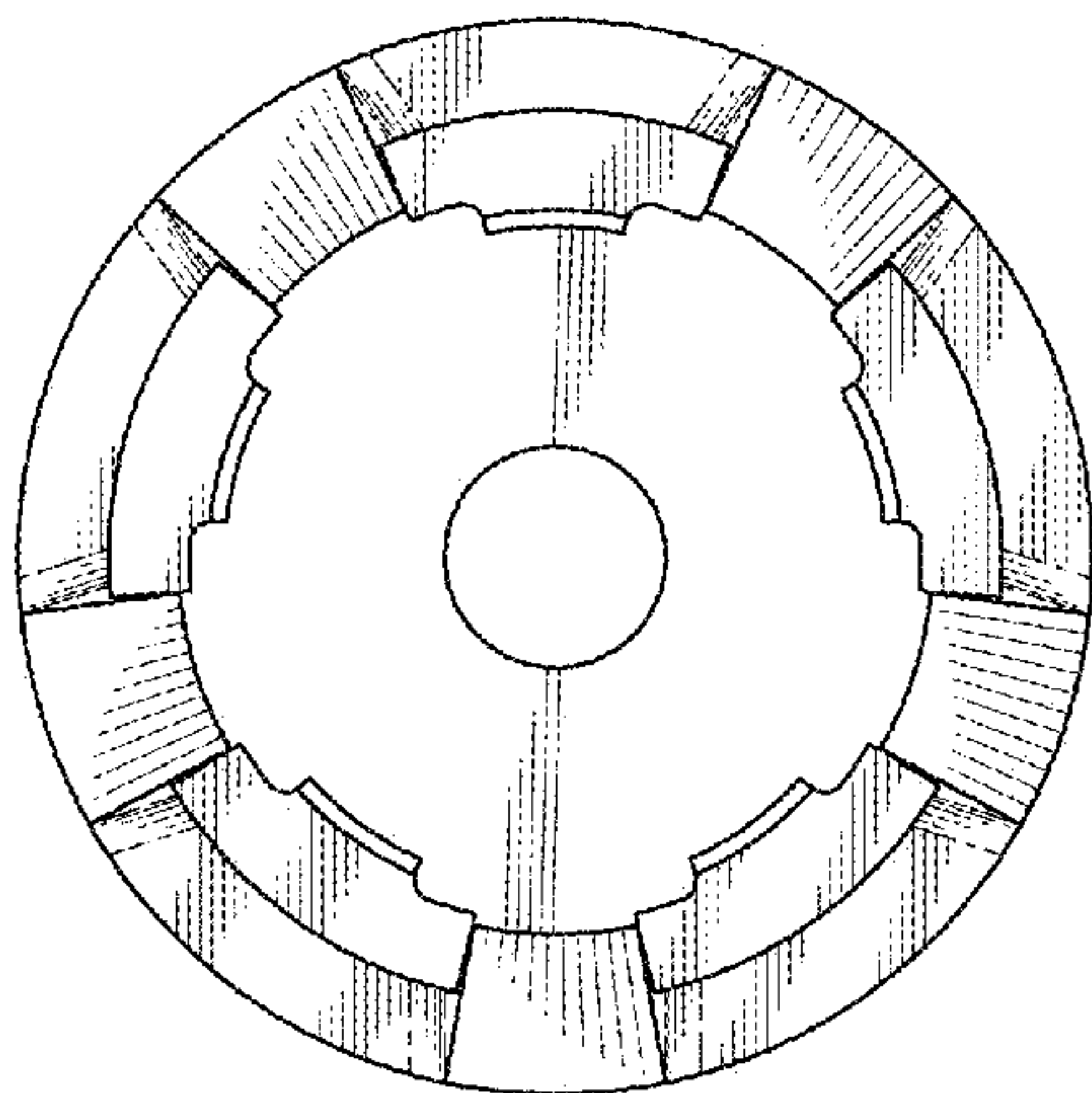


FIG. 2

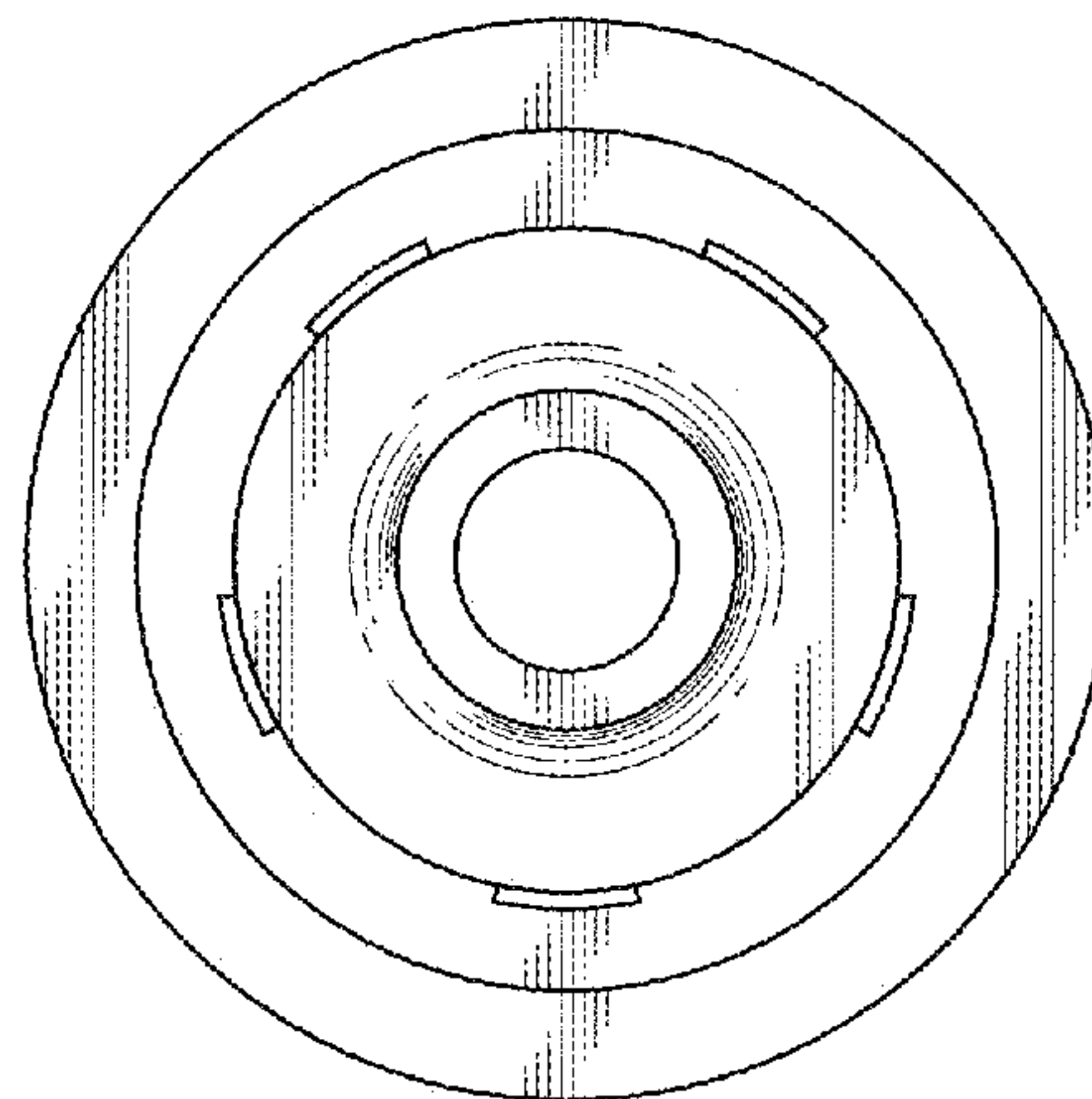


FIG. 3

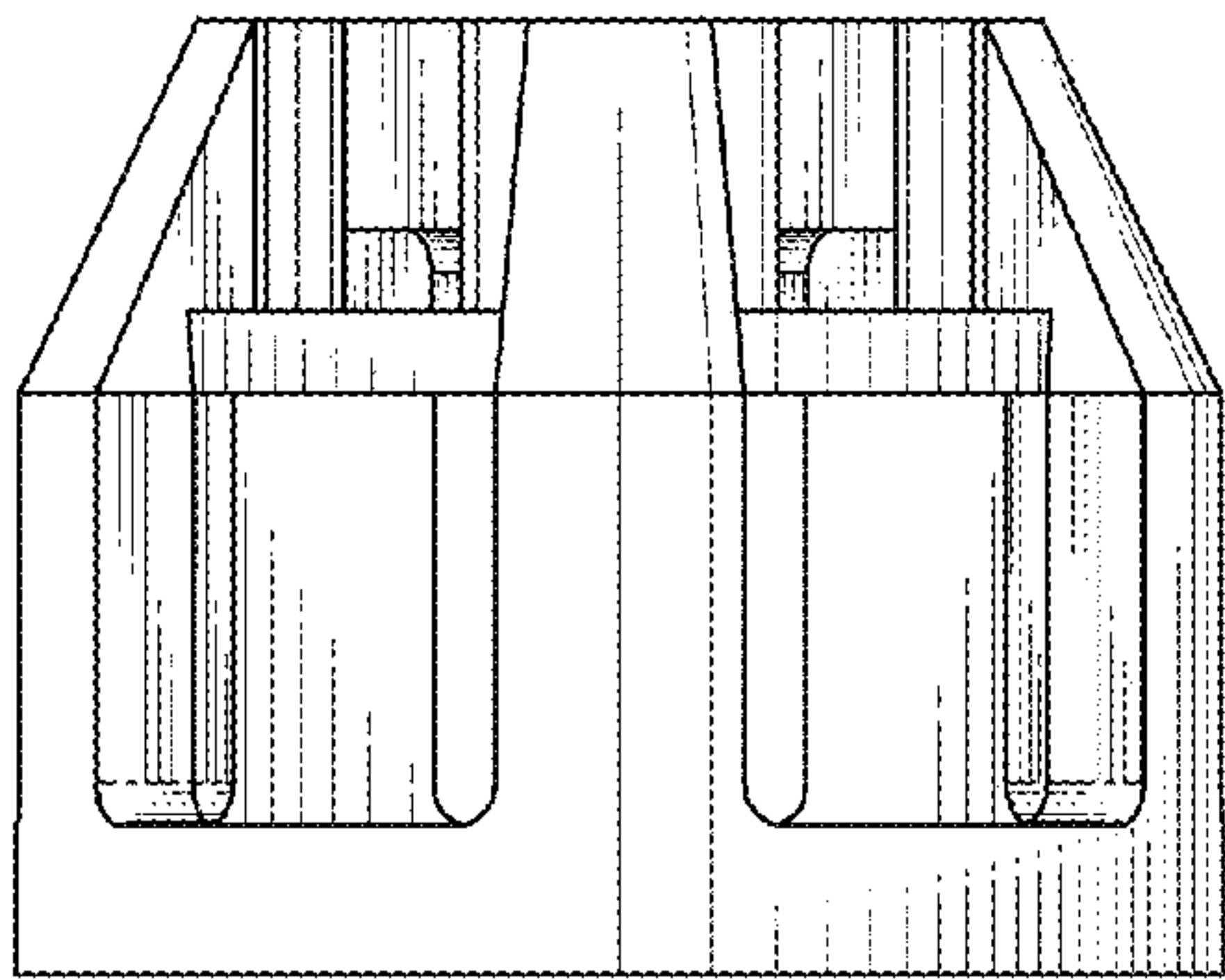


FIG. 4

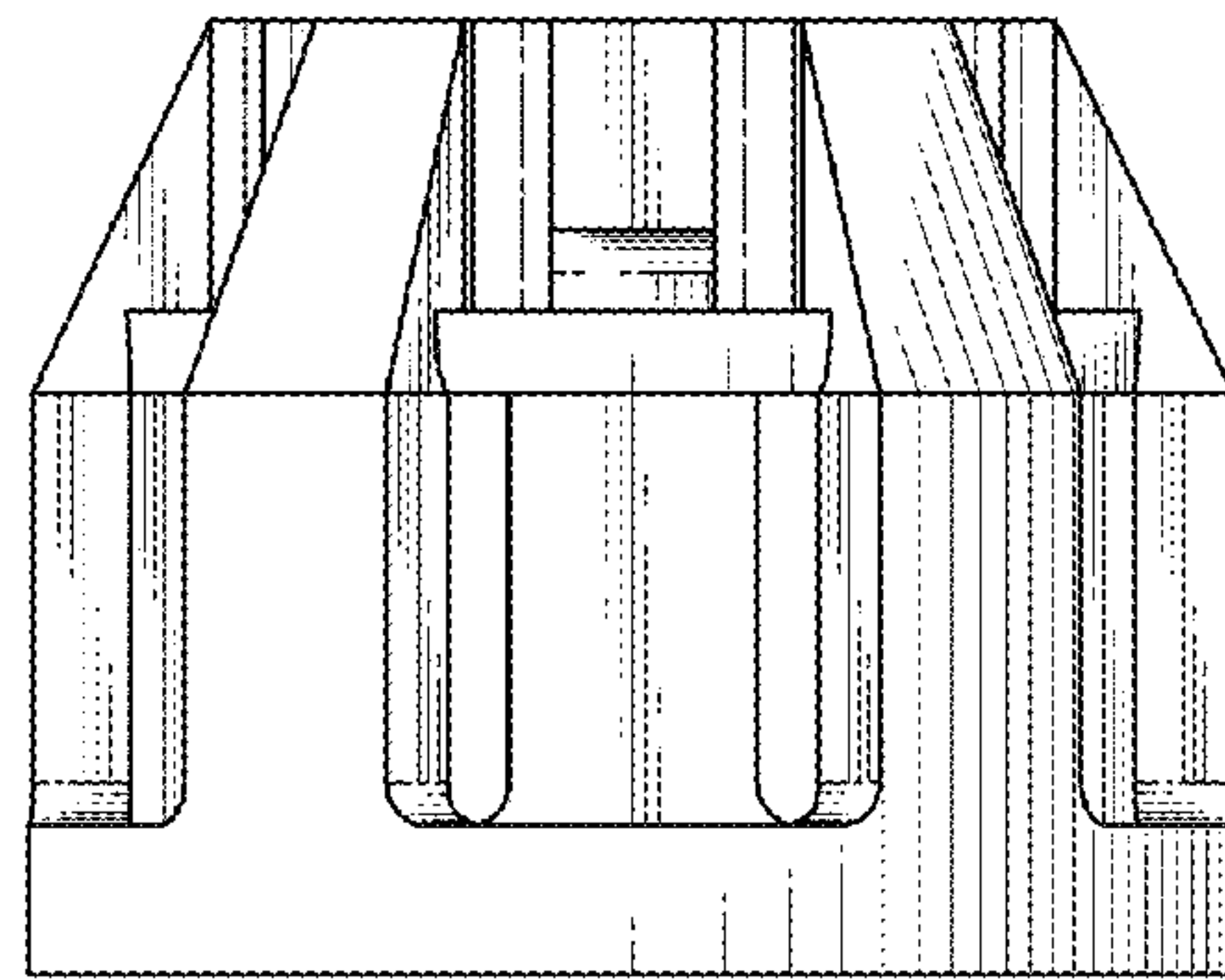


FIG. 5

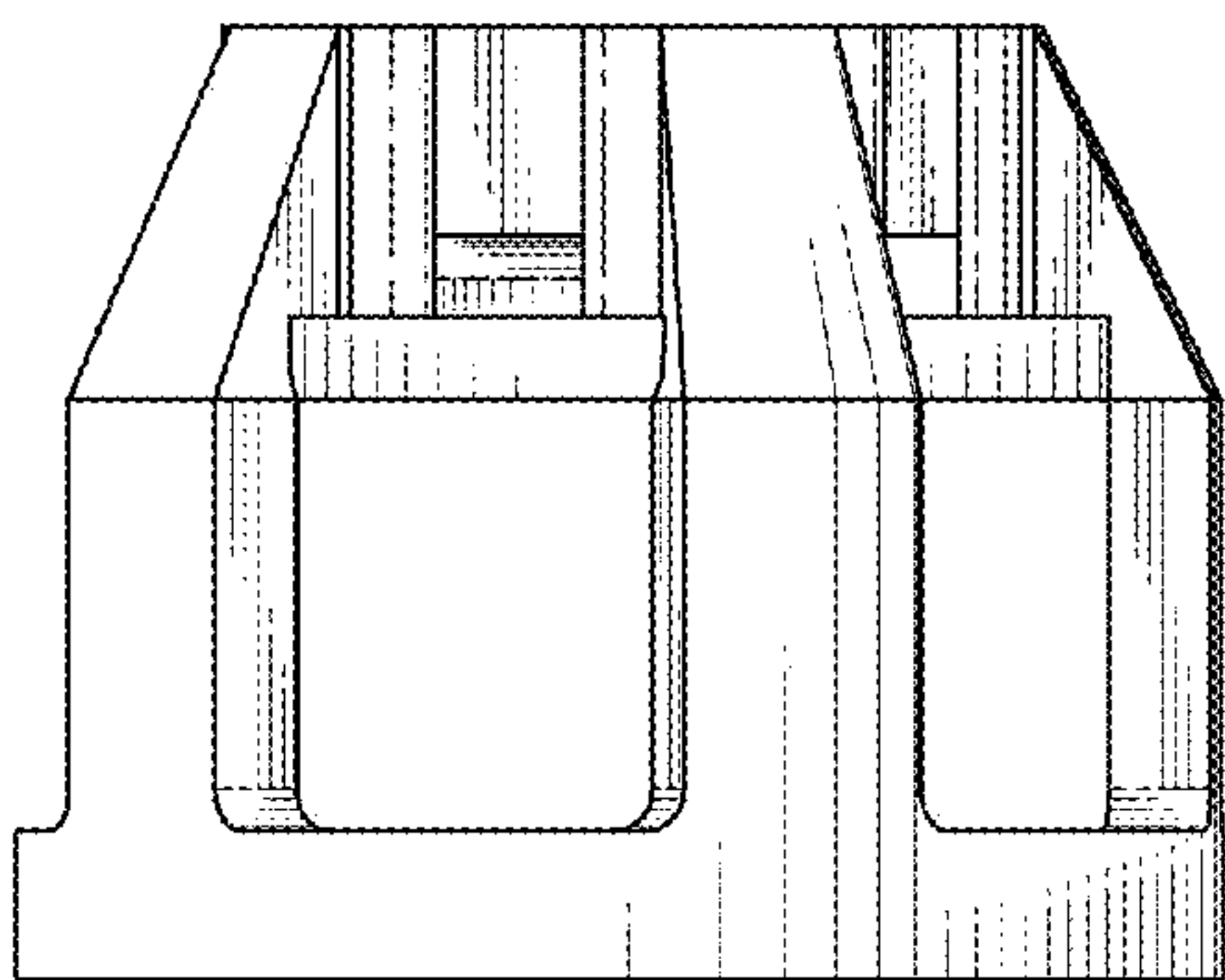


FIG. 6

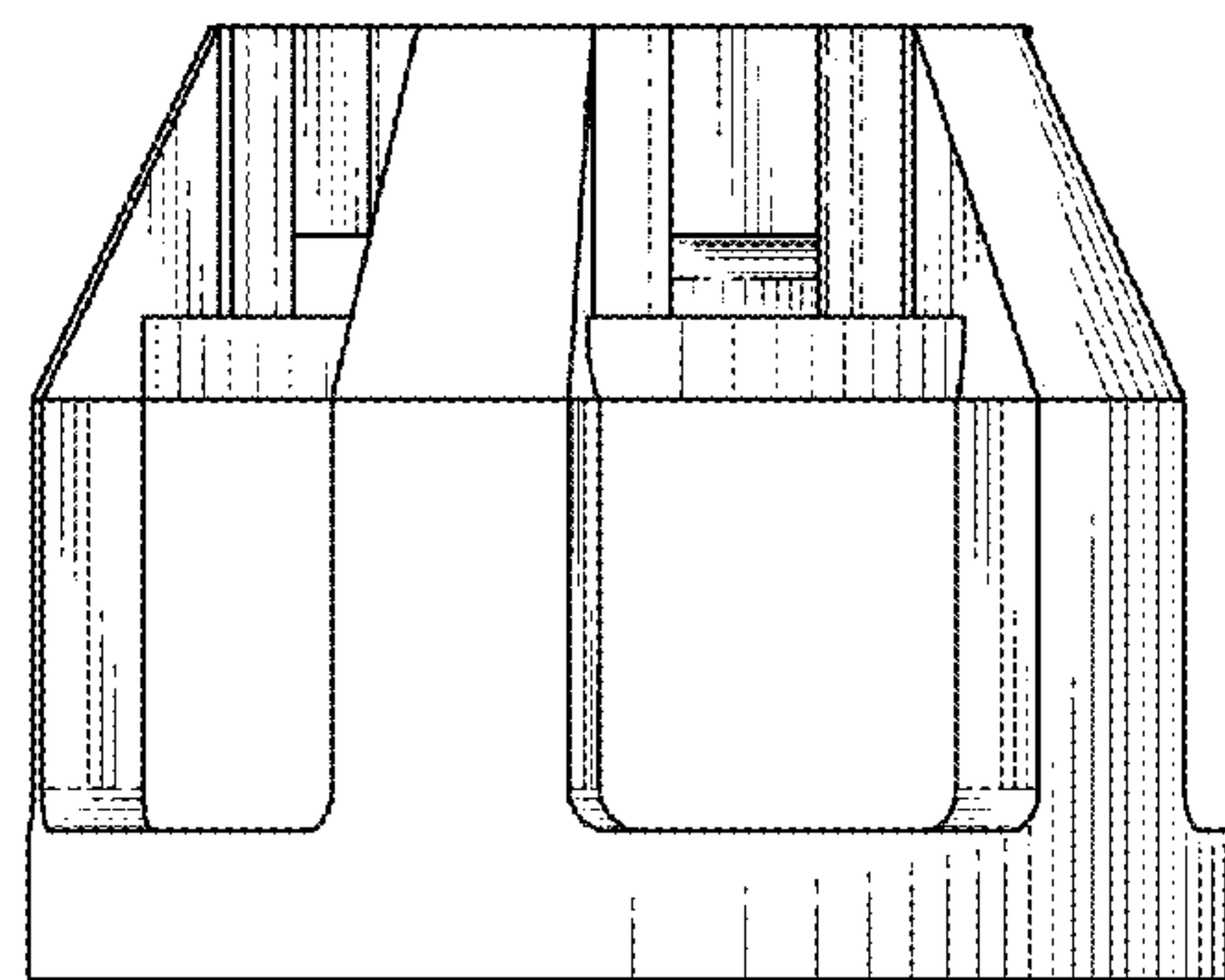


FIG. 7