



US00D728071S

(12) **United States Design Patent**
Beland et al.

(10) **Patent No.:** **US D728,071 S**
(45) **Date of Patent:** **** Apr. 28, 2015**

(54) **HVAC ACTUATOR**

2,465,162 A 3/1949 Lockwood
2,616,452 A 11/1952 Clay et al.
2,745,360 A 5/1956 Lunde

(71) Applicant: **Honeywell International Inc.**,
Morristown, NJ (US)

(Continued)

(72) Inventors: **Stephane Joseph Pierre Beland**,
St-Jean-sur-Richelieu (CA); **Virginie Turcotte**,
Montreal (CA); **Kevin Graebel**, Plymouth, MN (US); **David J. Emmons**,
Plymouth, MN (US); **Jack Du**, Tianjin (CN)

FOREIGN PATENT DOCUMENTS

CN 101424504 10/2007
CN 201246519 5/2009

(Continued)

OTHER PUBLICATIONS

(73) Assignee: **Honeywell International Inc.**,
Morristown, NJ (US)

“Smart-T and MT-Adapt-HW Mounting Adapter”, 1 page, prior to
Feb. 23, 2011.

(Continued)

(**) Term: **14 Years**

(21) Appl. No.: **29/477,001**

Primary Examiner — Cynthia Ramirez

Assistant Examiner — Gino Colan

(22) Filed: **Dec. 27, 2013**

(74) *Attorney, Agent, or Firm* — Seager Tufte & Wickhem
LLC.

(51) **LOC (10) Cl.** **23-01**

(52) **U.S. Cl.**

USPC **D23/233**

(58) **Field of Classification Search**

CPC G05B 19/19; G05B 2219/2614; G05B
19/056; G05B 2219/13063; G05B
2219/13076; G05B 2219/13148; G05B
2219/41127; F24F 2013/1433; F24F 13/1426;
F24F 11/04; F24F 13/10; F24F 2011/0093;
F24F 3/1603; F16K 31/046; F16K 5/06
USPC D23/365, 233, 249, 200; 251/129.21,
251/292, 129.13, 129.03, 129.15; 105/307;
116/282; 335/245, 261; 137/112, 375,
137/556; 126/295; 192/141; 403/397;
181/254; D15/5, 199

See application file for complete search history.

(56) **References Cited**

U.S. PATENT DOCUMENTS

940,182 A 11/1909 Morgan et al.
1,613,322 A 1/1927 Goetz

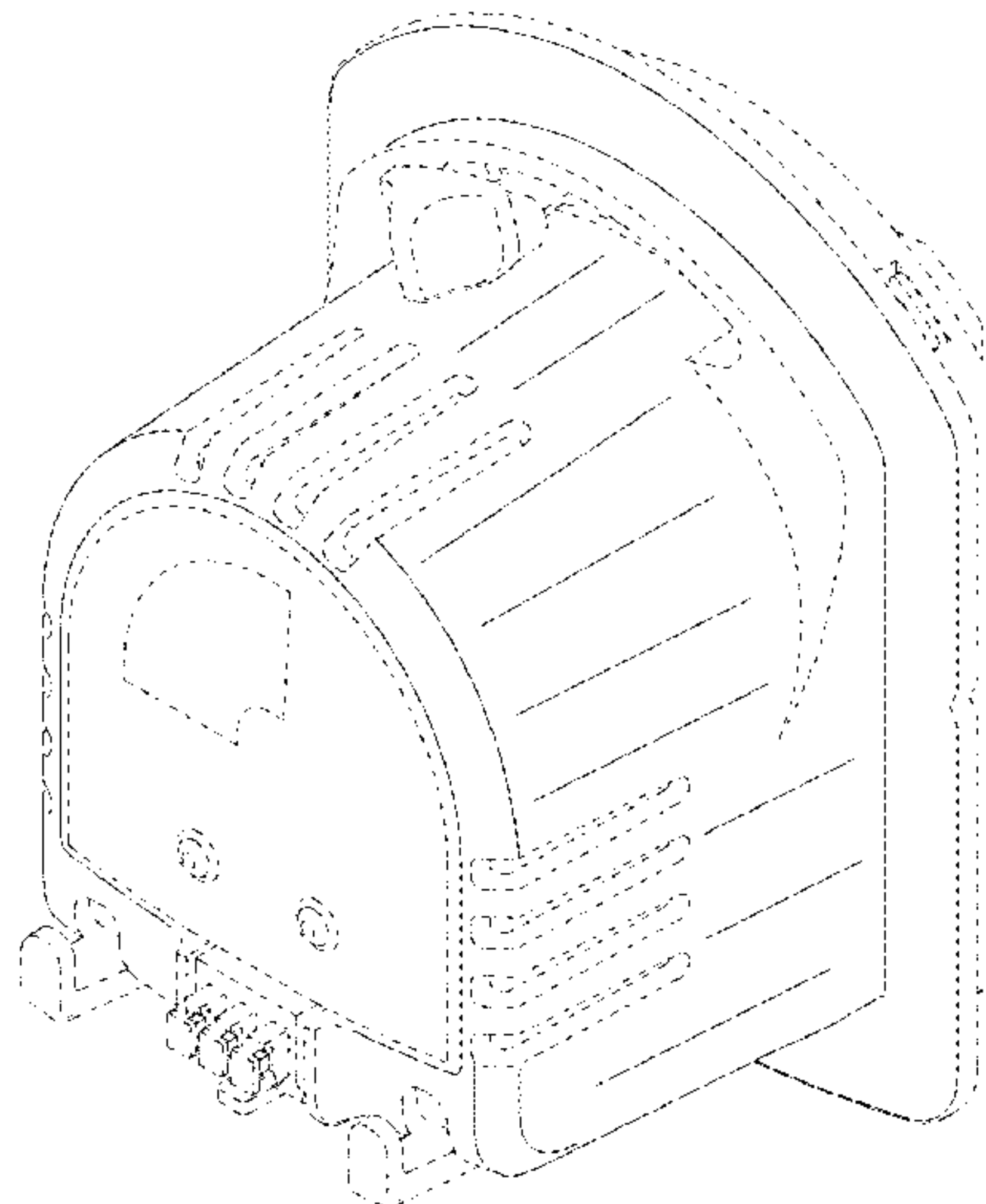
(57) **CLAIM**

The ornamental design for an HVAC actuator, as shown and
described.

DESCRIPTION

FIG. 1 is a perspective view of an HVAC actuator in accordance with the present invention;
FIG. 2 is a front side view of the HVAC actuator of FIG. 1;
FIG. 3 is a left side view of the HVAC actuator of FIG. 1;
FIG. 4 is a right side view of the HVAC actuator of FIG. 1;
FIG. 5 is a top side view of the HVAC actuator of FIG. 1; and,
FIG. 6 is a bottom side view of the HVAC actuator of FIG. 1.
The portions illustrated in broken lines on the figures are for illustrative purposes only and form no part of the claimed design.

1 Claim, 6 Drawing Sheets



(56)

References Cited

U.S. PATENT DOCUMENTS

3,117,257 A 1/1964 Stone
 3,143,137 A 8/1964 Muller
 3,262,027 A 7/1966 Zaleske et al.
 3,276,480 A 10/1966 Kennedy
 3,279,744 A 10/1966 Fieldsen et al.
 3,295,079 A 12/1966 Brown
 3,521,659 A 7/1970 Seger
 3,727,160 A 4/1973 Churchill
 3,817,452 A 6/1974 Dean, Jr.
 3,847,210 A 11/1974 Wells
 4,088,150 A 5/1978 Serratto
 4,319,714 A 3/1982 Moulene et al.
 D267,335 S 12/1982 Axel et al.
 4,379,605 A 4/1983 Hoffman
 4,487,363 A 12/1984 Parker et al.
 4,534,538 A 8/1985 Buckley et al.
 4,549,446 A 10/1985 Beeson
 D286,907 S 11/1986 Hilpert et al.
 4,671,540 A 6/1987 Medvick et al.
 4,683,453 A 7/1987 Vollmer et al.
 4,691,689 A 9/1987 Shepherd et al.
 4,732,318 A 3/1988 Osheroff
 D295,280 S 4/1988 Walser
 4,783,600 A * 11/1988 Chang 307/116
 4,805,870 A 2/1989 Mertz
 4,829,447 A 5/1989 Parker et al.
 4,836,497 A 6/1989 Beeson
 4,841,733 A 6/1989 Dussault et al.
 5,052,537 A 10/1991 Tysver et al.
 5,133,265 A 7/1992 Lahti et al.
 5,236,006 A 8/1993 Platusich et al.
 5,249,596 A 10/1993 Hickenlooper, III et al.
 5,338,221 A 8/1994 Bowen et al.
 D359,103 S 6/1995 Bouc et al.
 5,518,462 A 5/1996 Yach
 5,540,414 A 7/1996 Giordani et al.
 5,551,477 A 9/1996 Kanno et al.
 5,564,461 A 10/1996 Raymond, Jr. et al.
 5,581,232 A 12/1996 Tanaka et al.
 5,588,682 A 12/1996 Breese
 5,634,486 A 6/1997 Hatting et al.
 5,806,555 A 9/1998 Magno, Jr.
 5,808,534 A 9/1998 Laffey
 5,819,791 A 10/1998 Chronister et al.
 5,835,981 A 11/1998 Smith
 5,944,224 A 8/1999 Hodge et al.
 5,954,088 A 9/1999 Huang
 6,073,907 A 6/2000 Schreiner, Jr. et al.
 6,422,258 B1 7/2002 DuHack et al.
 D480,450 S 10/2003 Saadi et al.
 6,681,791 B1 1/2004 Chorney et al.
 6,684,901 B1 2/2004 Cahill et al.
 6,742,765 B2 6/2004 Takano et al.
 6,789,781 B2 9/2004 Johnson et al.
 D498,821 S 11/2004 Nortier
 6,848,672 B2 2/2005 Cross et al.
 6,880,806 B2 4/2005 Haikawa et al.
 6,920,896 B2 7/2005 Kerger et al.
 6,932,319 B2 8/2005 Kowalski
 6,994,320 B2 2/2006 Johnson et al.
 7,024,527 B1 4/2006 Ohr
 7,036,791 B2 5/2006 Wiese
 7,041,902 B1 5/2006 Savicki, Jr. et al.
 7,048,251 B2 5/2006 Schreiner
 7,131,635 B2 11/2006 Oh
 7,137,408 B2 11/2006 Royse
 7,188,481 B2 3/2007 DeYoe et al.
 D543,003 S 5/2007 Helmsie
 7,260,899 B2 8/2007 Jones
 D552,643 S 10/2007 Bonomi
 7,347,716 B2 3/2008 Oesterhaus et al.
 7,354,319 B2 4/2008 Camino et al.
 D571,290 S 6/2008 Gebhart et al.
 7,395,718 B2 7/2008 Obermeier
 7,428,626 B2 9/2008 Vega

7,470,143 B2 12/2008 Osborn, Jr. et al.
 D587,211 S 2/2009 Greenslade
 D600,319 S 9/2009 Downing
 7,600,327 B2 10/2009 Sharp
 7,631,155 B1 12/2009 Bono et al.
 7,640,677 B2 1/2010 Vock et al.
 D609,319 S 2/2010 Ohno et al.
 D610,655 S 2/2010 Schmidt
 D614,150 S 4/2010 Crites
 7,704,008 B2 4/2010 Shinozaki et al.
 D616,067 S 5/2010 Cavagna
 7,708,254 B2 5/2010 Hertzog
 D621,909 S 8/2010 Parsons et al.
 7,769,861 B2 8/2010 Bendich et al.
 7,805,564 B2 9/2010 Matsunami et al.
 D629,069 S 12/2010 Parsons et al.
 D629,871 S 12/2010 Marinoni et al.
 D631,944 S 2/2011 Karmel et al.
 D634,813 S 3/2011 Hernandez, IV
 7,914,872 B2 3/2011 Leonard et al.
 7,937,527 B2 5/2011 Matsunami et al.
 7,938,383 B2 * 5/2011 Zur et al. 251/129.15
 8,050,417 B2 * 11/2011 Lasa et al. 381/61
 8,051,244 B2 11/2011 Matsunami et al.
 D650,337 S 12/2011 Bonomi
 8,083,205 B2 12/2011 Sneh
 D654,523 S 2/2012 Iranyi et al.
 8,122,911 B2 2/2012 Wark
 8,341,350 B2 12/2012 Jess et al.
 8,353,716 B2 1/2013 Keswani
 D675,714 S 2/2013 Nguyen
 8,386,708 B2 2/2013 Jess
 D680,141 S 4/2013 Sannomiya
 D686,297 S 7/2013 Laugen et al.
 D687,070 S 7/2013 Liao
 D691,240 S * 10/2013 Iranyi et al. D23/233
 D691,701 S * 10/2013 Iranyi et al. D23/233
 D691,703 S 10/2013 Iranyi et al.
 D697,585 S 1/2014 Liu et al.
 8,632,054 B2 1/2014 Carlson et al.
 8,641,010 B2 * 2/2014 Christensen 251/129.15
 8,645,662 B2 2/2014 Burton et al.
 8,671,990 B2 * 3/2014 Griffith et al. 137/872
 8,684,030 B2 * 4/2014 Chaffee 137/565.15
 8,733,735 B2 5/2014 Strebe
 2004/0089835 A1 * 5/2004 Schreiner 251/291
 2004/0099833 A1 5/2004 Haikawa et al.
 2008/0116288 A1 5/2008 Takach et al.
 2008/0179556 A1 * 7/2008 Lasa et al. 251/129.21
 2010/0327200 A1 * 12/2010 Engler et al. 251/129.15
 2011/0220009 A1 9/2011 Betts et al.
 2011/0240893 A1 10/2011 Windgassen
 2012/0199776 A1 8/2012 Kreuter
 2012/0325338 A1 12/2012 Pettinaroli et al.
 2013/0054932 A1 2/2013 Acharya et al.
 2013/0187073 A1 7/2013 Carlson et al.
 2013/0333502 A1 12/2013 Barton et al.
 2013/0333784 A1 12/2013 Marak et al.
 2013/0334325 A1 12/2013 Marak et al.
 2013/0337736 A1 12/2013 Marak et al.
 2014/0312254 A1 * 10/2014 Molino et al. 251/129.15

FOREIGN PATENT DOCUMENTS

CN 203051926 7/2013
 DE 10322832 12/2004
 EP 0021885 1/1981
 EP 0057780 8/1982
 EP 0612950 8/1994
 EP 1235128 8/2002
 EP 1672261 6/2006
 EP 1701108 9/2006
 EP 2017512 1/2009
 EP 2088529 8/2009
 EP 1967777 10/2009
 GB 2468292 6/2012
 JP 11280948 10/1990
 JP 3219185 9/1991
 JP 2007108106 4/2007

(56)

References Cited

FOREIGN PATENT DOCUMENTS

KR	2003013488	2/2003
WO	WO 2010/100403	2/2010
WO	WO 2011/043663	4/2011
WO	WO 2011/066328	6/2011

OTHER PUBLICATIONS

CHROMalytic Technology, "Actuators and Accessories; Air Actuators," Australian Distributors; Importers & Manufacturers, pp. 194-211, Downloaded Feb. 2012.

Search Report for Corresponding EP Application No. 12156608.7-2422 completed May 23, 2012.

Damper Actuator Google Image Search Results: "https://www.google.com/search?q=damper+actuator&tbm=ish&source=..." 12 pages, Dec. 18, 2013.

Electric Actuator MOD.VB015 "Maintenance and Installation Instructions of Valbia Electric Actuators" Sections 1.0-8.0 6 pages, downloaded Dec. 18, 2013.

Honeywell, "Dampers Actuators and Valves," Application and Selection Guide, 295 pages, Jan. 2011.

Honeywell, "Excel 10 W7751H3007 VAV Actuators," Installation Instructions, 10 pages, 2007.

Honeywell, "M5410 C1001/L1001 Small On/Off Linear Valve Actuators," Product Data, 4 pages, 2010.

Honeywell, "M6061 Rotary Valve Actuators," Product Data, 6 pages, 2011.

Honeywell, "ML6420A30xx/ML7420A60xx," Electric Linear Valve Actuators, Installation Instructions, 2 pages, 2010.

Honeywell, "ML6435B/ML7435E Electric Linear Actuators for Floating/Modulating Control," Installation Instructions, 2 pages, 2008.

Honeywell, "MT4-024/MT4-230 MT4-230 MT8-230, Small Linear Thermoelectric Actuators," Product Data, 5 pages, 2009.

Honeywell, "MT-Clip—Mounting Clips for MT4/MT8," Mounting Instructions, 1 page, prior to Feb. 23, 2011.

Honeywell, "MT-Clip-ATP—Mounting Clips for MT4/MT8," 2 pages, 2006.

Honeywell, "N20xx/N34xx Non-spring Return Direct-Coupled Damper Actuators," Wiring, 4 pages, 2012.

Honeywell, "Small Linear Thermoelectric Actuator, MT4-024/MT4-230/MT8-024/MT8-230," Mounting Instructions, 2 pages, 2006.

Honeywell, "Small Linear Thermoelectric Actuator, MT4-024/MT4-230/MT8-024/MT8-230," Mounting Instructions, 2 pages, 2007.

Honeywell, "VC2, VC4, VC60, VC8 On-Off Actuator for VC Series Balanced Hydronic Valves," Installation Instructions, 8 pages, 2011.

Honeywell, "VC6800, VC6900 Series Floating Control Valves," Product Data, 6 pages, Nov. 1996.

Honeywell, M5003A, 2 pages, Sep. 2010.

Honeywell, M6410C/L M7410C, 2 pages, prior to Feb. 23, 2011.

Honeywell, M7061 Installation Instructions, 2 pages, 2003.

HVAC Actuator Google Image Search Results: "https://www.google.com/search?q=damper+actuator&tbm=ish&source=..." 12 pages, Dec. 18, 2013.

Valbia Electric Actuators, Bonomi USA, Inc. General Specifications, N.105, 4 pages, downloaded Dec. 18, 2013.

VICI Valco Instruments Co. Inc., "Multiposition Microelective Valve Actuators Models EMH, EMT, ECMH, and ECMT," VICI AG International, 9 pages, Downloaded Feb. 2012. TN-415 Dec. 2007.

Air Torque, "3-Position 4th Generation Actuators (90° Rotation)," 2 pages, prior to Aug. 2, 2013.

Air Torque, "4th Generation Pneumatic Actuator," 20 pages, prior to Aug. 2, 2013.

Bryant, "Healthcare Solutions," 12 pages, prior to Aug. 5, 2013.

U.S. Appl. No. 14/133,441, filed Dec. 18, 2013.

U.S. Appl. No. 14/133,456, filed Dec. 18, 2013.

U.S. Appl. No. 14/133,467, filed Dec. 18, 2013.

U.S. Appl. No. 14/133,482, filed Dec. 18, 2013.

U.S. Appl. No. 29/408,681, filed Dec. 15, 2011.

Johnson Controls, "VA-8122 Proportional Valve Actuator," Product/Technical Bulletin, VA-8122, May 2013.

Kromschroder, "Actuators IC 20, IC 40," 3.1.6.4 Edition 05.05 GB, 6 pages, prior to Aug. 8, 2013.

Meto-Fer Automation, "Rotary Actuators," 18 pages, Sep. 2012.

Siemens, "Room Controller RXC32.1/RXC32.5 for VAV Systems with LonMark-Compatible Bus Communication," 14 pages, Jan. 16, 2012.

Siemens, "SQS82 Electronic Valve Actuator," Installation Instructions, Document No. 129-157, Rev. 5, Oct. 2000.

Solidyne, "SMRT Actuator," 00-SMRT-1 Rev-0, 7 pages, 2009.

Wilcoxon, "iT Accessories," Rev. A, 2 pages, Nov. 2004.

* cited by examiner

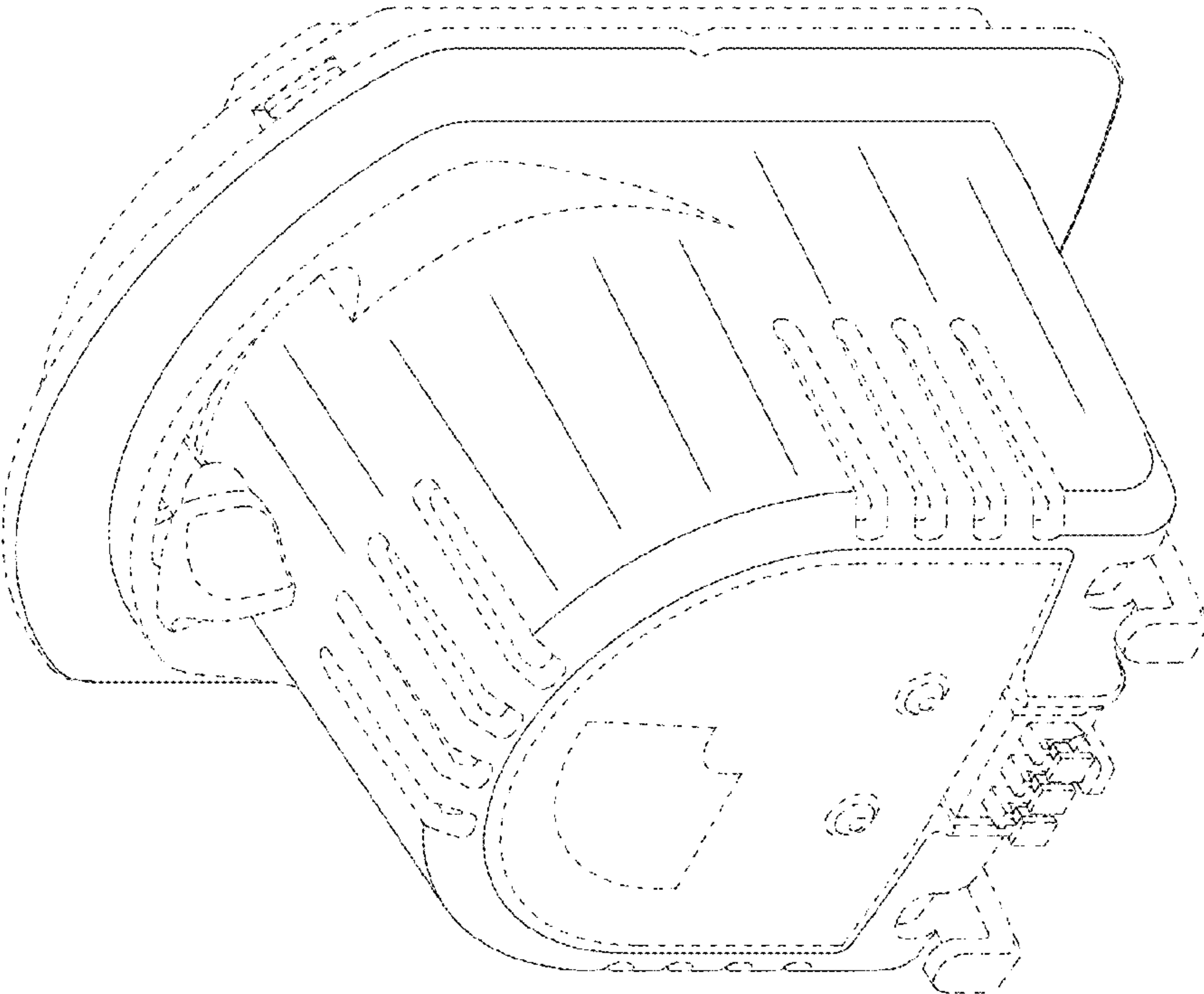


Figure 1

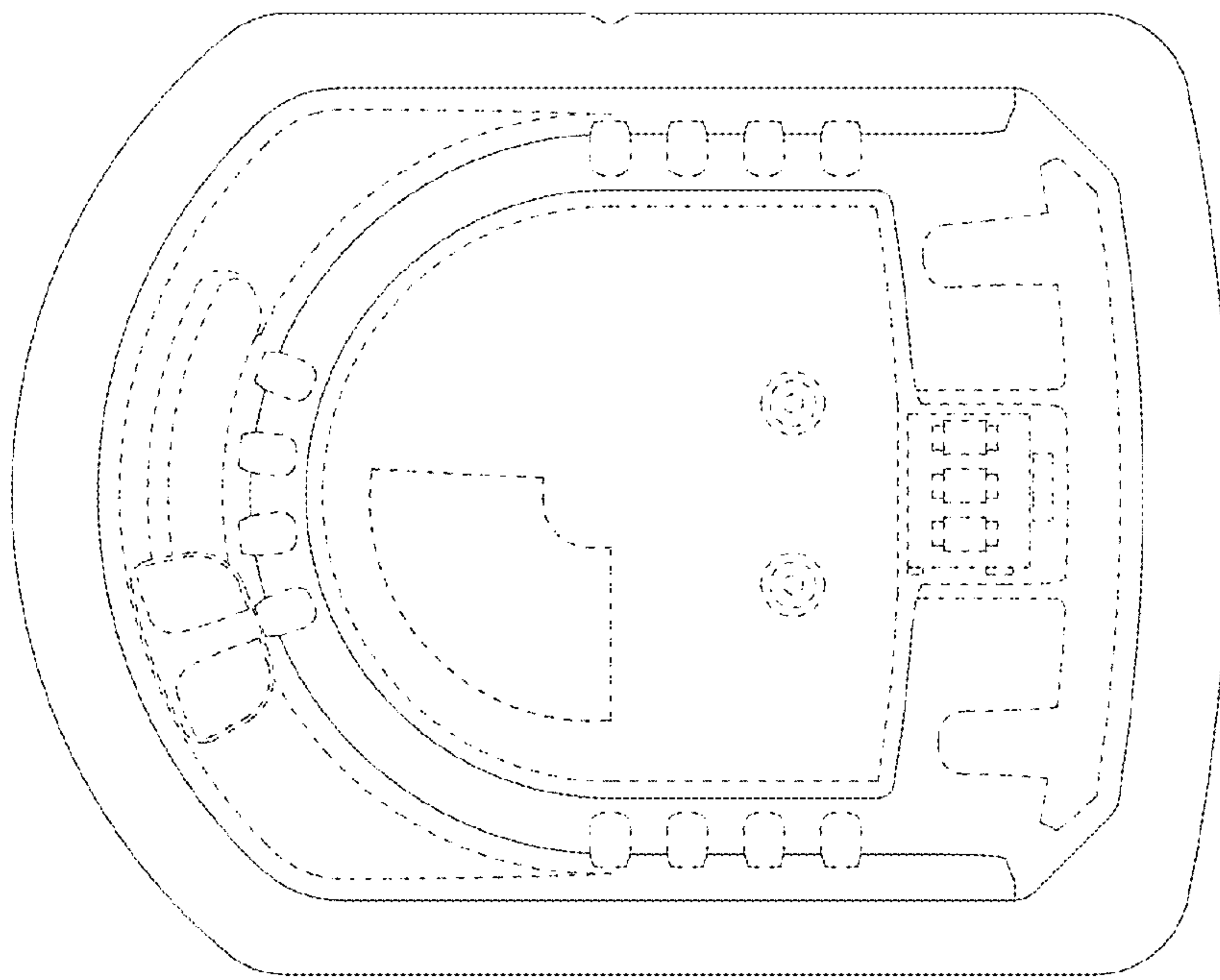


Figure 2

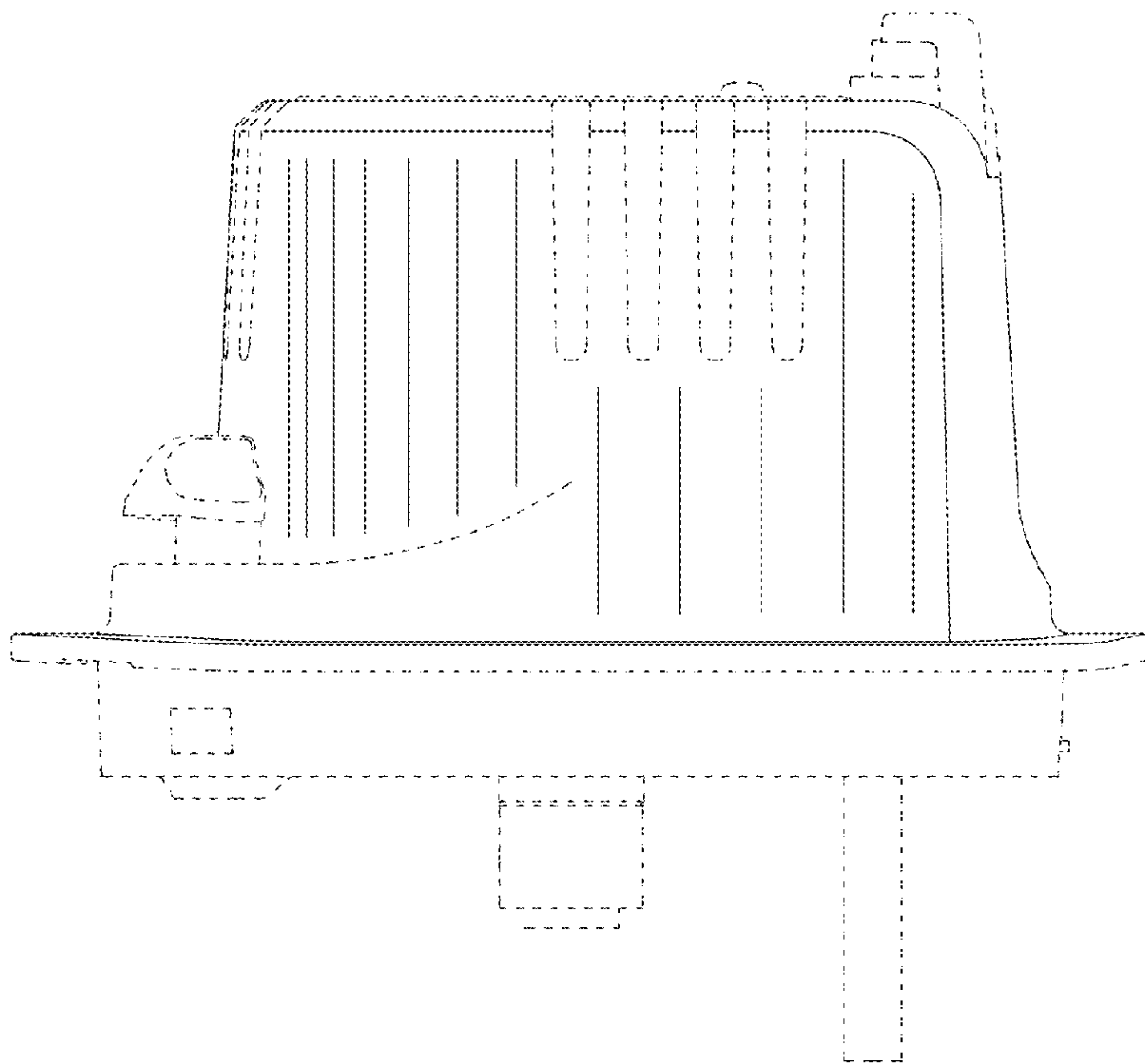


Figure 3

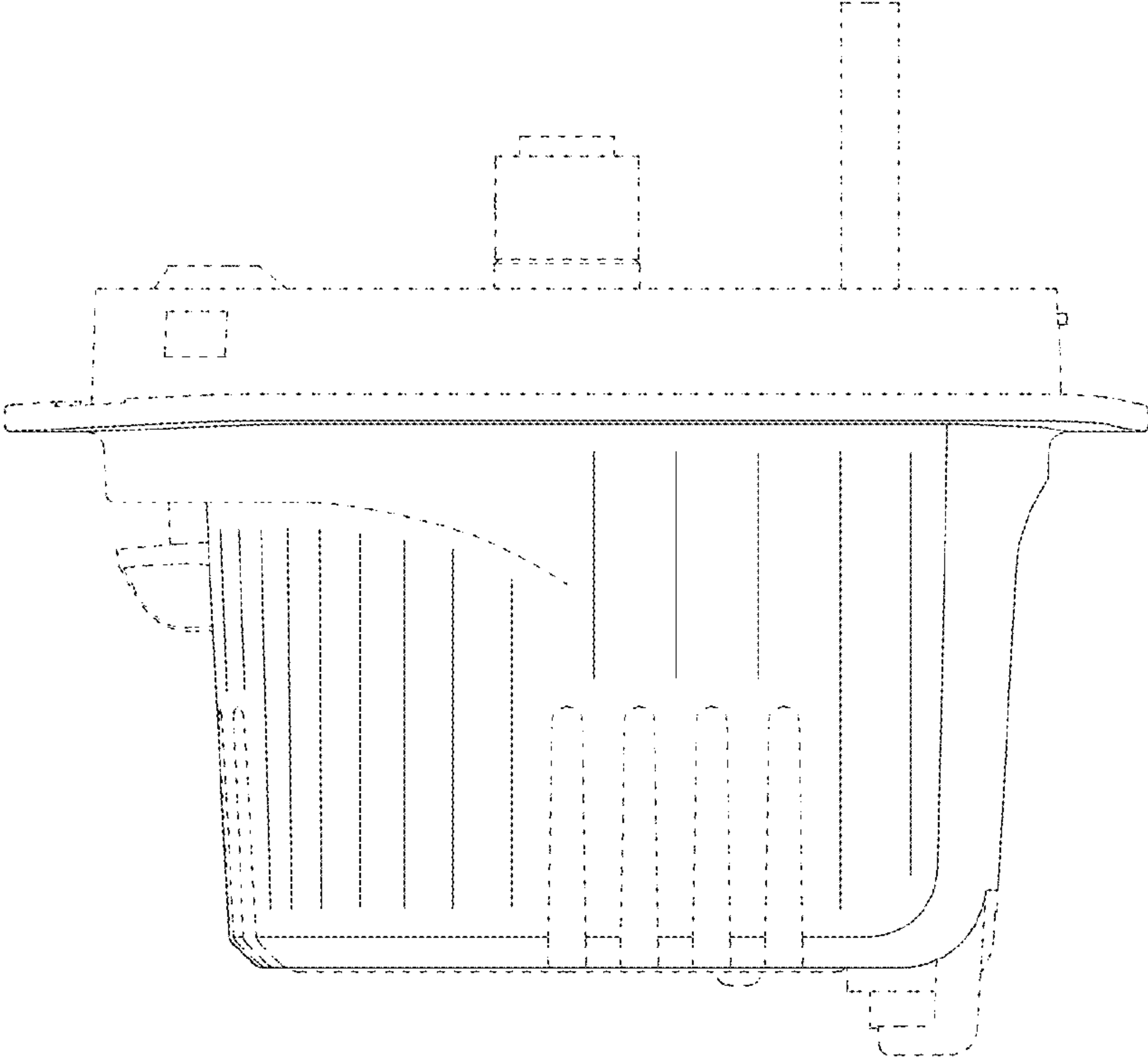


Figure 4

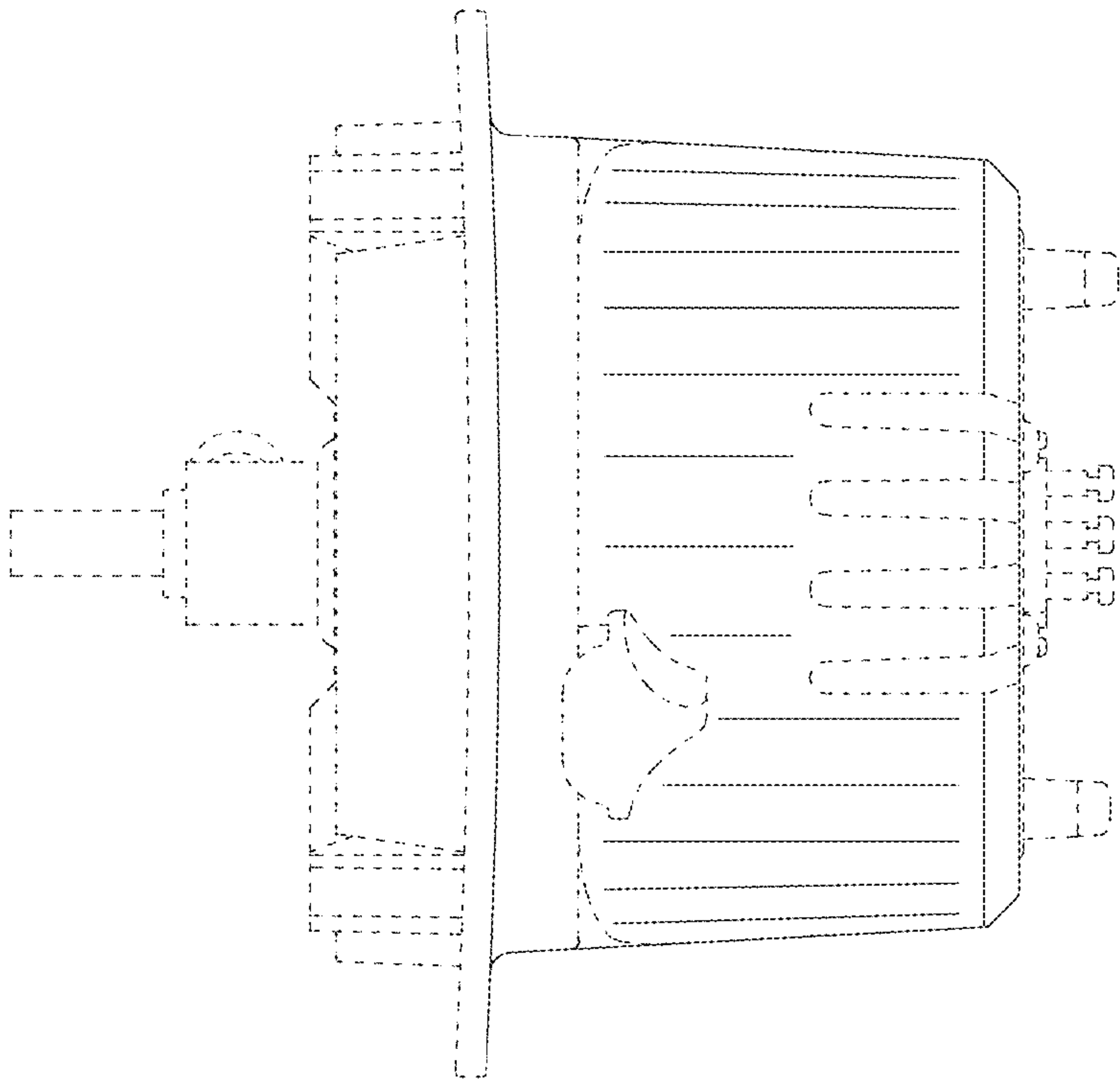


Figure 5

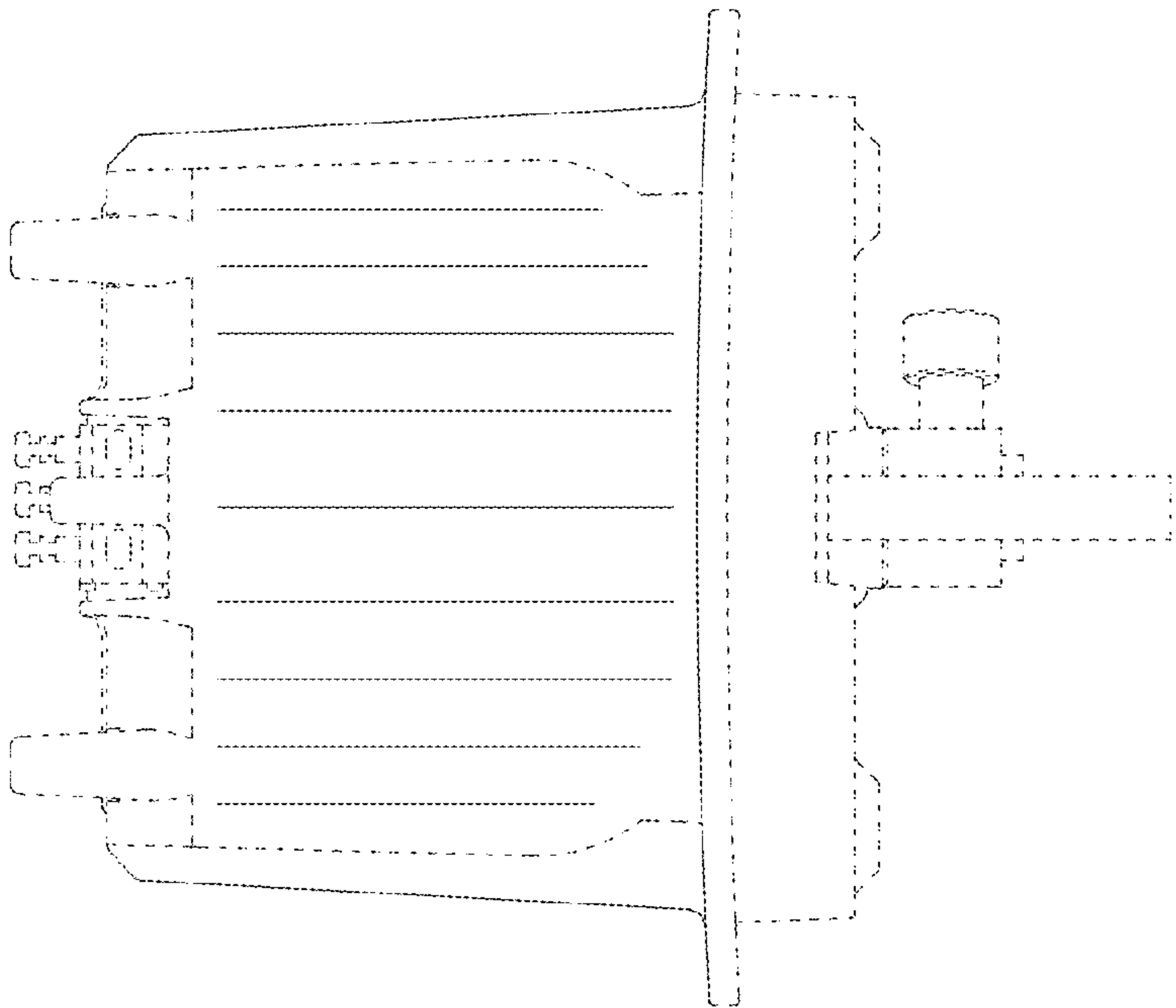


Figure 6