



US00D728070S

(12) **United States Design Patent**  
**Schurle**

(10) **Patent No.:** **US D728,070 S**  
(45) **Date of Patent:** **\*\* Apr. 28, 2015**

(54) **SPRAY UNIT**

(71) Applicant: **Neoperl GmbH**, Mullheim (DE)

(72) Inventor: **Holger Schurle**, Mullheim (DE)

(73) Assignee: **Neoperl GmbH**, Müllheim (DE)

(\*\*) Term: **14 Years**

(21) Appl. No.: **29/465,034**

(22) Filed: **Aug. 23, 2013**

(30) **Foreign Application Priority Data**

Mar. 11, 2013 (EM) ..... 002199901-02-04

(51) **LOC (10) Cl.** ..... **23-01**

(52) **U.S. Cl.**  
USPC ..... **D23/213**

(58) **Field of Classification Search**  
USPC ..... D23/213, 249; 239/428.5, 437;  
261/DIG. 22; 366/276, 364-5

See application file for complete search history.

(56) **References Cited**

U.S. PATENT DOCUMENTS

D603,018 S \* 10/2009 Stein ..... D23/235  
D692,526 S \* 10/2013 Stein et al. .... D23/213  
D695,878 S \* 12/2013 Stein et al. .... D23/213

\* cited by examiner

*Primary Examiner* — Robin V Webster

(74) *Attorney, Agent, or Firm* — Volpe and Koenig, P.C.

(57) **CLAIM**

The ornamental design for a spray unit, as shown and described.

**DESCRIPTION**

FIG. 1 is a top plan view of a spray unit in accordance with my design;

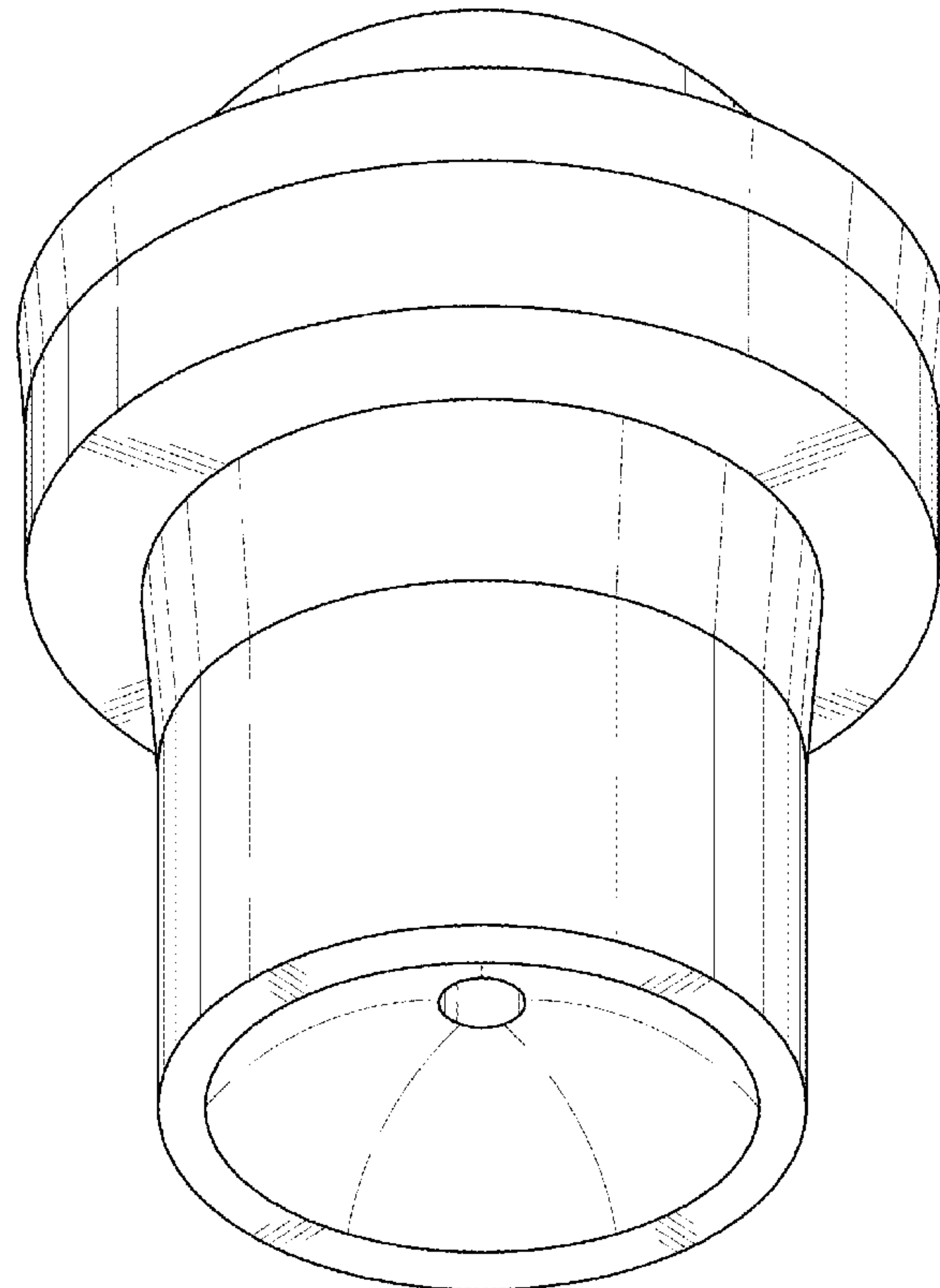
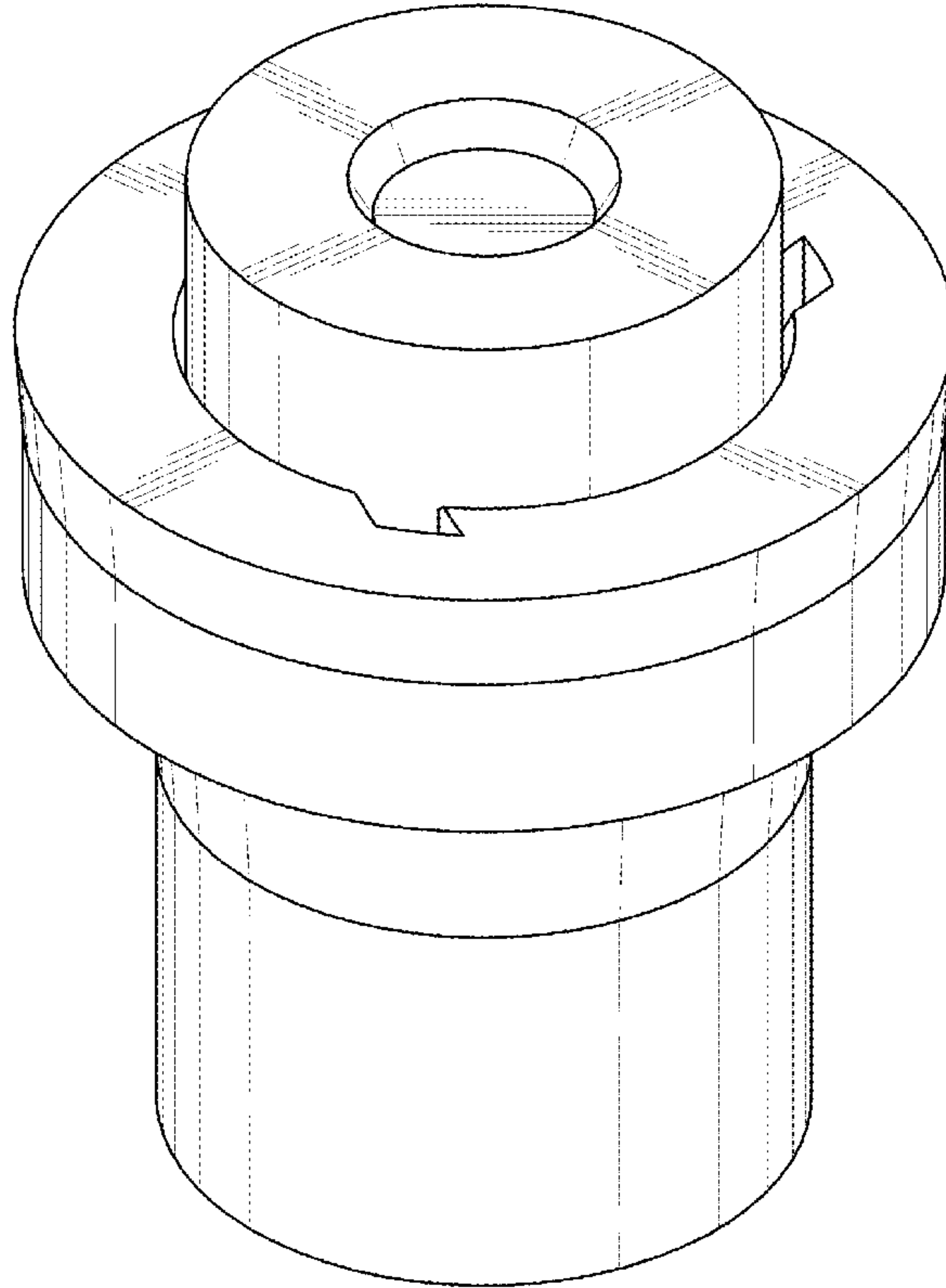
FIG. 2 is a top, front perspective view thereof;

FIG. 3 is a bottom view thereof;

FIG. 4 is a bottom, rear perspective view thereof; and,

FIG. 5 is an elevational view thereof.

**1 Claim, 5 Drawing Sheets**



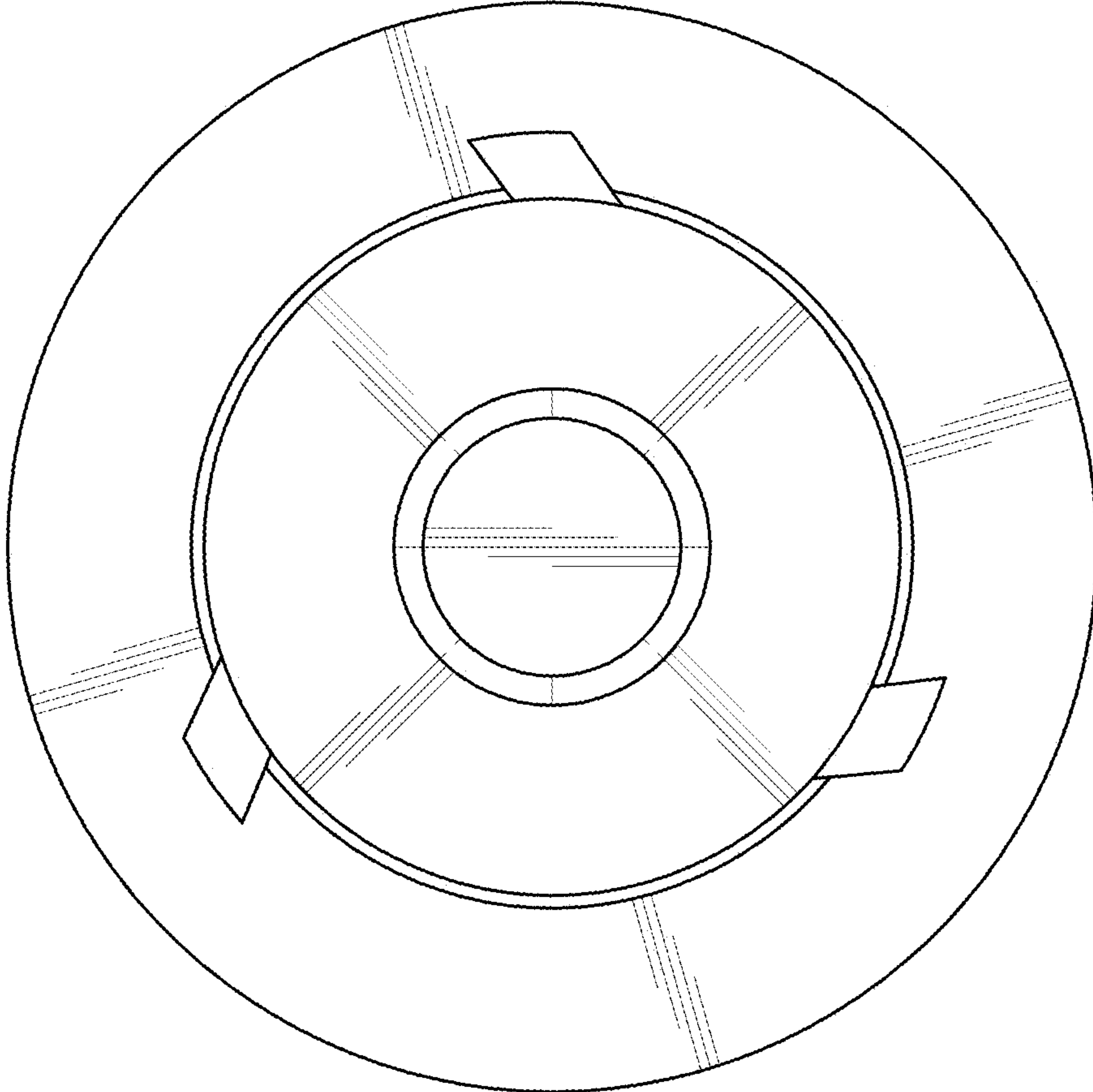


Fig. 1

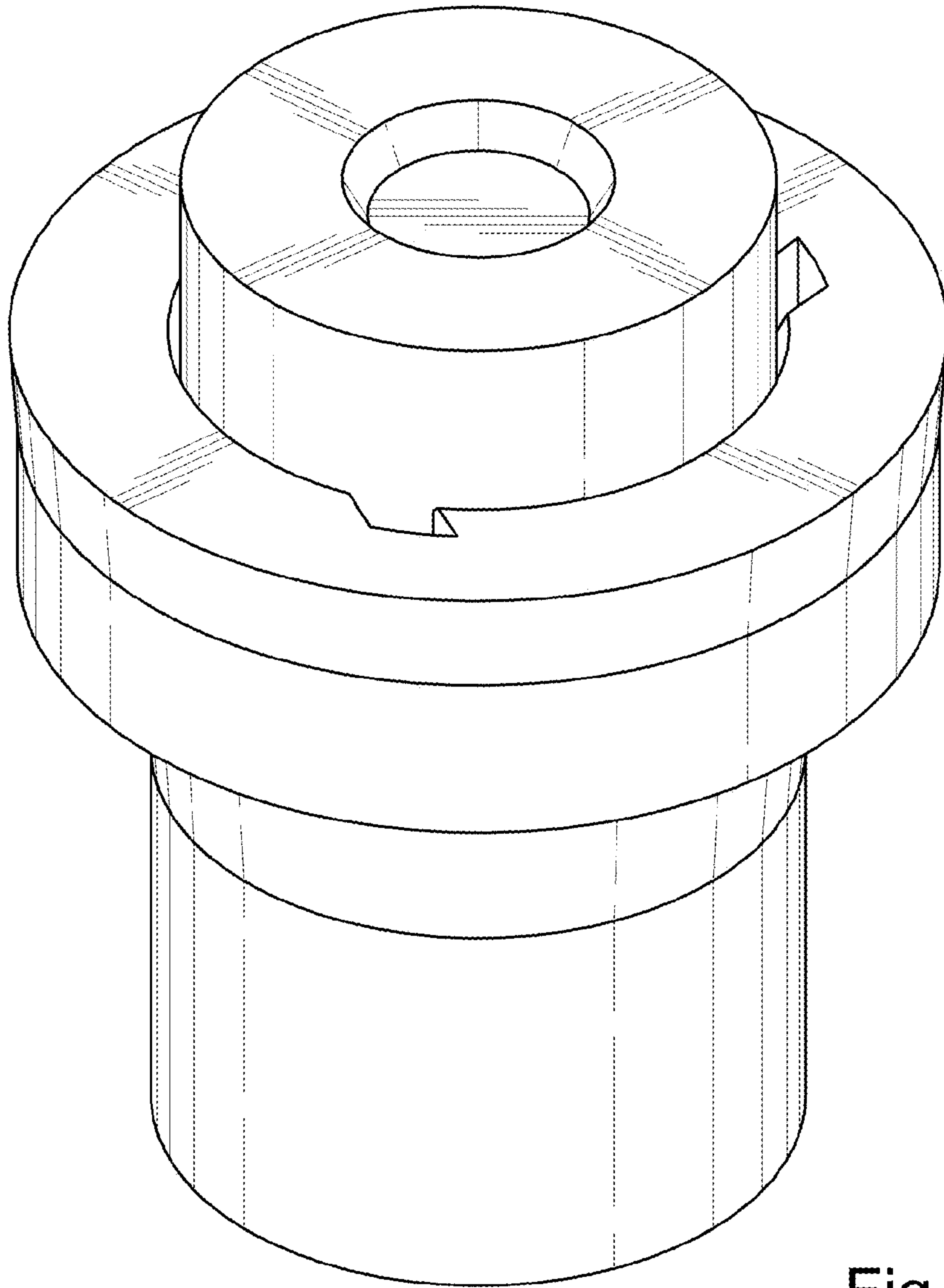


Fig. 2

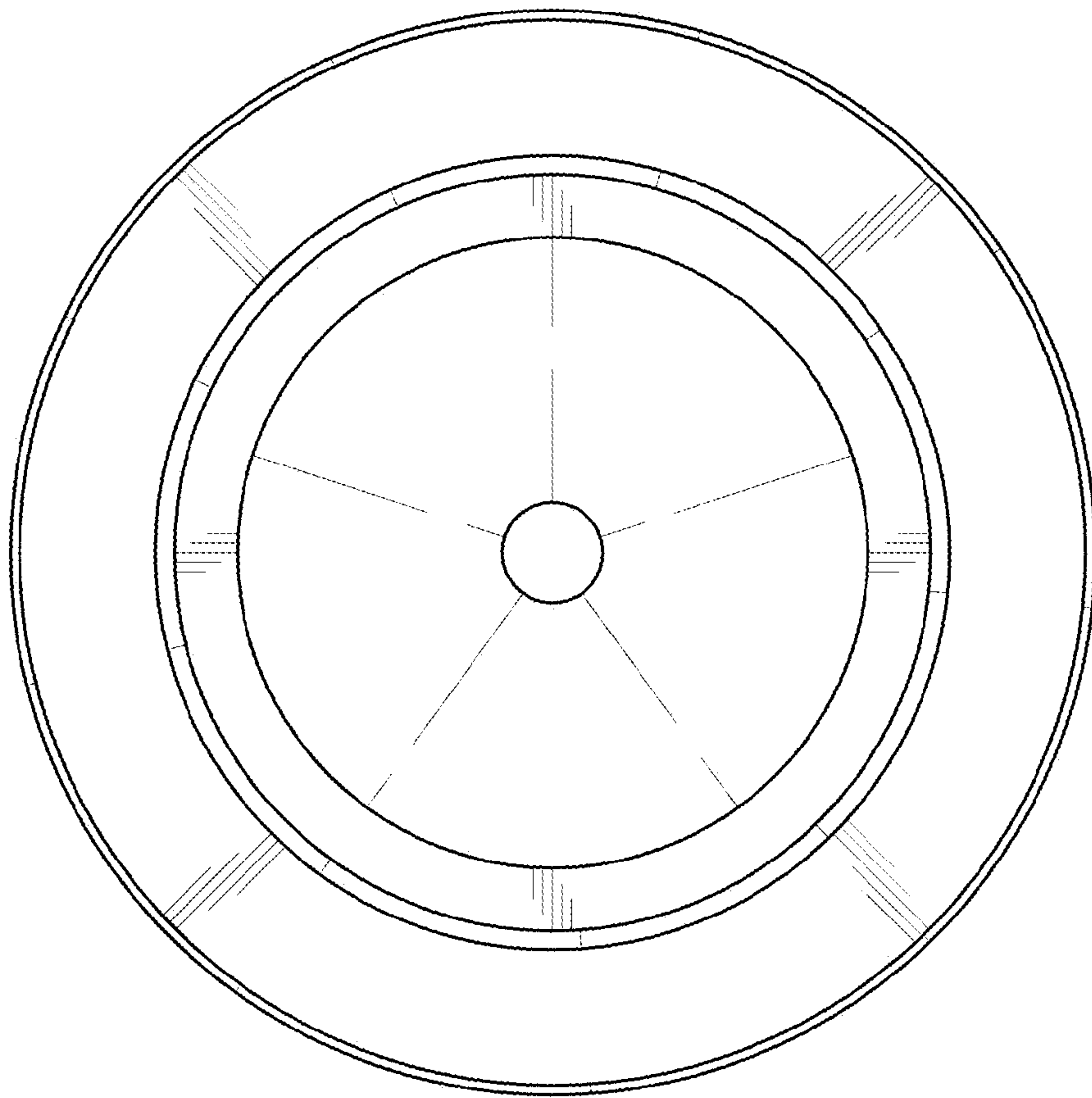


Fig. 3

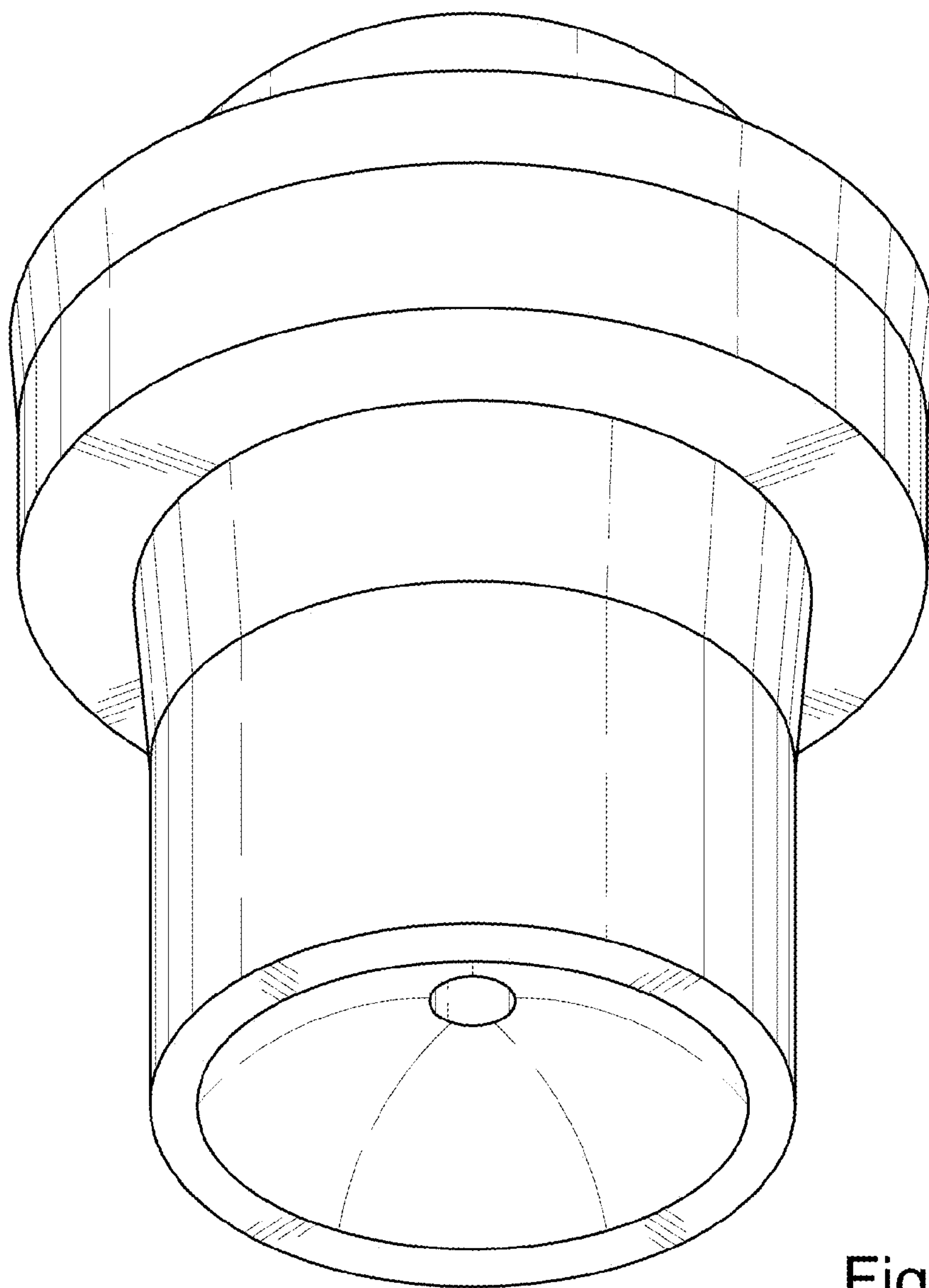


Fig. 4

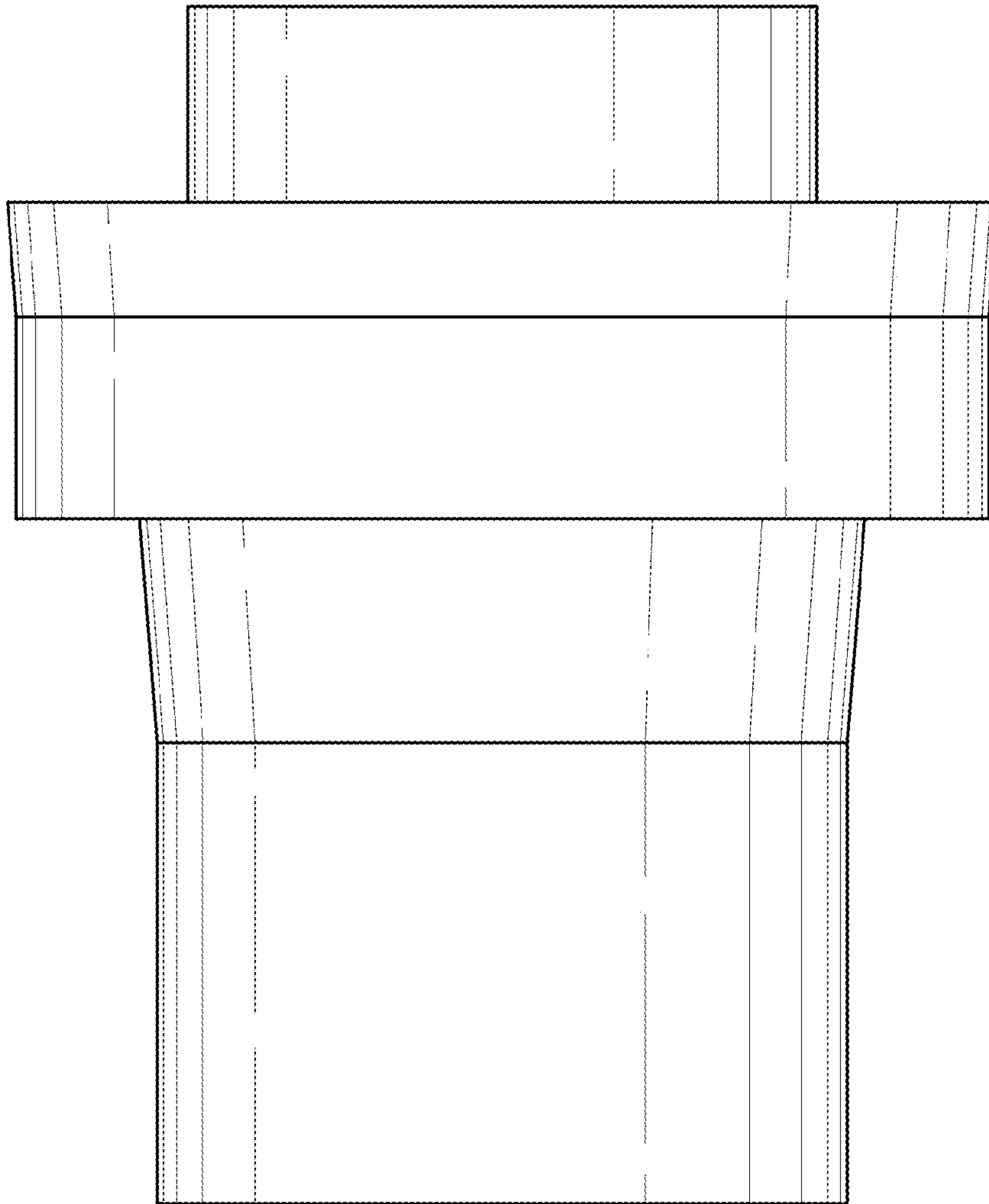


Fig. 5