



US00D728067S

(12) **United States Design Patent**  
**Evans et al.**

(10) **Patent No.:** **US D728,067 S**  
(45) **Date of Patent:** **\*\* Apr. 28, 2015**

(54) **SPRAY DEVICE**

(71) Applicant: **Talley Group Limited**, Romsey,  
Hampshire (GB)  
(72) Inventors: **Christopher Peter Evans**, Romsey  
(GB); **John James Henry Evans**,  
Romsey (GB)  
(73) Assignee: **Talley Group Limited**, Romsey (GB)  
(\*\*) Term: **14 Years**

(21) Appl. No.: **29/453,206**  
(22) Filed: **Apr. 26, 2013**

(30) **Foreign Application Priority Data**  
Oct. 31, 2012 (EP) ..... 001349930  
(51) **LOC (10) Cl.** ..... **23-01**  
(52) **U.S. Cl.**  
USPC ..... **D23/202; D23/225**  
(58) **Field of Classification Search**  
CPC ..... A62C 15/00; B05B 9/08; B05B 9/04  
USPC ..... D23/202, 213, 225; 222/383.1, 372,  
222/465.1, 137; 239/152-154, 332-3  
See application file for complete search history.

(56) **References Cited**

U.S. PATENT DOCUMENTS

1,875,992	A *	9/1932	Clifford	.....	222/321.1
2,162,057	A *	6/1939	Brandt et al.	.....	239/154
4,801,088	A *	1/1989	Baker	.....	239/152
D307,112	S *	4/1990	Huck	.....	D23/225
D337,368	S *	7/1993	Berfield et al.	.....	D23/202
6,089,477	A *	7/2000	Dillon	.....	239/653
6,729,558	B1 *	5/2004	Seenauth	.....	239/152
D547,416	S *	7/2007	Hillhouse	.....	D23/202
D567,897	S *	4/2008	Hillhouse	.....	D23/202
D570,447	S *	6/2008	Hillhouse	.....	D23/225

\* cited by examiner

*Primary Examiner* — Robin V Webster  
(74) *Attorney, Agent, or Firm* — Westman, Champlin &  
Koehler, P.A.; Z. Peter Sawicki

(57) **CLAIM**

The ornamental design for a spray device, as shown and described.

**DESCRIPTION**

FIG. 1 is a side perspective view of a spray device;  
FIG. 2 is a front view of the spray device;  
FIG. 3 is a left side view of the spray device;  
FIG. 4 is a right side view of the spray device;  
FIG. 5 is a top perspective of the spray device;  
FIG. 6 is a bottom view of the spray device; and,  
FIG. 7 is a back view of the spray device.

**1 Claim, 7 Drawing Sheets**





FIG. 1

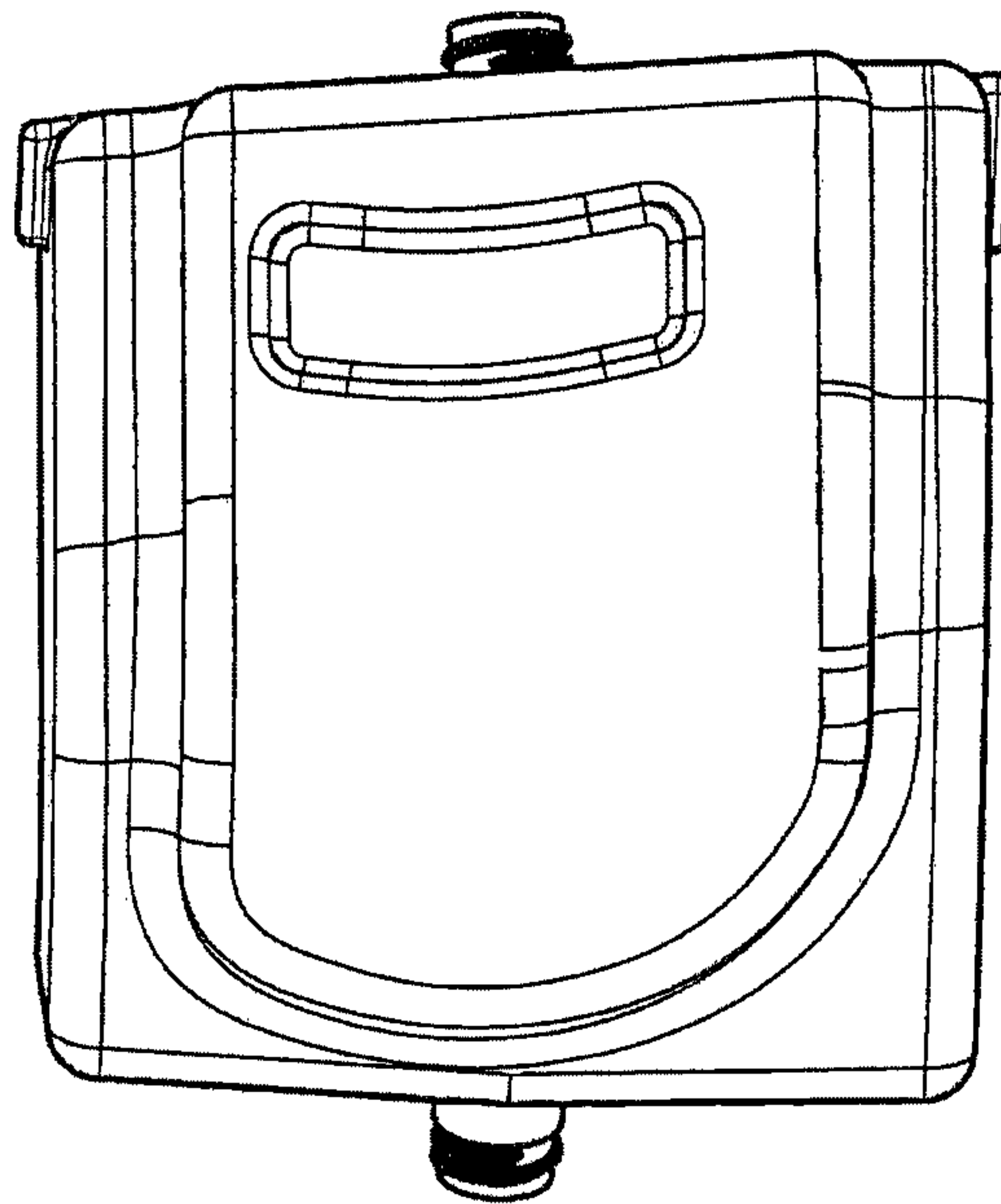


FIG. 2

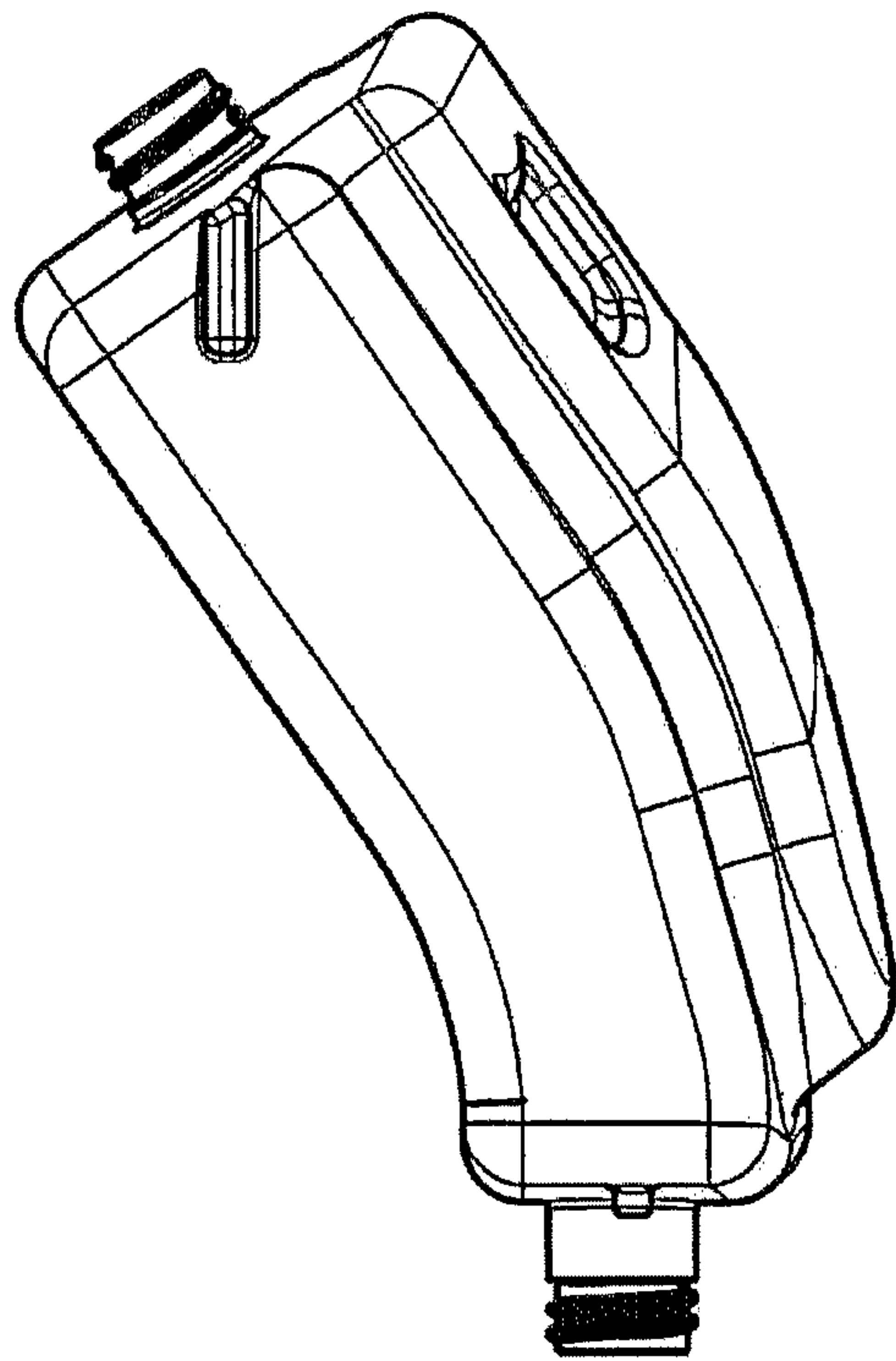


FIG. 3

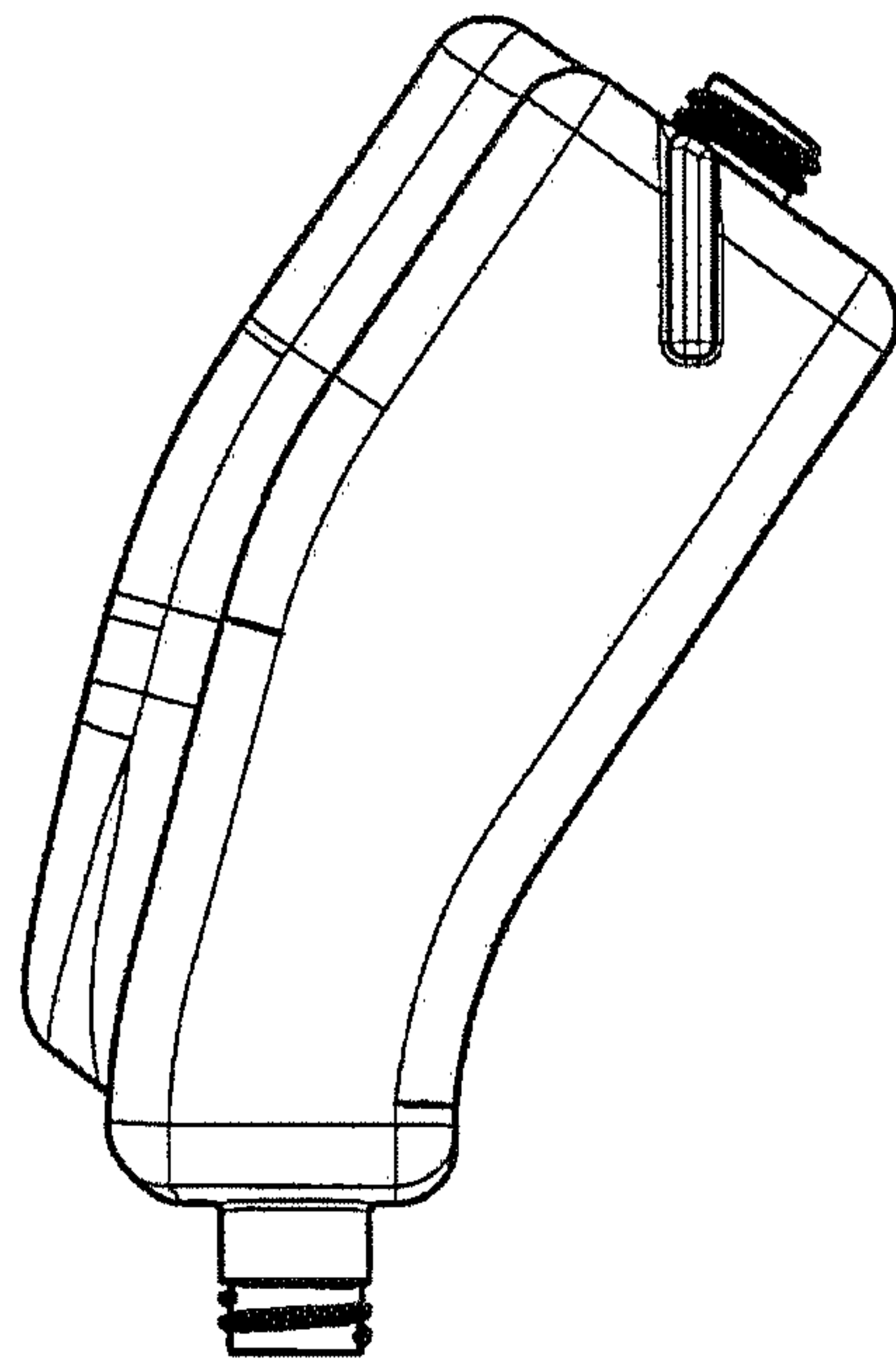


FIG. 4

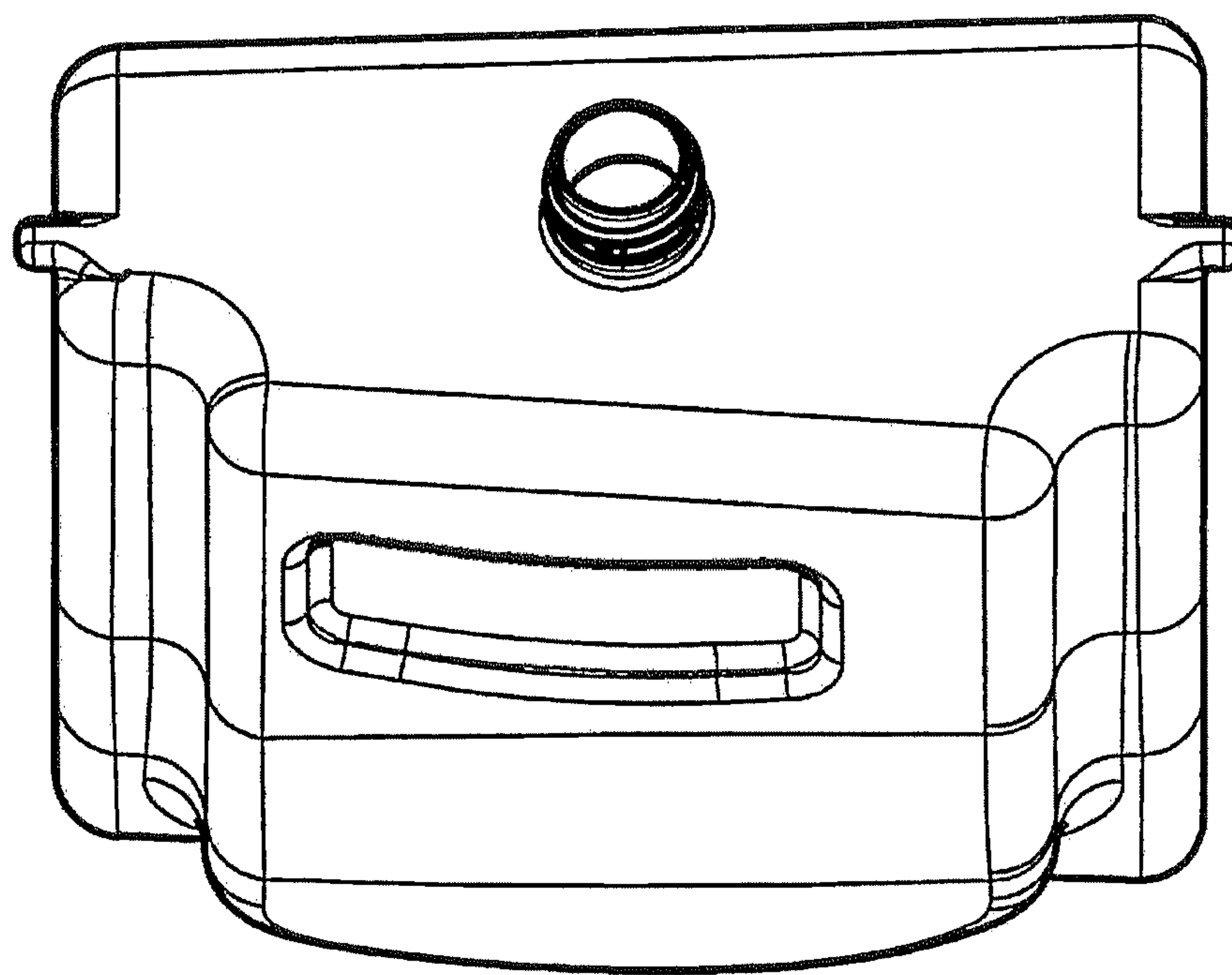


FIG. 5

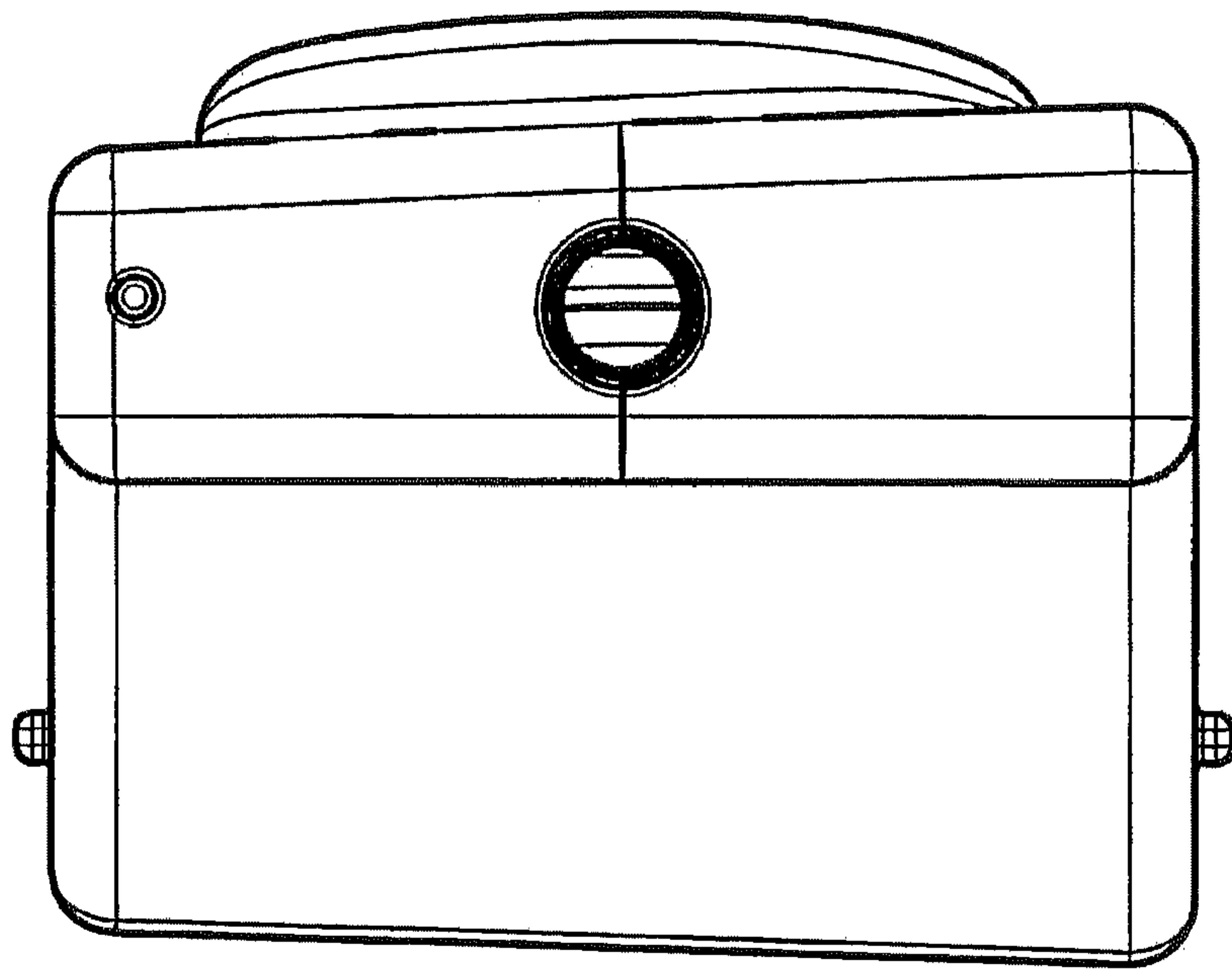


FIG. 6

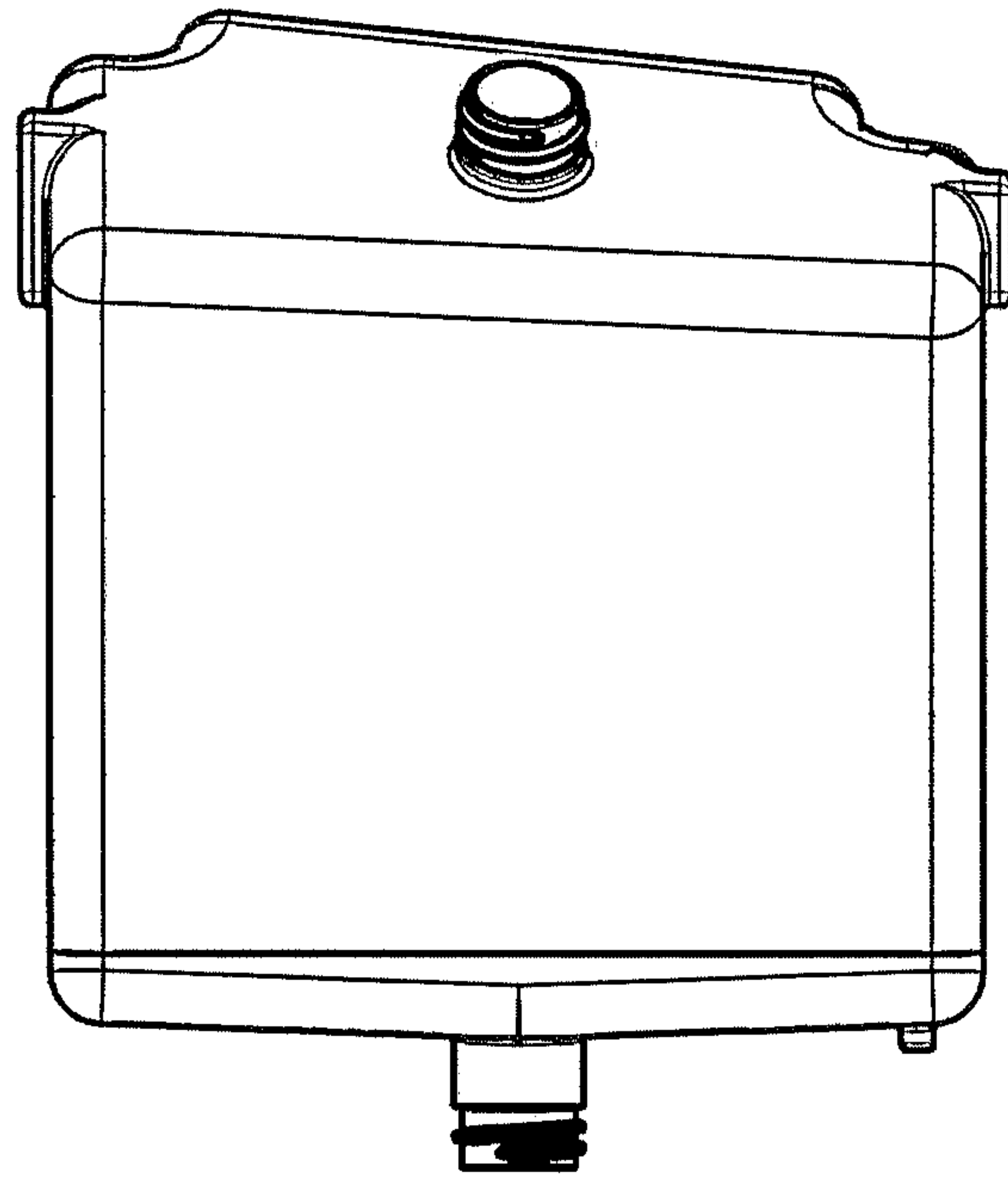


FIG. 7