



US00D728066S

(12) **United States Design Patent**
Tal et al.

(10) **Patent No.:** **US D728,066 S**
(45) **Date of Patent:** **** Apr. 28, 2015**

- (54) **FIREARM MAGAZINE LOADER**
- (71) Applicants: **Guy Tal**, Rosh Ha'ayin (IL); **Ran Tal**, Tel-Aviv (IL)
- (72) Inventors: **Guy Tal**, Rosh Ha'ayin (IL); **Ran Tal**, Tel-Aviv (IL)
- (**) Term: **14 Years**
- (21) Appl. No.: **29/479,291**
- (22) Filed: **Jan. 14, 2014**
- (51) **LOC (10) Cl.** **22-99**
- (52) **U.S. Cl.**
USPC **D22/199**
- (58) **Field of Classification Search**
CPC F41A 9/82; F41A 9/83; F41A 9/84;
F41A 9/85
USPC D22/108, 199; 86/48; 42/87, 88, 90, 99,
42/106; 89/45
See application file for complete search history.

8,691,772	B2 *	4/2014	Cohen et al.	514/21.4
2004/0020096	A1 *	2/2004	Tal et al.	42/87
2007/0107291	A1 *	5/2007	Tal et al.	42/87
2008/0184608	A1 *	8/2008	Tal et al.	42/87
2009/0044440	A1 *	2/2009	Tal et al.	42/87
2014/0033592	A1 *	2/2014	Fiorucci	42/87
2014/0219979	A1 *	8/2014	Cohen et al.	424/93.71

* cited by examiner

Primary Examiner — Michael A Pratt
(74) *Attorney, Agent, or Firm* — David Pressman

(57) **CLAIM**
The ornamental design for a firearm magazine loader, as shown and described.

DESCRIPTION

FIG. 1 is a perspective view of our firearm magazine loader, taken from the front, above, and to the left and including a holding ring.

FIG. 2 is a perspective view of the loader taken from the rear, above, and to the right.

FIG. 3 is a perspective view of the loader taken from the front, above, and to the right.

FIG. 4 is a plan view of the loader.

FIG. 5 is an elevational view of the loader taken from the front end, with the ring removed.

FIG. 6 is an elevational view of the loader taken from the rear end, with the ring removed.

FIG. 7 is an elevational view of the loader taken from a side, with the ring removed.

FIG. 8 is a perspective view of the loader taken from the bottom, front, and to the left; and,

FIG. 9 is a bottom view of the loader.

1 Claim, 2 Drawing Sheets

- (56) **References Cited**
U.S. PATENT DOCUMENTS
- 3,292,293 A * 12/1966 Chiasera et al. 42/49.01
- 4,879,829 A * 11/1989 Miller et al. 42/87
- 6,810,616 B2 * 11/2004 Tal et al. 42/87
- 7,059,077 B2 * 6/2006 Tal et al. 42/88
- 7,503,138 B2 * 3/2009 Tal et al. 42/87
- 7,637,048 B2 * 12/2009 Tal et al. 42/87
- 7,805,874 B2 * 10/2010 Tal et al. 42/87
- D700,266 S * 2/2014 Tal et al. D22/108

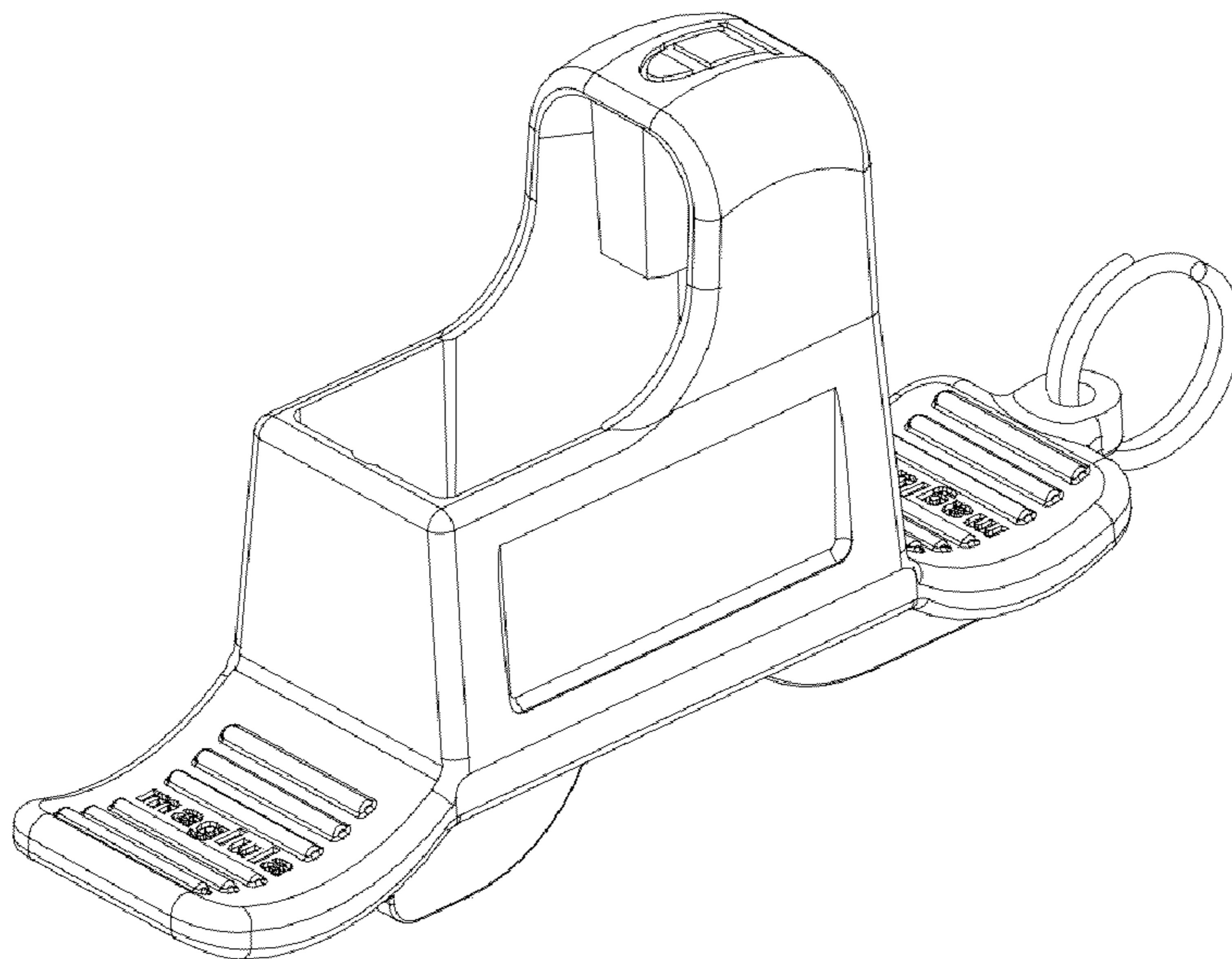


FIG. 1

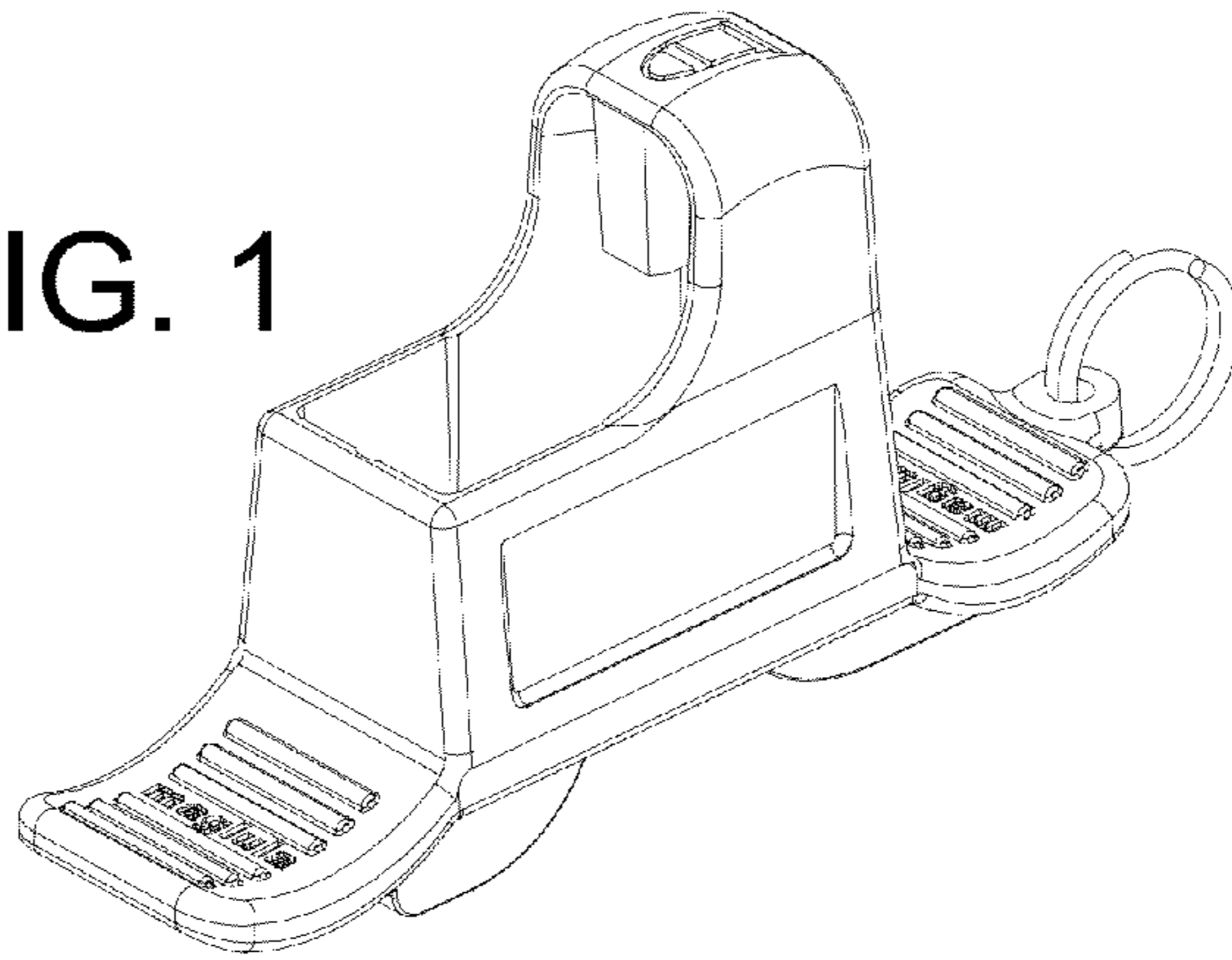


FIG. 2

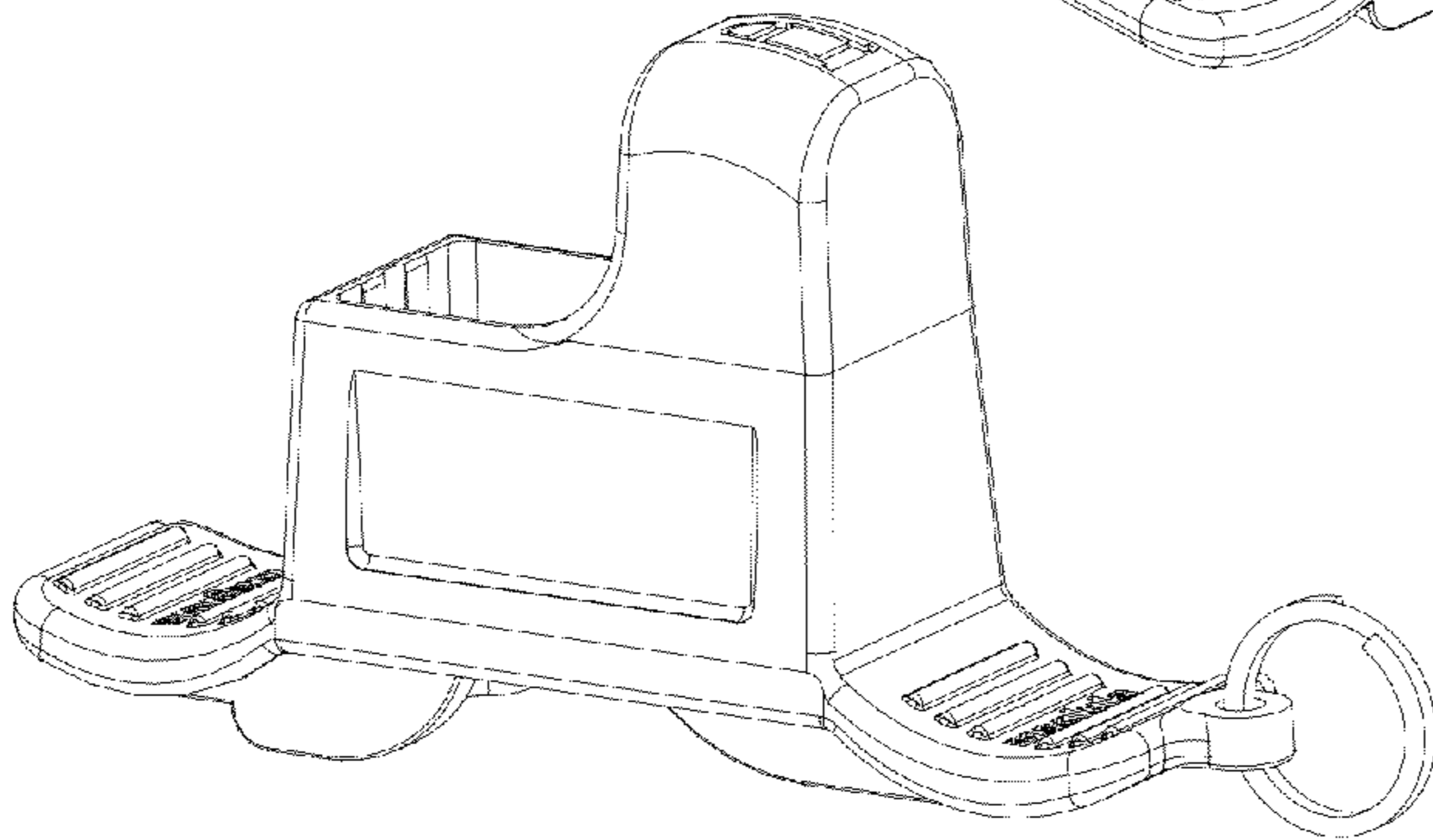


FIG. 3

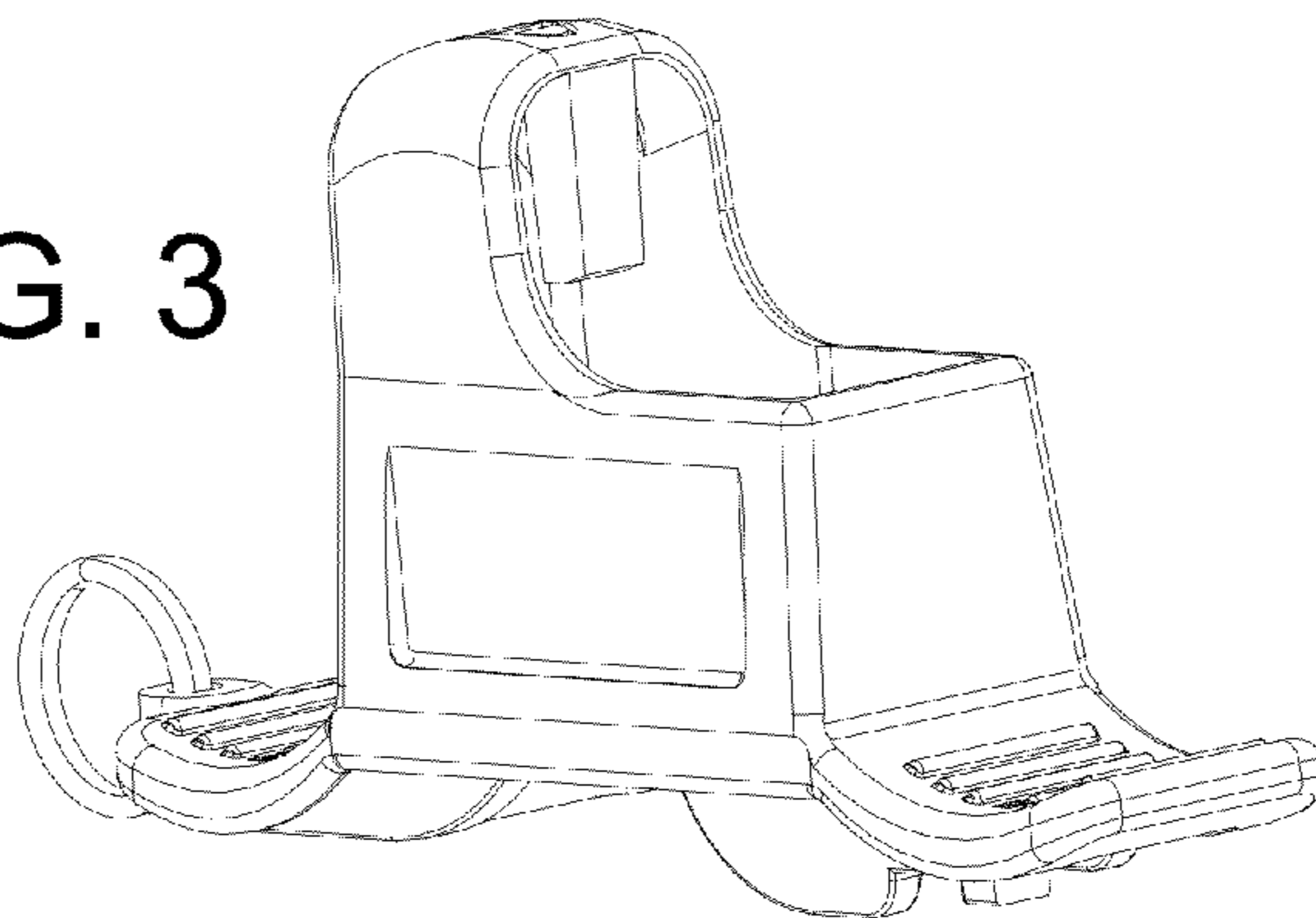


FIG. 4

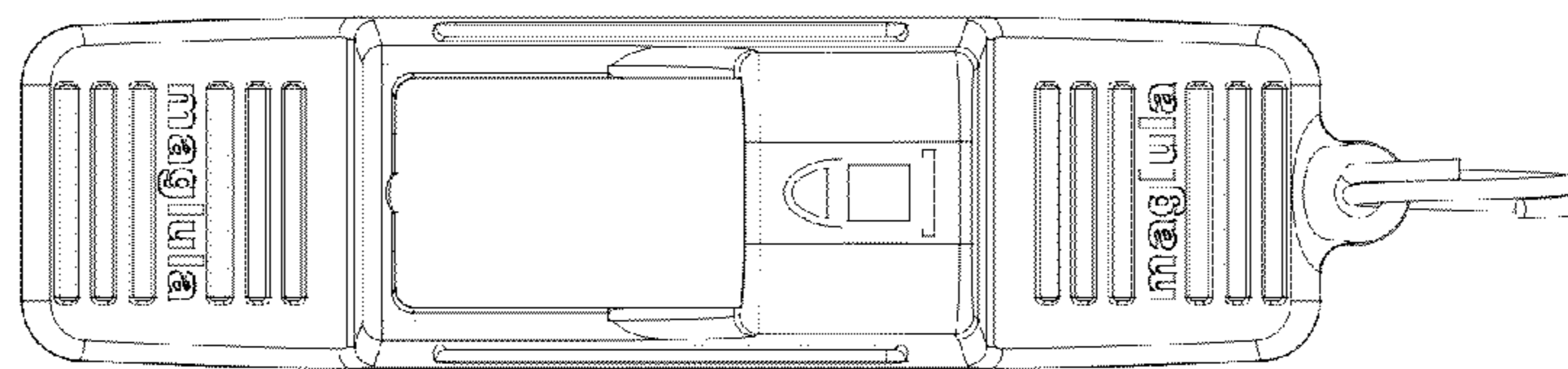


FIG. 5

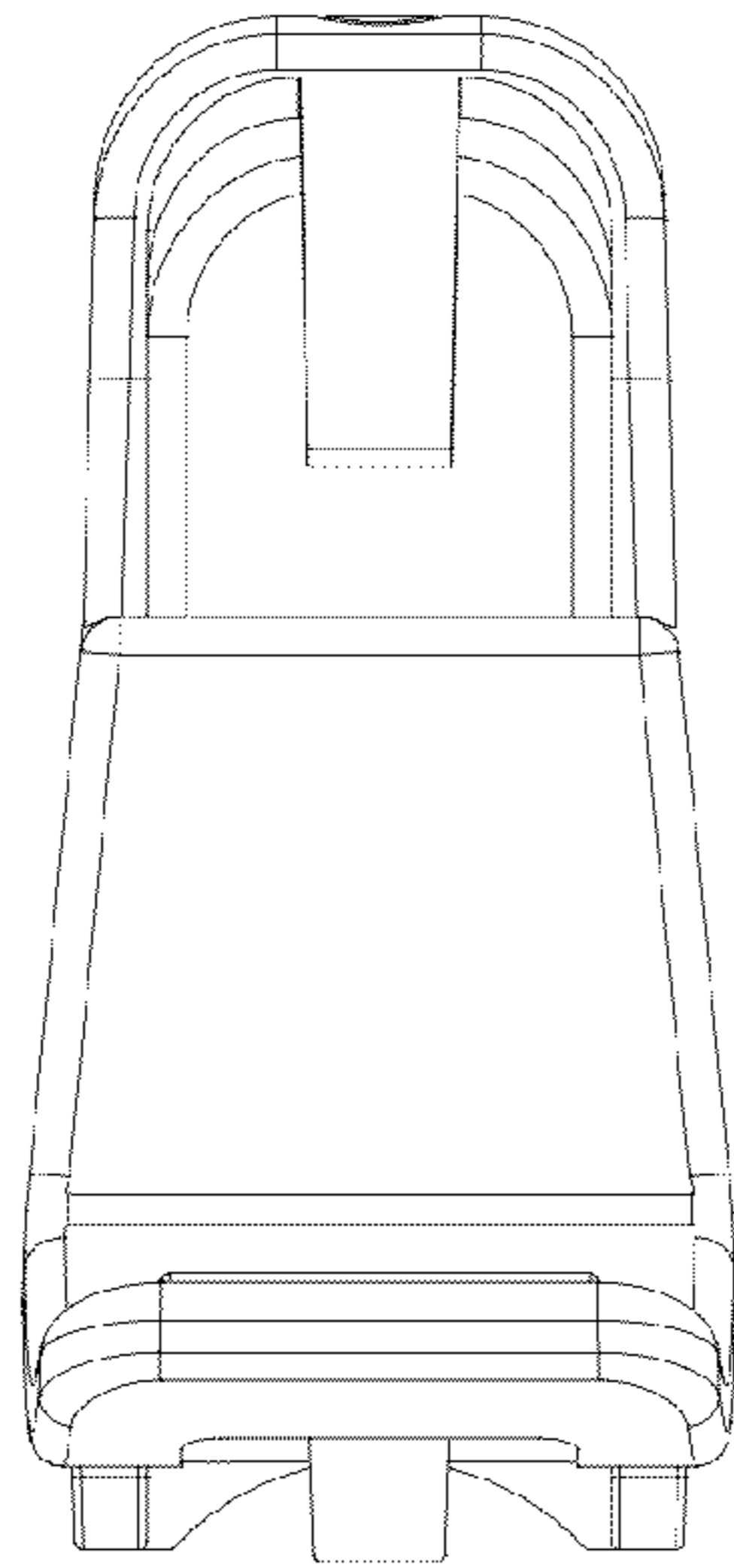


FIG. 6

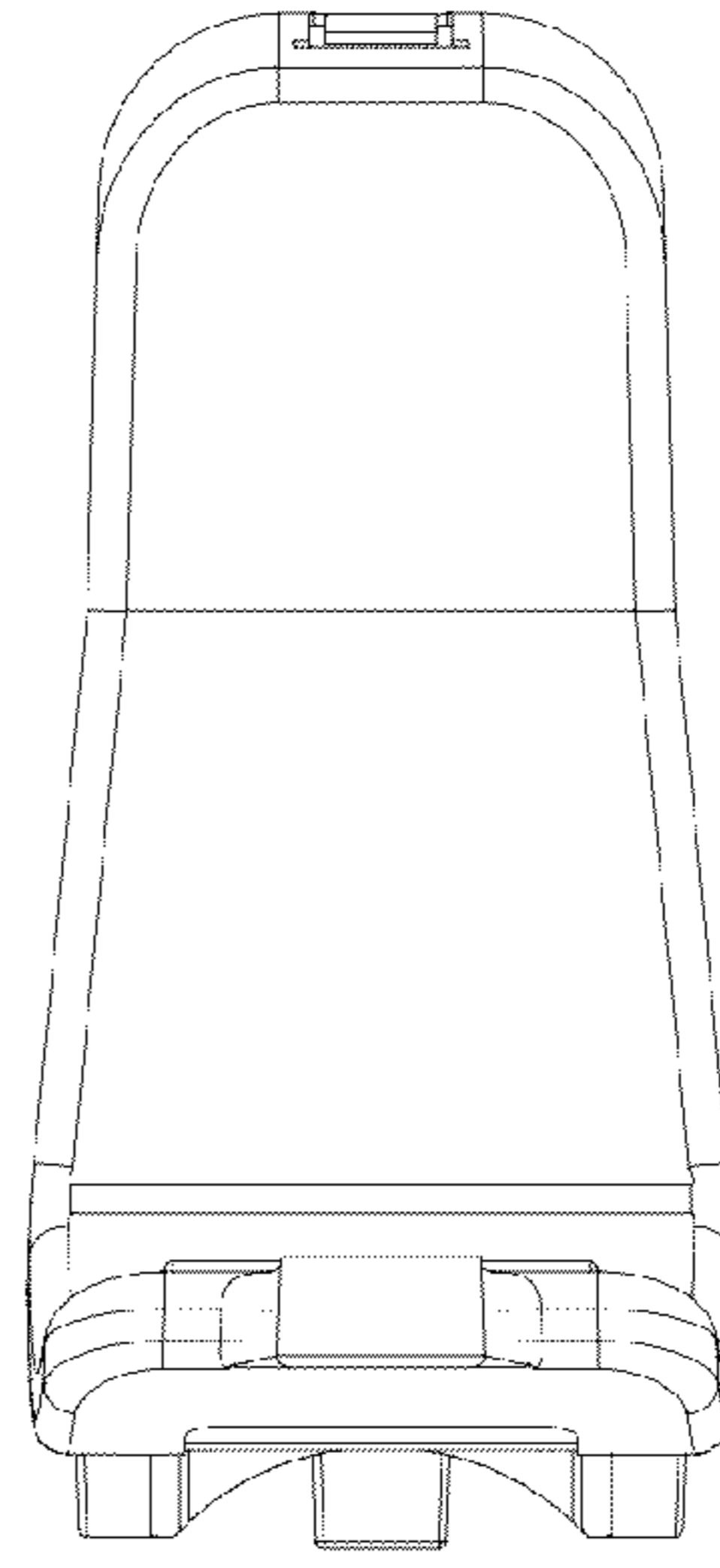


FIG. 7

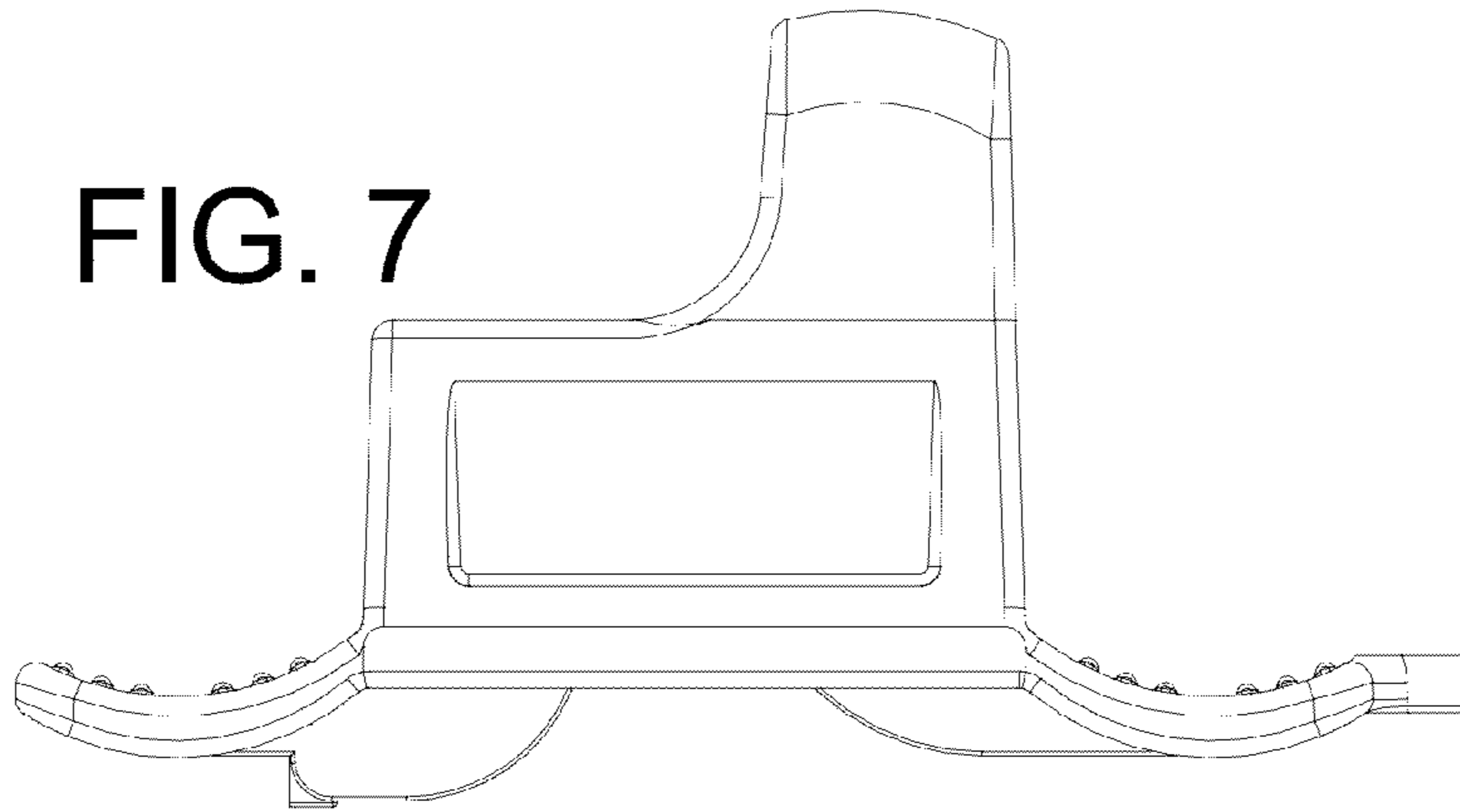


FIG. 8

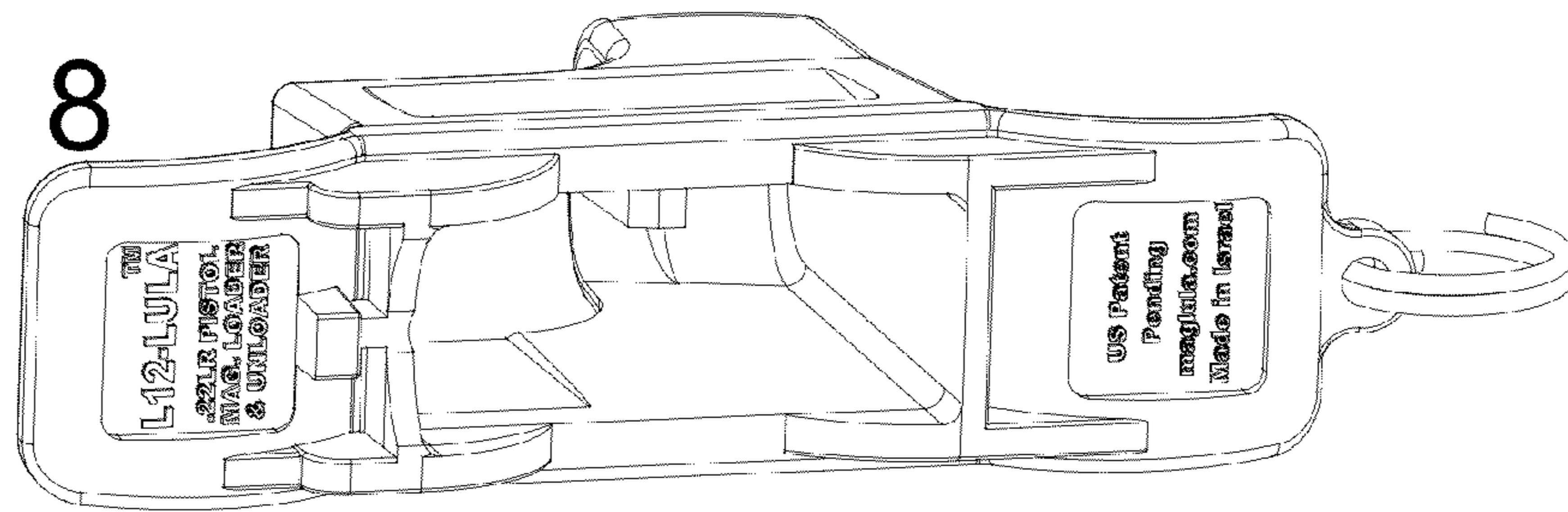


FIG. 9

