



US00D728065S

(12) **United States Design Patent**
Tal et al.

(10) **Patent No.:** **US D728,065 S**

(45) **Date of Patent:** **** Apr. 28, 2015**

(54) **FIREARM MAGAZINE BENCH LOADER**

(71) Applicants: **Guy Tal**, Rosh Ha'ayin (IL); **Ran Tal**,
Tel-Aviv (IL)

(72) Inventors: **Guy Tal**, Rosh Ha'ayin (IL); **Ran Tal**,
Tel-Aviv (IL)

(**) Term: **14 Years**

(21) Appl. No.: **29/479,175**

(22) Filed: **Jan. 13, 2014**

(51) **LOC (10) Cl.** **22-99**

(52) **U.S. Cl.**
USPC **D22/199**

(58) **Field of Classification Search**
CPC F41A 9/82; F41A 9/83; F41A 9/84;
F41A 9/85
USPC D22/108, 199; 86/48; 42/87, 88, 90, 99,
42/106; 89/45
See application file for complete search history.

(56) **References Cited**

U.S. PATENT DOCUMENTS

2,834,137	A *	5/1958	Kunz	42/87
3,030,724	A *	4/1962	Curran	42/88
4,291,483	A *	9/1981	Musgrave	42/87
4,574,511	A *	3/1986	Csongor	42/87
4,689,909	A *	9/1987	Howard	42/87
4,719,715	A *	1/1988	Howard	42/87
5,669,171	A *	9/1997	Sally	42/87
7,059,077	B2 *	6/2006	Tal et al.	42/88
7,637,048	B2 *	12/2009	Tal et al.	42/87
7,805,874	B2 *	10/2010	Tal et al.	42/87
8,915,007	B1 *	12/2014	Williams	42/88
8,931,199	B1 *	1/2015	Cauley et al.	42/87

* cited by examiner

Primary Examiner — Michael A Pratt

(74) *Attorney, Agent, or Firm* — David Pressman

(57) **CLAIM**

The ornamental design for a firearm magazine bench loader, as shown and described.

DESCRIPTION

FIG. 1 is a perspective view of our firearm magazine bench loader and including a slider that is part of the bench loader, taken from above and slightly to the left.

FIG. 2 is a top plan view of the bench loader including the slider.

FIG. 3 is a bottom view of the bench loader.

FIG. 4 is an elevational view of the bench loader including the slider taken from the back side.

FIG. 5 is a perspective view of the bench loader including the slider taken from slightly above and the right.

FIG. 6 is an elevational view of the bench loader including the slider taken from the left end.

FIG. 7 is a perspective view of the loader with the slider removed to show detail taken from above and the right end.

FIG. 8 is a perspective view of the loader taken from below and the front side.

FIG. 9 is a perspective view of the loader taken from below and the rear from the right side.

FIG. 10 is a perspective view of the loader taken from below and from the right rear.

FIG. 11 is a perspective view of the loader taken from above and the left rear; and,

FIG. 12 is a perspective view of the loader taken from above and the rear.

1 Claim, 4 Drawing Sheets

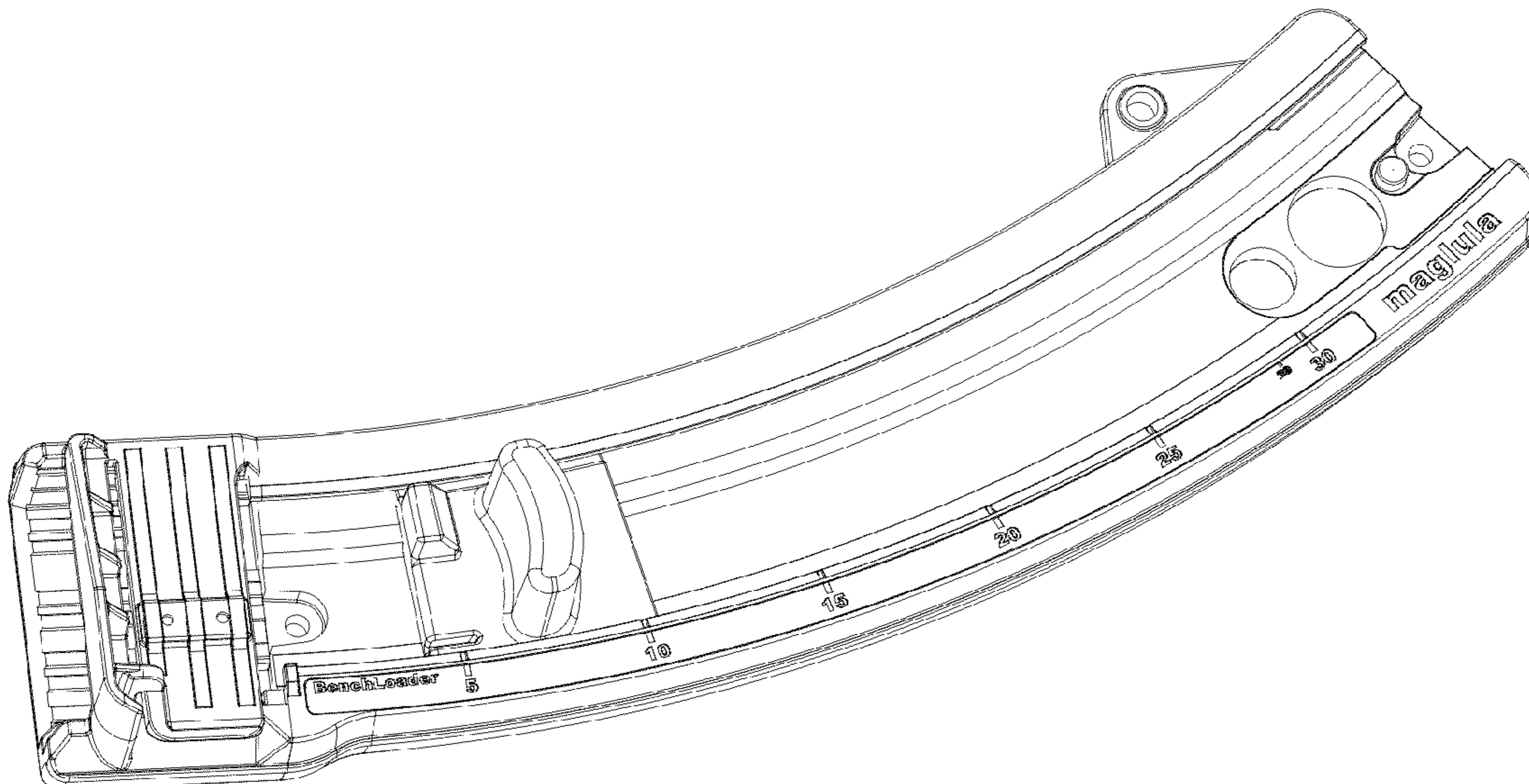


FIG. 1

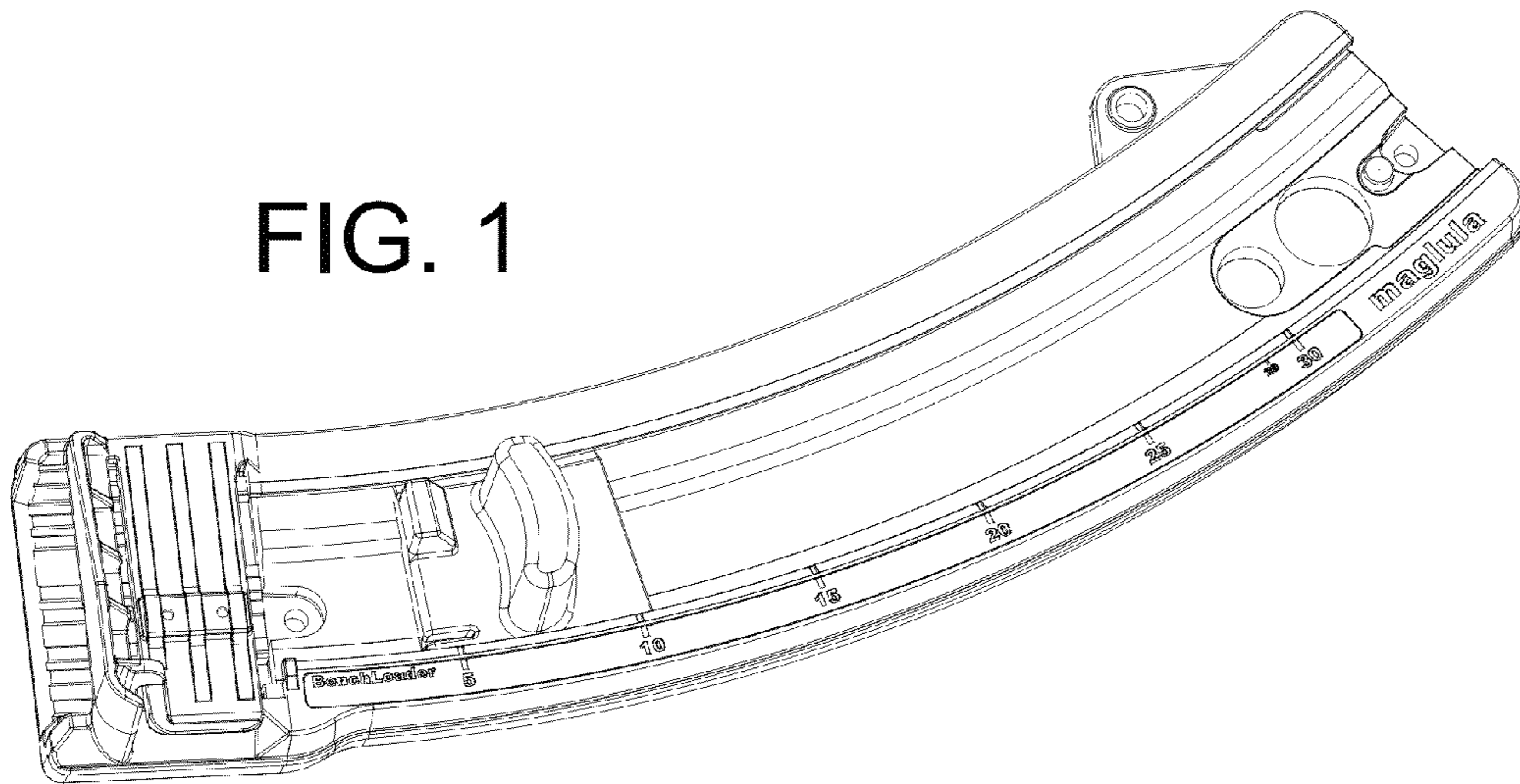


FIG. 2

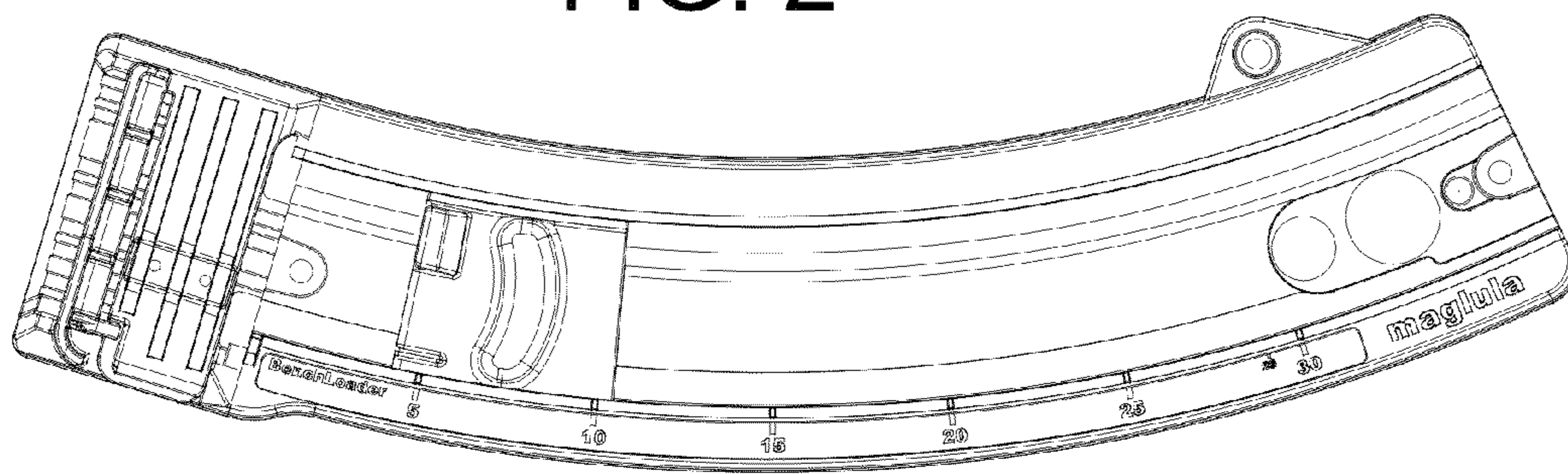


FIG. 3

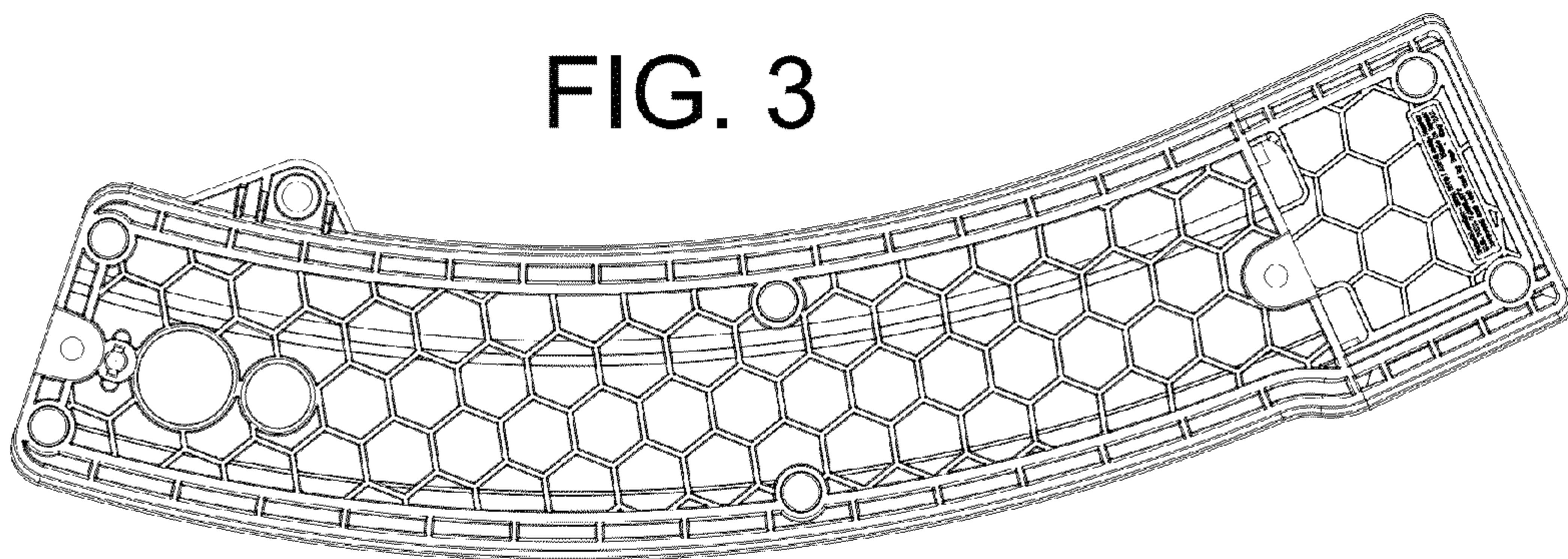


FIG. 4

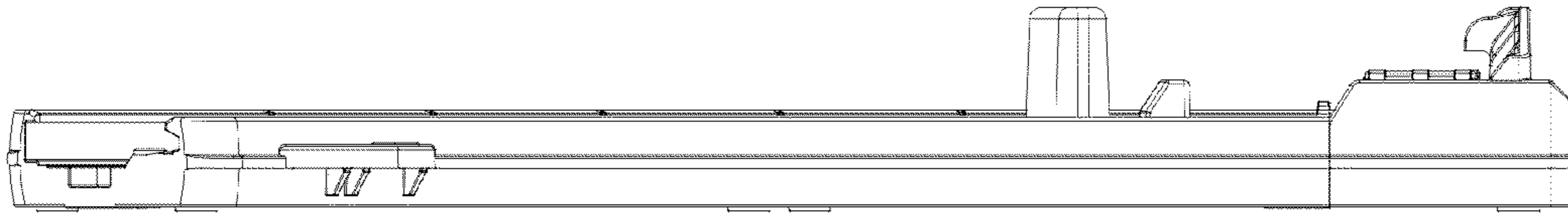


FIG. 5

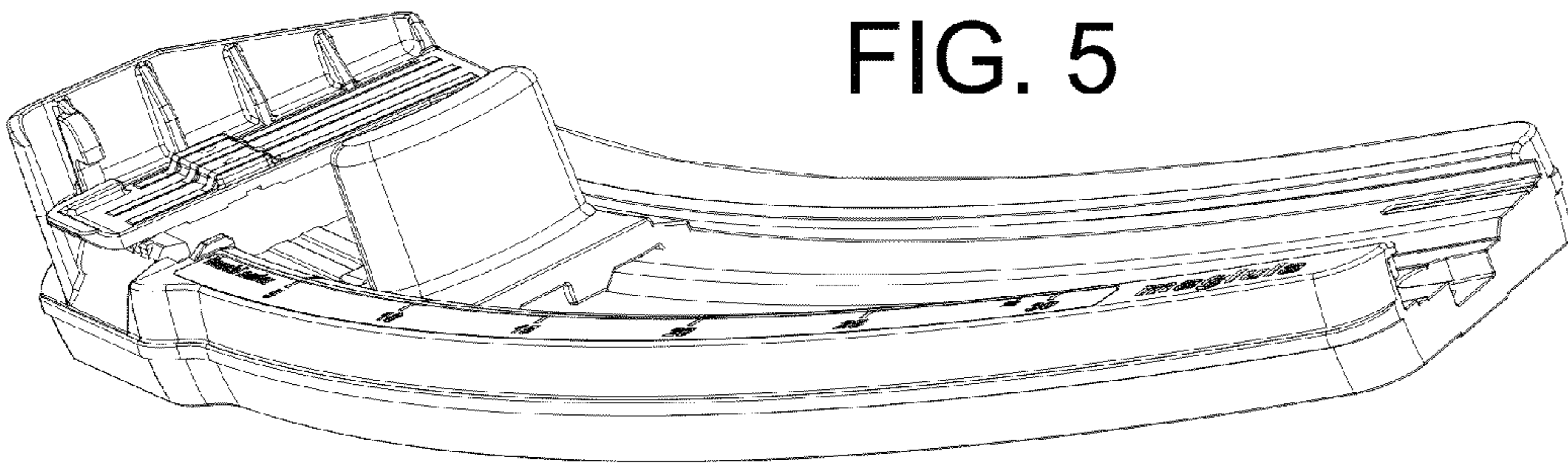


FIG. 6

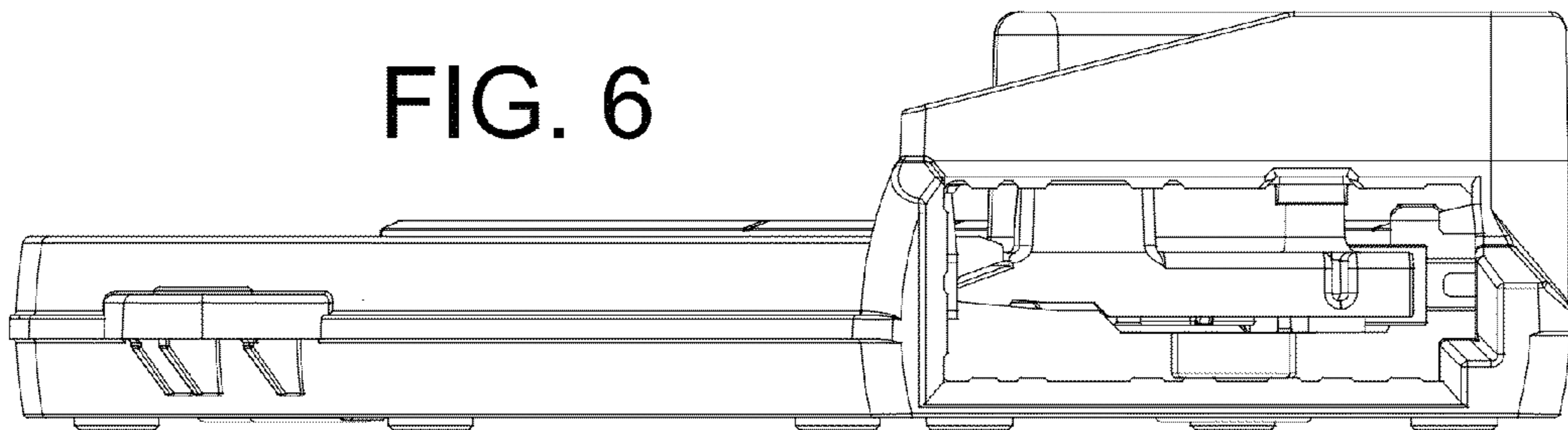


FIG. 7

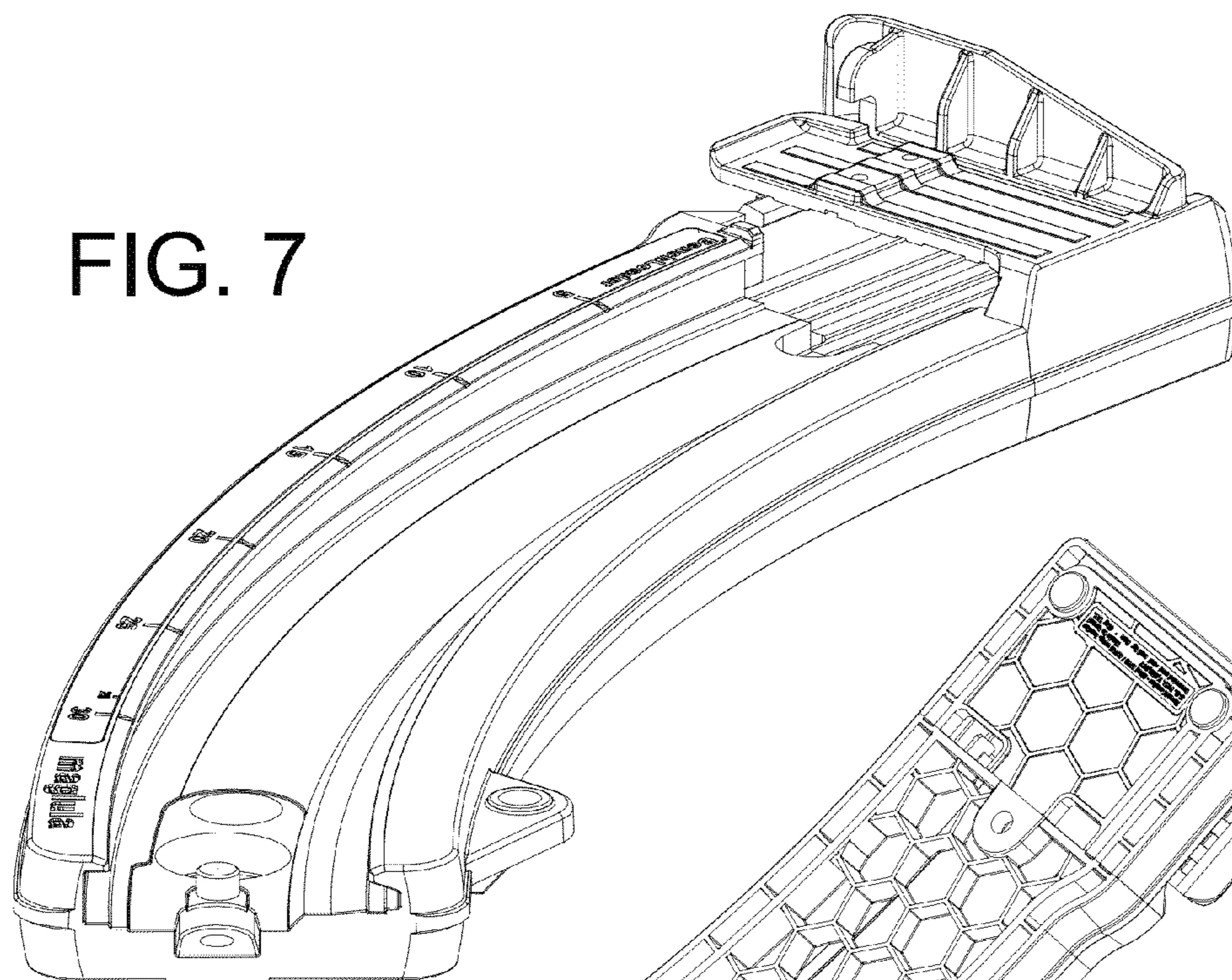


FIG. 8

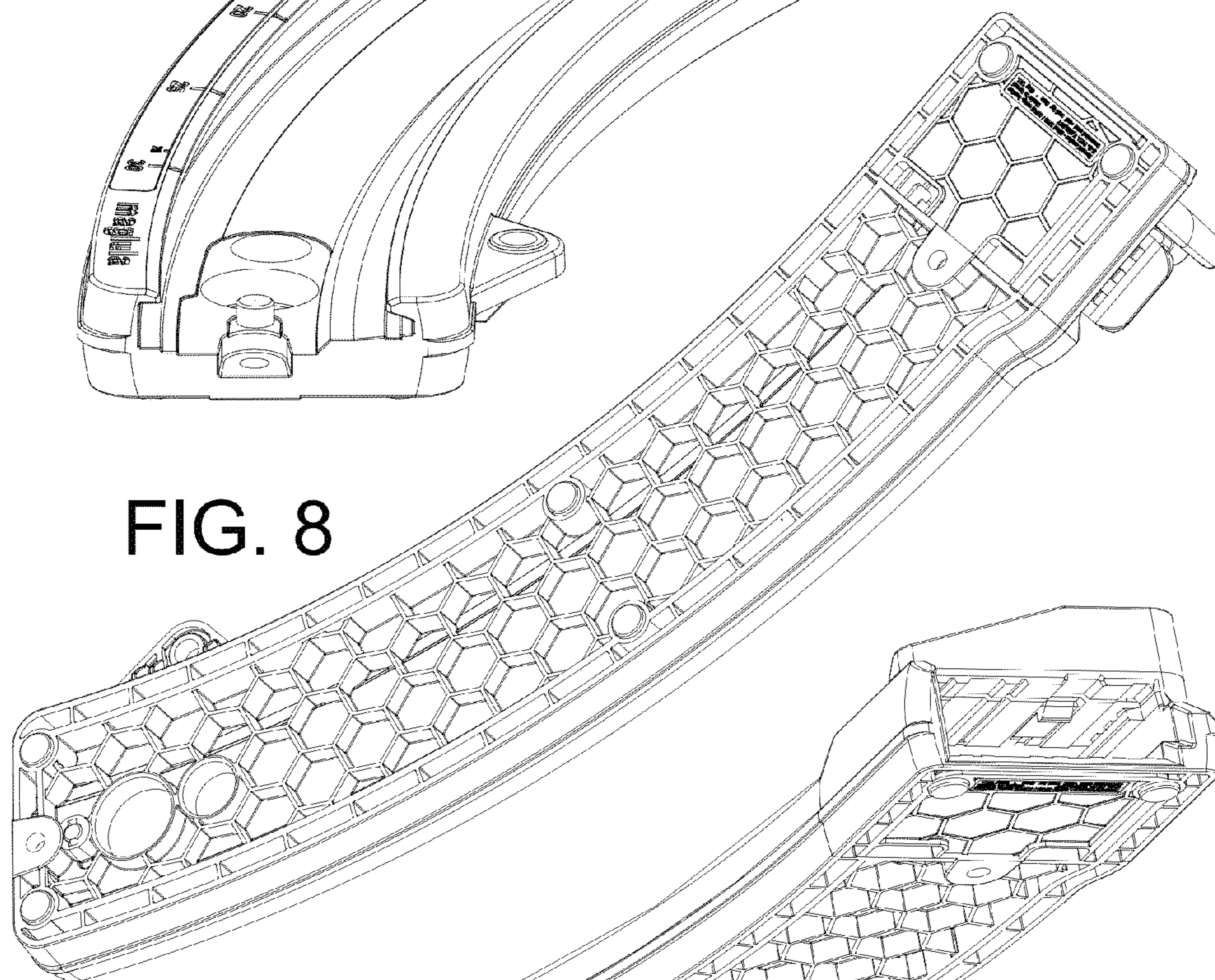
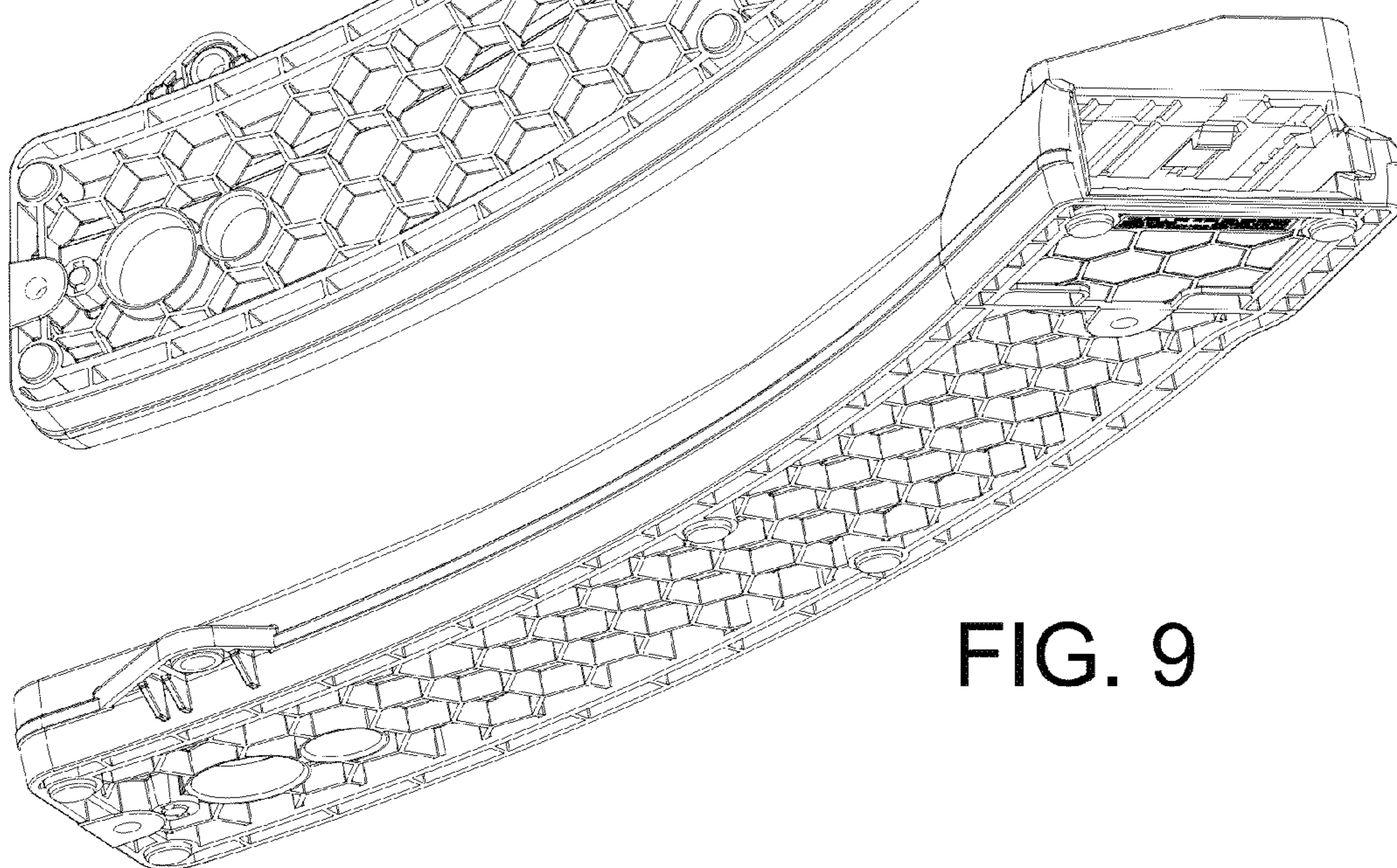


FIG. 9



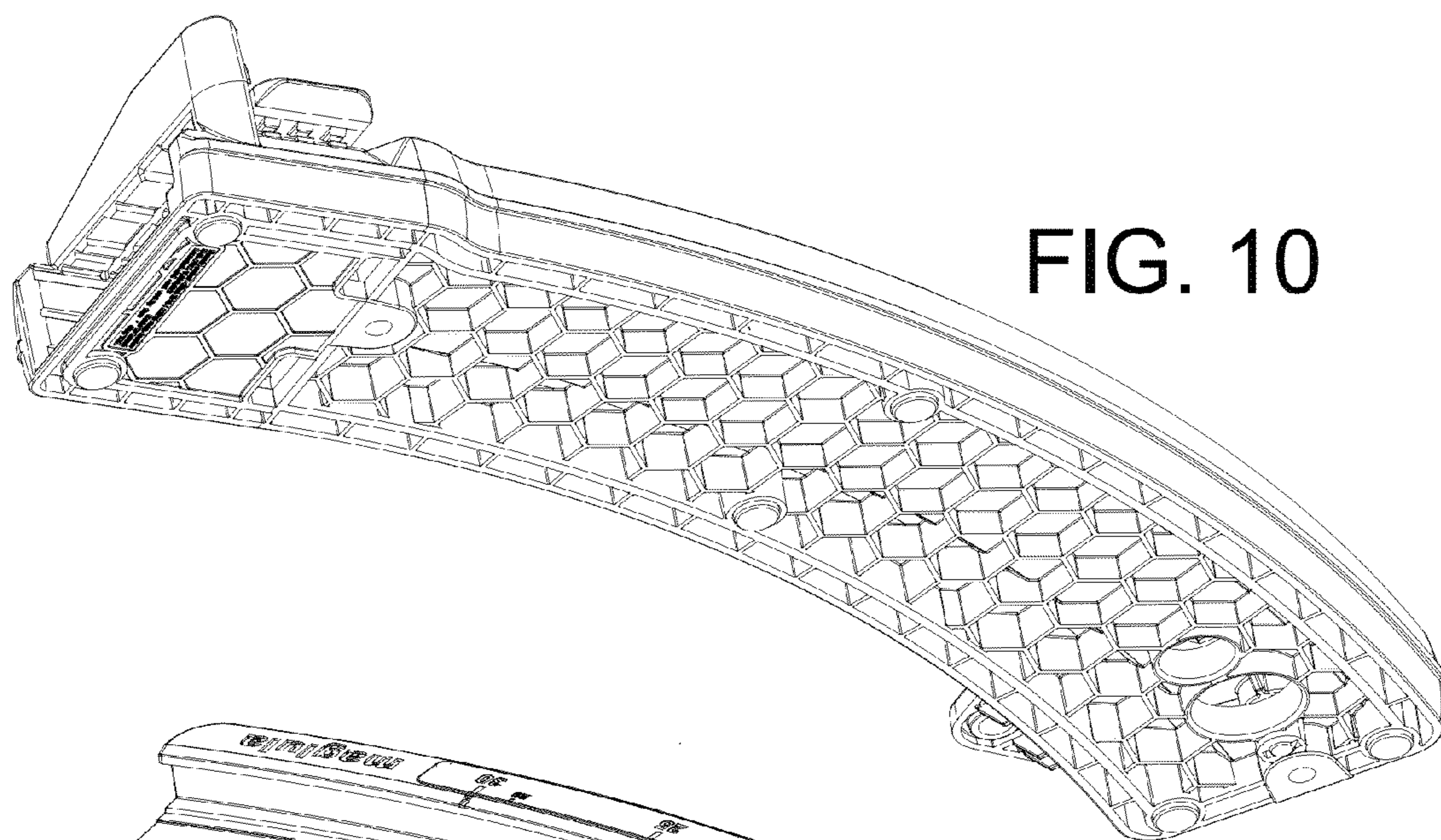


FIG. 10

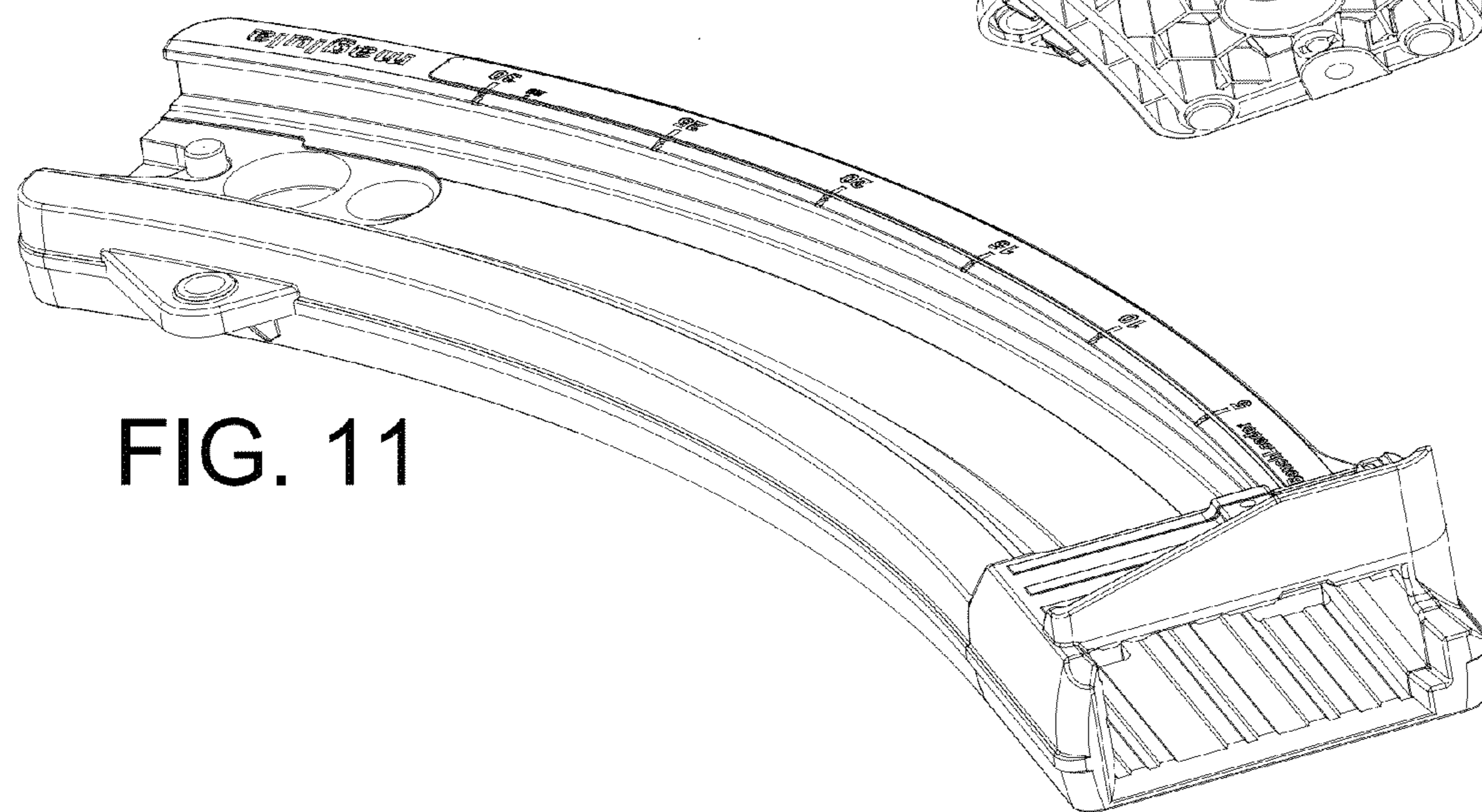


FIG. 11

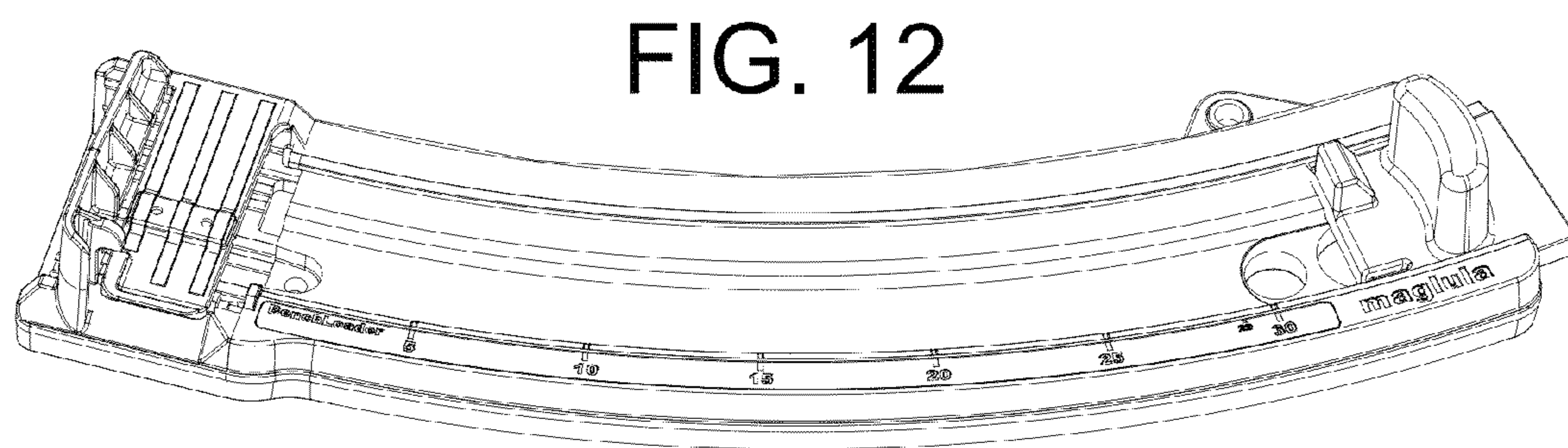


FIG. 12