



US00D728064S

(12) **United States Design Patent**  
**Stecher**

(10) **Patent No.:** **US D728,064 S**  
(45) **Date of Patent:** **\*\* Apr. 28, 2015**

(54) **FISHING LURE DESIGN**

(71) Applicant: **Scott D. Stecher**, Marblehead, OH (US)

(72) Inventor: **Scott D. Stecher**, Marblehead, OH (US)

(\*\*) Term: **14 Years**

(21) Appl. No.: **29/467,144**

(22) Filed: **Sep. 16, 2013**

(51) **LOC (10) Cl.** ..... **22-05**

(52) **U.S. Cl.**  
USPC ..... **D22/133**

(58) **Field of Classification Search**

CPC ..... A01K 85/10; A01K 85/12; A01K 85/14;  
A01K 85/16

USPC ..... D22/126-133; 43/42.06, 42.4, 42.48,  
43/44.97, 42.31, 42.24, 42.28, 42.35,  
43/42.49

See application file for complete search history.

(56) **References Cited**

**U.S. PATENT DOCUMENTS**

2,933,846 A \* 4/1960 Garner ..... 43/42.48  
D233,037 S \* 10/1974 Miller ..... D22/133  
D327,939 S 7/1992 Stecher  
5,133,146 A 7/1992 Stecher

D437,025 S \* 1/2001 Peck ..... D22/133  
D441,790 S \* 5/2001 Cox ..... D22/131  
7,293,386 B2 \* 11/2007 Thomas ..... 43/42.4  
D624,146 S \* 9/2010 Minkler ..... D22/126  
D677,750 S \* 3/2013 King, Jr. .... D22/126

\* cited by examiner

*Primary Examiner* — Catheri Oliver-Garcia

(74) *Attorney, Agent, or Firm* — Fay Sharpe LLP

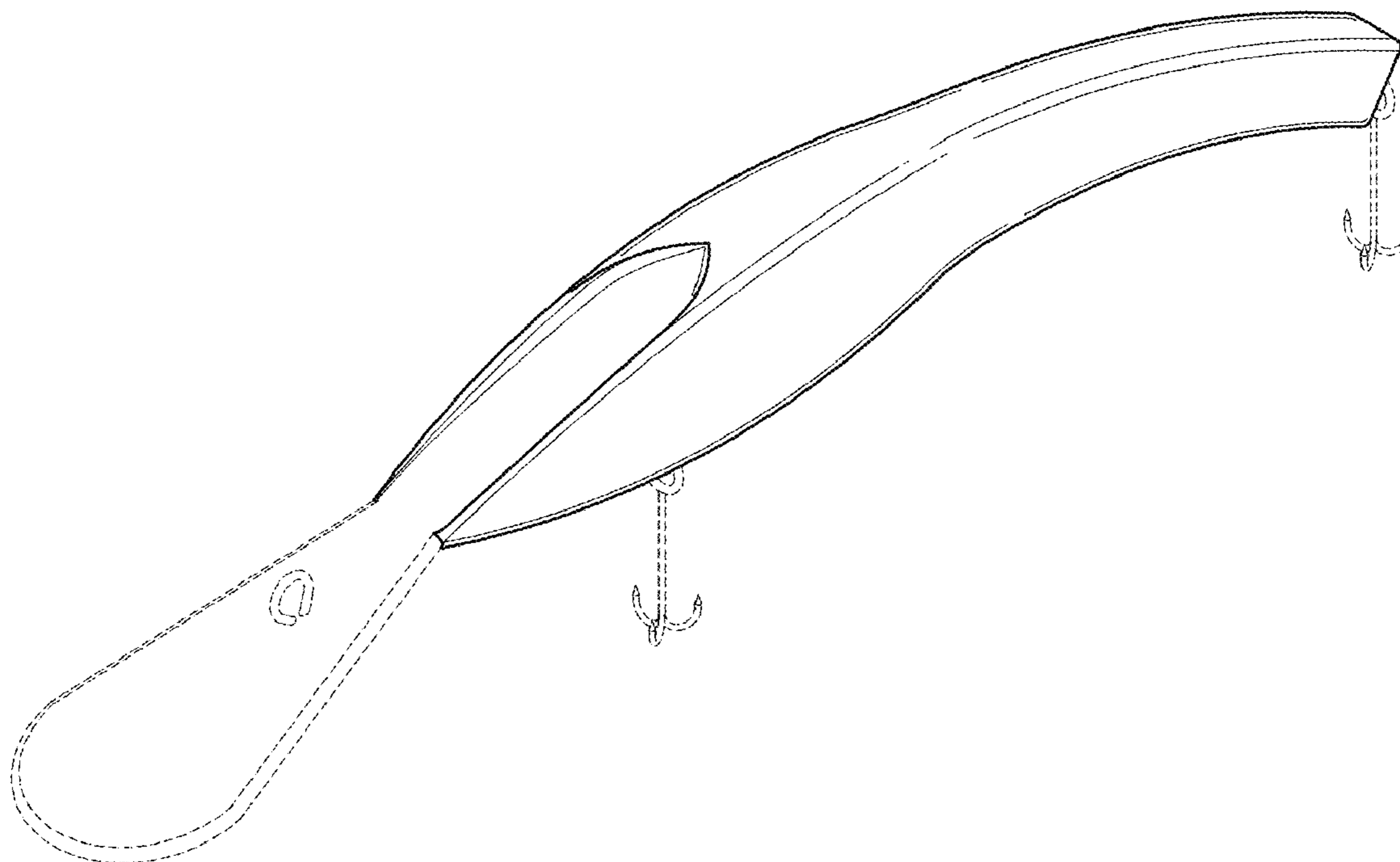
(57) **CLAIM**

The ornamental design for a fishing lure design, as shown and described.

**DESCRIPTION**

FIG. 1 is a top right side perspective view of a fishing lure design, showing my new design;  
FIG. 2 is a left side elevational view thereof;  
FIG. 3 is a front elevational view thereof;  
FIG. 4 is a rear elevational view thereof;  
FIG. 5 is a top plan view thereof;  
FIG. 6 is a bottom plan view thereof; and,  
FIG. 7 is a bottom perspective view thereof.  
The broken line showing of environment in the drawings is included for the purpose of illustrating only and forms no part of the claimed design.

**1 Claim, 2 Drawing Sheets**



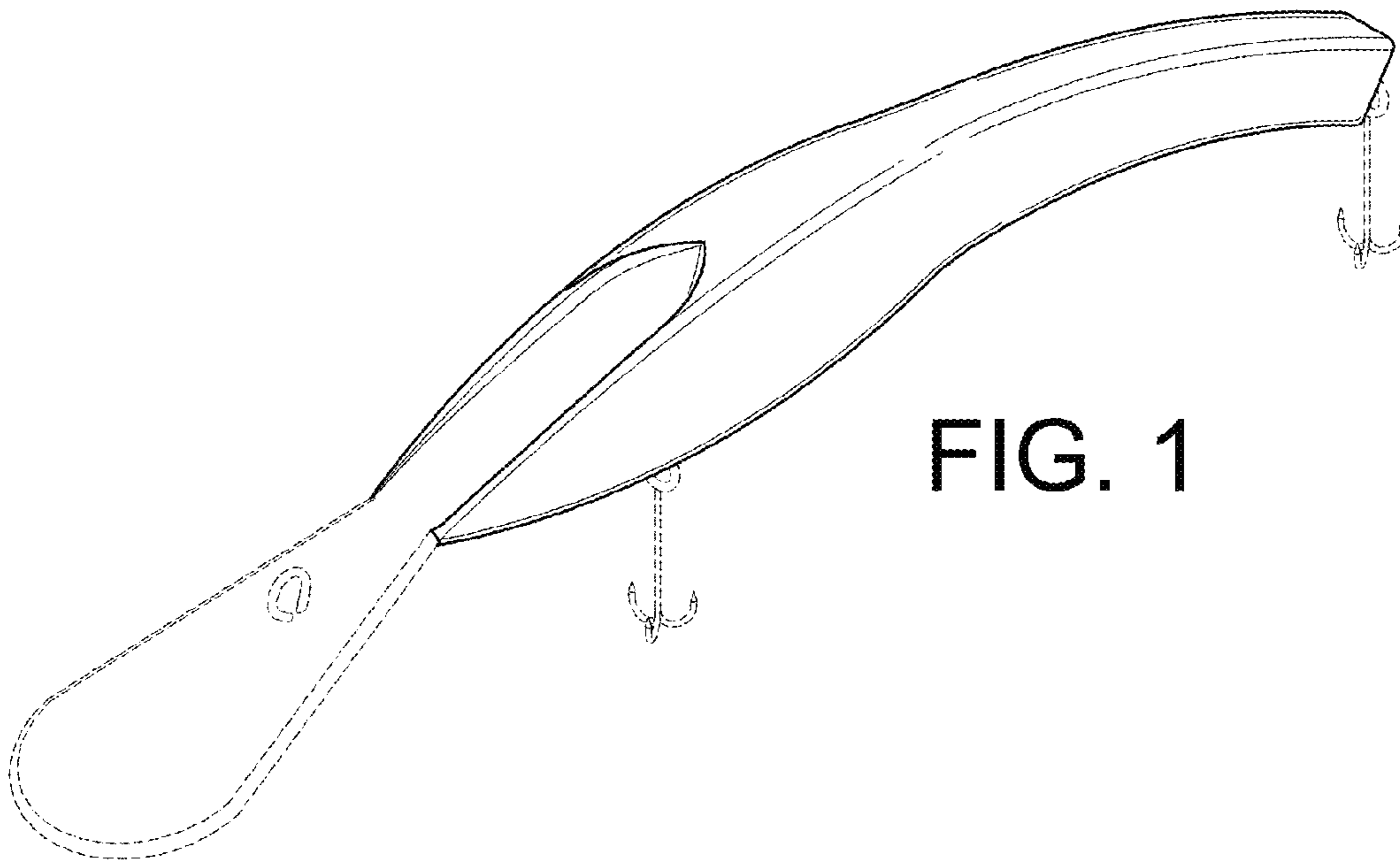


FIG. 1

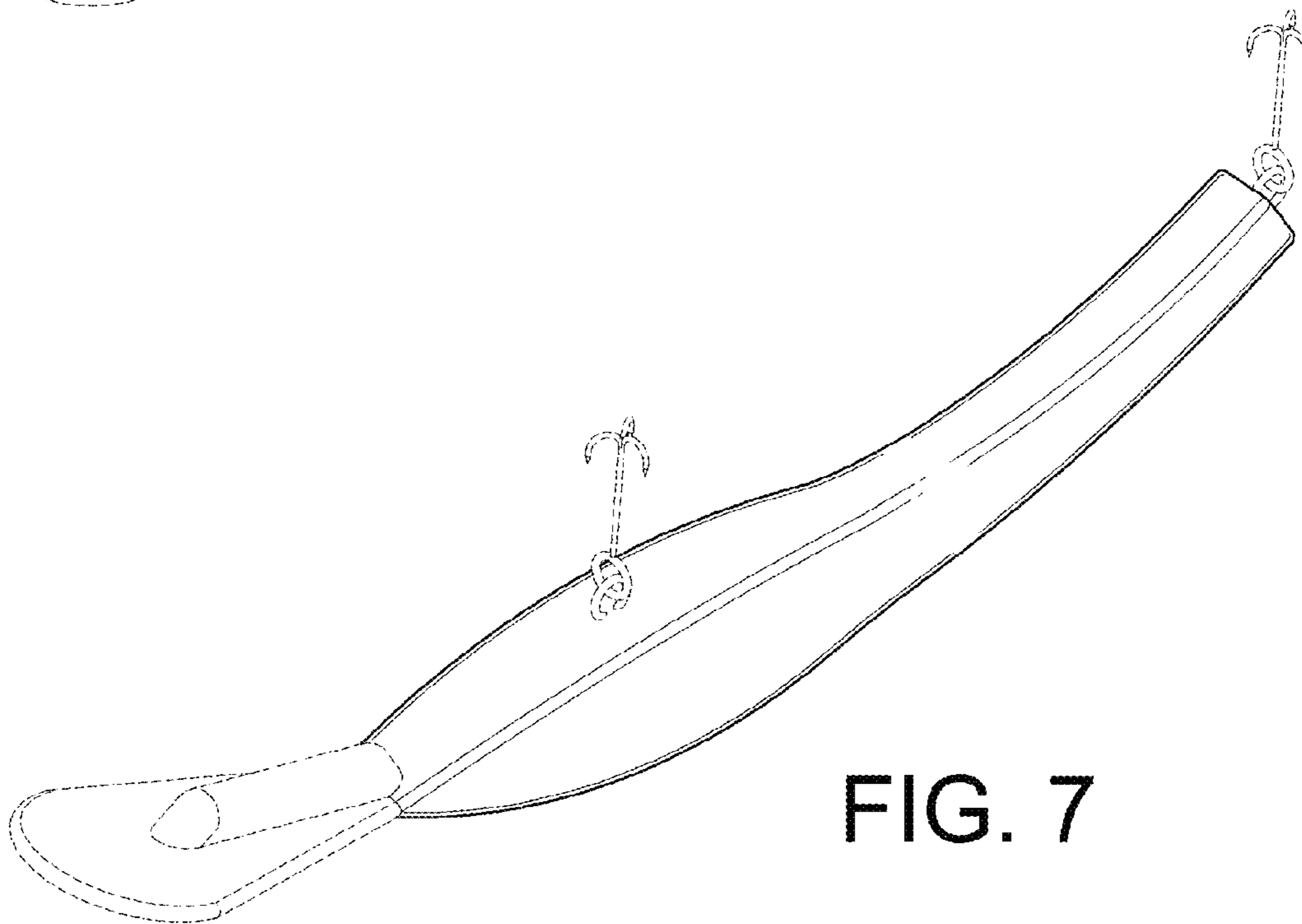


FIG. 7

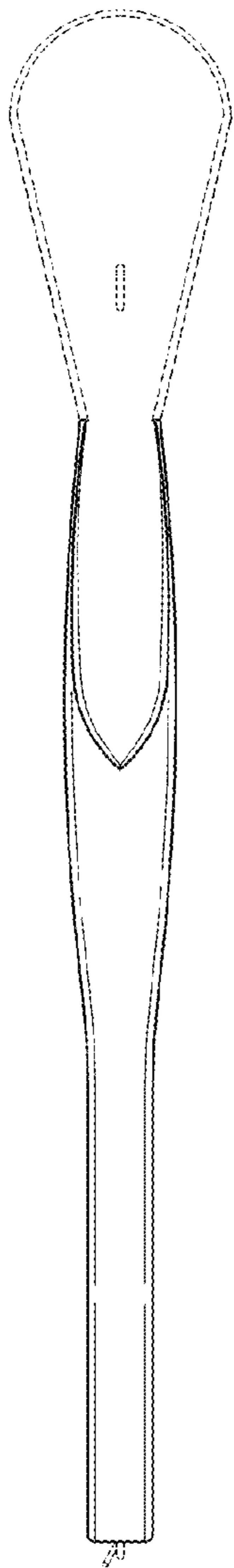


FIG. 5

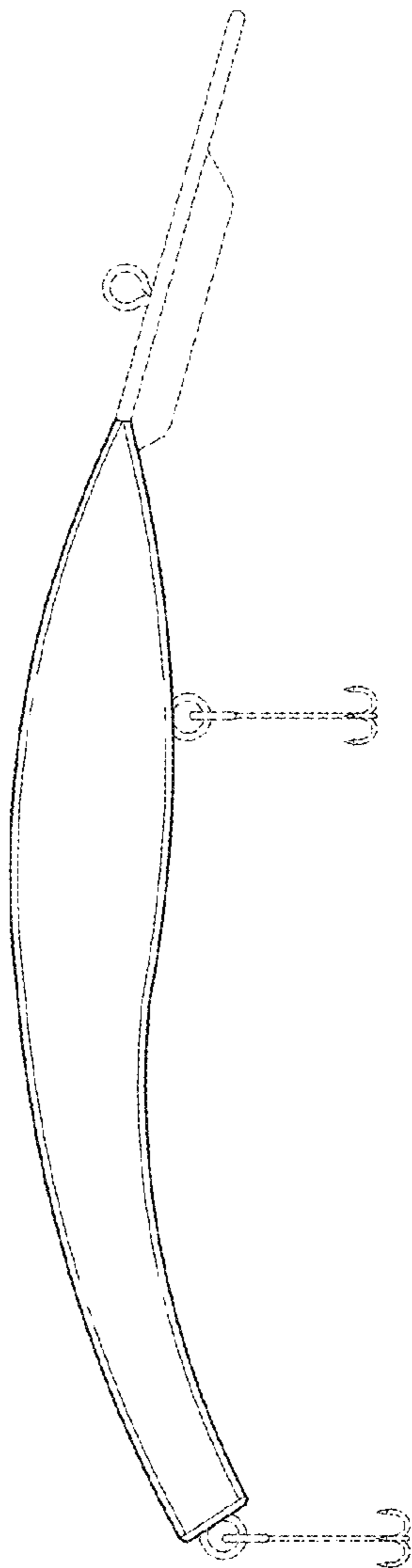


FIG. 2

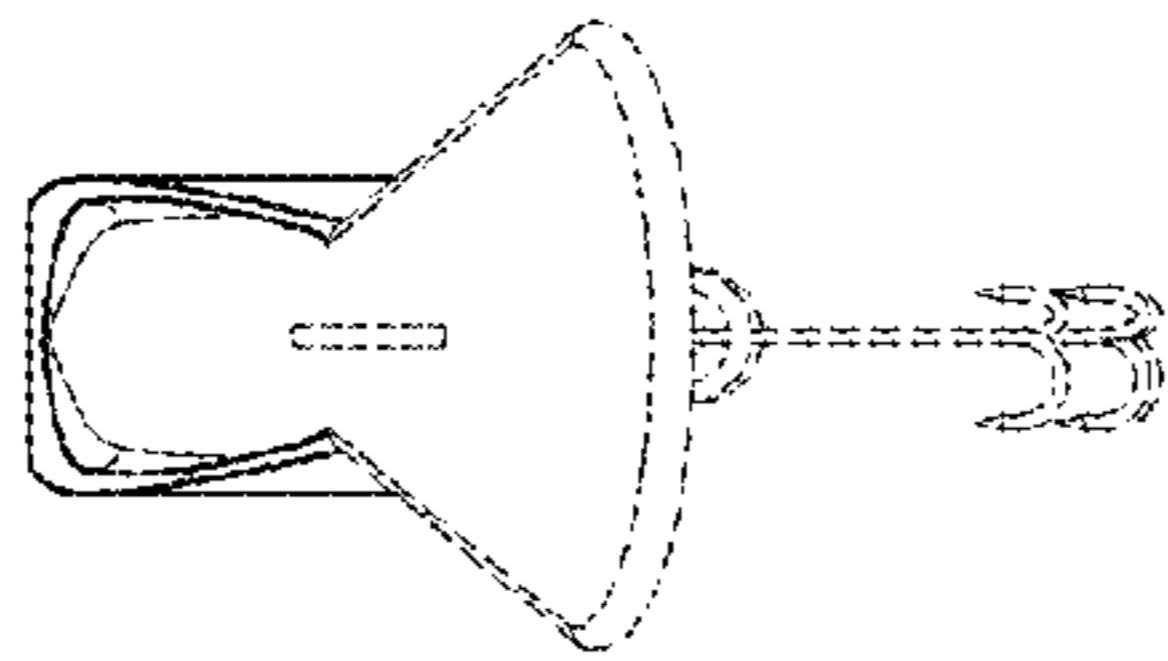


FIG. 3

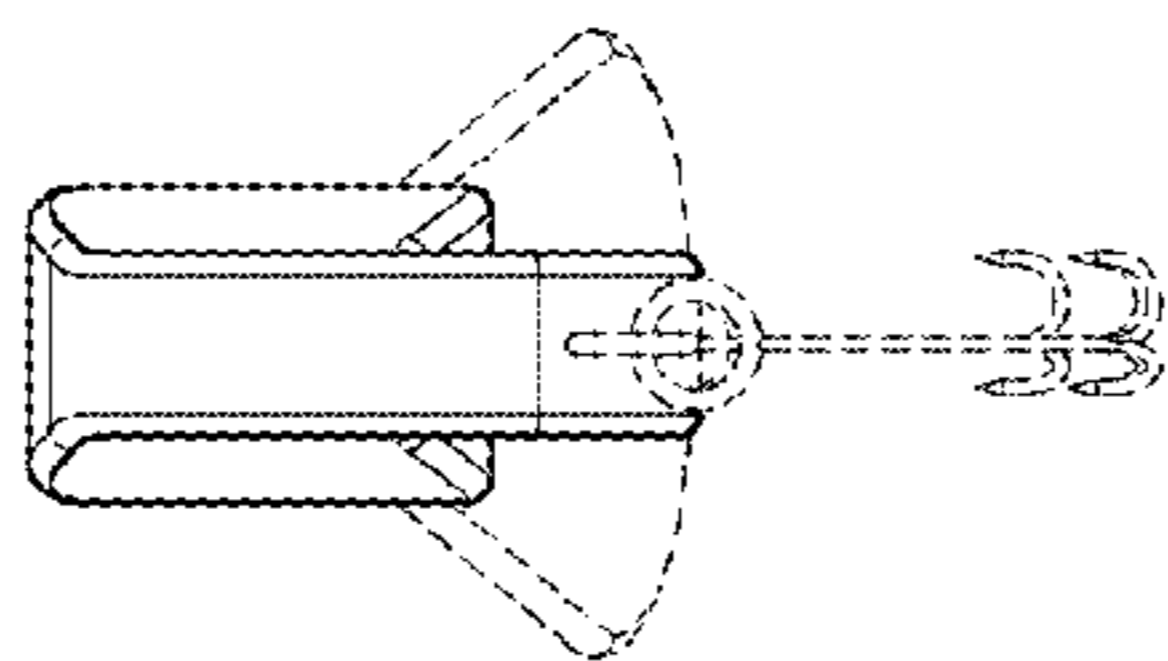


FIG. 4

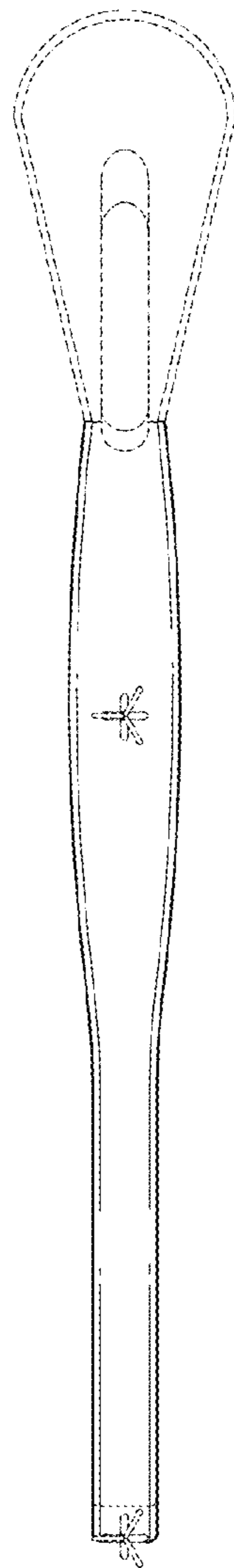


FIG. 6