



US00D728060S

(12) **United States Design Patent**
Vogl

(10) **Patent No.:** **US D728,060 S**
(45) **Date of Patent:** **** Apr. 28, 2015**

(54) **SCOPE**

- (71) Applicant: **Fabian Vogl**, Salzburg (AT)
- (72) Inventor: **Fabian Vogl**, Salzburg (AT)
- (73) Assignee: **Carl Zeiss Sports Optics GmbH**,
Wetzlar (DE)
- (**) Term: **14 Years**
- (21) Appl. No.: **29/476,322**
- (22) Filed: **Dec. 12, 2013**
- (51) **LOC (10) Cl.** **22-01**
- (52) **U.S. Cl.**
USPC **D22/109**
- (58) **Field of Classification Search**
CPC F41G 1/00; F41G 1/01; F41G 1/02;
F41G 1/06; F41G 1/065; F41G 1/08; F41G
1/10; F41G 1/12; F41G 1/14; F41G 1/30;
F41G 1/32; F41G 1/38; F41G 1/40; F41G
1/42; F41G 1/44; F41G 1/46; F41G 1/383;
F41G 1/387; F41G 1/393; F41G 3/00; F41G
3/005; F41G 3/02; F41G 3/04; F41G 3/06;
F41G 3/14; F41G 11/002; F41G 11/003;
F41G 11/004; F41G 11/005
USPC D22/108–109; D16/130, 132–134, 330;
359/399, 823, 744; 42/111, 133, 119,
42/122

See application file for complete search history.

(56) **References Cited**

U.S. PATENT DOCUMENTS

4,952,041	A *	8/1990	Sandall	359/422
6,691,447	B1 *	2/2004	Otteman	42/122
D668,312	S *	10/2012	Asano	D22/109
D681,152	S *	4/2013	Burzel et al.	D22/109
D689,163	S *	9/2013	Radau et al.	D22/109
D706,380	S *	6/2014	Gardiner et al.	D22/109
D707,324	S *	6/2014	Radau et al.	D22/109
8,919,026	B2 *	12/2014	Hamilton	42/119
2014/0230306	A1 *	8/2014	Arachequesne	42/119
2014/0319216	A1 *	10/2014	Meinert et al.	235/406

* cited by examiner

Primary Examiner — Michael A Pratt

(74) *Attorney, Agent, or Firm* — Walter Ottesen P.A.

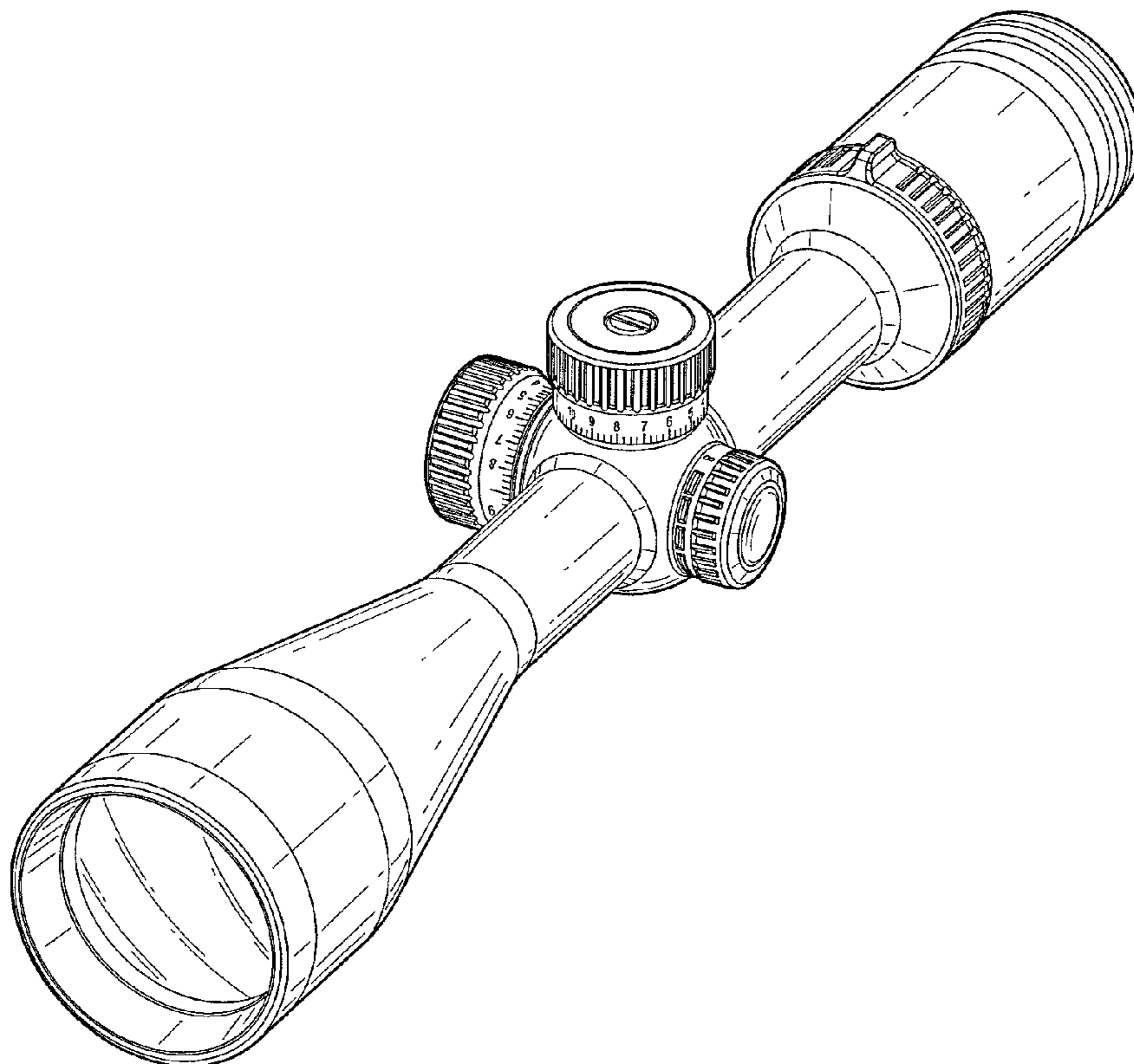
(57) **CLAIM**

The ornamental design for a scope, as shown and described.

DESCRIPTION

FIG. 1 is a perspective view of a scope of my new design;
 FIG. 2 is a left side elevation view of the scope of FIG. 1;
 FIG. 3 is a top plan view of the scope of FIG. 1;
 FIG. 4 is a bottom plan view of the scope of FIG. 1;
 FIG. 5 is a right side elevation view of the scope of FIG. 1;
 FIG. 6 is a front elevation view of the scope of FIG. 1; and
 FIG. 7 is a rear elevation view of the scope of FIG. 1.

1 Claim, 6 Drawing Sheets



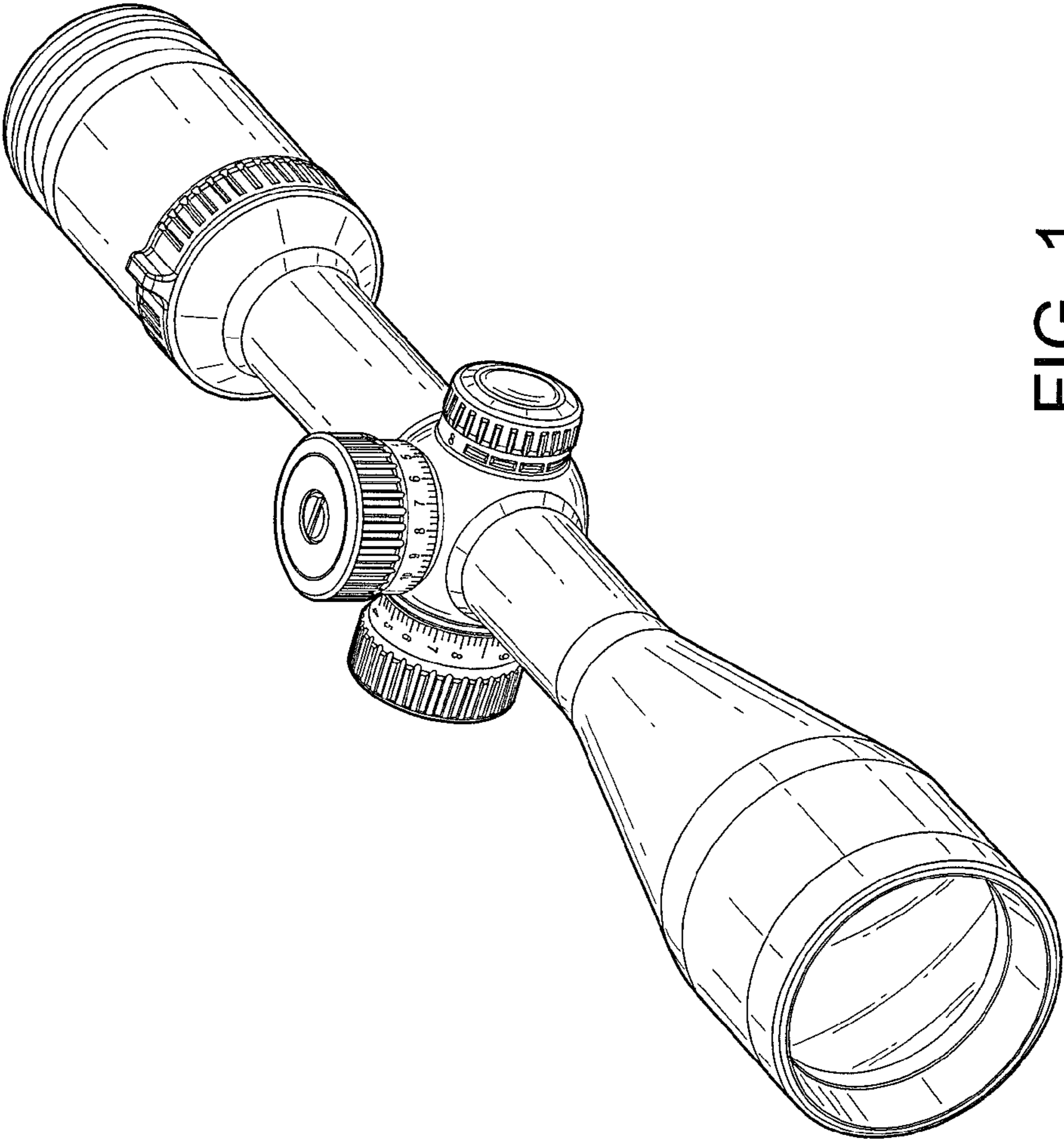


FIG. 1

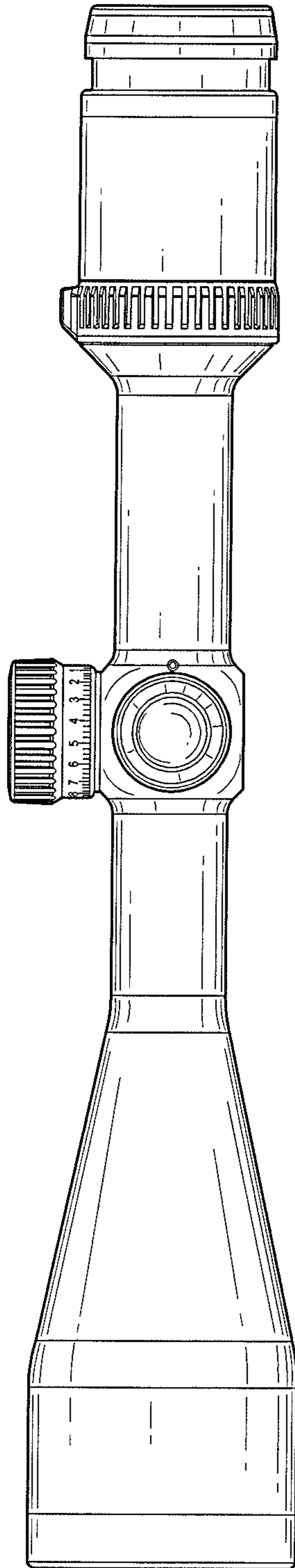


FIG. 2

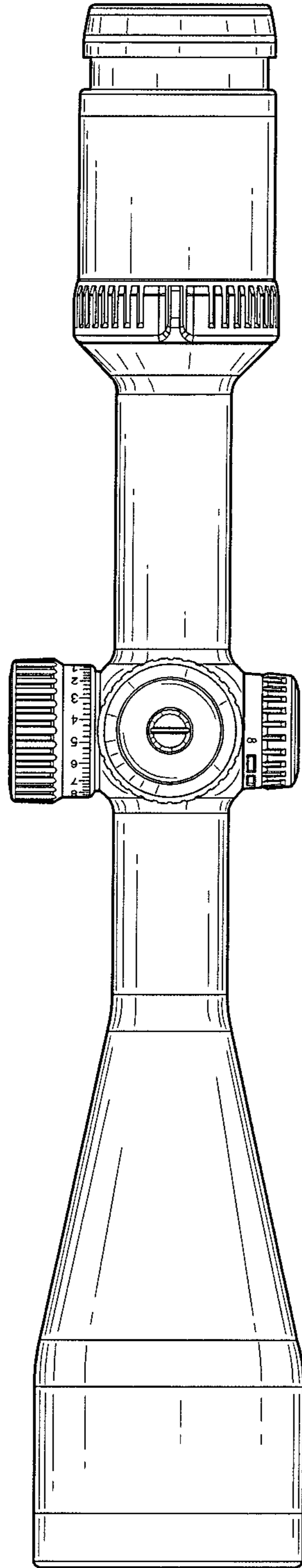


FIG. 3

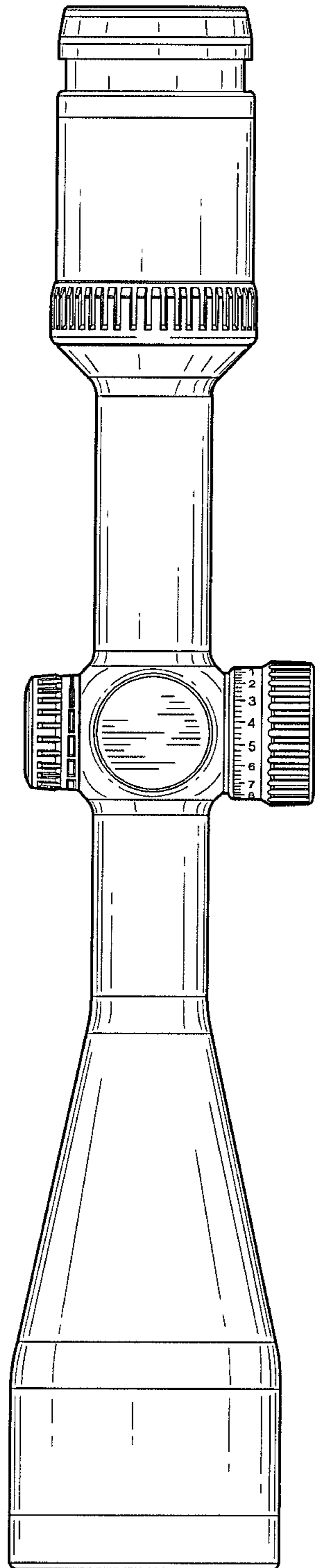


FIG. 4

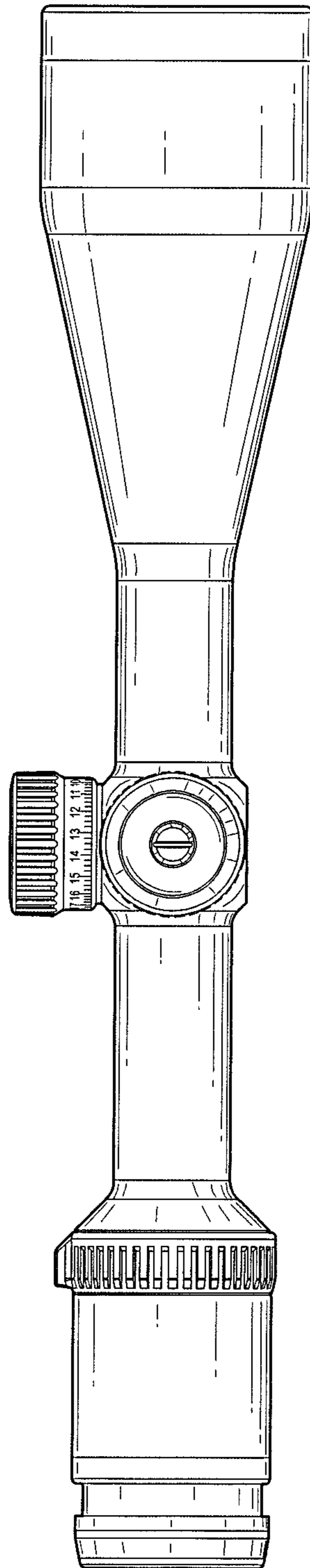


FIG. 5

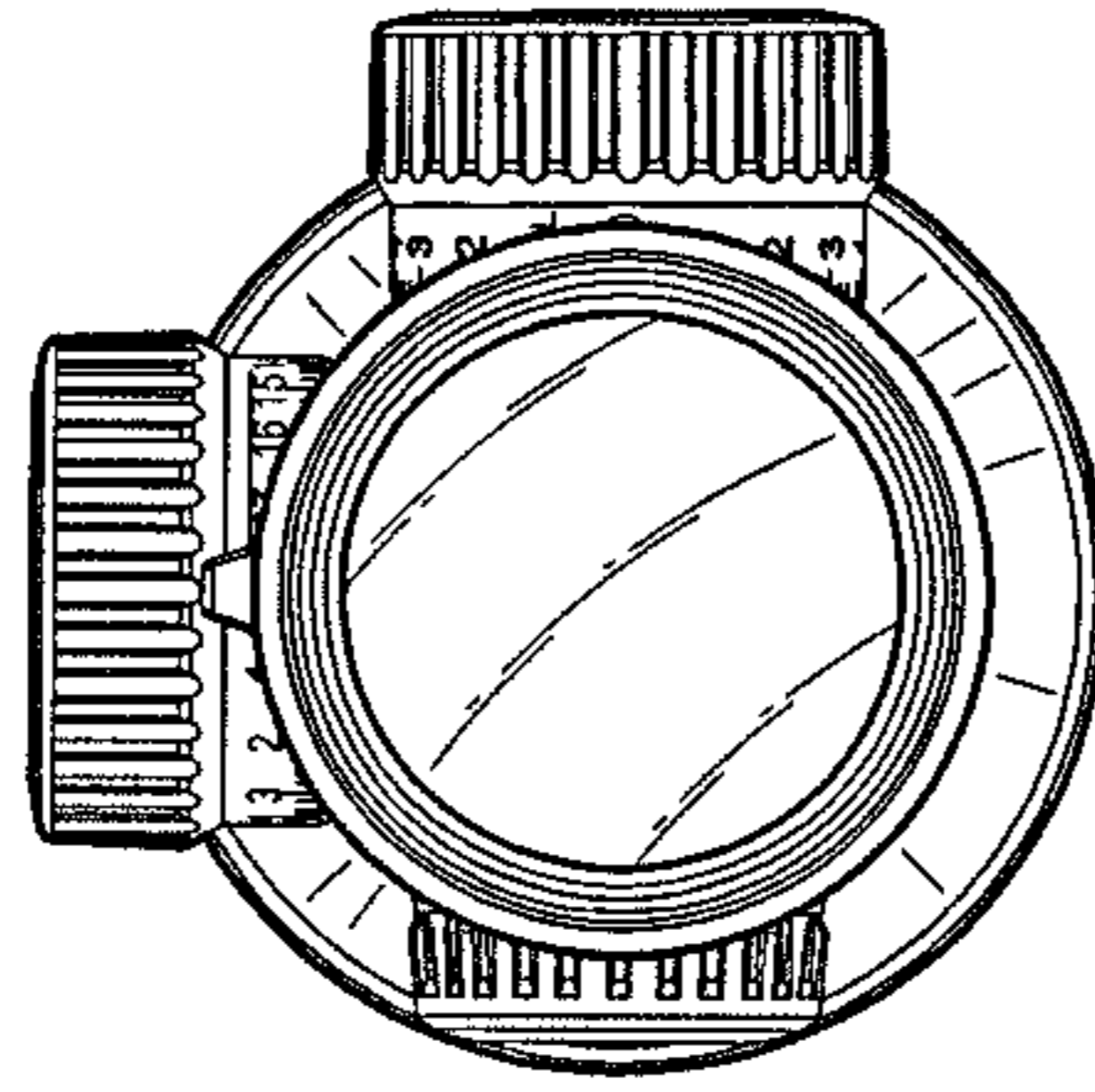


FIG. 7

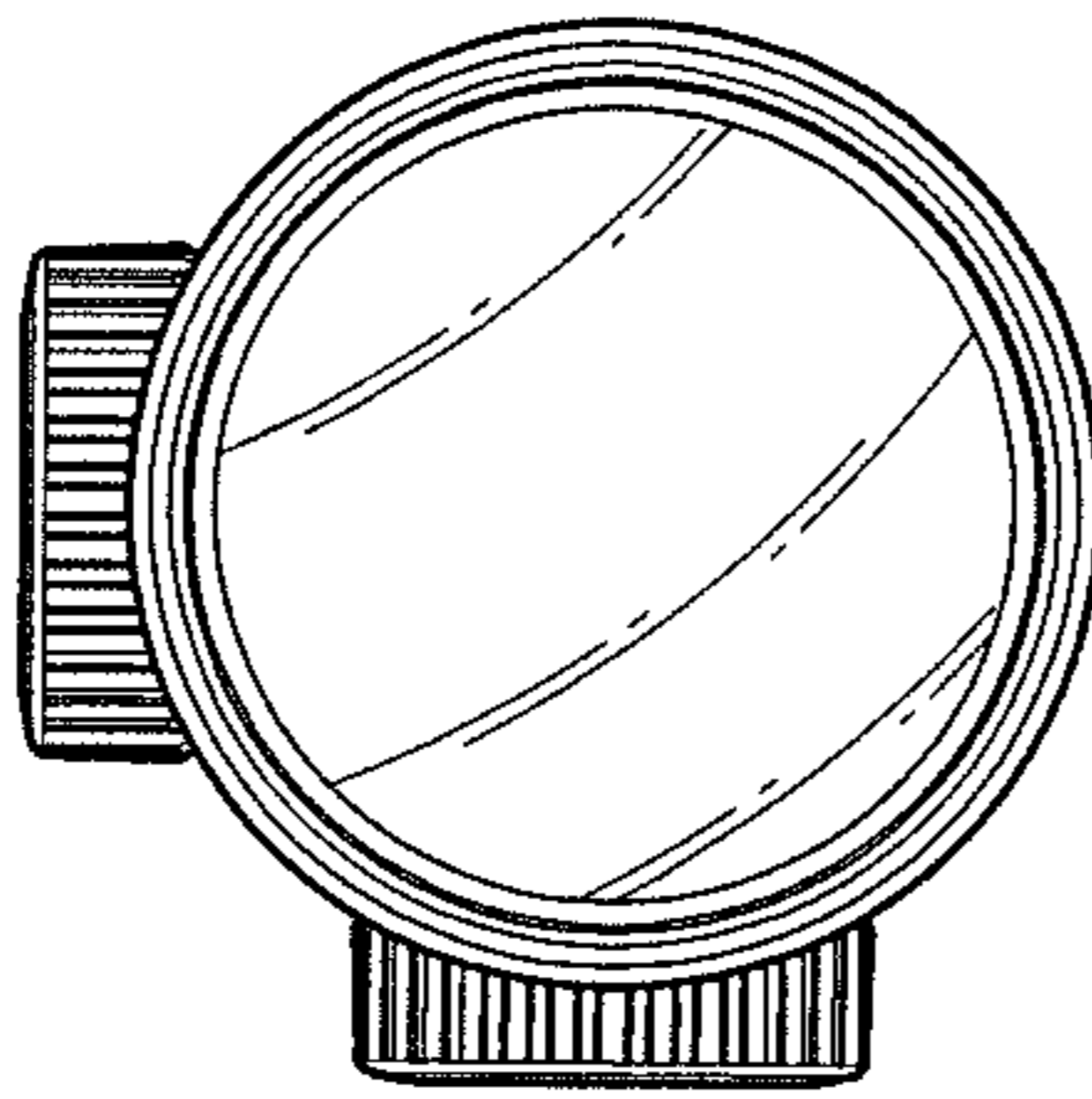


FIG. 6