



US00D728059S

(12) **United States Design Patent**
Obradovich

(10) **Patent No.:** **US D728,059 S**

(45) **Date of Patent:** **** Apr. 28, 2015**

(54) **SCOPE COVER**

(71) Applicant: **Michael Obradovich**, Tuscaloosa, AL
(US)

(72) Inventor: **Michael Obradovich**, Tuscaloosa, AL
(US)

(**) Term: **14 Years**

(21) Appl. No.: **29/475,925**

(22) Filed: **Dec. 9, 2013**

(51) **LOC (10) Cl.** **22-01**

(52) **U.S. Cl.**
USPC **D22/108**

(58) **Field of Classification Search**

CPC F41G 1/00; F41G 1/01; F41G 1/02;
F41G 1/06; F41G 1/065; F41G 1/08; F41G
1/10; F41G 1/12; F41G 1/14; F41G 1/30;
F41G 1/32; F41G 1/38; F41G 1/40; F41G
1/42; F41G 1/44; F41G 1/46; F41G 1/383;
F41G 1/387; F41G 1/393; F41G 3/00; F41G
3/005; F41G 3/02; F41G 3/04; F41G 3/06;
F41G 3/14; F41G 11/002; F41G 11/003;
F41G 11/004; F41G 11/005
USPC D22/108-110, 199; 89/111-133;
359/399, 823, 744; 42/104, 105,
42/111-113, 116, 120, 124-126, 127-129,
42/141-148, 133-140; 33/227, 229

See application file for complete search history.

(56) **References Cited**

U.S. PATENT DOCUMENTS

2,889,629 A * 6/1959 Darkenwald 42/129
4,394,797 A 7/1983 Schuster

5,150,528 A *	9/1992	Shire	42/129
5,183,953 A *	2/1993	Anderson et al.	42/96
5,271,176 A *	12/1993	Anderson et al.	42/106
5,495,676 A *	3/1996	Chesnut et al.	42/129
5,566,490 A *	10/1996	Owen	42/90
5,661,920 A *	9/1997	Evans	42/96
5,850,706 A *	12/1998	Evans	42/96
D423,629 S	4/2000	Granger	
D445,475 S	7/2001	Spear	
7,213,360 B1 *	5/2007	Galloway et al.	42/96
7,559,168 B2	7/2009	Wisecup et al.	
D644,295 S	8/2011	Obradovich	
D652,469 S	1/2012	Sayre	
8,181,379 B2	5/2012	Brewer	
8,240,076 B2	8/2012	Carley	
8,556,435 B2	10/2013	Strawderman	
2010/0037506 A1	2/2010	Carley	
2012/0042558 A1	2/2012	Brensinger	

* cited by examiner

Primary Examiner — Michael A Pratt

(74) *Attorney, Agent, or Firm* — Adams IP, LLC; J. Hunter Adams

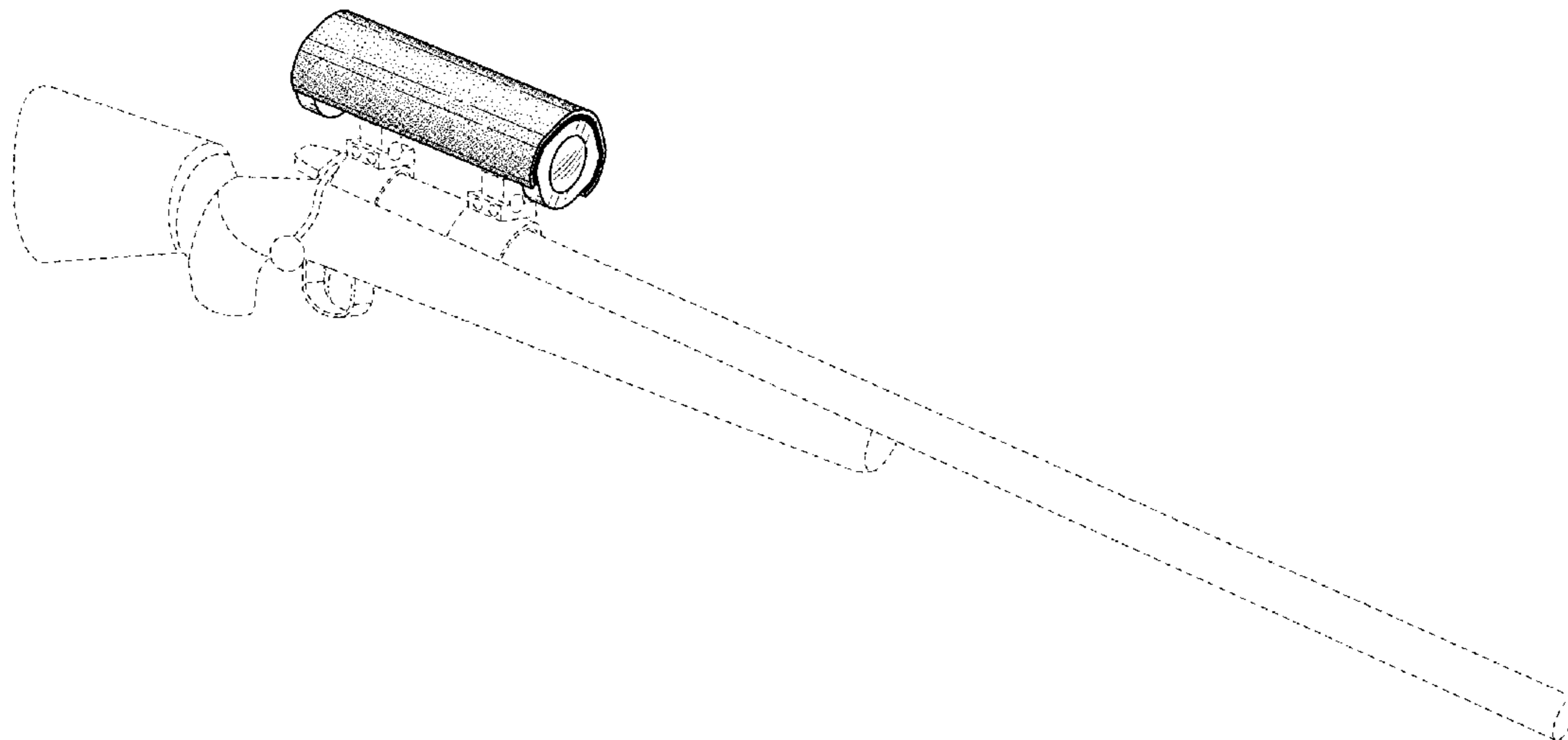
(57) **CLAIM**

What is claimed is the ornamental design for a scope cover, as shown.

DESCRIPTION

FIG. 1 is a front perspective view of a scope cover incorporating my new design;
FIG. 2 is a front and back side view thereof;
FIG. 3 is a left and right side view thereof;
FIG. 4 is a top side view thereof; and,
FIG. 5 is a bottom side view thereof.

1 Claim, 3 Drawing Sheets



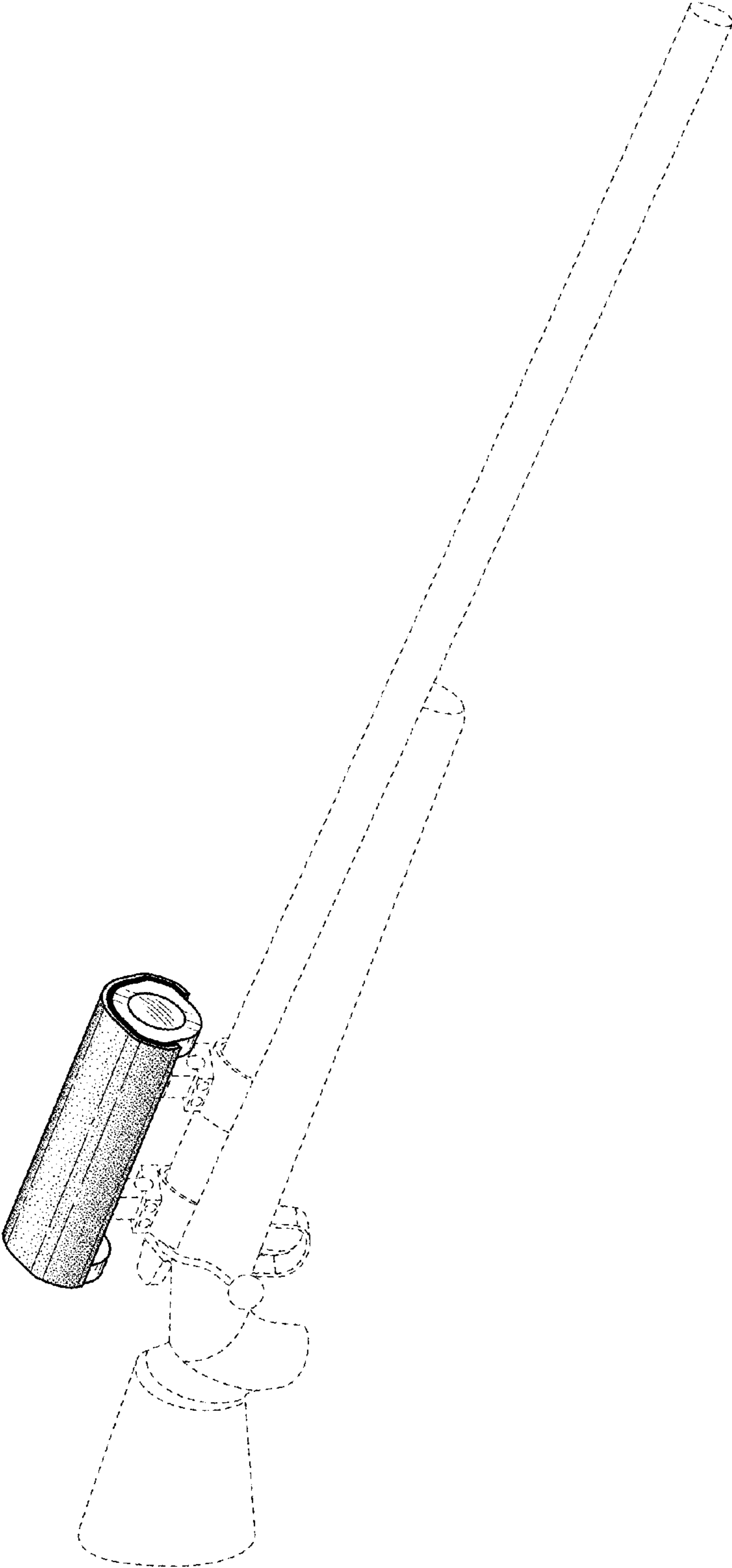


FIG. 1

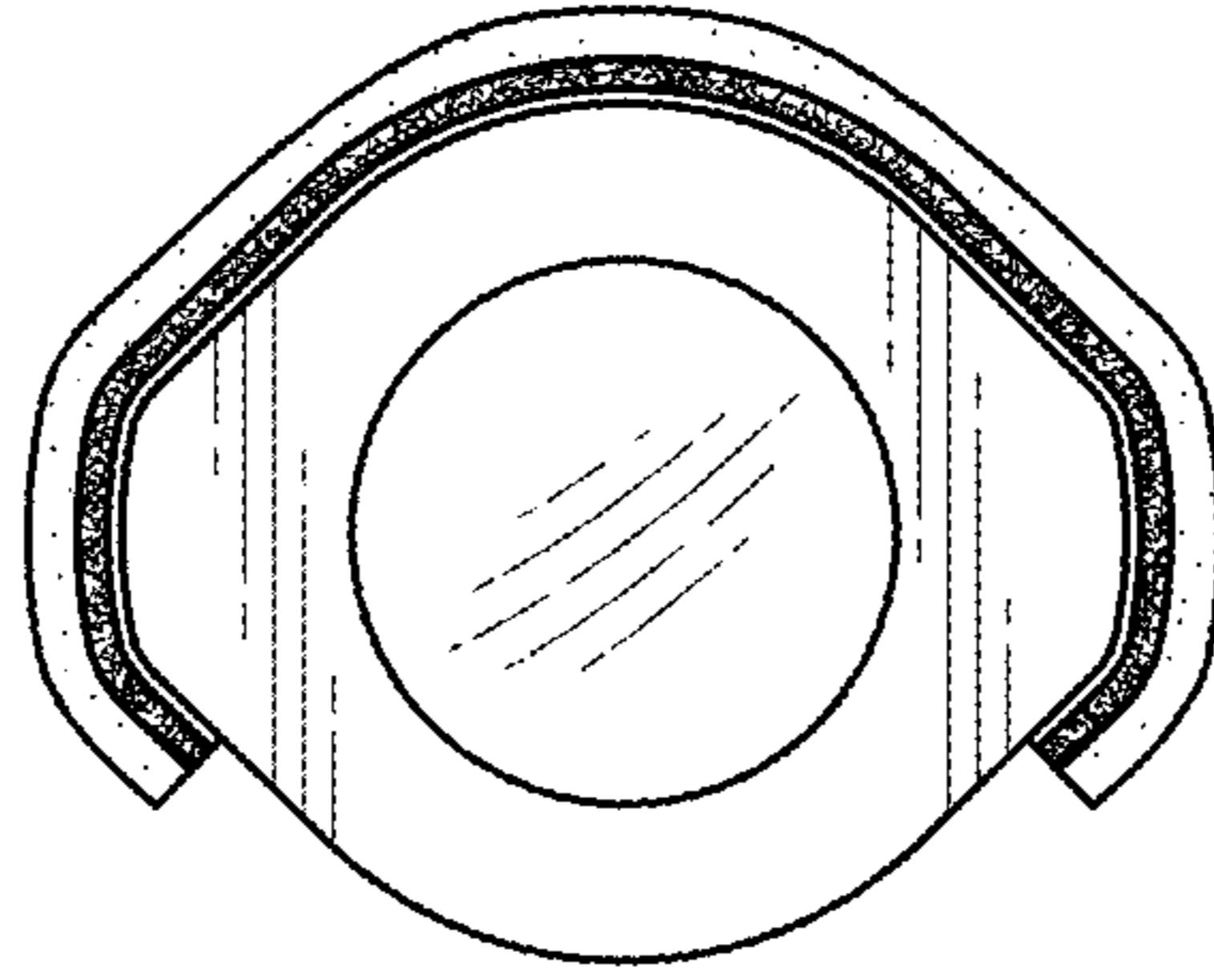


FIG. 2

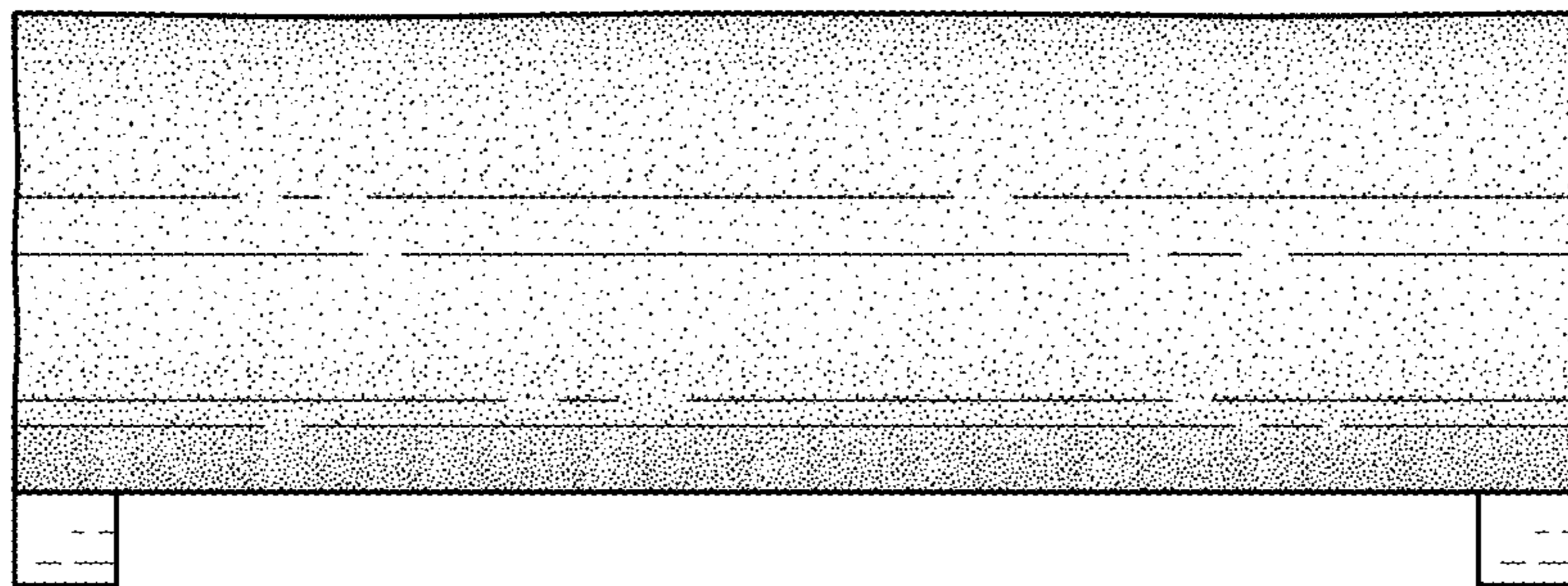


FIG. 3

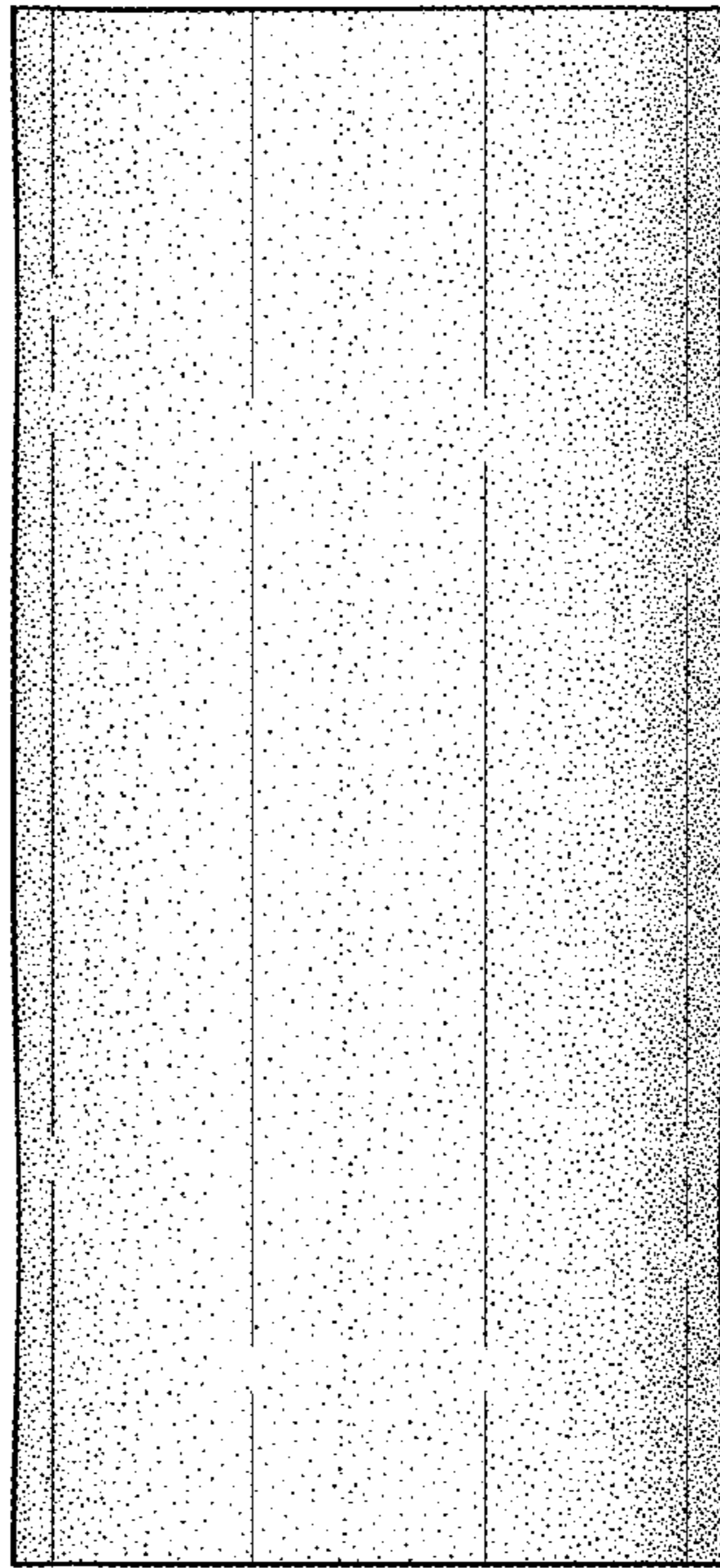


FIG. 4

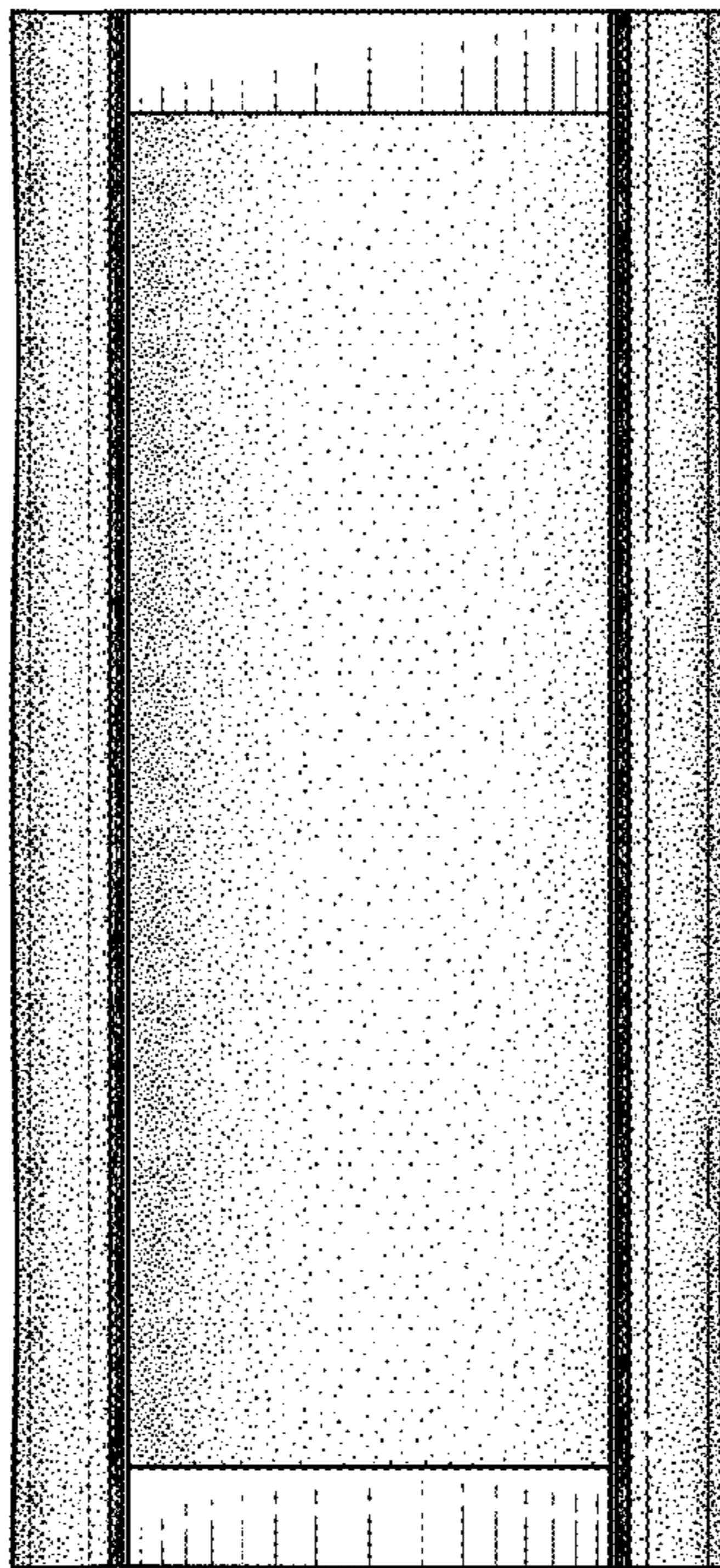


FIG. 5