



US00D728058S

(12) **United States Design Patent**
Cheney

(10) **Patent No.:** **US D728,058 S**
(45) **Date of Patent:** **** Apr. 28, 2015**

(54) **SUPPRESSION SYSTEM**

(71) Applicant: **Paul Drew Cheney**, Aumsville, OR (US)

(72) Inventor: **Paul Drew Cheney**, Aumsville, OR (US)

(**) Term: **14 Years**

(21) Appl. No.: **29/475,327**

(22) Filed: **Dec. 2, 2013**

(51) **LOC (10) Cl.** **22-01**

(52) **U.S. Cl.**
USPC **D22/108**

(58) **Field of Classification Search**

CPC F41A 21/30

USPC D22/108; 42/76.01-76.1;
89/14.05-14.5; 124/92

See application file for complete search history.

(56) **References Cited**

U.S. PATENT DOCUMENTS

2,375,617 A	5/1945	Bourne
2,448,593 A	9/1948	Heising
2,883,781 A	4/1959	Harvey

(Continued)

Primary Examiner — Michael A Pratt

(74) *Attorney, Agent, or Firm* — Law Office of Karen Dana Oster, LLC

(57) **CLAIM**

I claim the ornamental design for a suppression system, as shown and described.

DESCRIPTION

FIG. 1 is an isometric view of a suppression system including my new design.

FIG. 2 is a side view of the suppression system.

FIG. 3 is a top end view of the suppression system.

FIG. 4 is a bottom end view of the suppression system.

FIG. 5 is a cross-sectional view of the suppression system taken along line 5-5 of FIG. 2.

FIG. 6 is a cross-sectional view of the suppression system taken along line 6-6 of FIG. 2.

FIG. 7 is a cross-sectional view of the suppression system taken along line 7-7 of FIG. 2.

FIG. 8 is an isometric view of the suppression system with a 1/4 longitudinal wedge removed therefrom to expose the interior ornamental design in cross-section, the removed 1/4 longitudinal wedge also being shown.

FIG. 9 is a plan view looking down into the exposed interior ornamental design of the suppression system with a 1/4 longitudinal wedge removed therefrom and the removed 1/4 longitudinal wedge as shown in FIG. 8.

FIG. 10 is a top end view of the suppression system with a 1/4 longitudinal wedge removed therefrom and the removed 1/4 longitudinal wedge as shown in FIG. 8, the bottom end view being a mirror image thereof.

FIG. 11 is a side view of the removed 1/4 longitudinal wedge as shown in FIG. 8.

FIG. 12 is a side view of the suppression system with a 1/4 longitudinal wedge removed therefrom as shown in FIG. 8.

FIG. 13 is an exploded isometric view of the suppression system and additional components of a suppressor.

FIG. 14 is an perspective view of the suppression system assembled within the additional components of a suppressor.

FIG. 15 is a cross-sectional view of the suppression system assembled within the additional components of a suppressor taken along line 15-15 of FIG. 14; and,

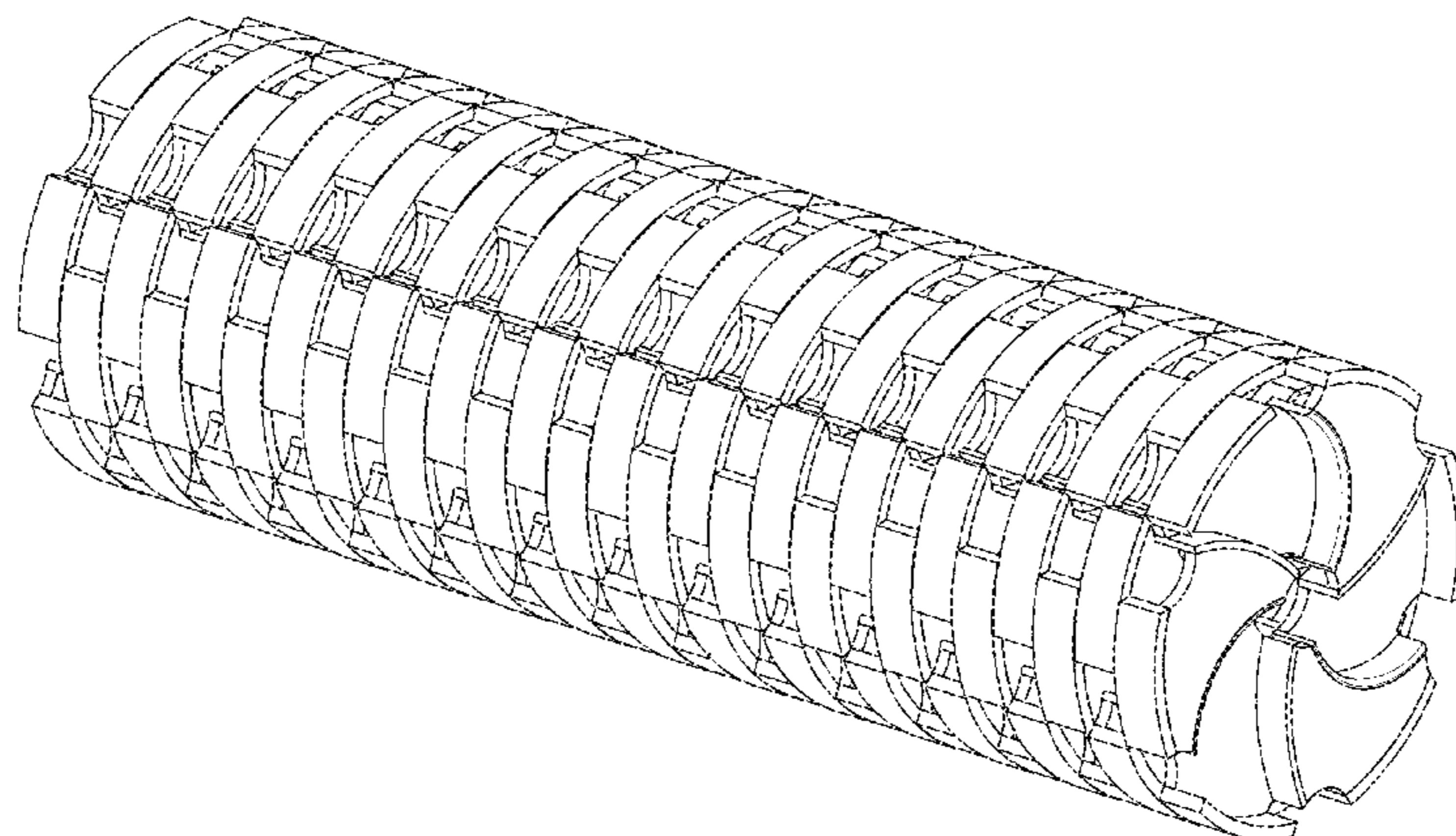
FIG. 16 is a cross-sectional view of the suppression system assembled within the additional components of a suppressor taken along line 16-16 of FIG. 14.

As the suppression system is generally cylindrical and incorporates a repeating pattern design, the views are meant to be exemplary.

The number of times that the pattern repeats is meant to be exemplary. For example, the number of times that the pattern repeats would change based on the length of the suppression system.

The broken line depictions of the additional components of a suppressor and other structure are included for environmental purposes and form no part of the claimed design.

1 Claim, 13 Drawing Sheets



(56)

References Cited

U.S. PATENT DOCUMENTS

5,136,923	A	8/1992	Walsh, Jr.	8,096,222	B2	1/2012	Silvers
5,164,535	A	11/1992	Leasure	8,490,535	B1	7/2013	Moore et al.
6,079,311	A	6/2000	O'Quinn et al.	8,857,306	B1 *	10/2014	Edsall 89/14.05
6,308,609	B1 *	10/2001	Davies 89/14.4	8,875,612	B1 *	11/2014	Klett et al. 89/14.4
7,412,917	B2	8/2008	Vais	2012/0180624	A1 *	7/2012	Troy et al. 89/14.4
7,832,323	B1	11/2010	Davies	2013/0240903	A1 *	9/2013	Kashyap et al. 257/77
				2014/0020977	A1 *	1/2014	Shults 181/223
				2014/0059913	A1 *	3/2014	Diamond et al. 42/90

* cited by examiner

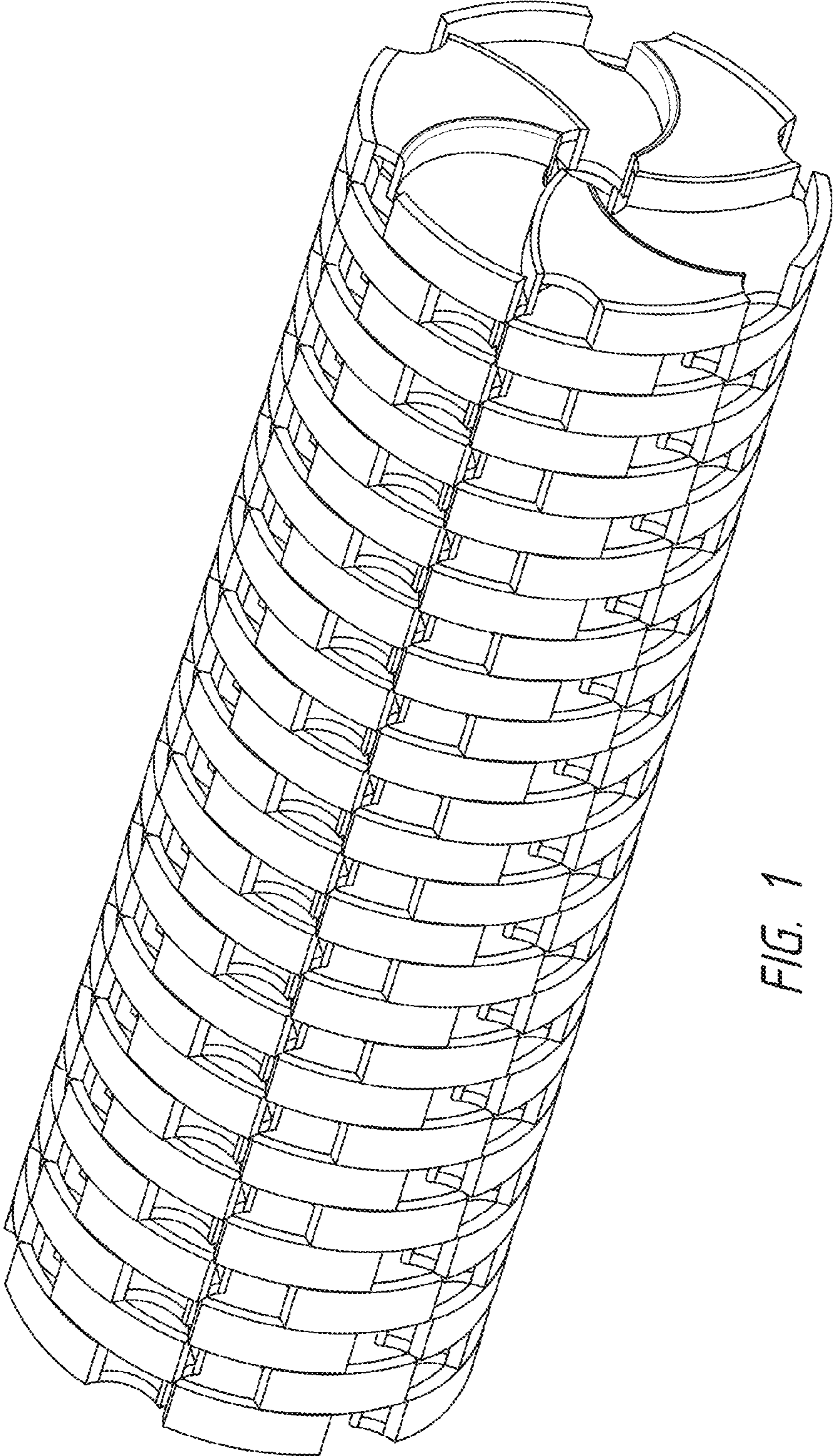


FIG. 1

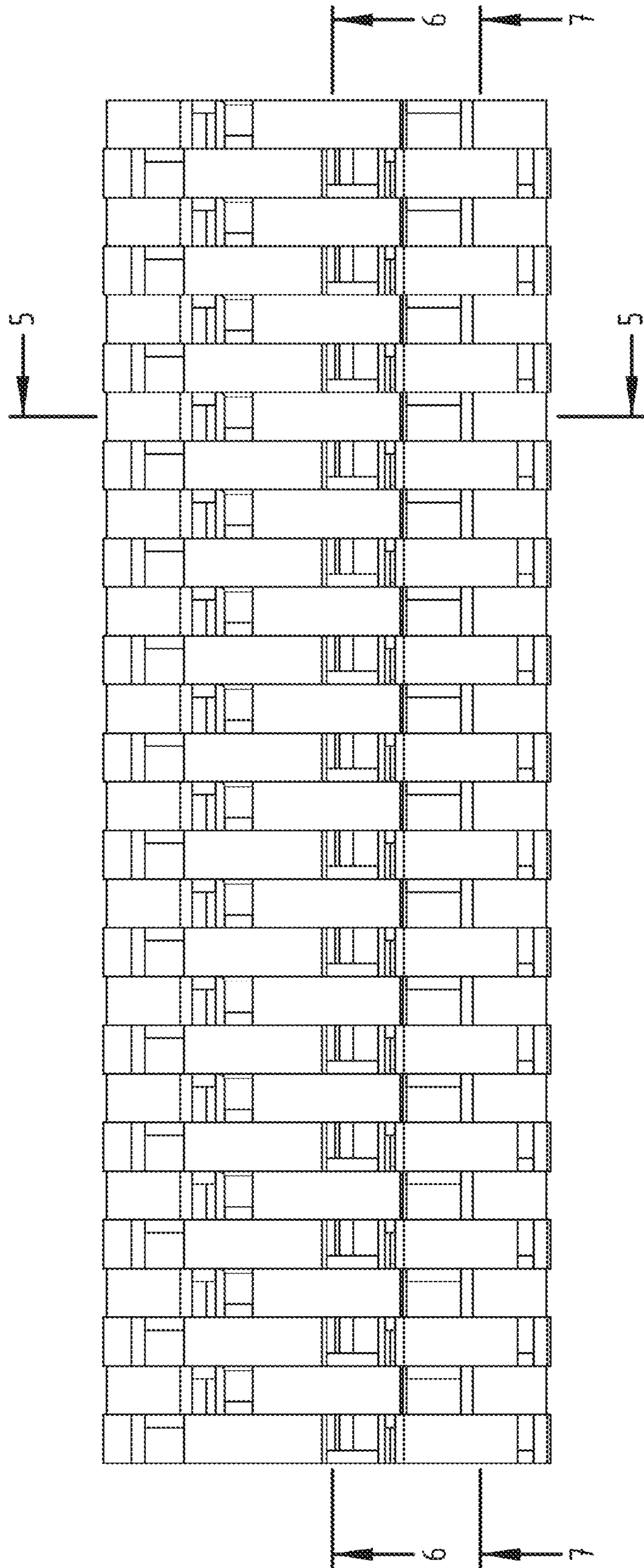


FIG. 2

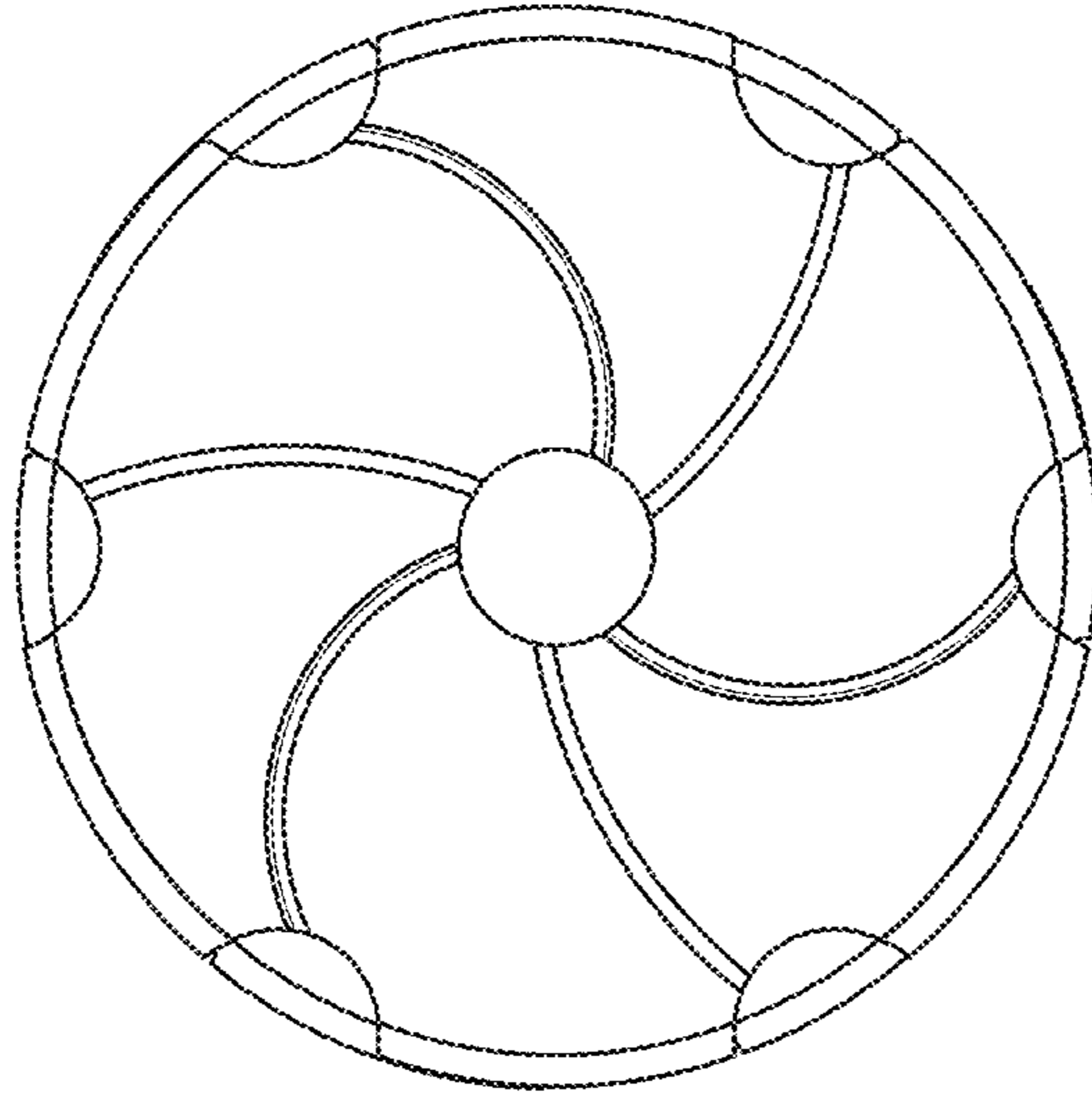


FIG. 4

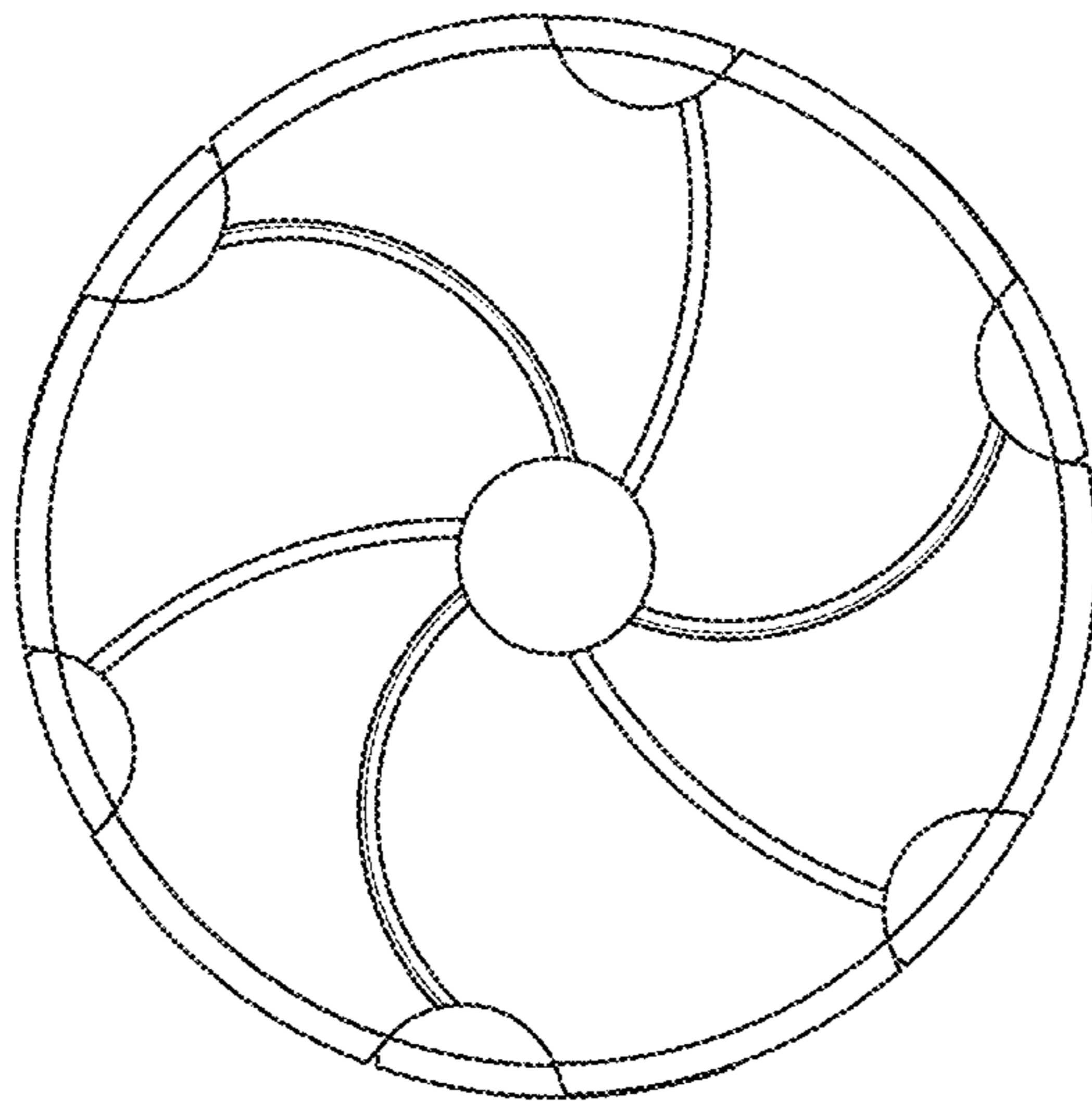


FIG. 3

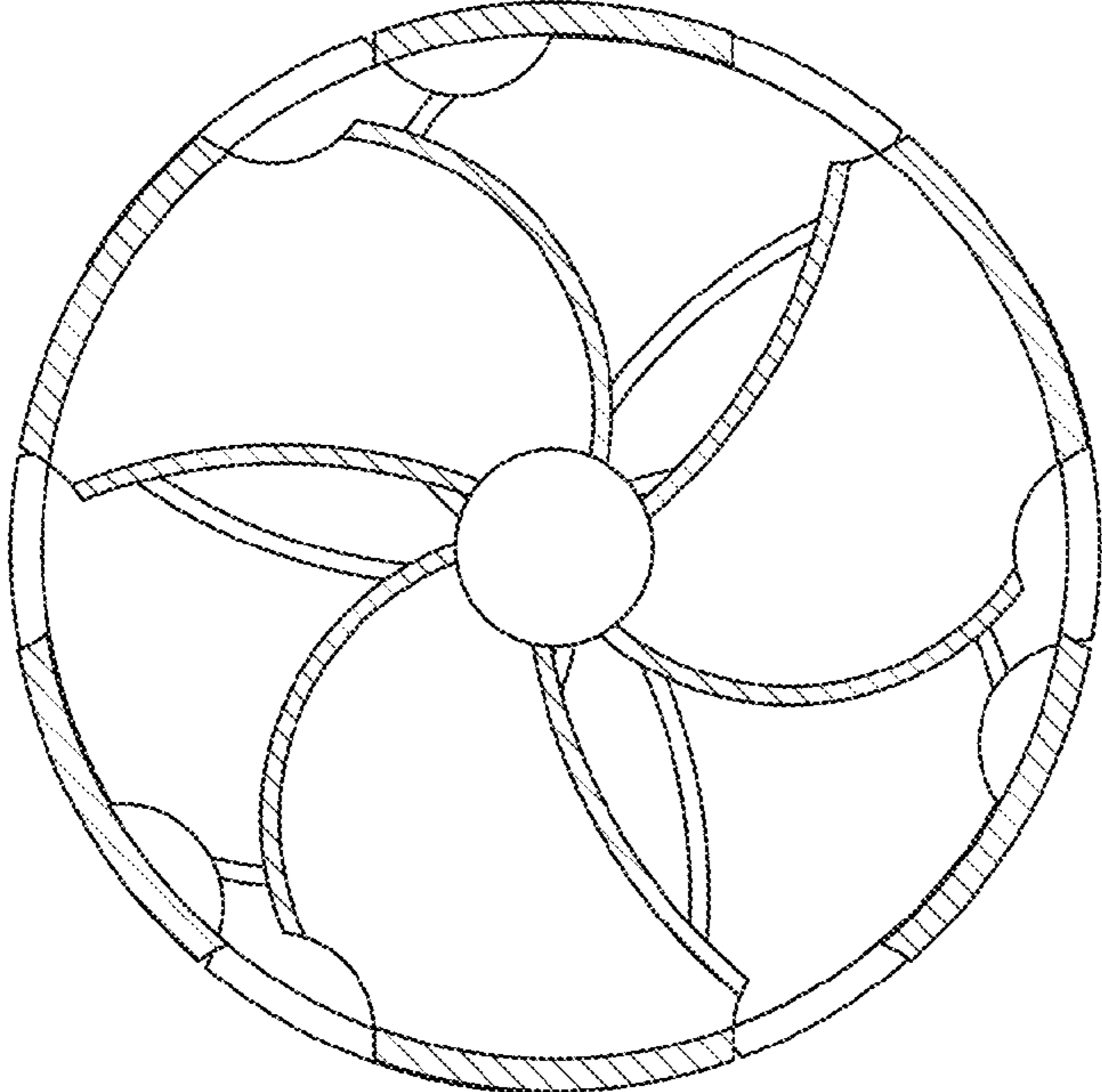


FIG. 5

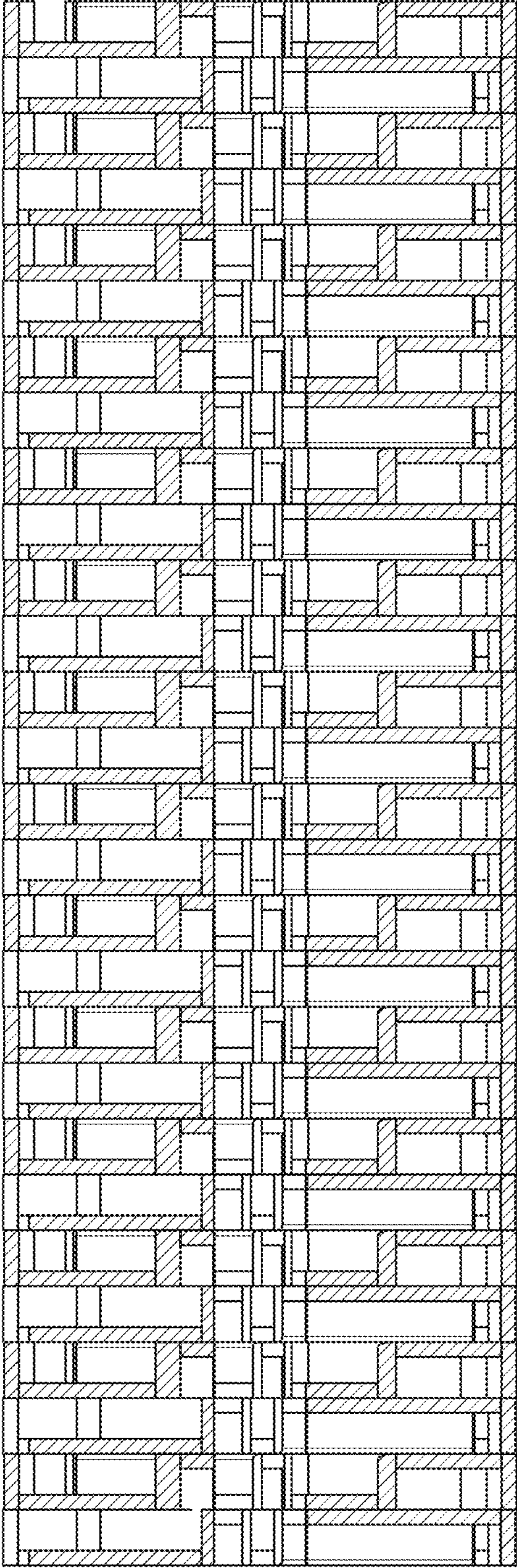


FIG. 6

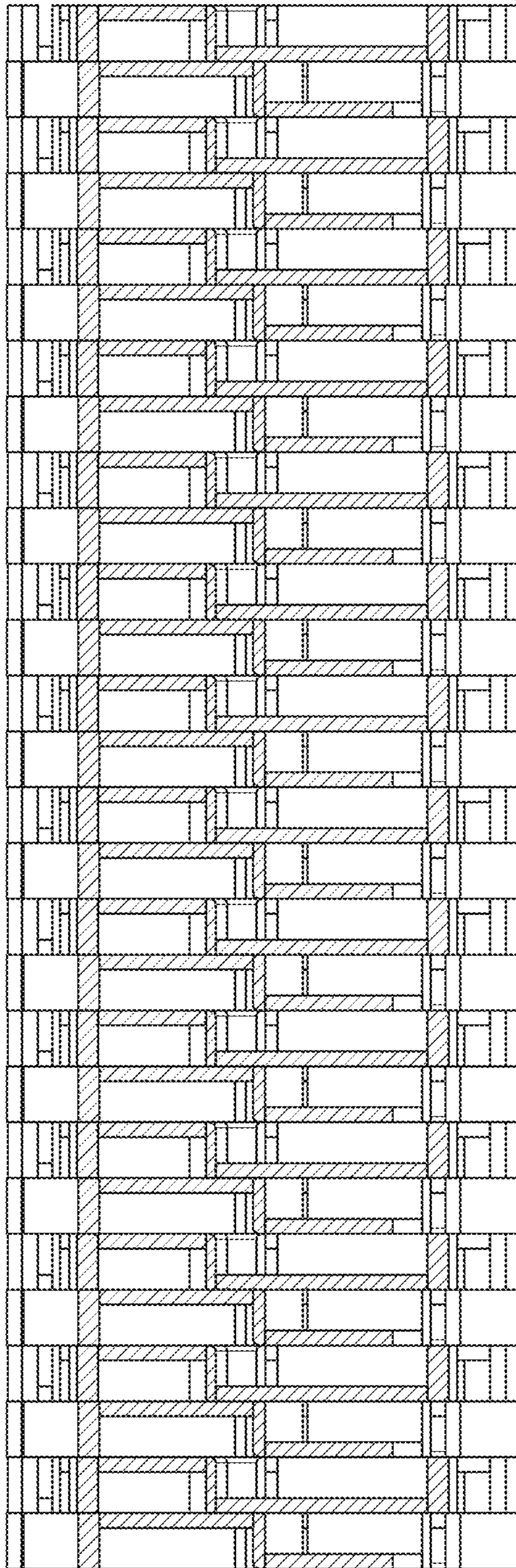


FIG. 7

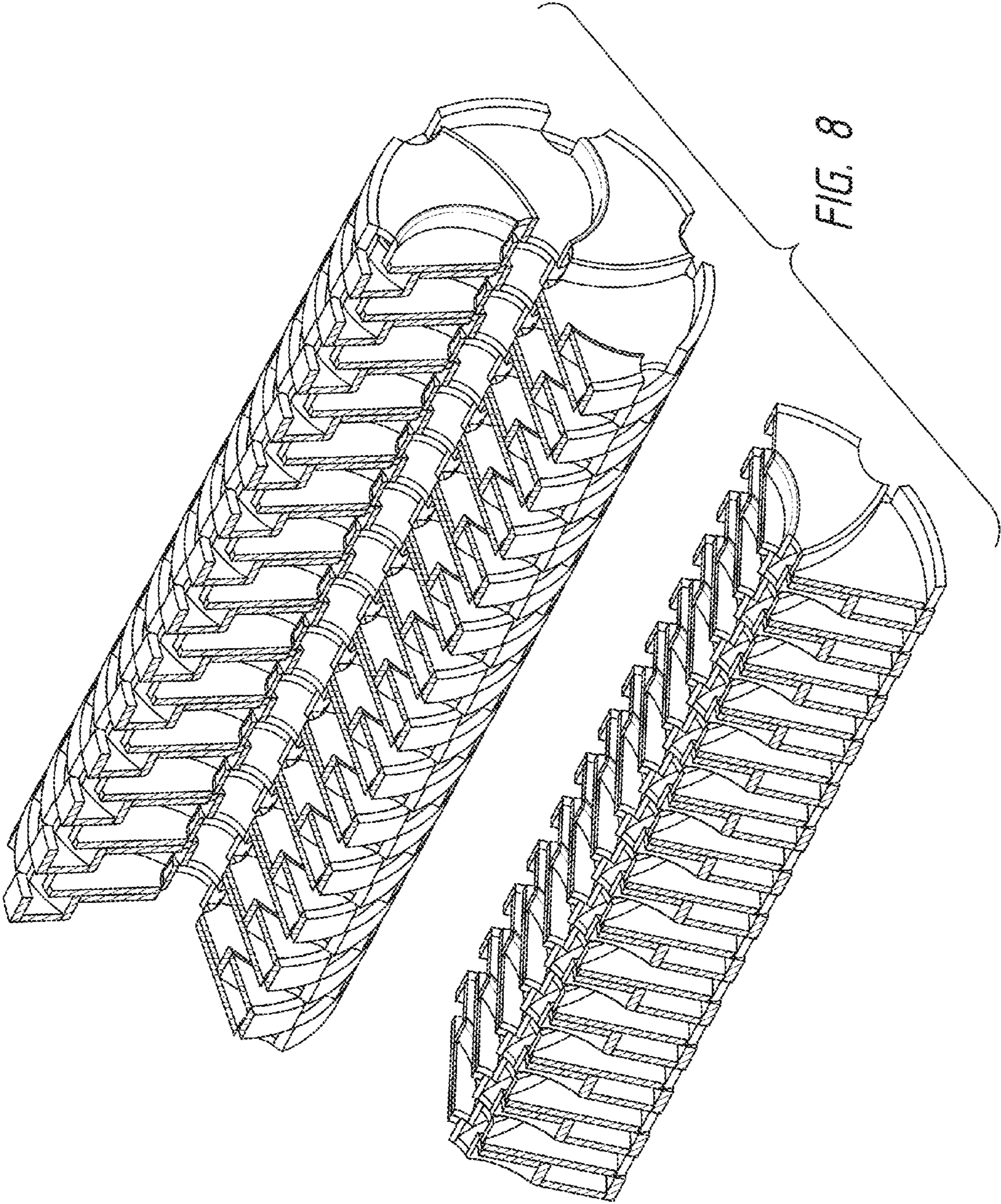
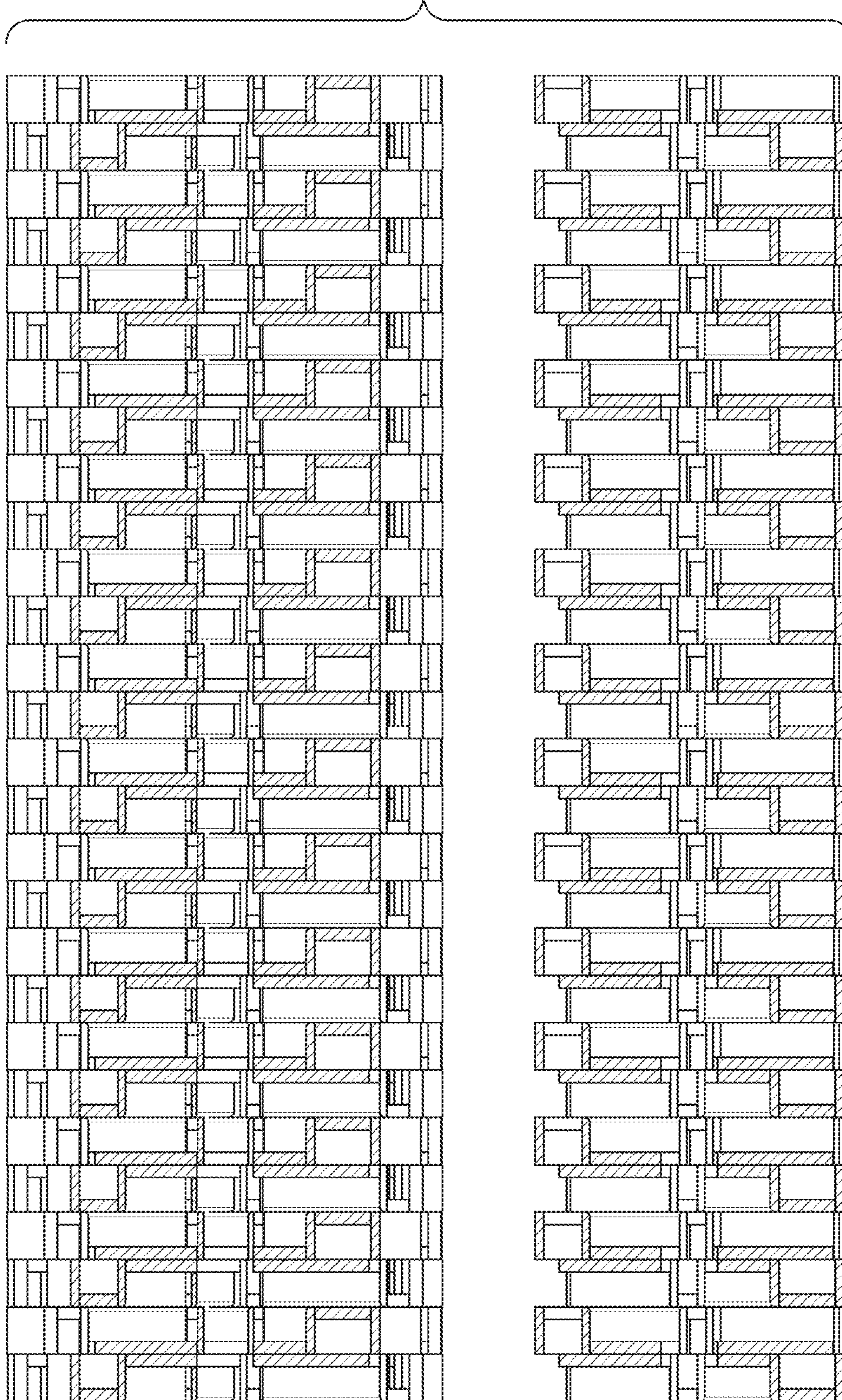


FIG. 8

FIG. 9



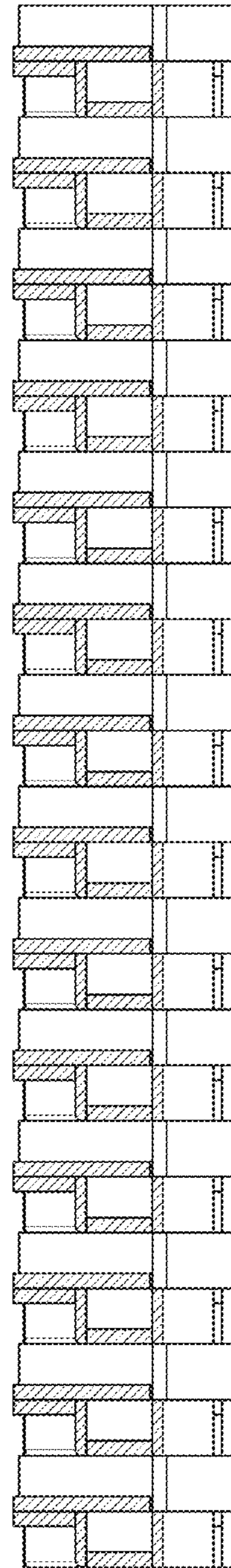
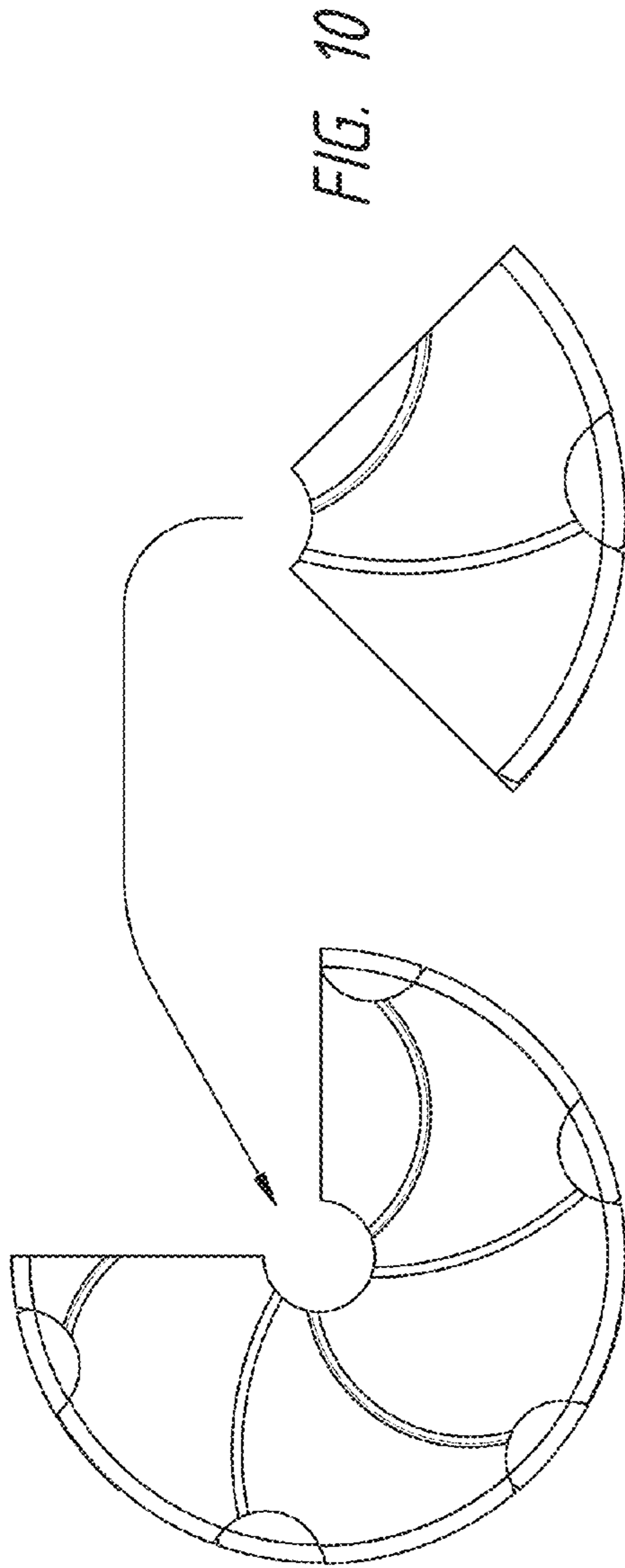


FIG. 11

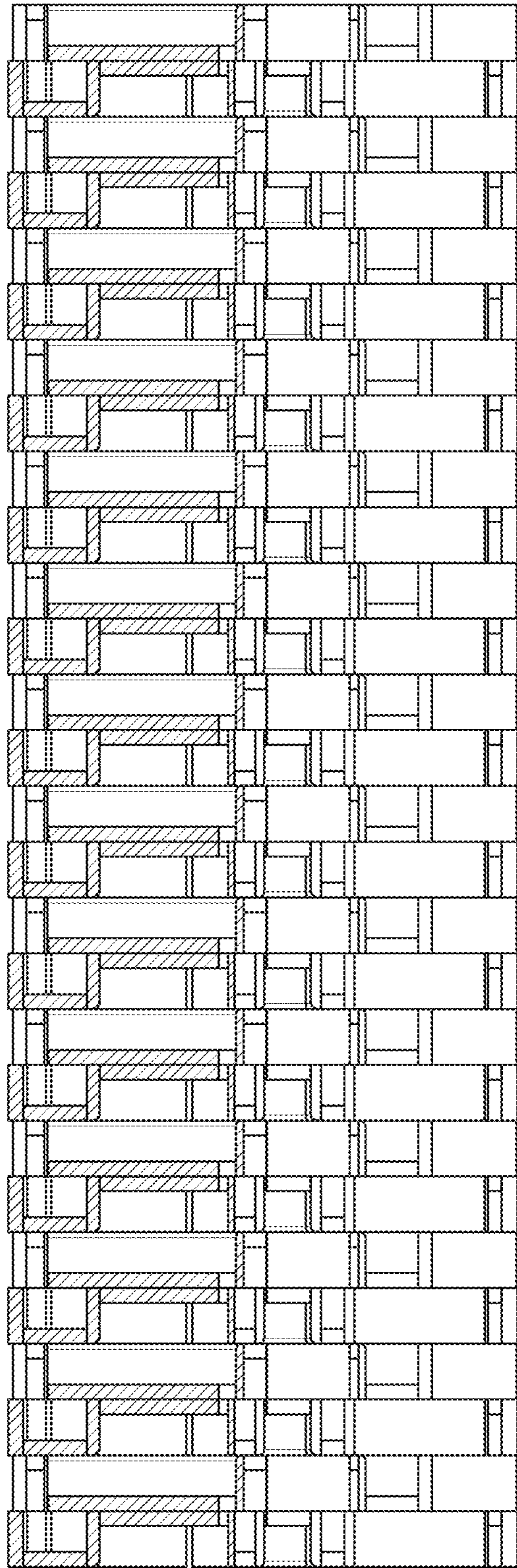


FIG. 12

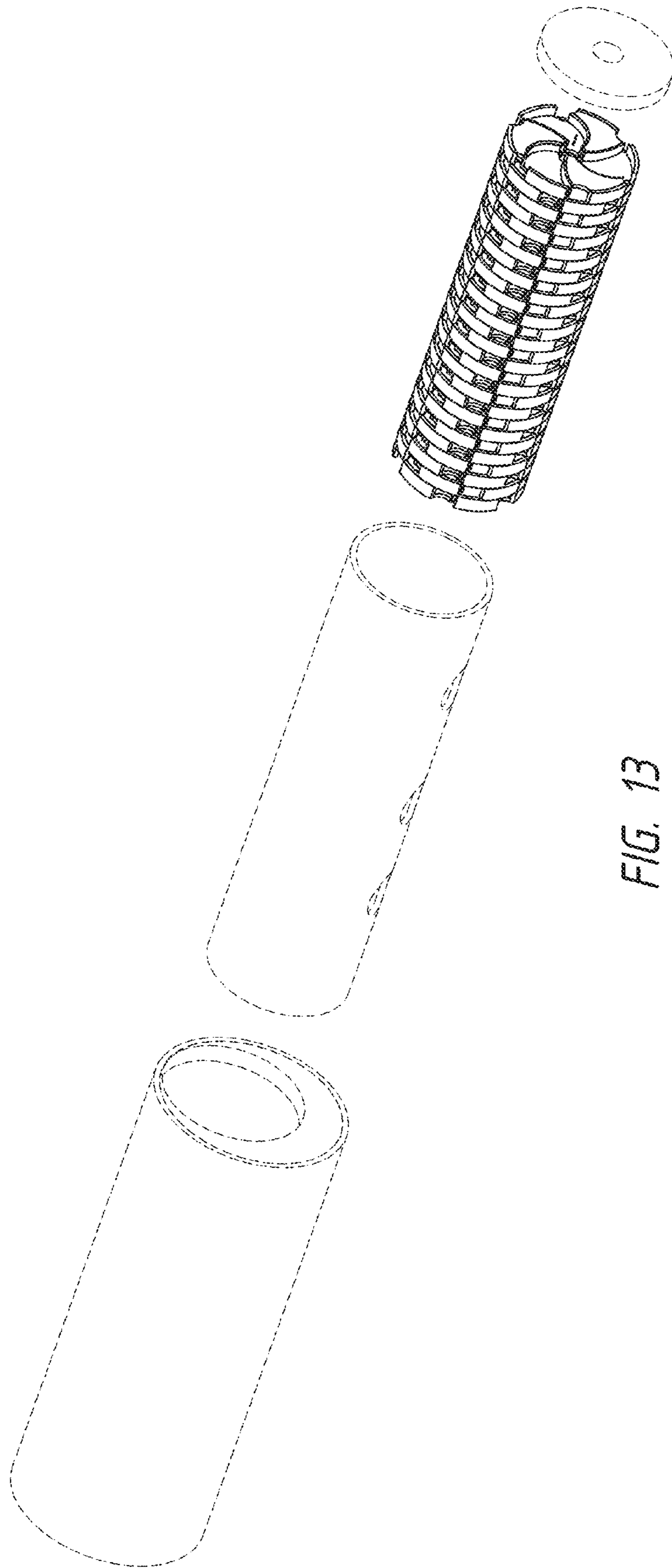
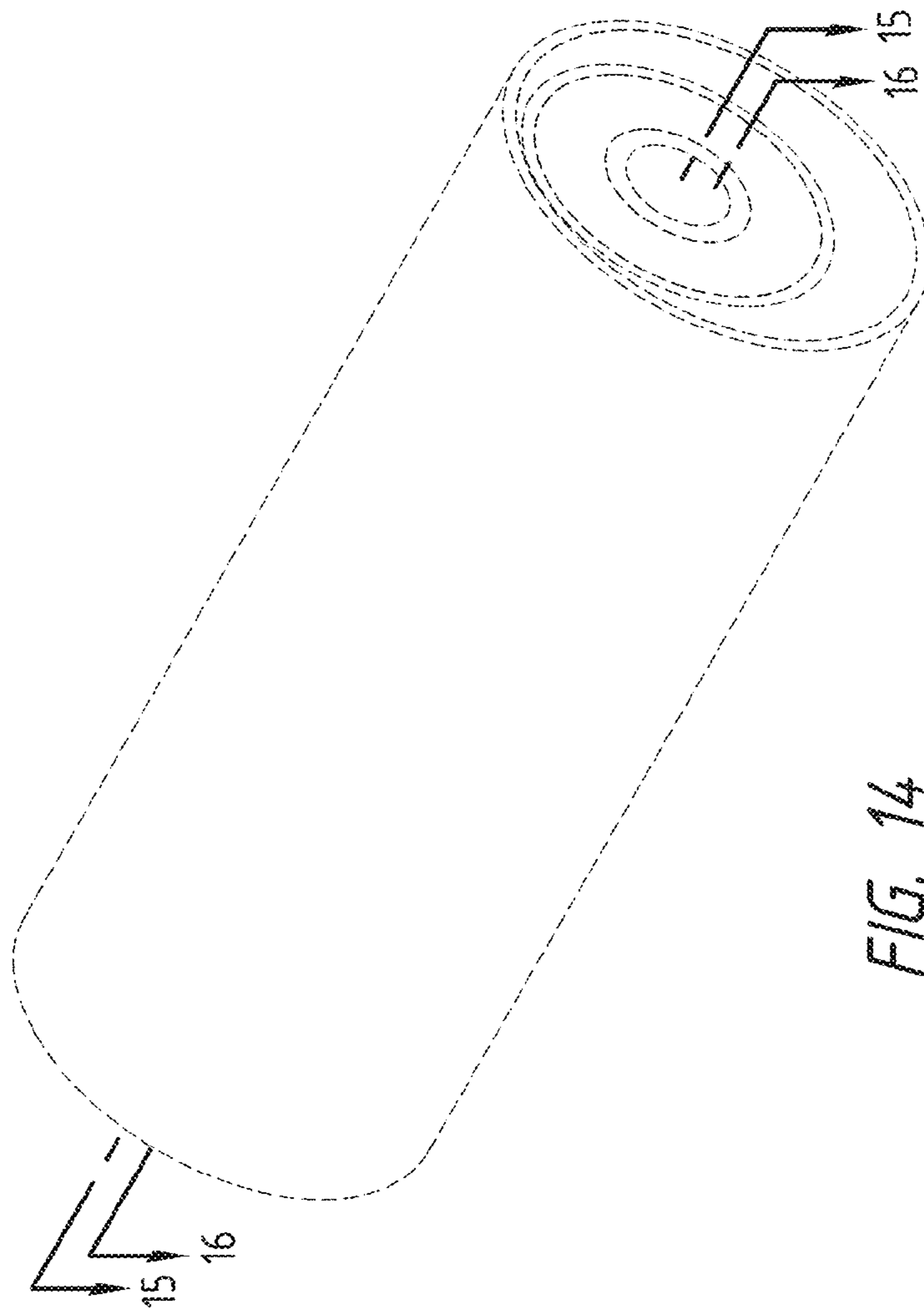


FIG. 13



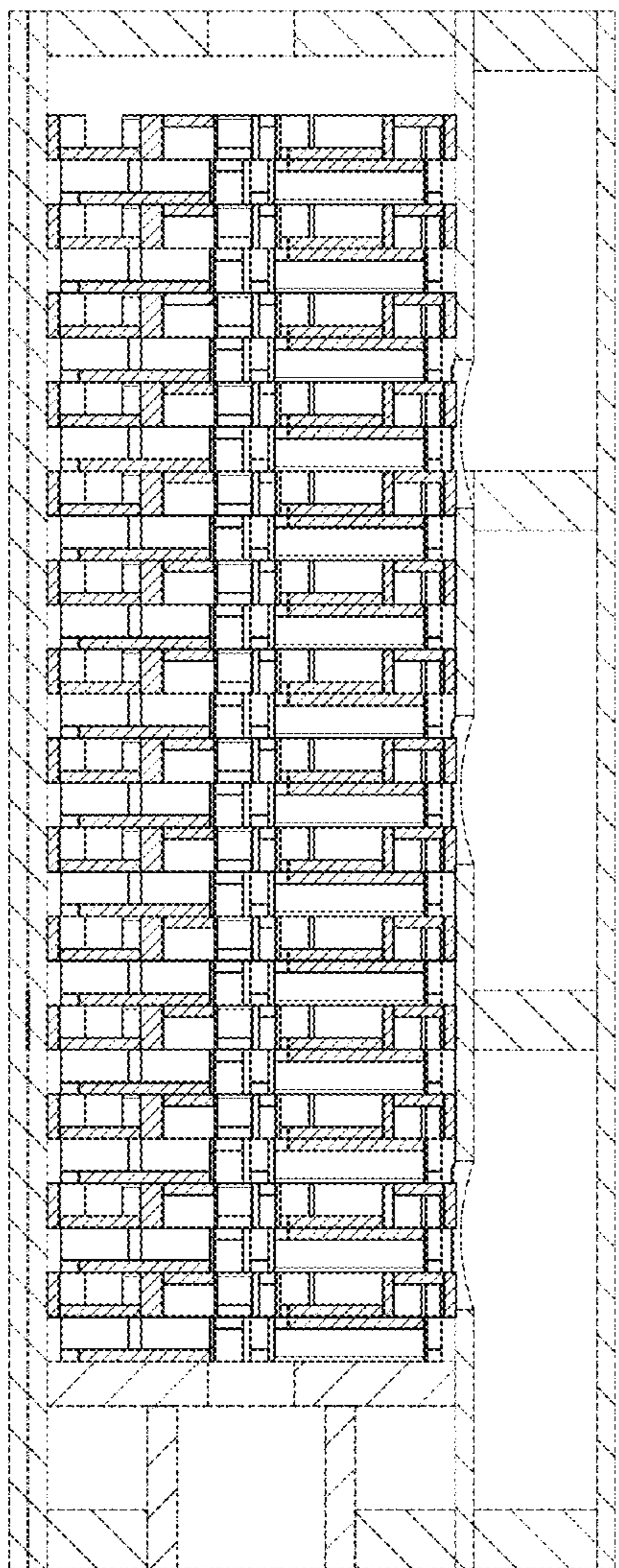


FIG. 15

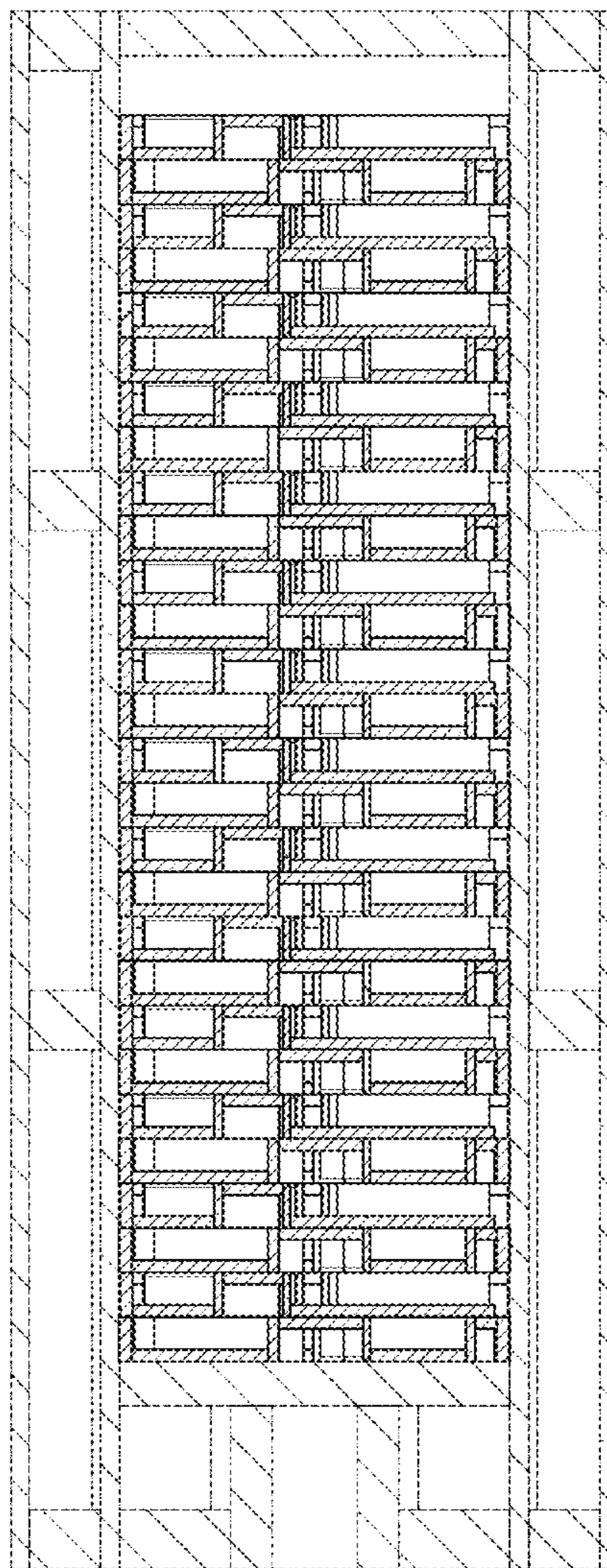


FIG. 16