



US00D728057S

(12) **United States Design Patent**  
**Daniel et al.**

(10) **Patent No.:** **US D728,057 S**  
(45) **Date of Patent:** **\*\* Apr. 28, 2015**

(54) **BUTTSTOCK**

(71) Applicant: **Daniel Defense, Inc.**, Black Creek, GA (US)

(72) Inventors: **Marvin C. Daniel**, Pooler, GA (US);  
**Larry J R Jones**, Monroe, GA (US)

(73) Assignee: **Daniel Defense, Inc.**, Black Creek, GA (US)

(\*\*) Term: **14 Years**

(21) Appl. No.: **29/472,162**

(22) Filed: **Nov. 8, 2013**

(51) **LOC (10) Cl.** ..... **22-01**

(52) **U.S. Cl.**

USPC ..... **D22/108**

(58) **Field of Classification Search**

CPC ..... F41C 23/00; F41C 23/02; F41C 23/04;  
F41C 23/06; F41C 23/08; F41C 23/10;  
F41C 23/12; F41C 23/14; F41C 23/16;  
F41C 23/18; F41C 23/20; F41C 23/22;  
F41C 7/02; F41C 7/04; F41C 7/06; F41C  
7/11; F41C 7/12

USPC ..... D22/100, 101, 103, 104, 108, 199;  
D21/572, 573; 42/51, 90, 71.01, 71.02,  
42/73, 75.01, 75.02; 362/160; 89/40.06,  
89/37.04, 33.04; 33/334

See application file for complete search history.

(56) **References Cited**

**U.S. PATENT DOCUMENTS**

3,348,328 A 10/1967 Roy  
D405,148 S \* 2/1999 Langevin et al. .... D22/108  
7,162,822 B1 1/2007 Heayn et al.

(Continued)

*Primary Examiner* — Michael A Pratt

(74) *Attorney, Agent, or Firm* — Sutherland Asbill & Brennan LLP

(57) **CLAIM**

The ornamental design for an improved buttstock, as shown and described.

**DESCRIPTION**

FIG. 1 is a left side elevation view of the improved buttstock for a firearm, without a buttpad;

FIG. 2 is a right side elevation view of the improved buttstock for a firearm, without a buttpad;

FIG. 3 is a front elevation view of the improved buttstock for a firearm, without a buttpad;

FIG. 4 is a top elevation view of the improved buttstock for a firearm, without a buttpad;

FIG. 5 is a rear elevation view of the improved buttstock for a firearm, without a buttpad;

FIG. 6 is a bottom elevation view of the improved buttstock for a firearm, without a buttpad;

FIG. 7 is a left side/top/front perspective view of the improved buttstock for a firearm, without a buttpad;

FIG. 8 is a right side/top/rear perspective view of the improved buttstock for a firearm, without a buttpad;

FIG. 9 is a left side/bottom/rear perspective view of the improved buttstock for a firearm, without a buttpad;

FIG. 10 is a right side/bottom/front perspective view of the improved buttstock for a firearm, without a buttpad;

FIG. 11 is a right side/top/front perspective view of the improved buttstock for a firearm, without a buttpad;

FIG. 12 is a left/top/rear perspective view of the improved buttstock for a firearm, without a buttpad;

FIG. 13 is a left side/top/front perspective view of the improved buttstock for a firearm, with a buttpad;

FIG. 14 is a left elevation view of the improved buttstock for a firearm, with a buttpad;

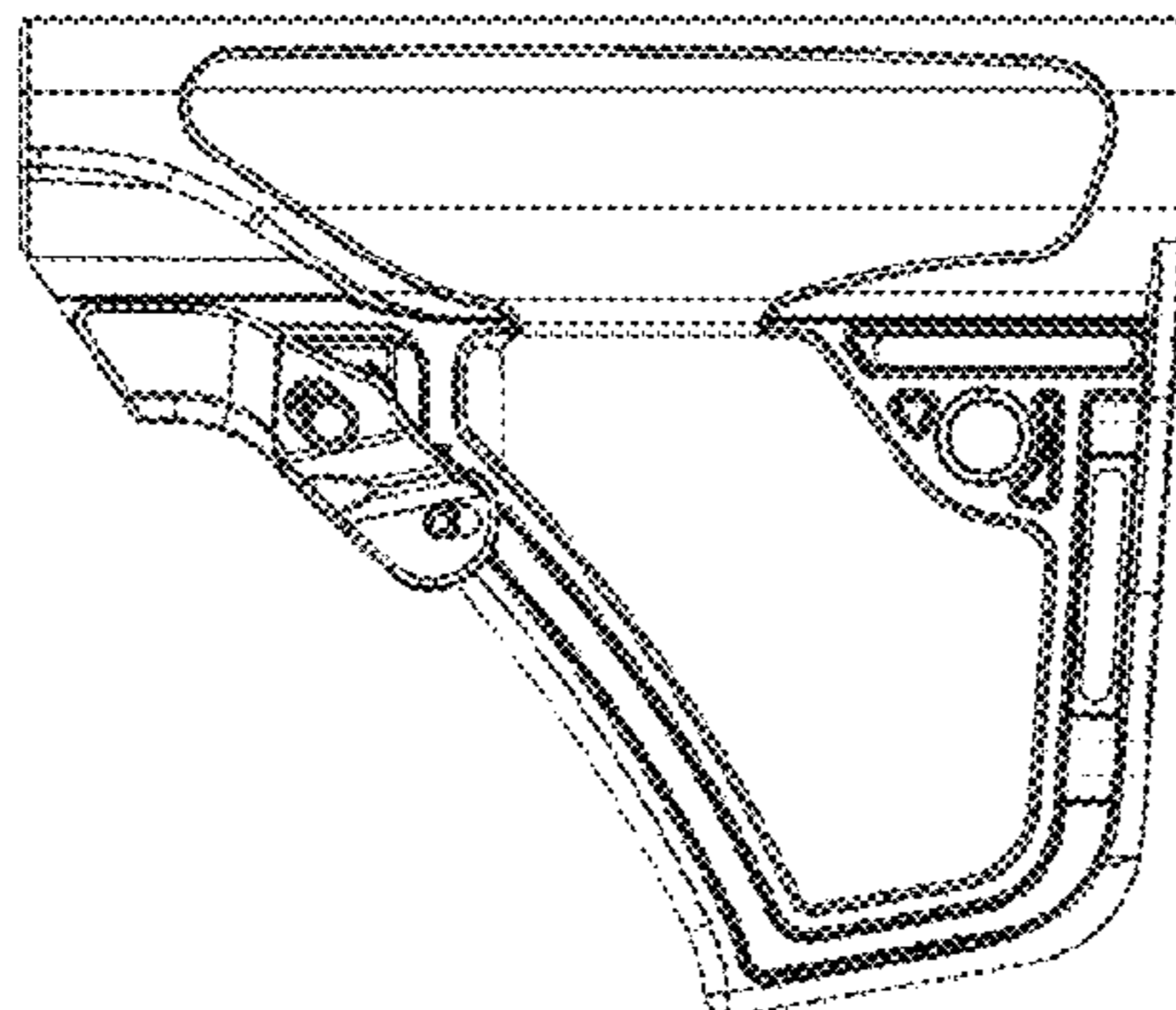
FIG. 15 is a right side/top/rear perspective view of the improved buttstock for a firearm, with a buttpad;

FIG. 16 is a right side elevation view of the improved buttstock for a firearm, with a buttpad;

FIG. 17 is a rear elevation view of the improved buttstock for a firearm, with a buttpad; and,

FIG. 18 is a front elevation view of the improved buttstock for a firearm, with a buttpad.

**1 Claim, 6 Drawing Sheets**



(56)

**References Cited**

U.S. PATENT DOCUMENTS

D600,308 S 9/2009 Fitzpatrick et al.  
D603,013 S 10/2009 Fitzpatrick et al.  
7,762,018 B1 7/2010 Fitzpatrick et al.  
7,810,270 B2 10/2010 Fitzpatrick et al.  
D631,122 S 1/2011 Domagtoy  
D636,833 S 4/2011 Mayberry et al.  
D636,834 S 4/2011 Mayberry et al.  
D640,342 S 6/2011 Fitzpatrick et al.

D661,366 S 6/2012 Zusman  
8,191,299 B2 6/2012 Faifer  
D668,311 S 10/2012 Rogers et al.  
8,341,868 B2 1/2013 Zusman  
8,397,414 B2 3/2013 Walters  
8,453,365 B1 \* 6/2013 Ballard ..... 42/73  
D691,234 S \* 10/2013 Fitzpatrick et al. .... D22/108  
8,789,306 B1 \* 7/2014 Mazzoni ..... 42/90  
2009/0255161 A1 10/2009 Fitzpatrick et al.  
2014/0076144 A1 \* 3/2014 Gomez ..... 89/132

\* cited by examiner

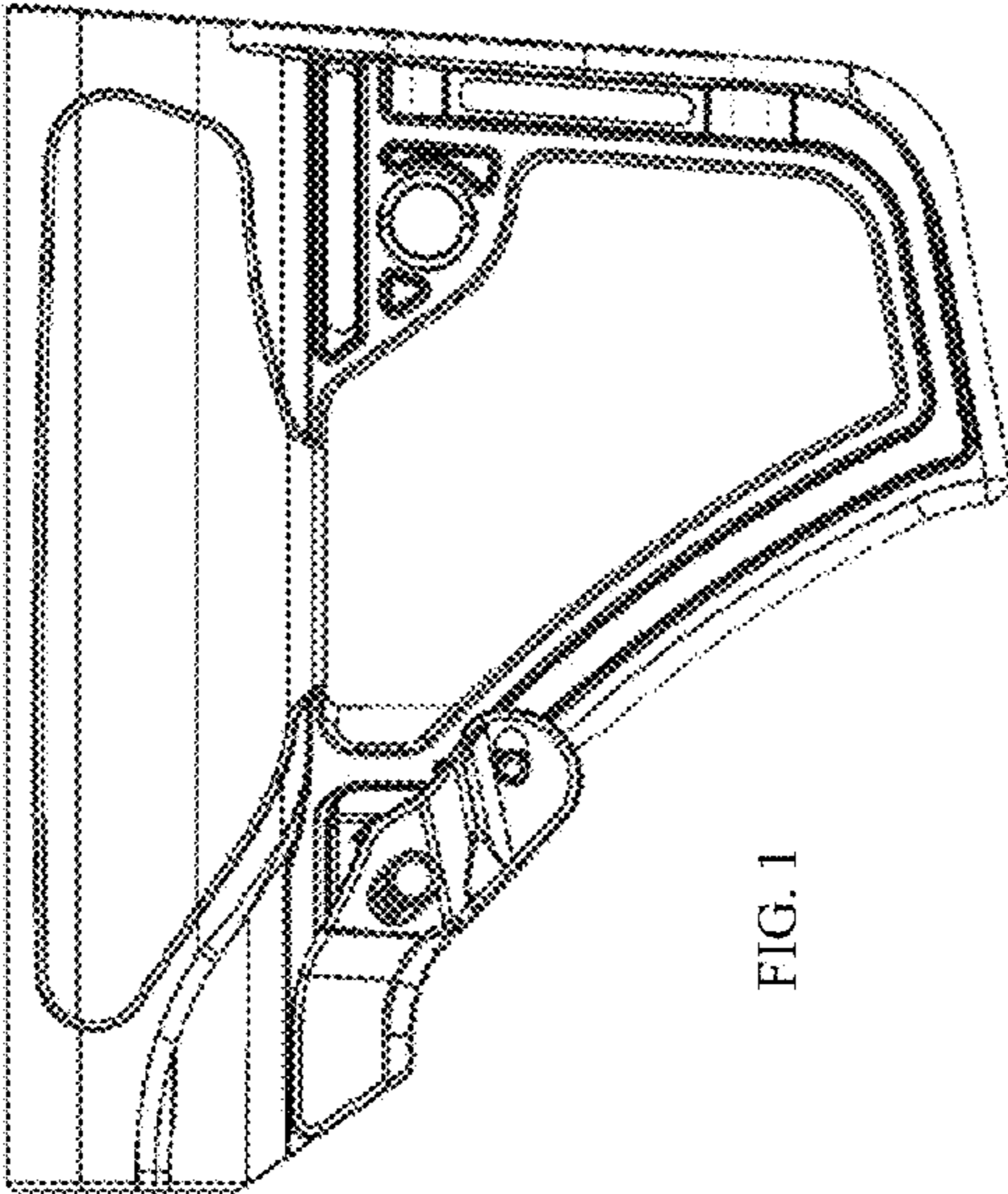


FIG. 1

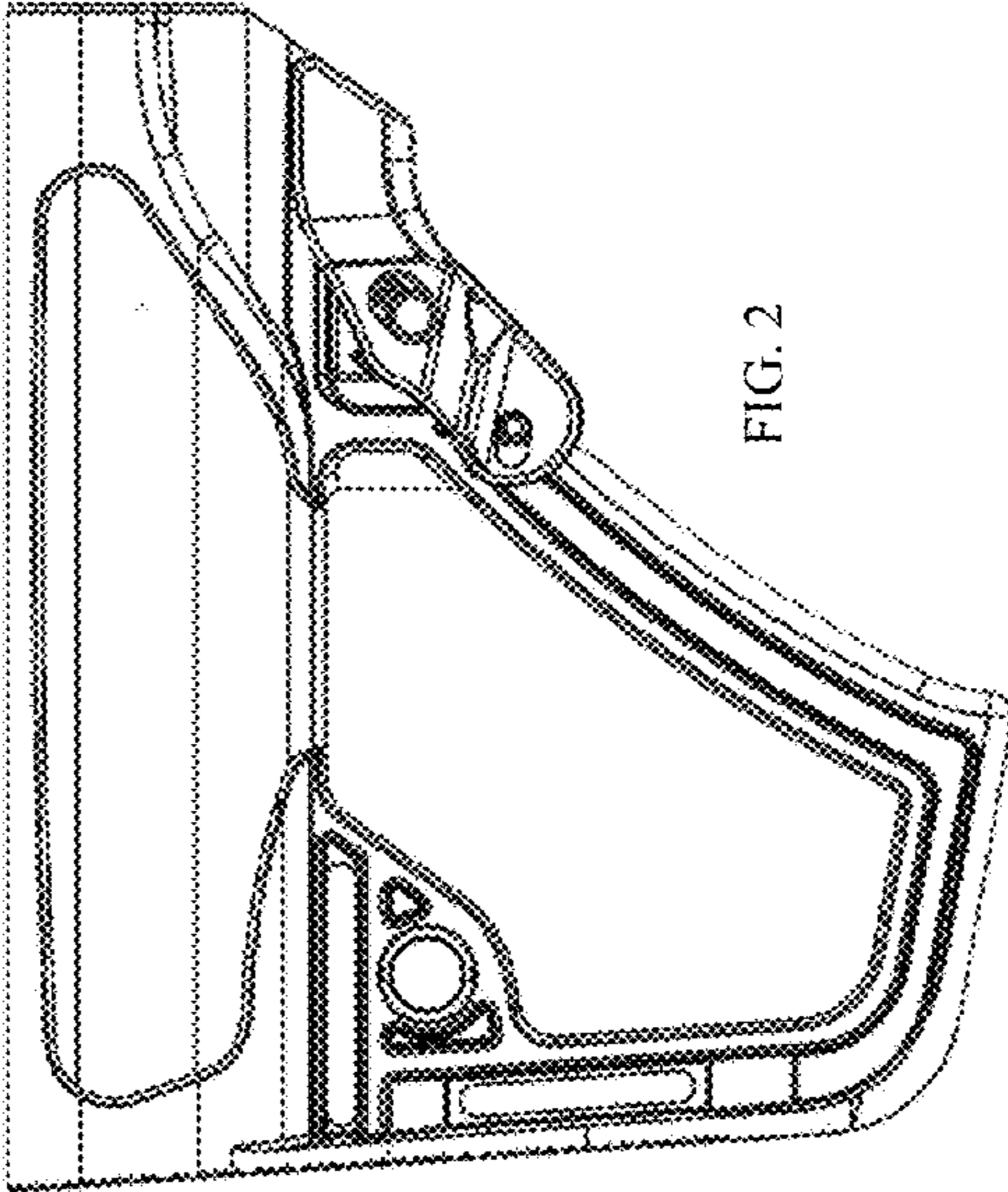


FIG. 2

FIG. 4

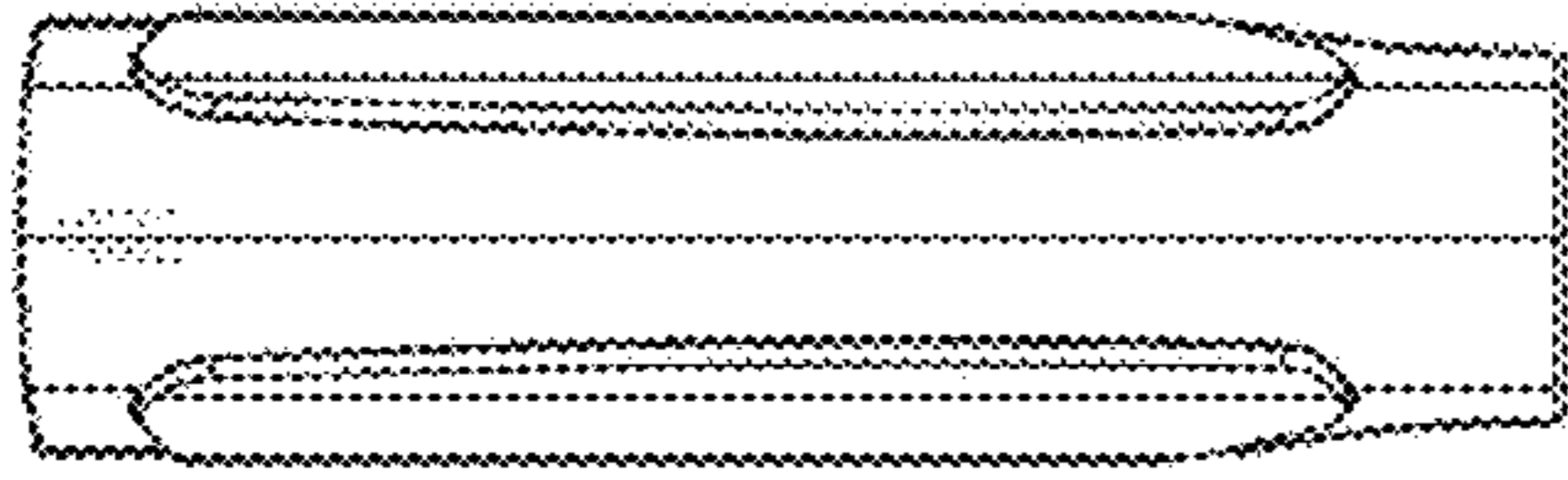


FIG. 6

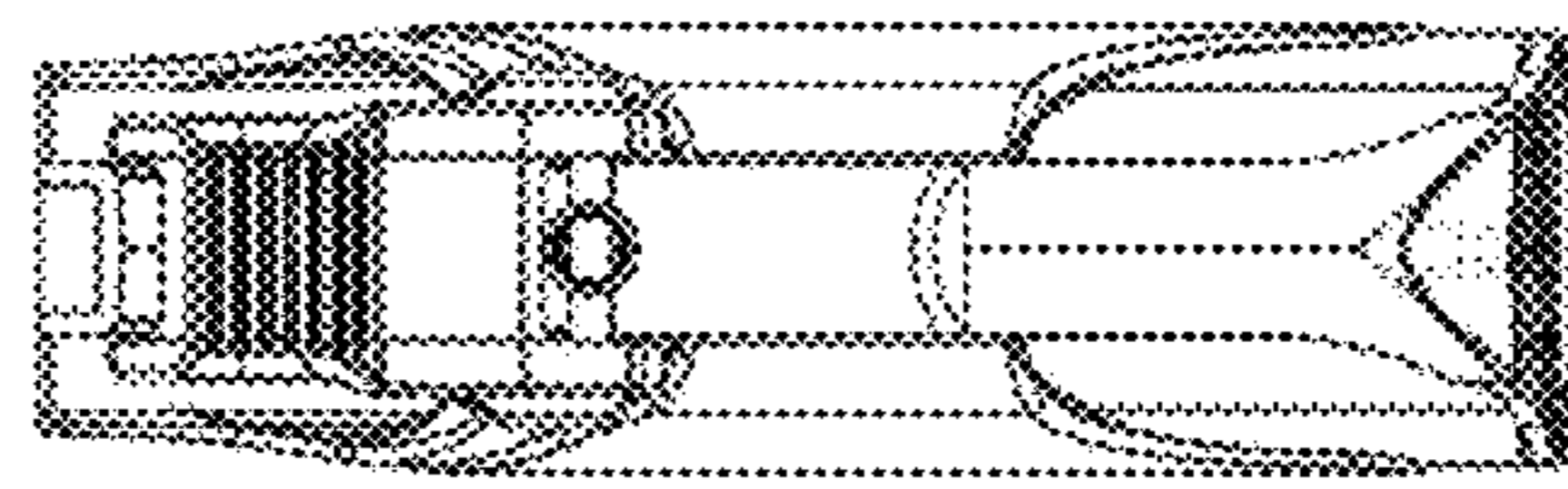


FIG. 3

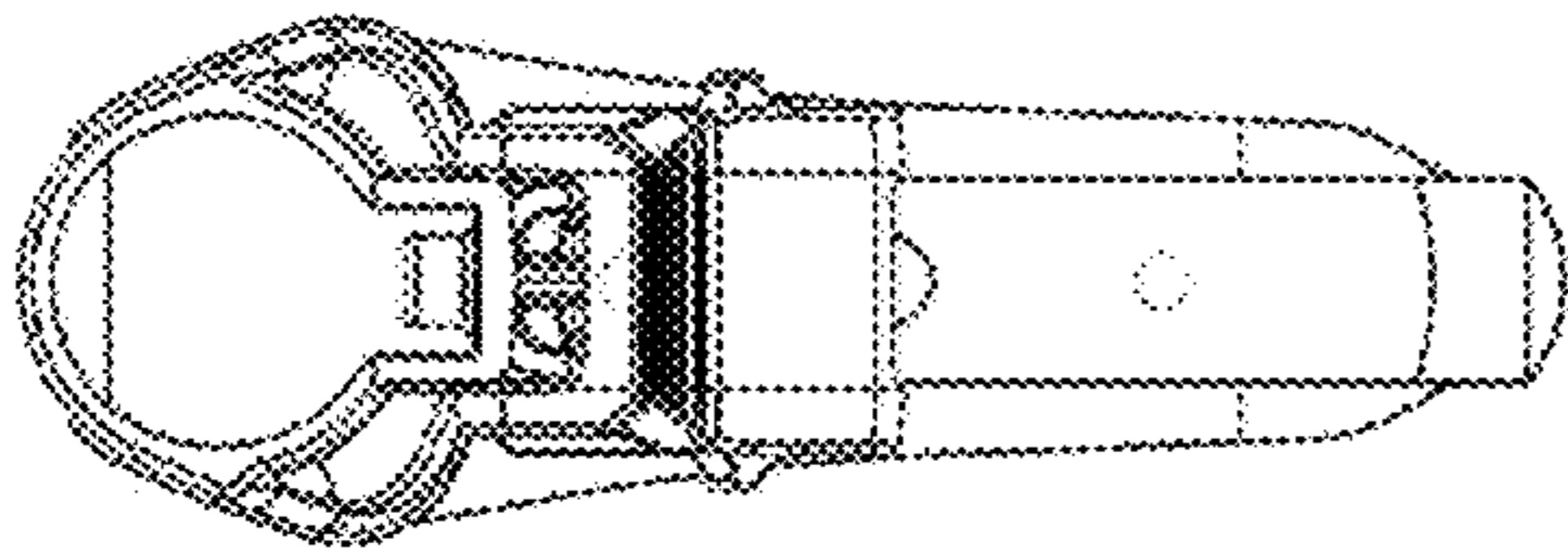
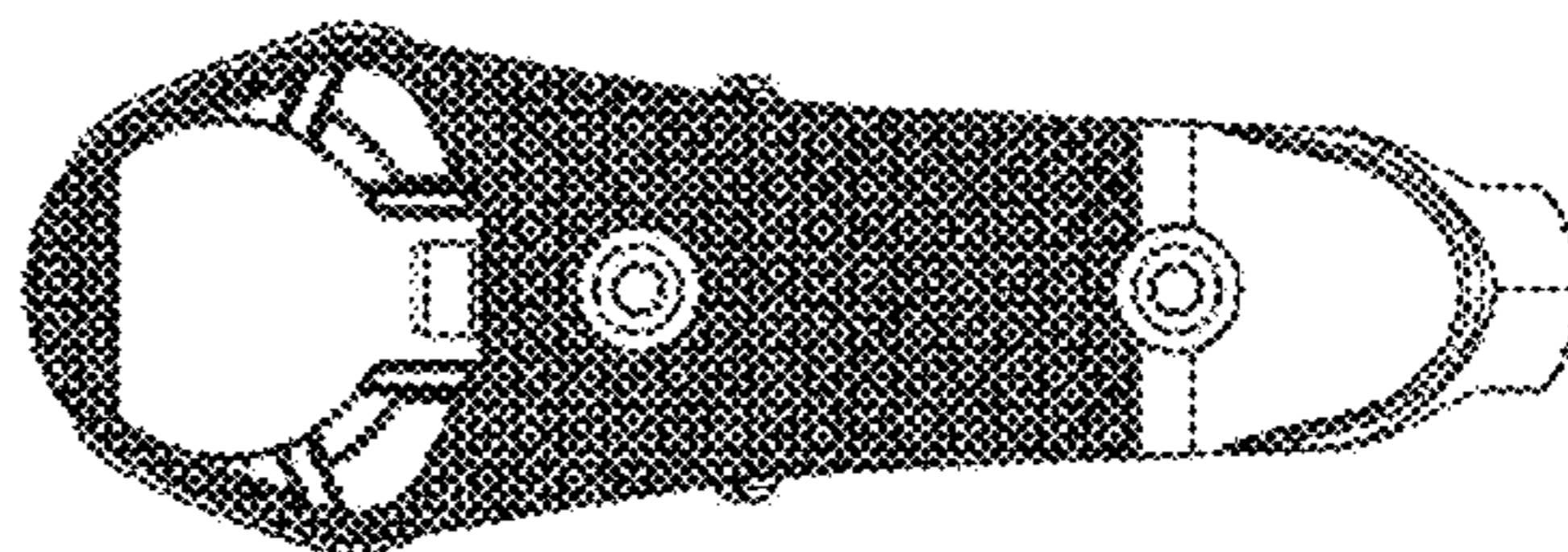


FIG. 5



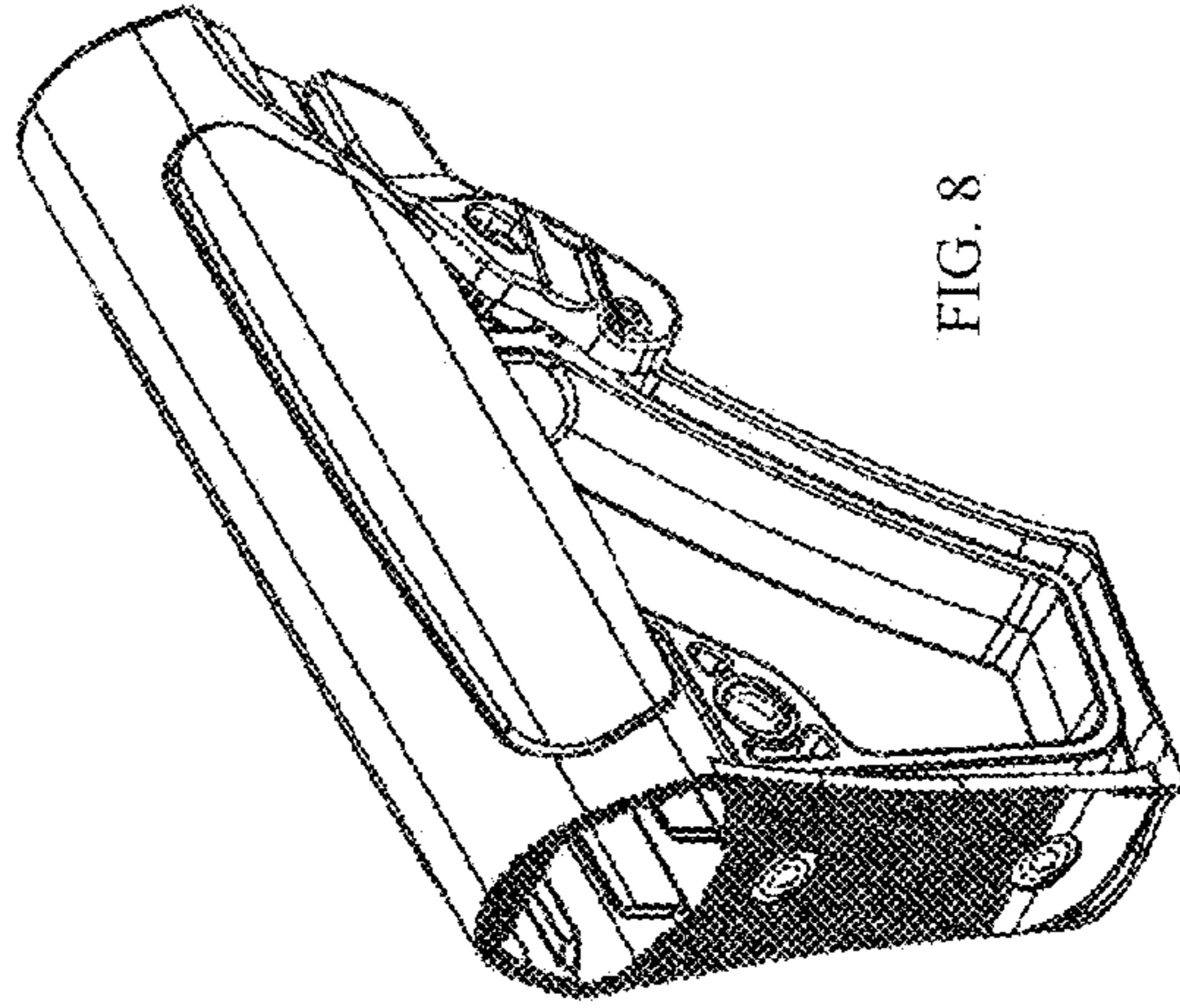


FIG. 8

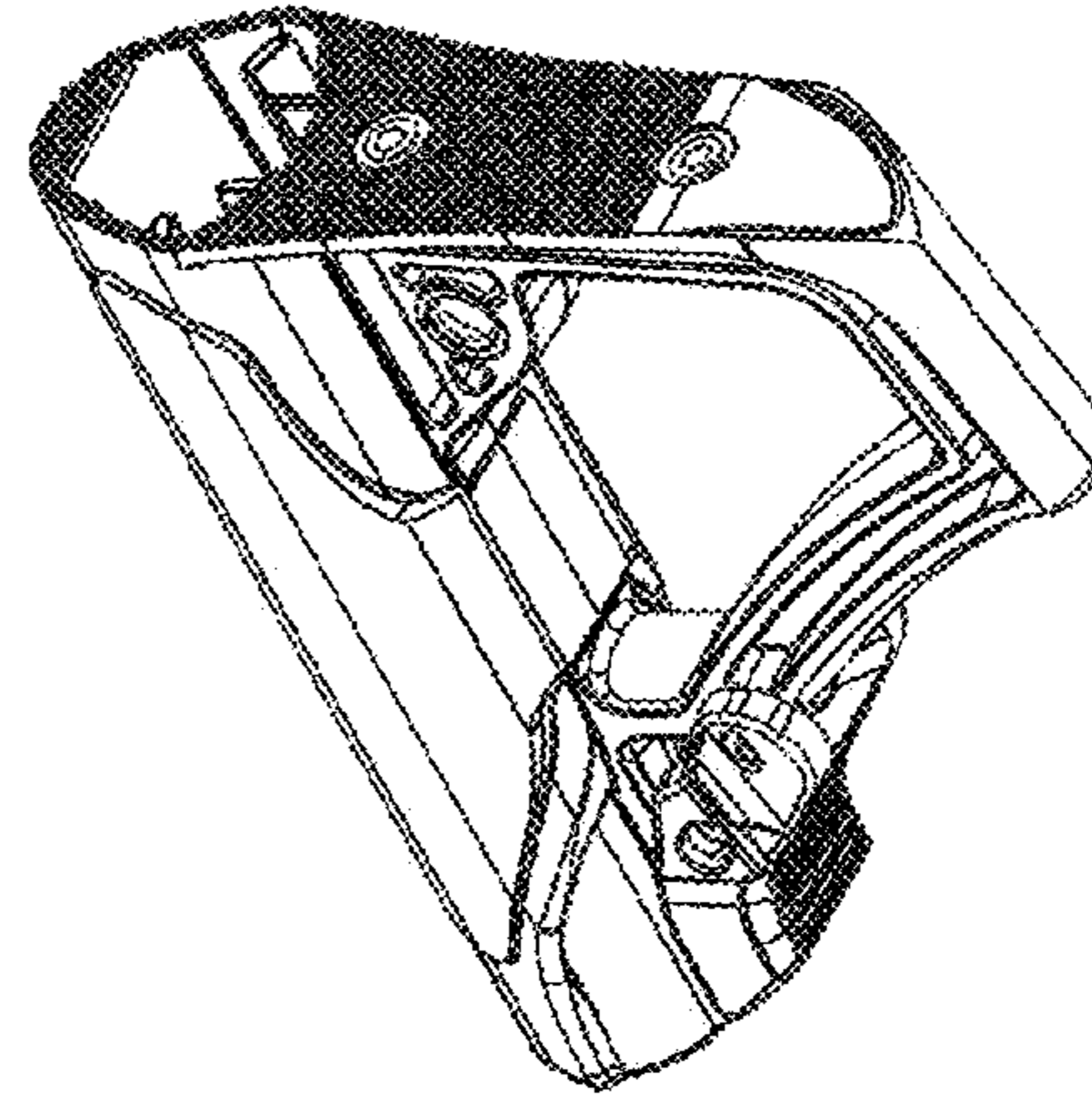


FIG. 9

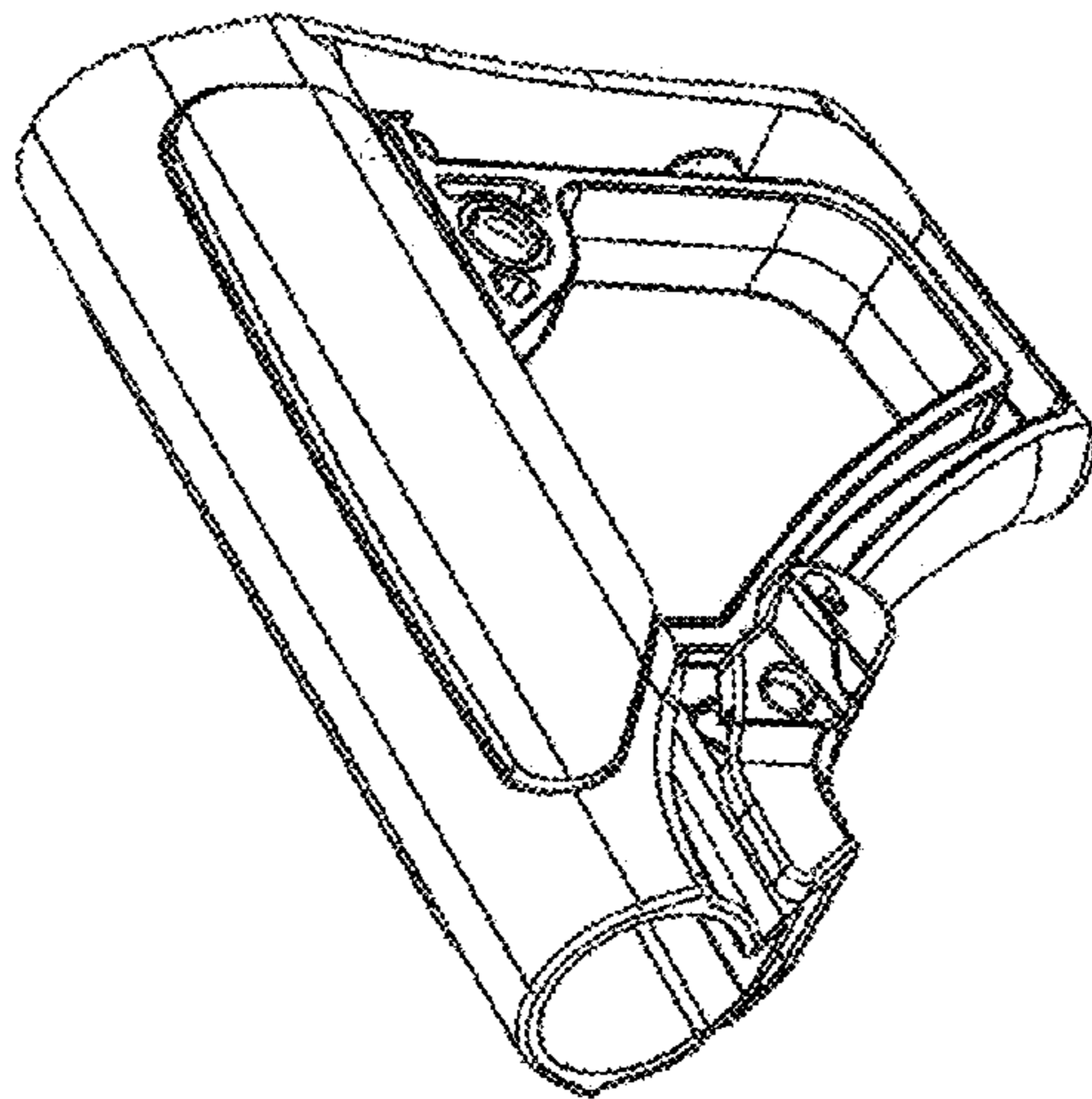
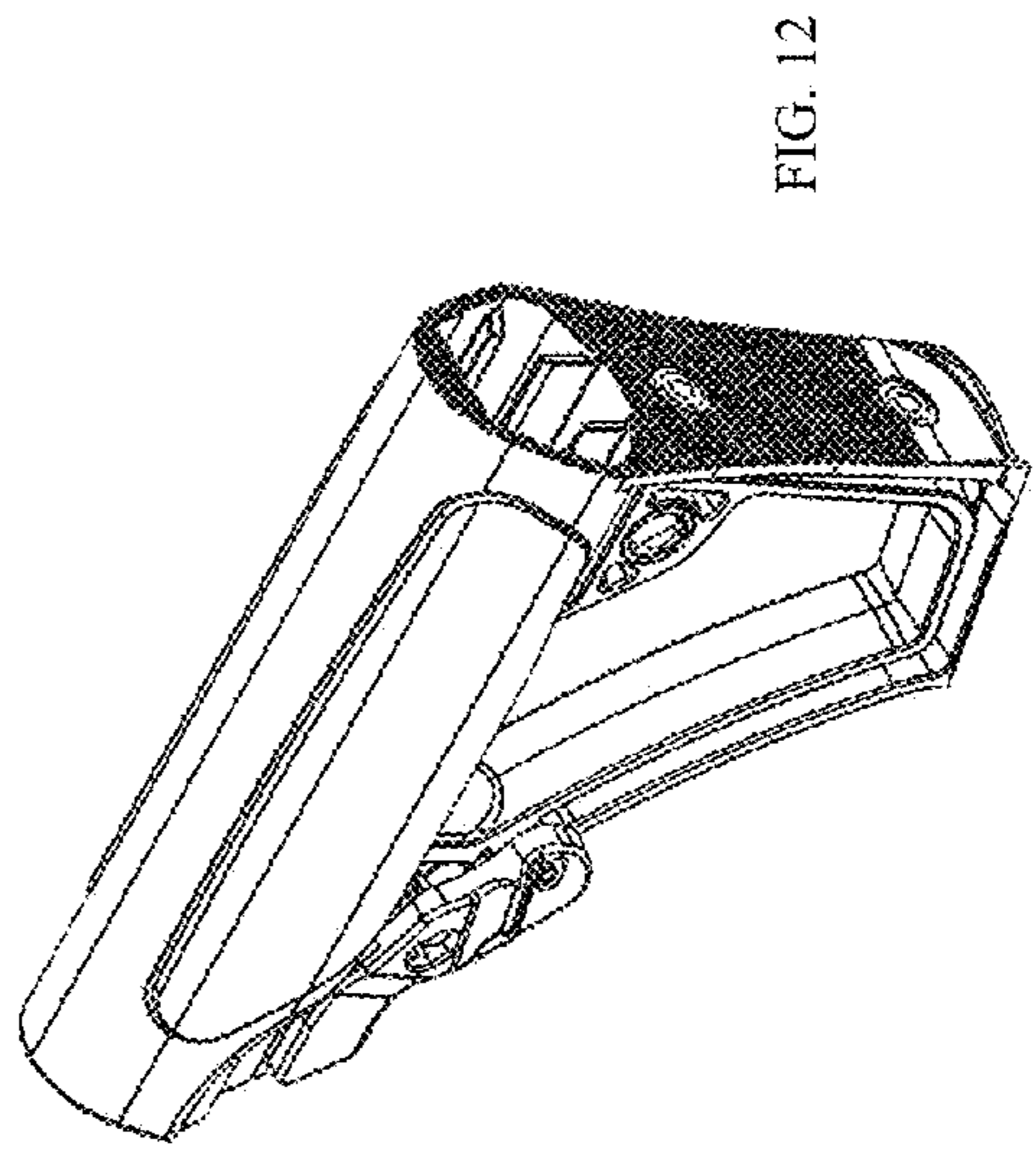
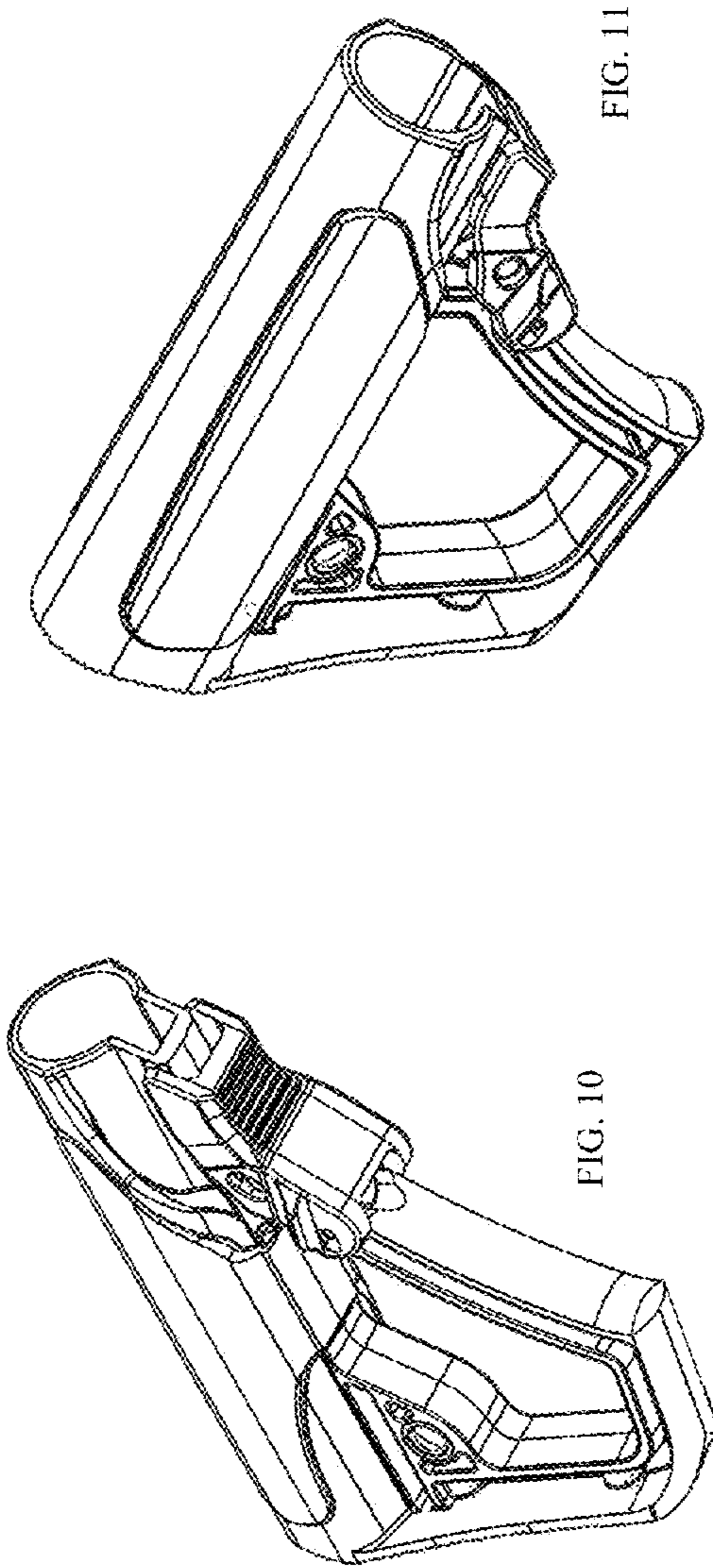


FIG. 7



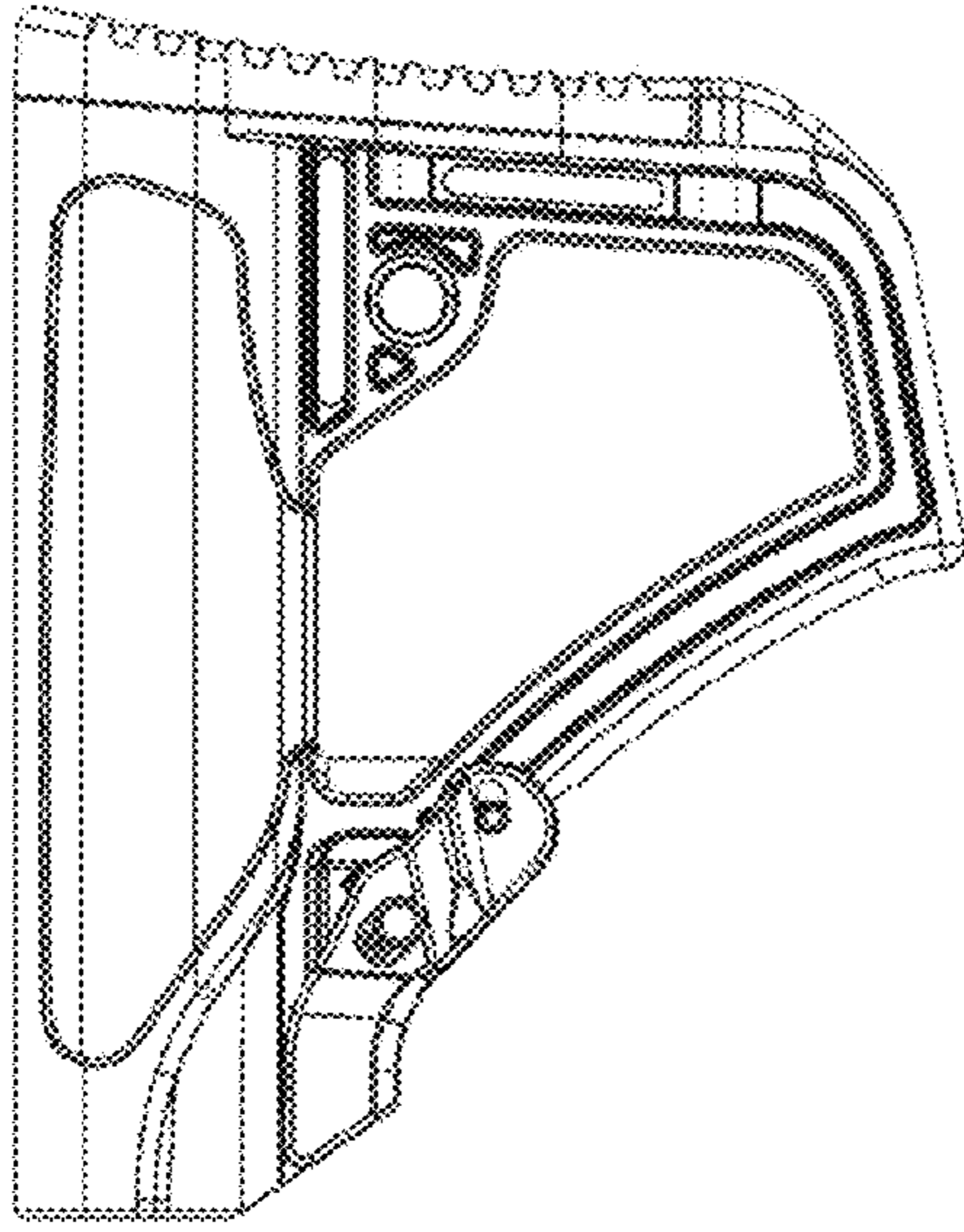


FIG. 14

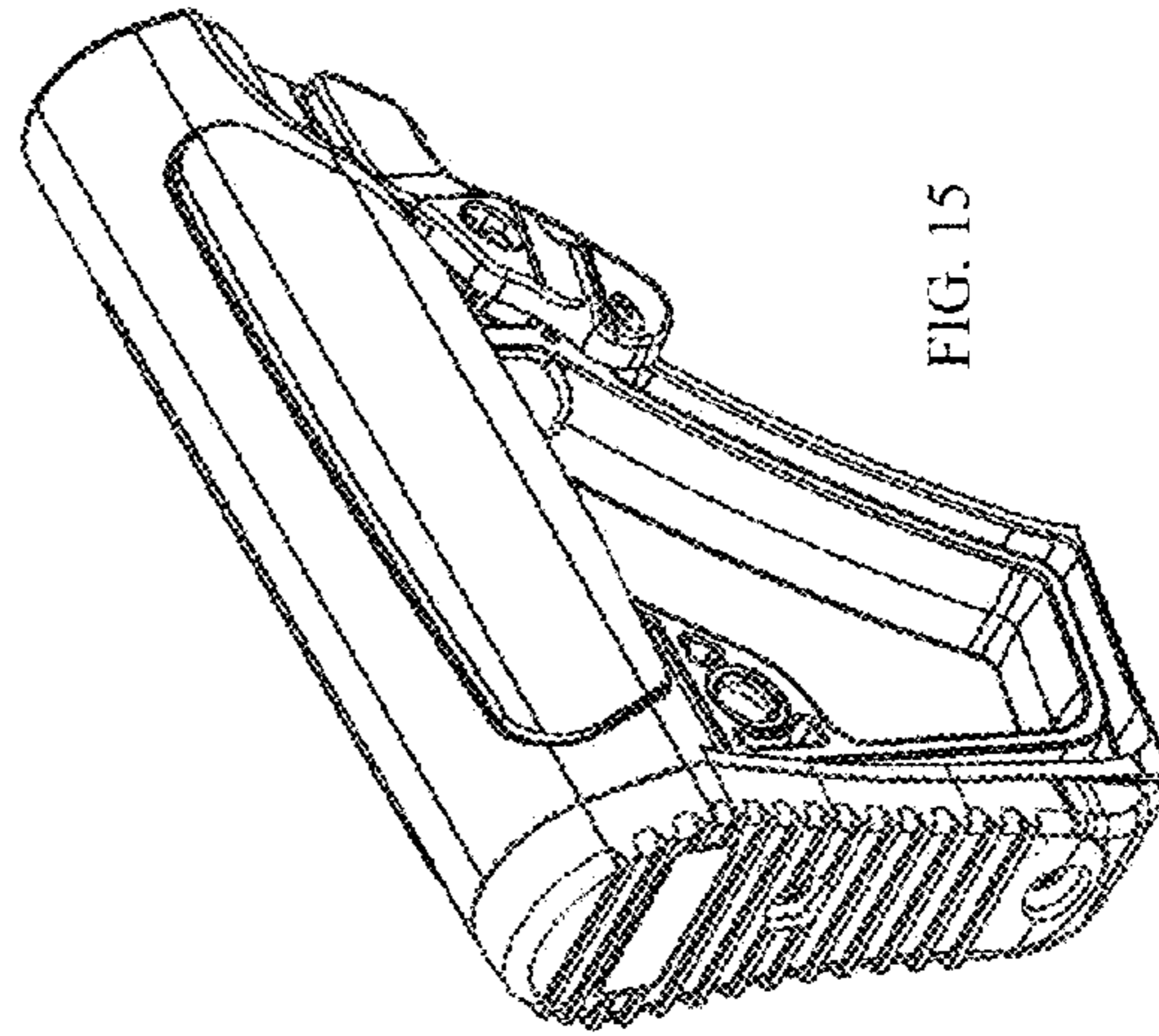


FIG. 15

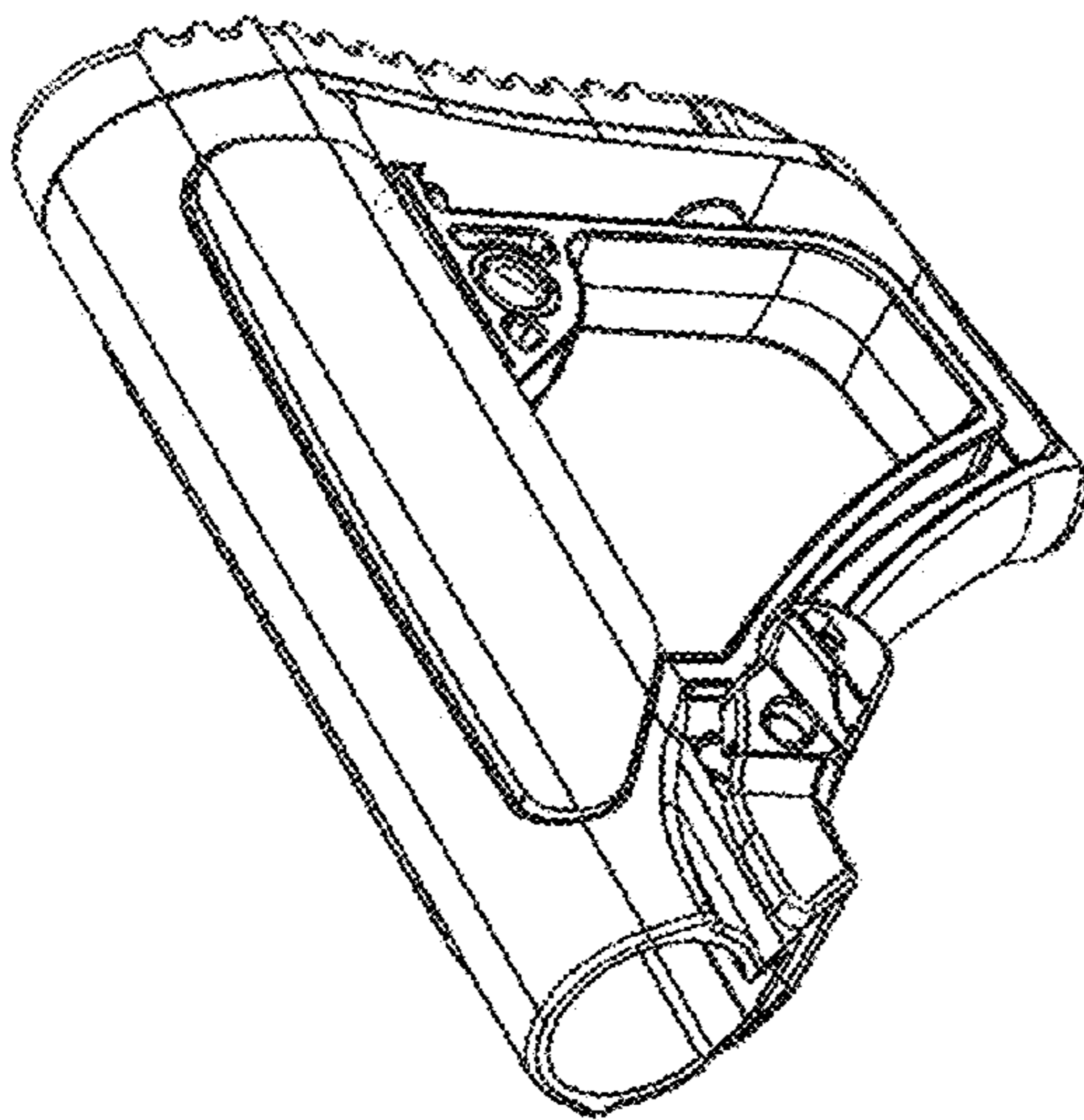


FIG. 13

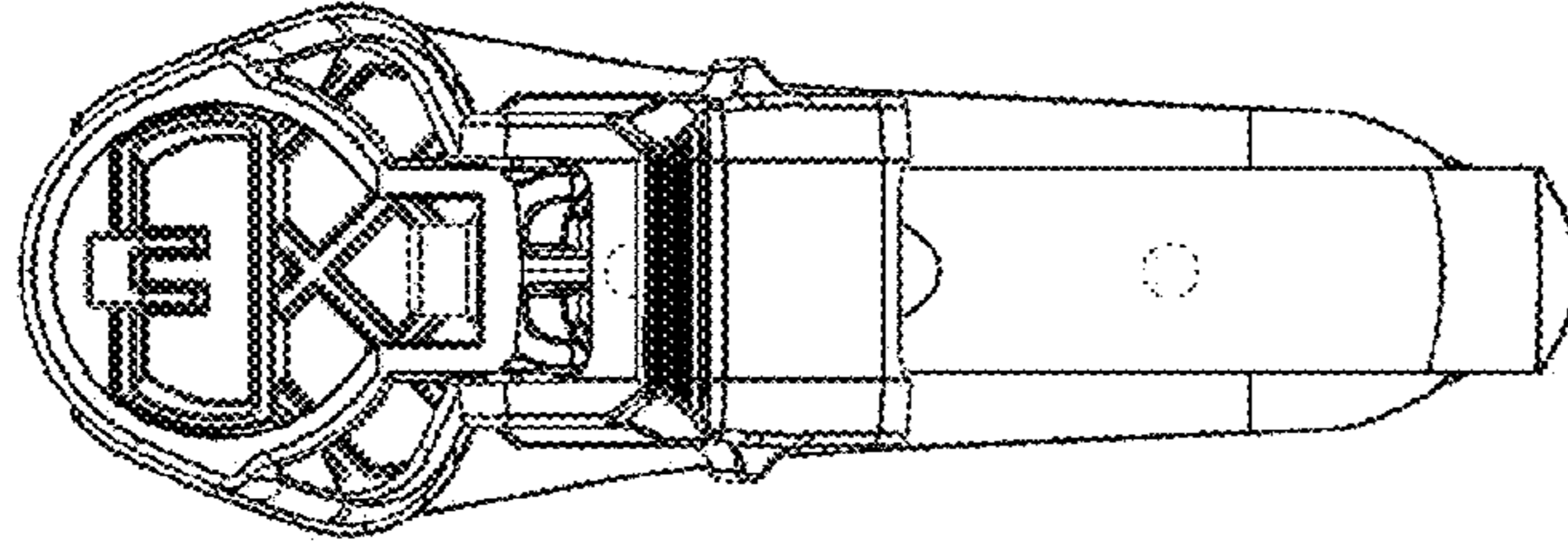


FIG. 18

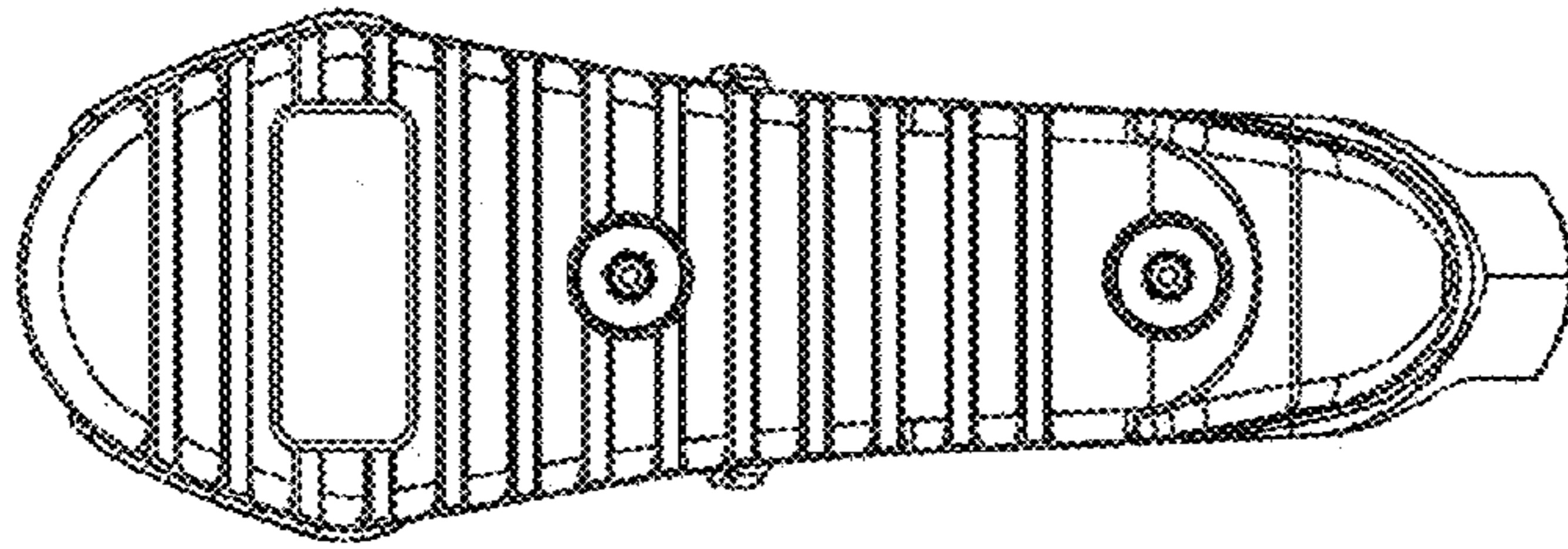


FIG. 17

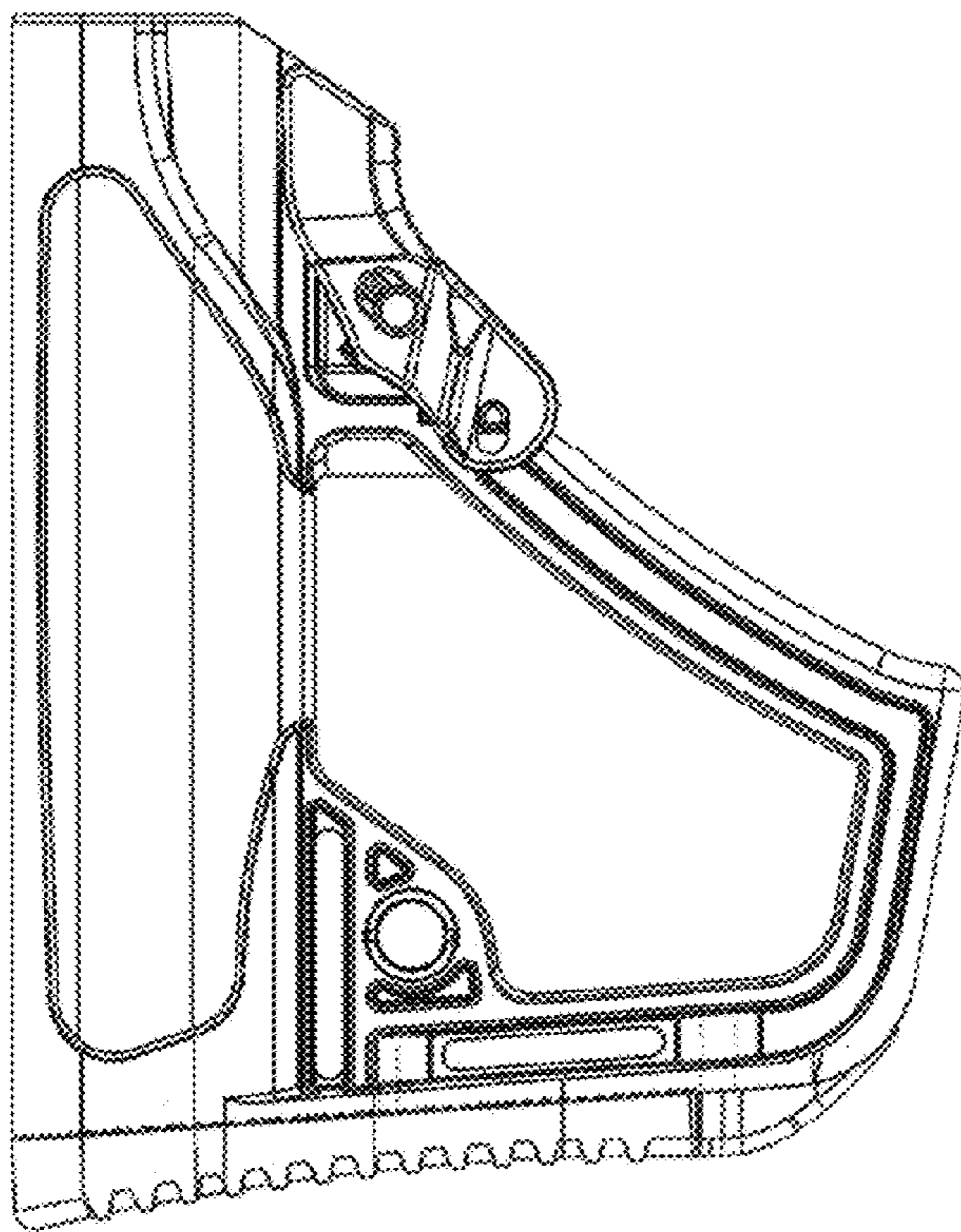


FIG. 16