



US00D728054S

(12) **United States Design Patent**  
**Webber**

(10) **Patent No.:** **US D728,054 S**

(45) **Date of Patent:** **\*\* Apr. 28, 2015**

(54) **FOREGRIP**

(71) Applicant: **Stark Equipment Corp.**, Sanbornville, NH (US)

(72) Inventor: **Kevin A. Webber**, Deerfield, NH (US)

(73) Assignee: **Stark Equipment Corp.**, Sanbornville, NH (US)

(\*\*) Term: **14 Years**

(21) Appl. No.: **29/459,149**

(22) Filed: **Jun. 26, 2013**

(51) **LOC (10) Cl.** ..... **22-01**

(52) **U.S. Cl.**  
USPC ..... **D22/108**

(58) **Field of Classification Search**

CPC ..... F41C 23/10; F41C 23/14; F41C 23/16;  
F41C 23/18

USPC ..... D22/108; 42/90, 94, 114, 117,  
42/124–127, 131, 146; 362/109–114

See application file for complete search history.

(56) **References Cited**

U.S. PATENT DOCUMENTS

D642,651 S *	8/2011	Faifer .....	D22/108
D643,497 S *	8/2011	Fitzpatrick et al. ....	D22/108
D665,043 S *	8/2012	Fitzpatrick et al. ....	D22/108
D691,236 S *	10/2013	Fitzpatrick et al. ....	D22/108
D693,424 S *	11/2013	Wristen .....	D22/108
D698,885 S *	2/2014	Faifer .....	D22/108

\* cited by examiner

Primary Examiner — Michael A Pratt

(74) *Attorney, Agent, or Firm* — Hartman & Citrin LLC

(57) **CLAIM**

The ornamental design for a foregrip, as shown and described.

**DESCRIPTION**

FIG. 1 is an isometric view of an embodiment of a foregrip according to our design;

FIG. 2 is another isometric view thereof;

FIG. 3 is front view thereof;

FIG. 4 is a rear view thereof;

FIGS. 5 and 6 are side views thereof;

FIG. 7 is a top view thereof;

FIG. 8 is a bottom view thereof;

FIG. 9 is an isometric view of an embodiment of a foregrip according to our design;

FIG. 10 is another isometric view thereof;

FIG. 11 is front view thereof;

FIG. 12 is a rear view thereof;

FIGS. 13 and 14 are side views thereof;

FIG. 15 is a top view thereof;

FIG. 16 is a bottom view thereof;

FIG. 17 is an isometric view of an embodiment of a foregrip according to our design;

FIG. 18 is another isometric view thereof;

FIG. 19 is front view thereof;

FIG. 20 is a rear view thereof;

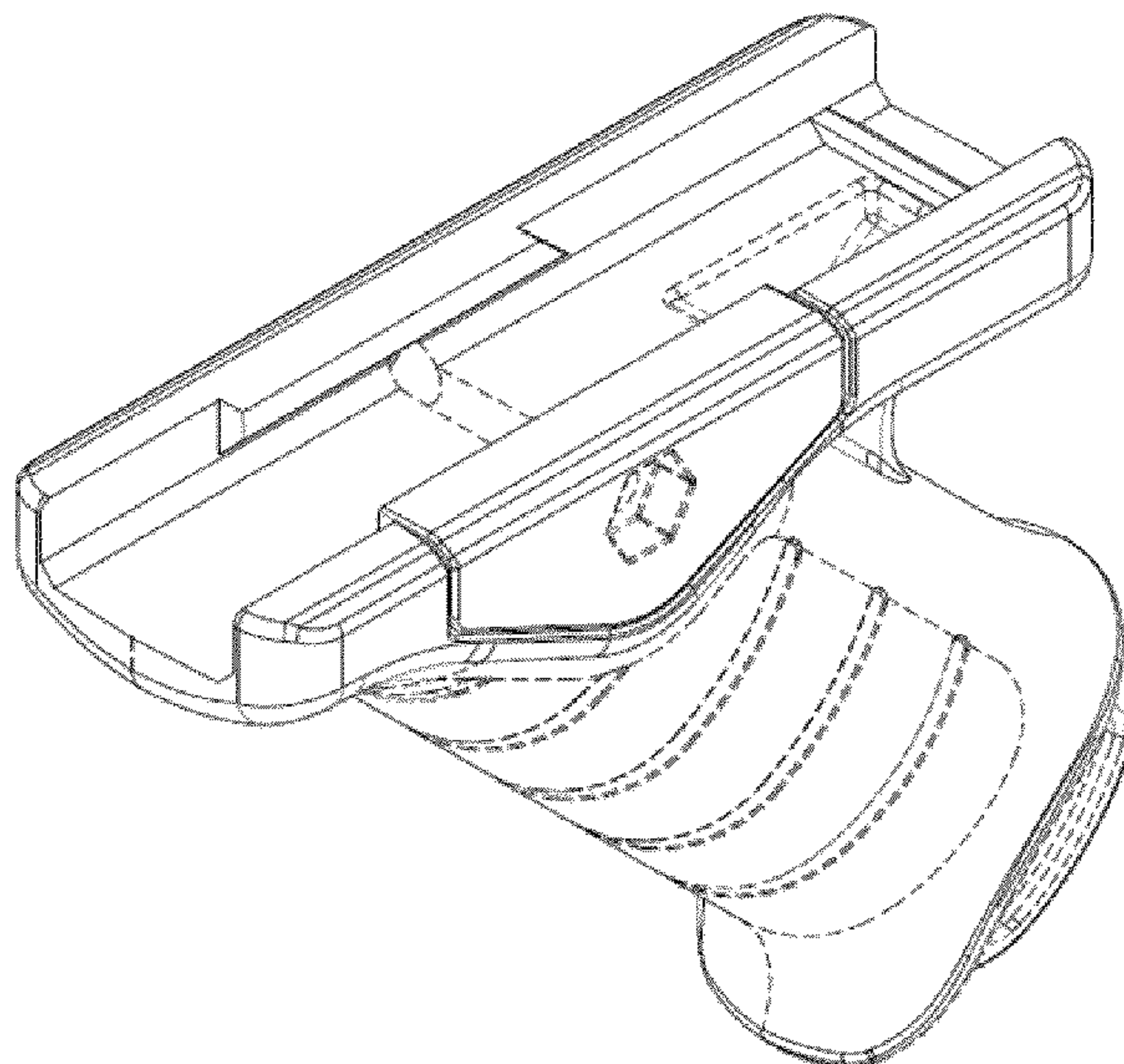
FIGS. 21 and 22 are side views thereof;

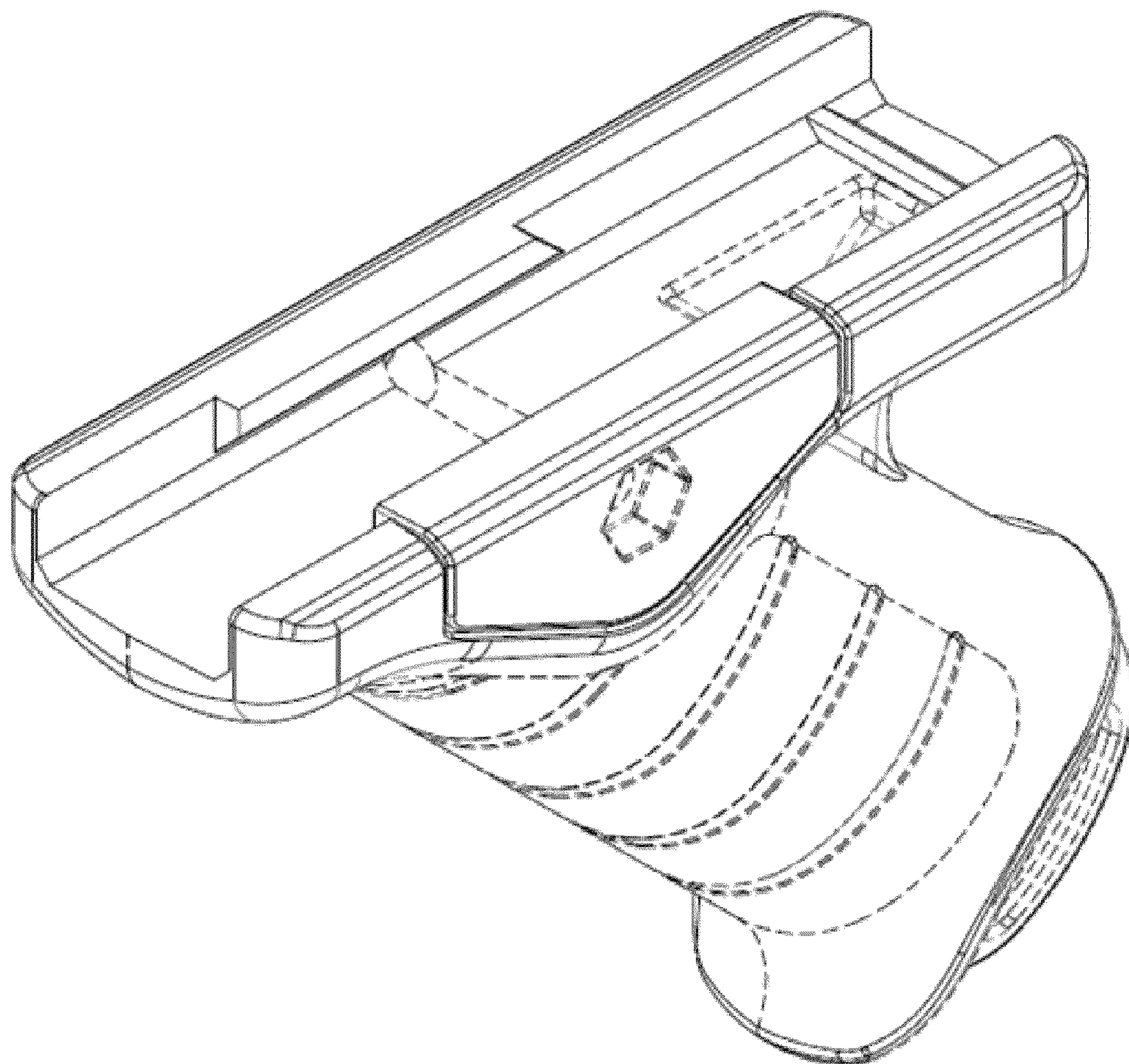
FIG. 23 is a top view thereof; and,

FIG. 24 is a bottom view thereof.

Broken lines having repeated short dashes in the Figures are for illustrative purposes only and form no part of the claimed design. Shade lines having a combination of long and short lines in the Figures show contour and not surface ornamentation.

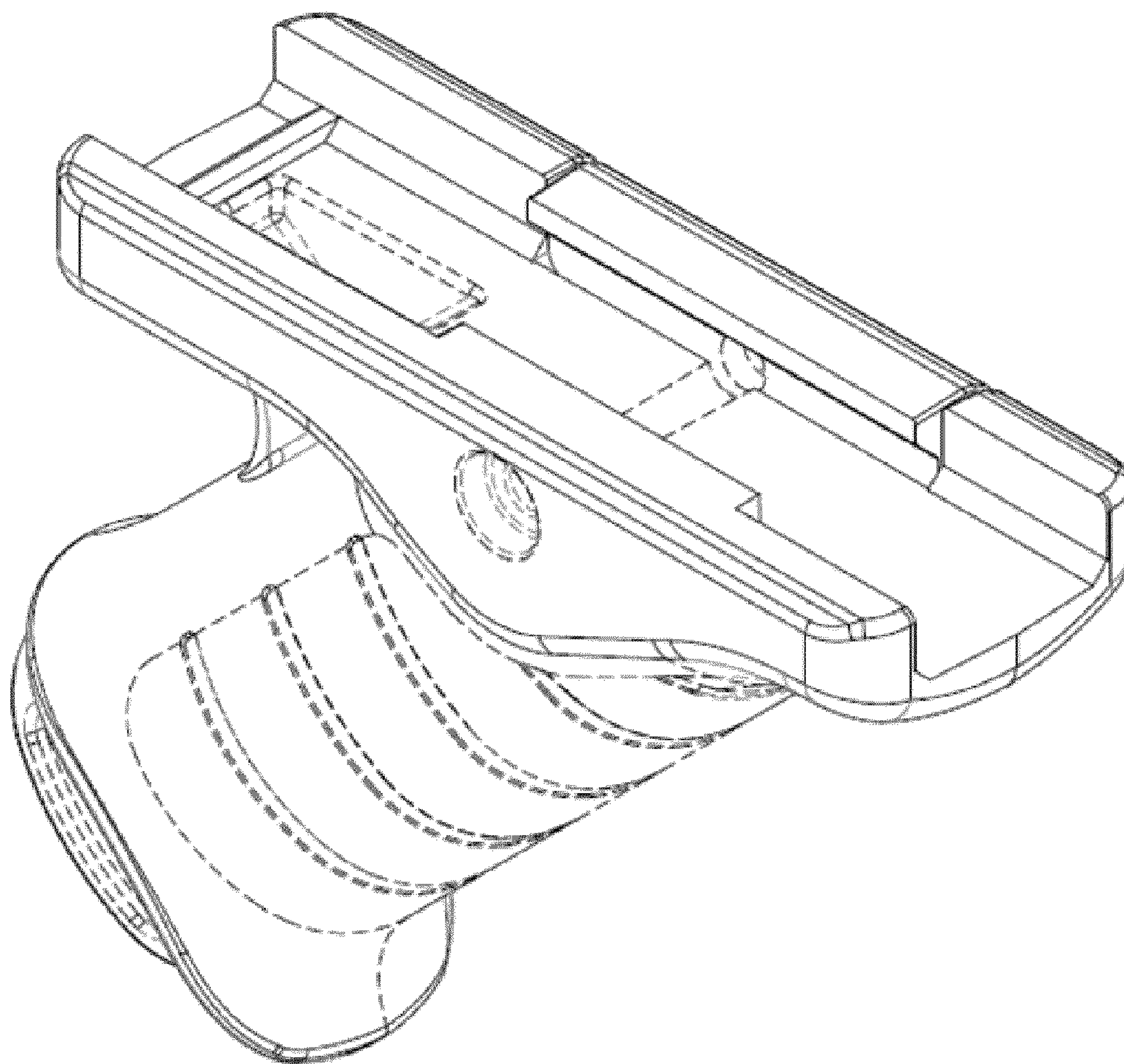
**1 Claim, 18 Drawing Sheets**



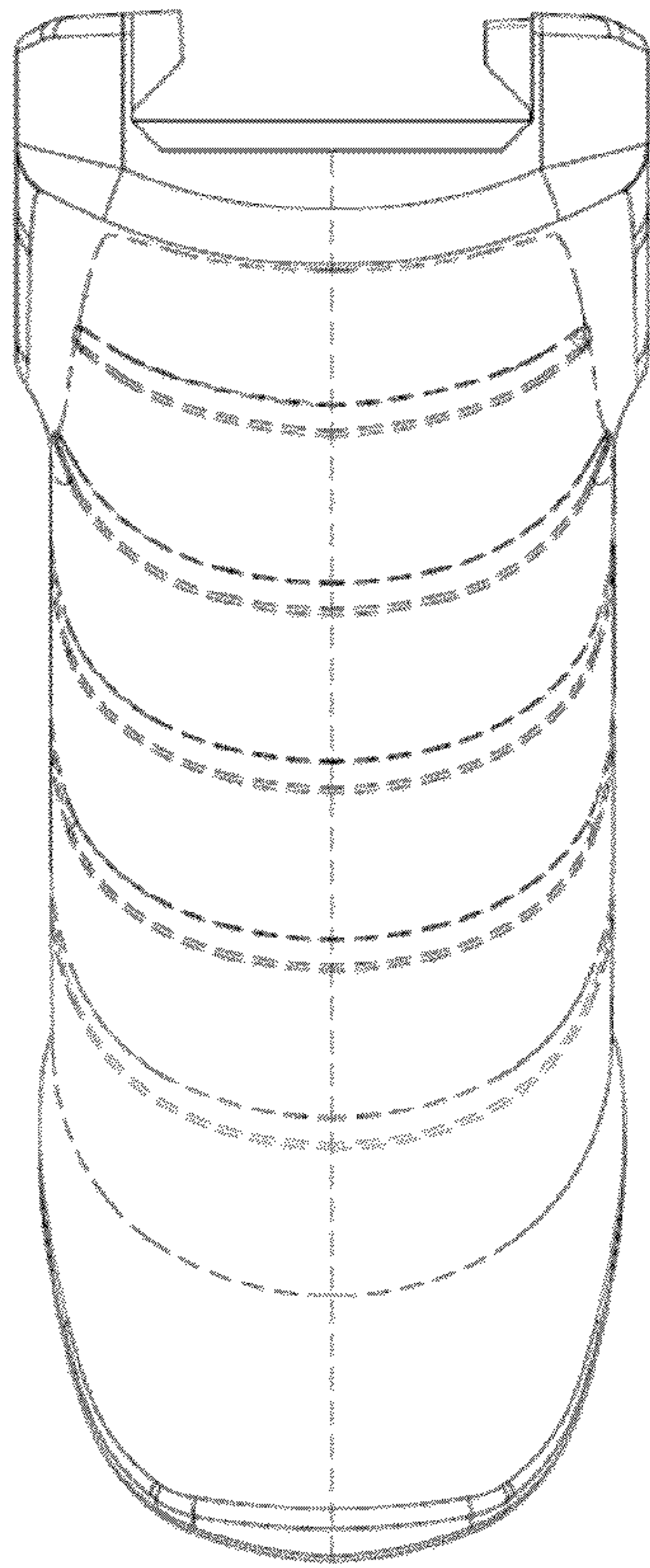


*Figure 1*

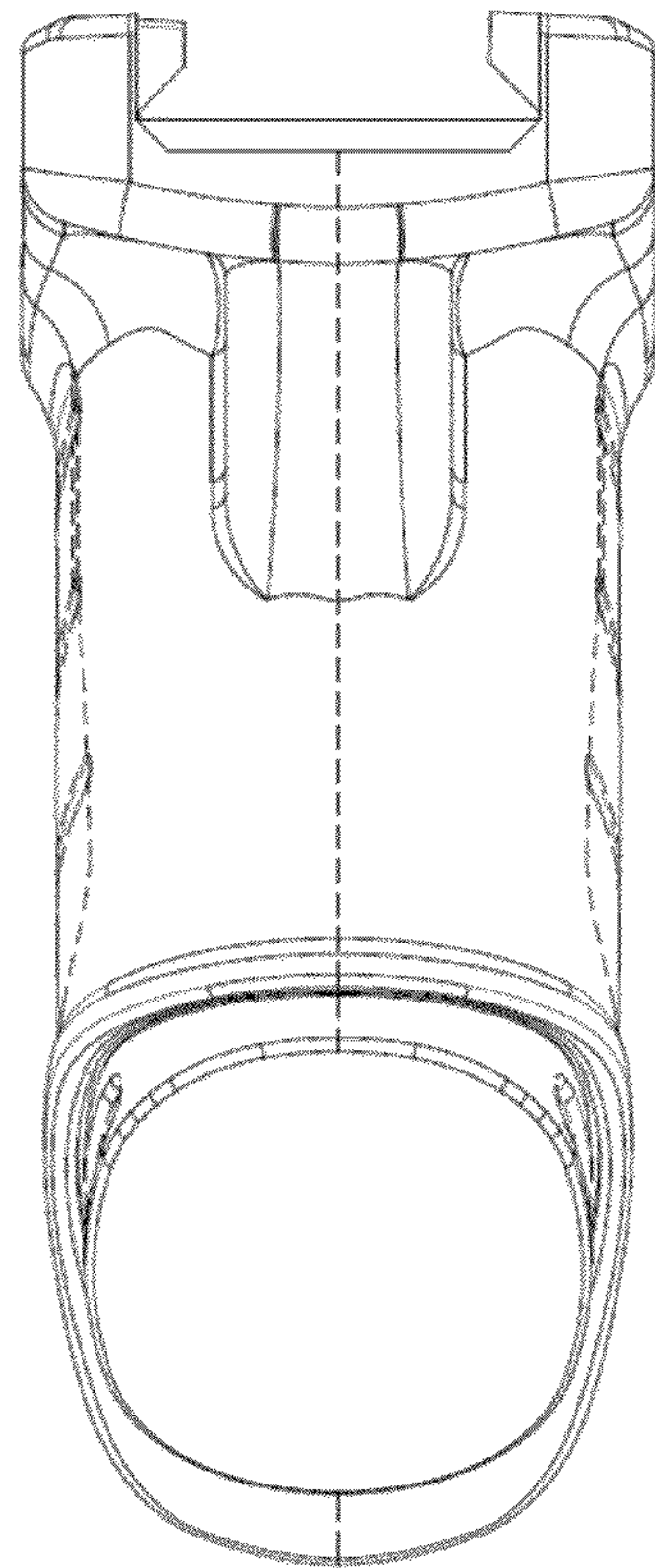




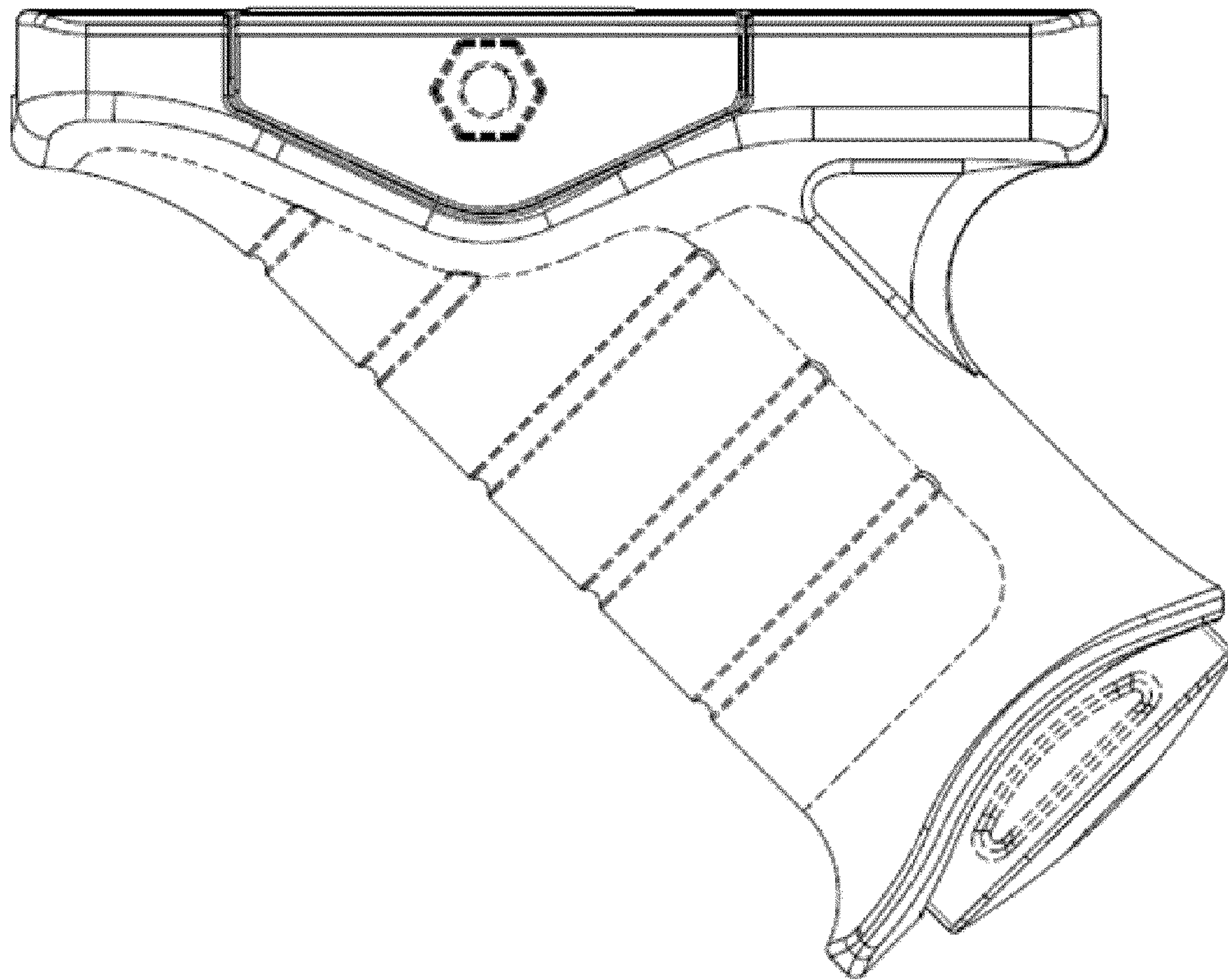
*Figure 2*



*Figure 3*

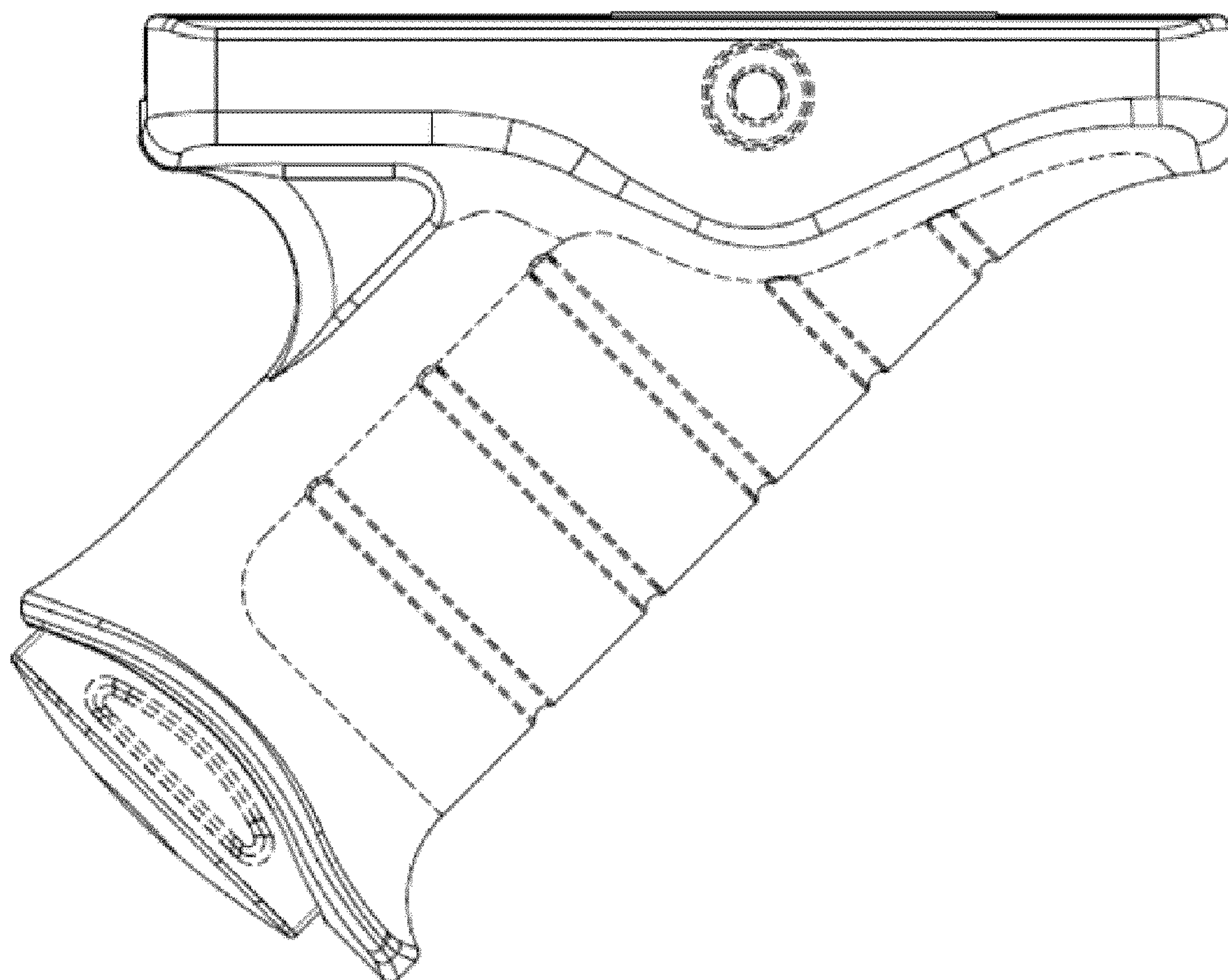


*Figure 4*

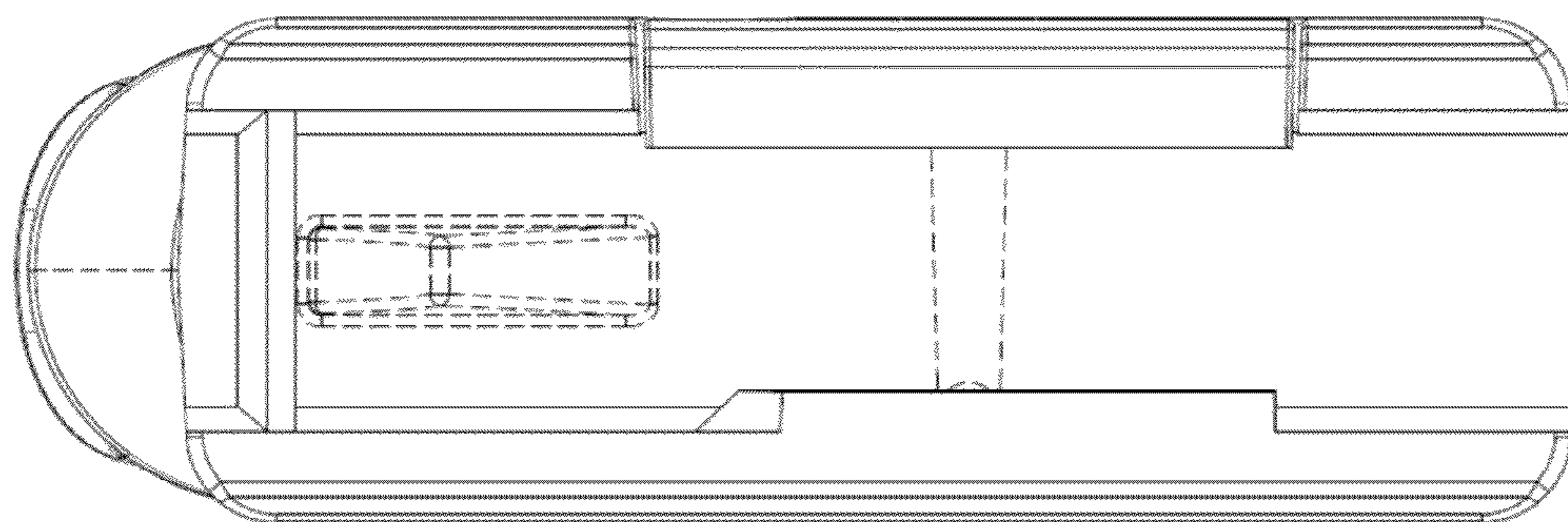


*Figure 5*

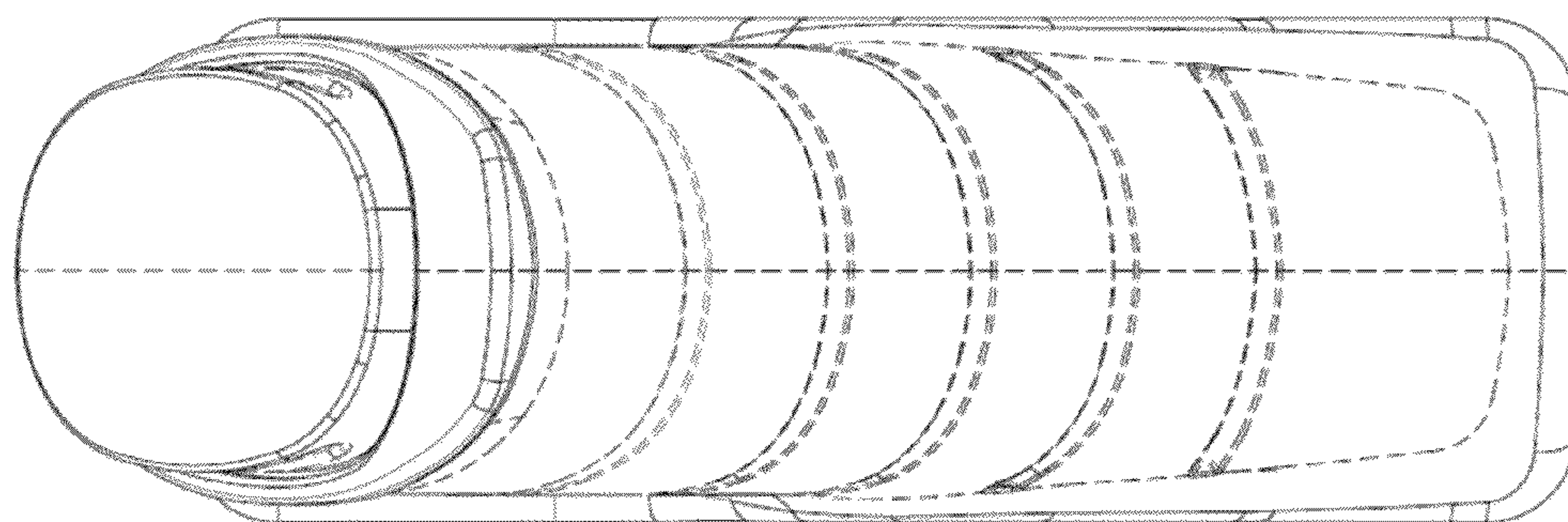




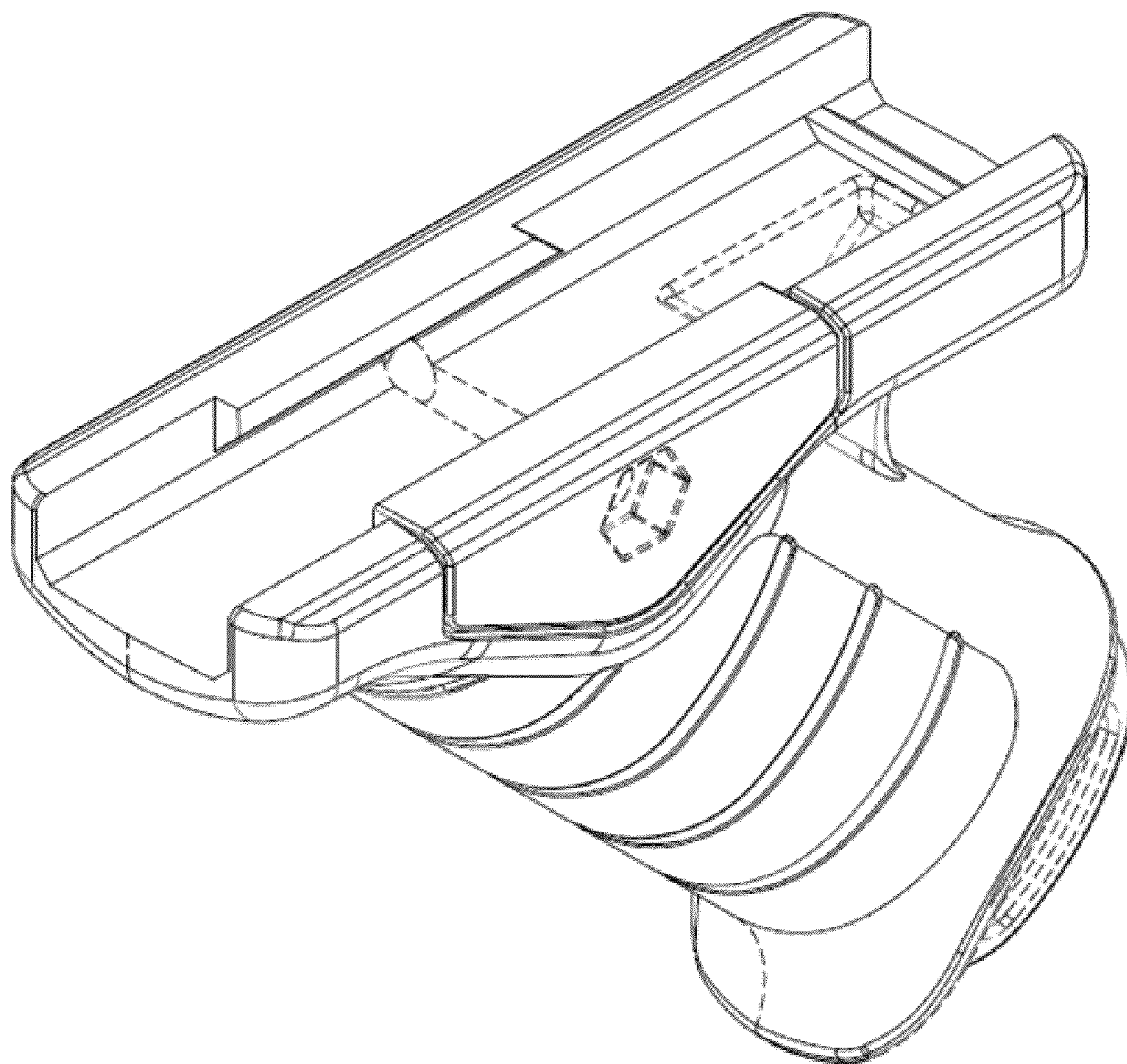
*Figure 6*



*Figure 7*

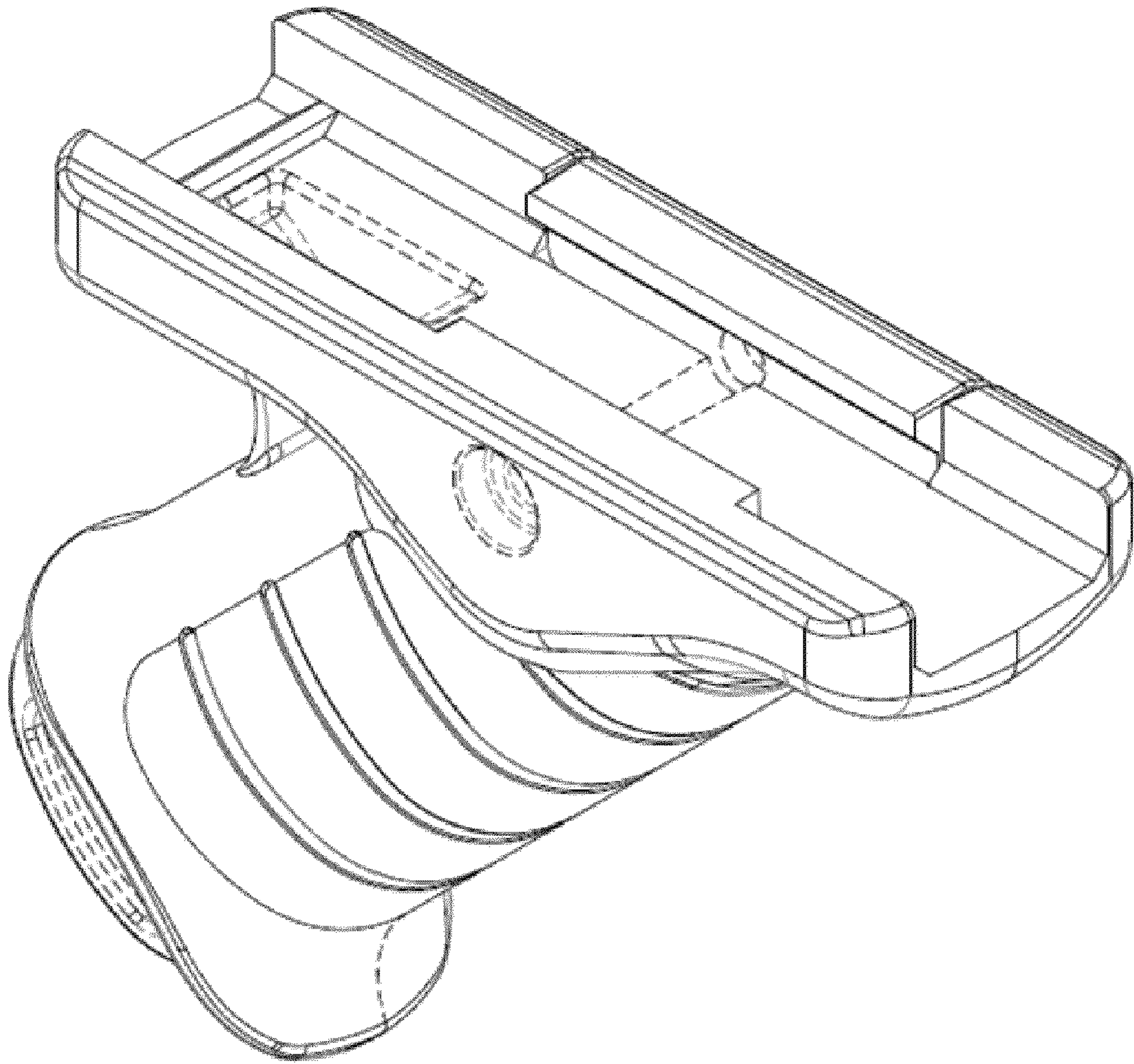


*Figure 8*

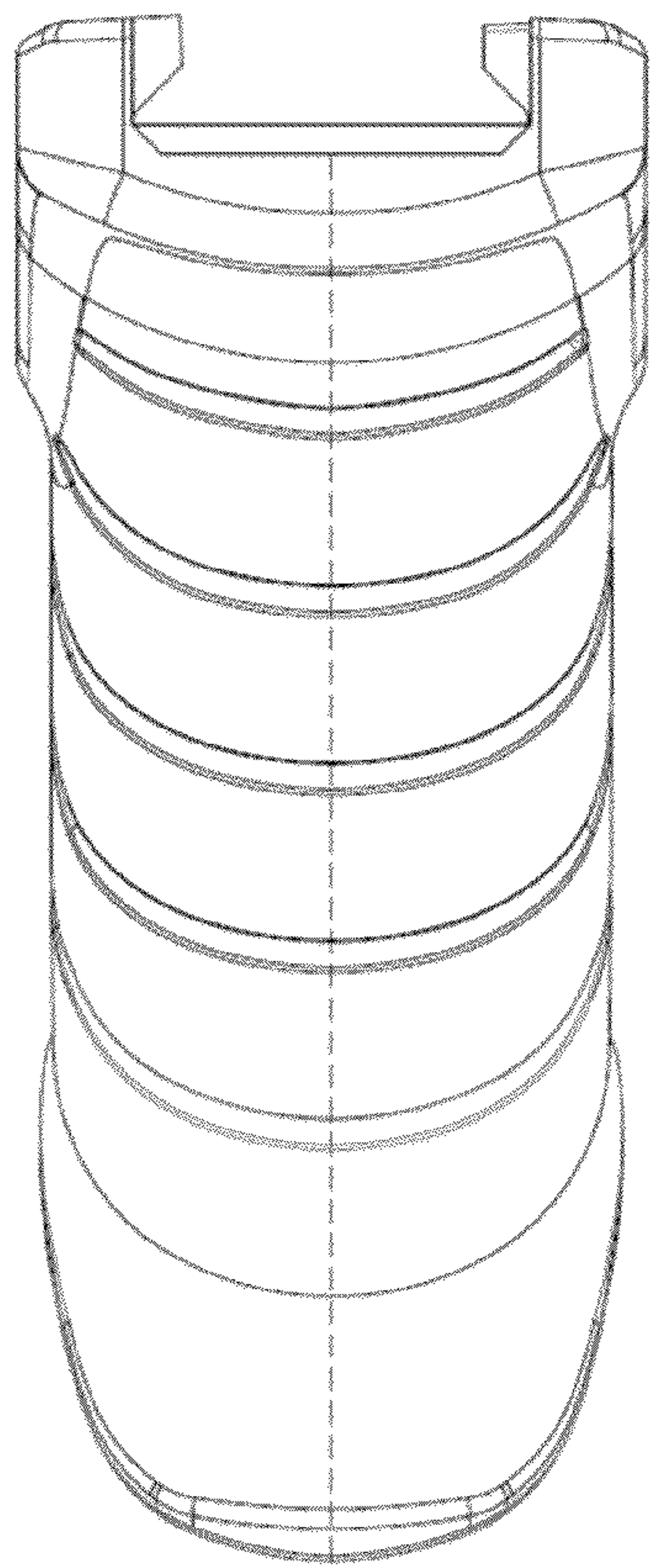


*Figure 9*

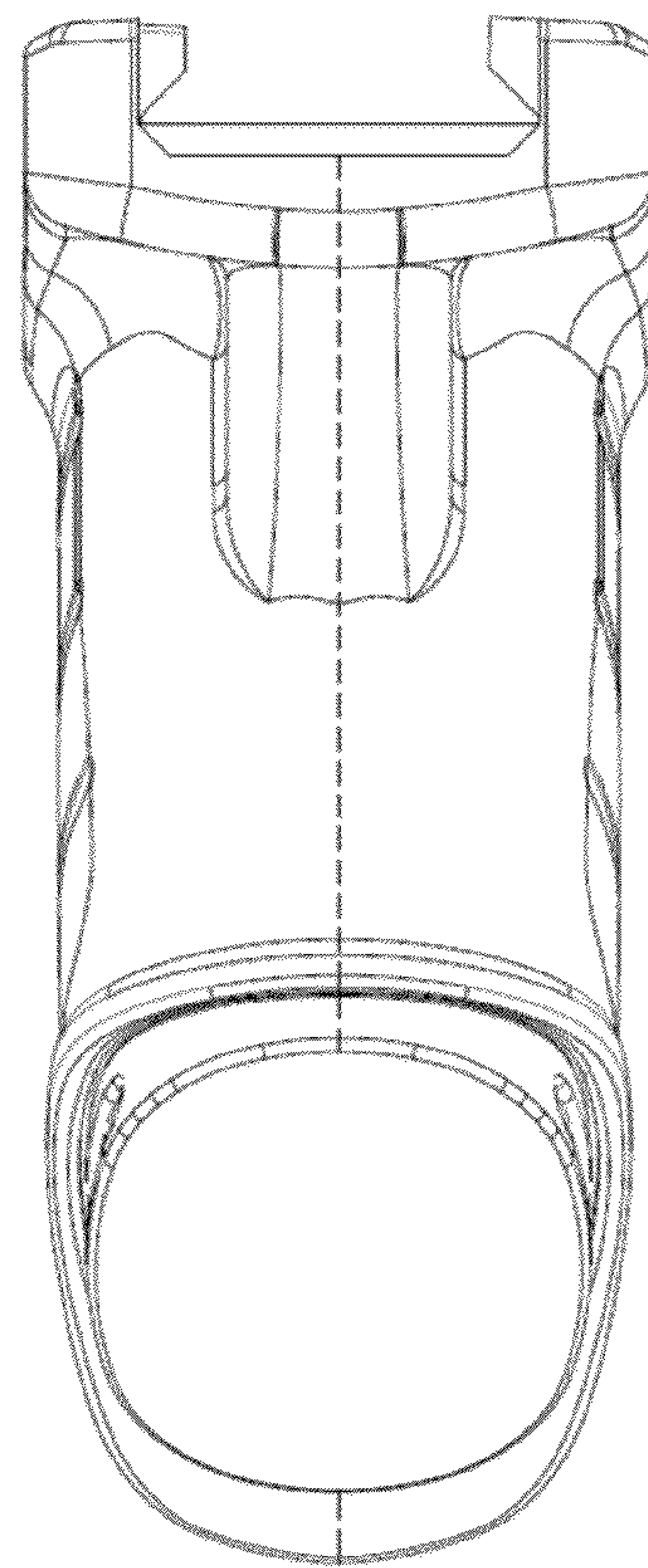




*Figure 10*

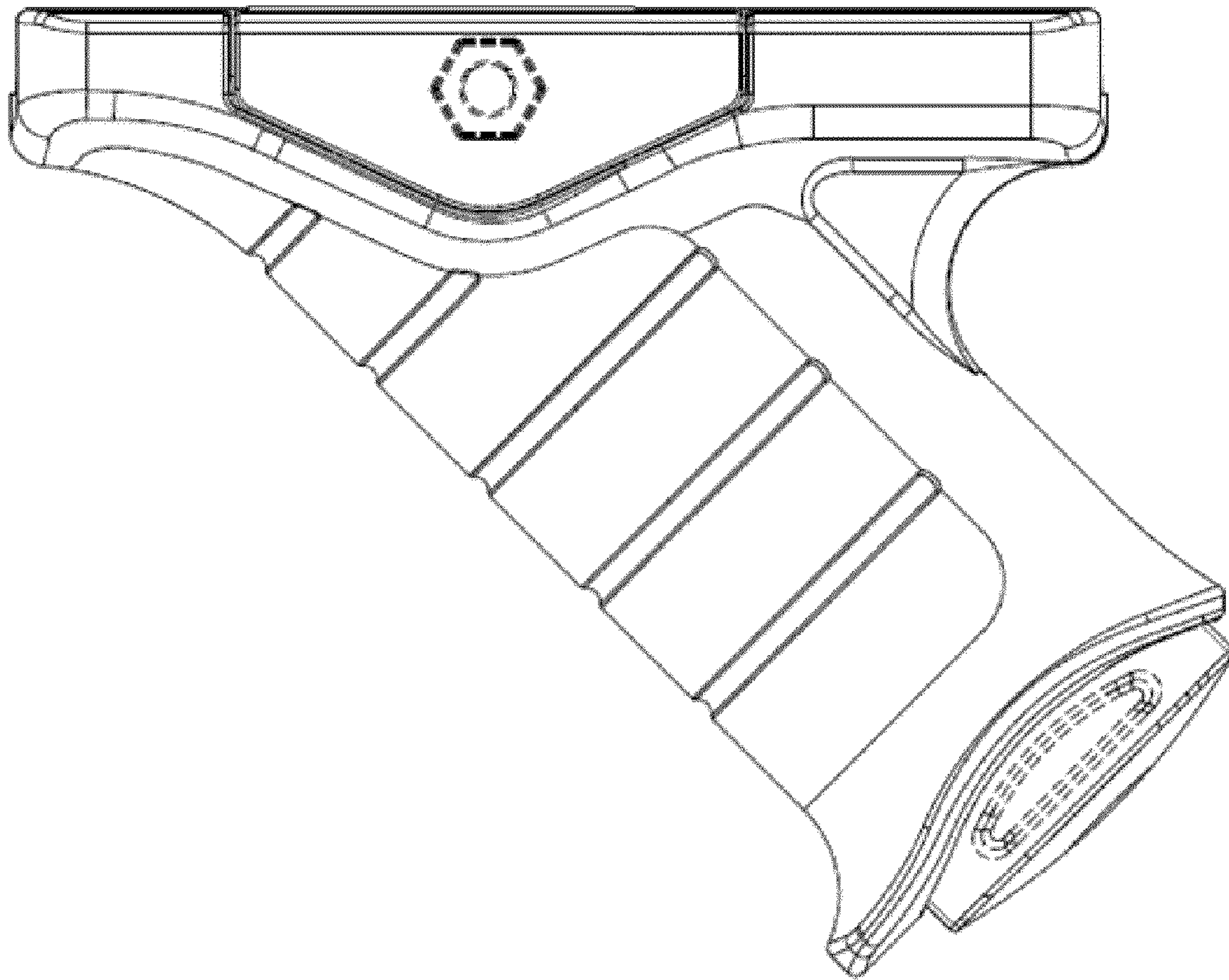


*Figure 11*

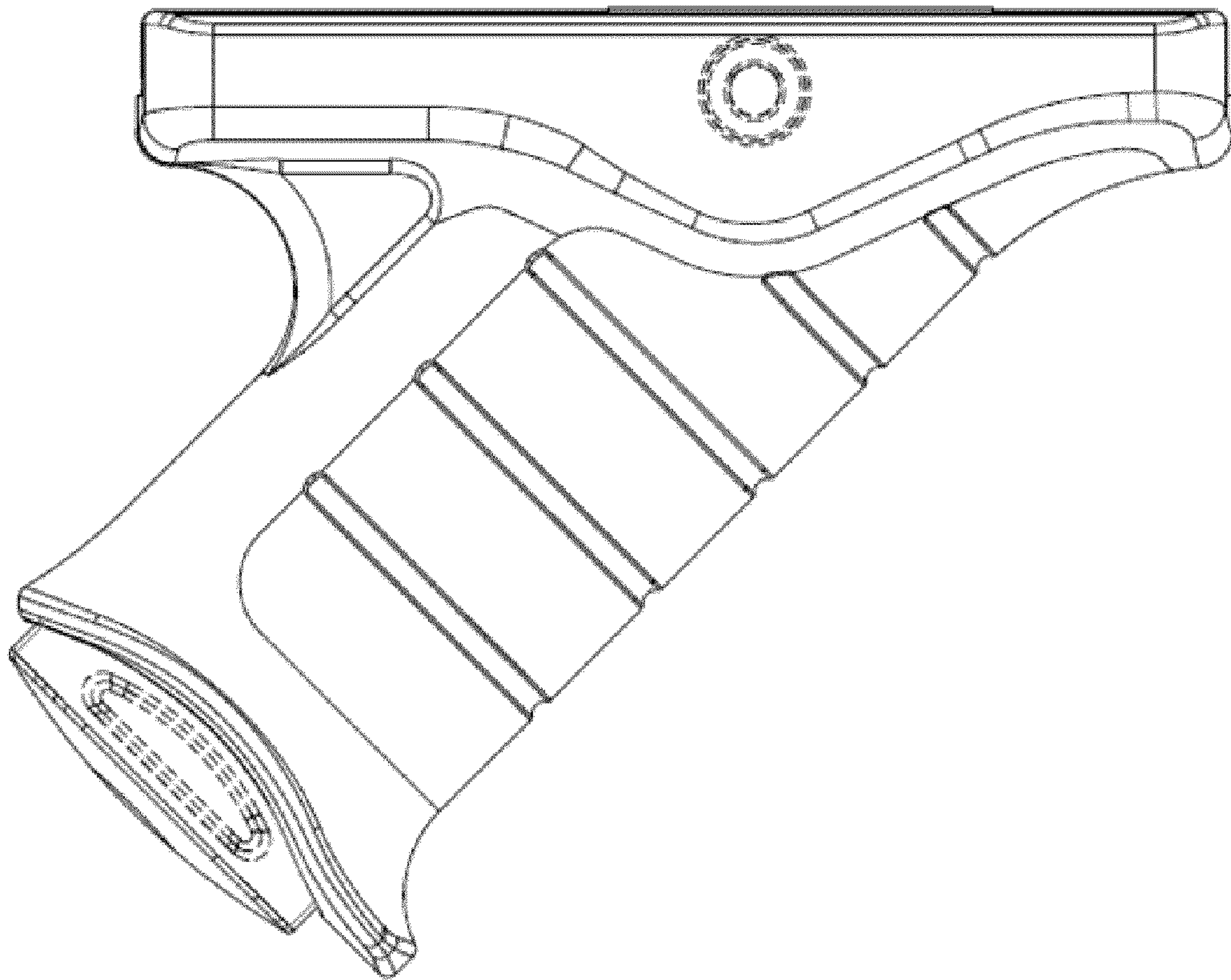


*Figure 12*



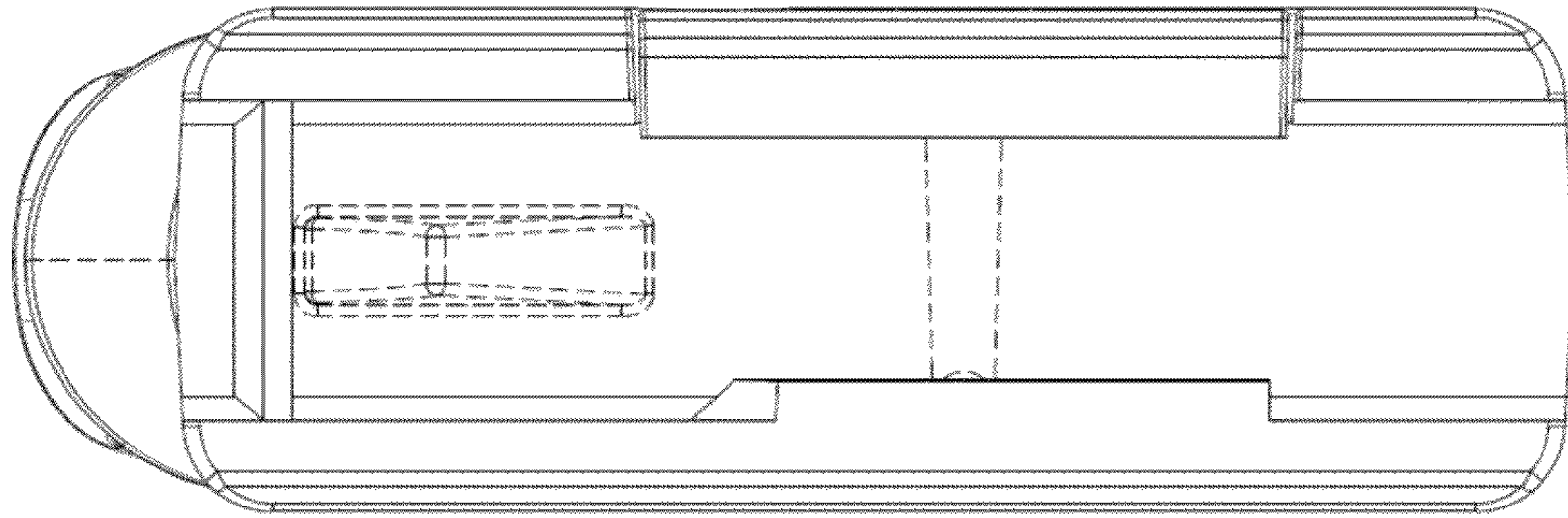


*Figure 13*

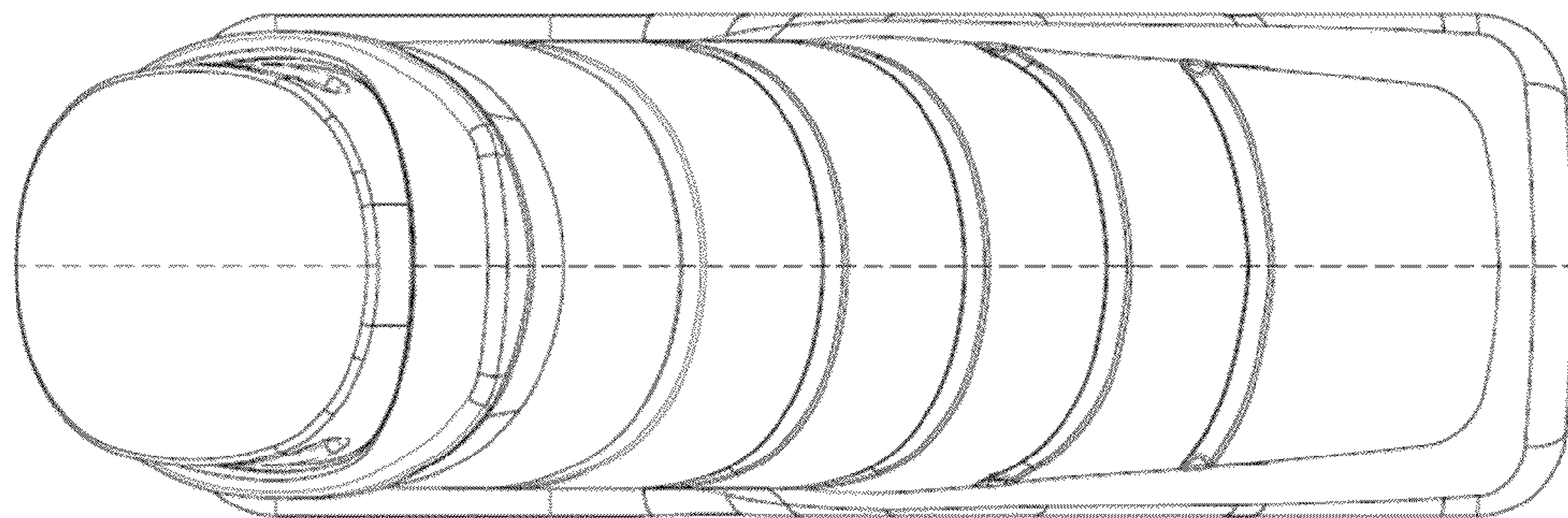


*Figure 14*

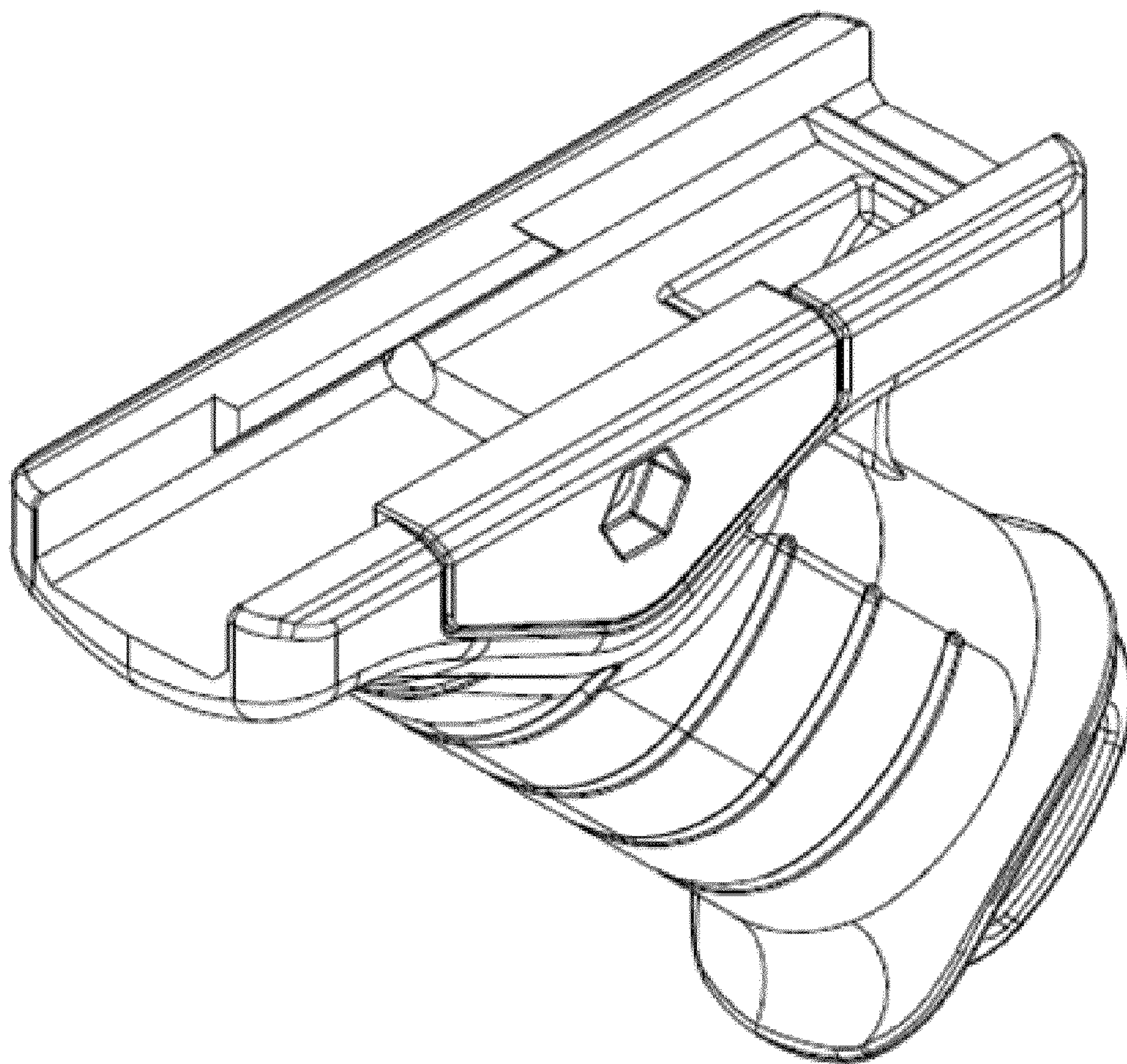




*Figure 15*

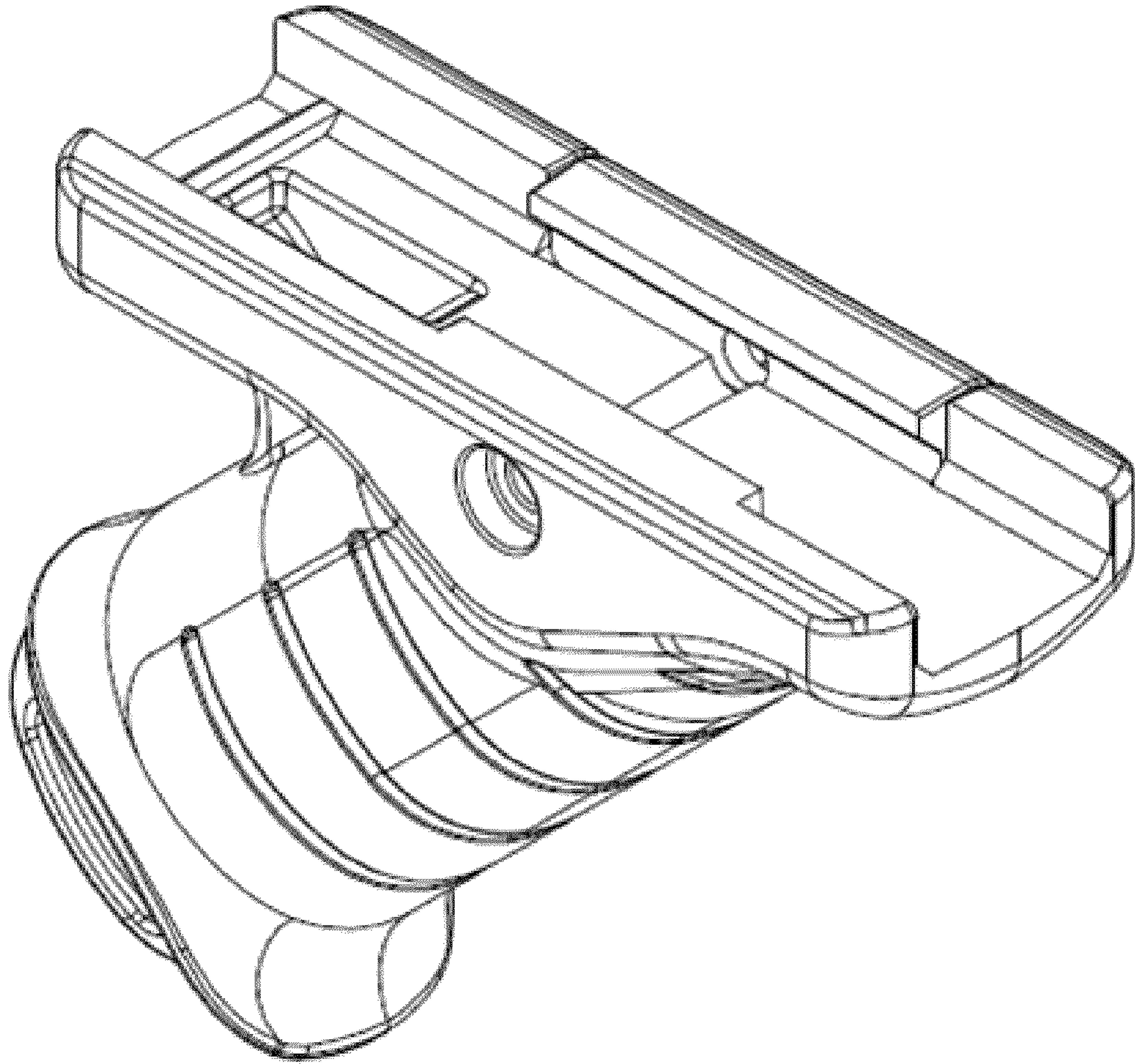


*Figure 16*

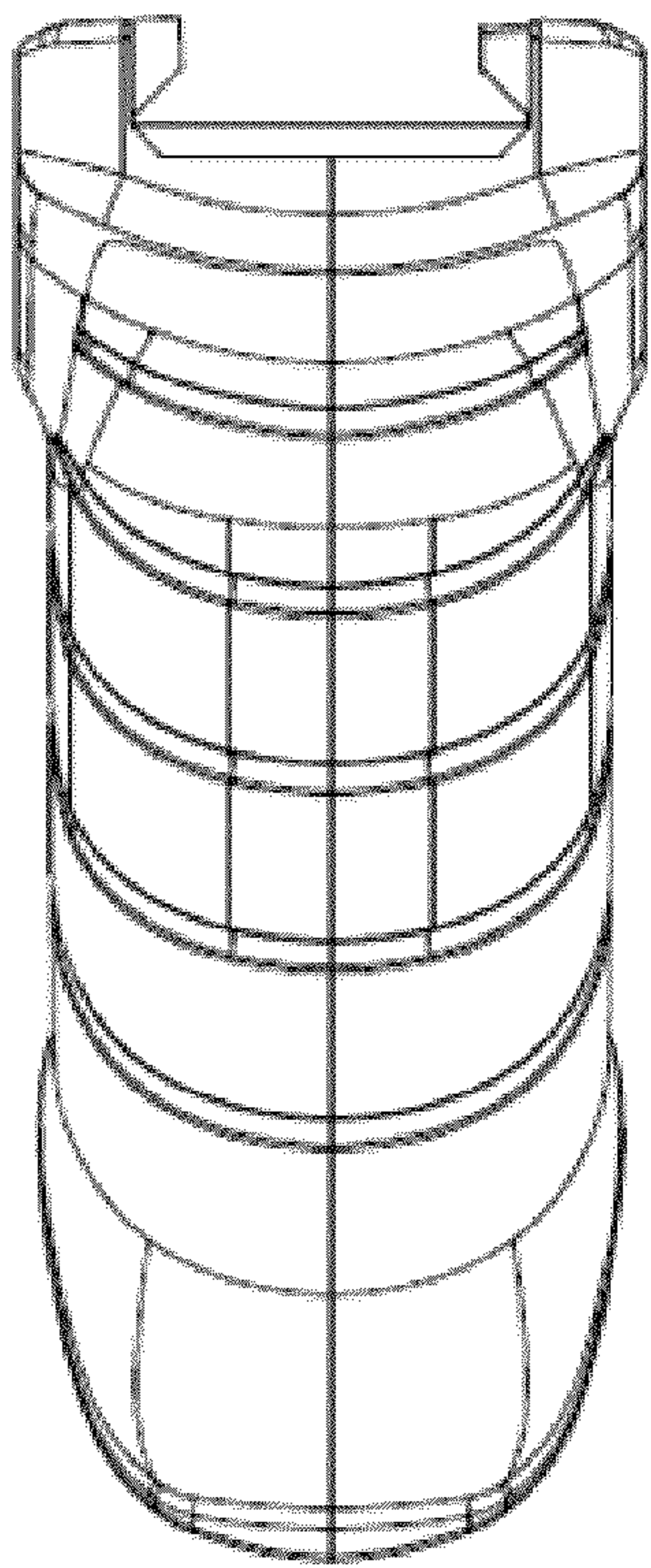


*Figure 17*

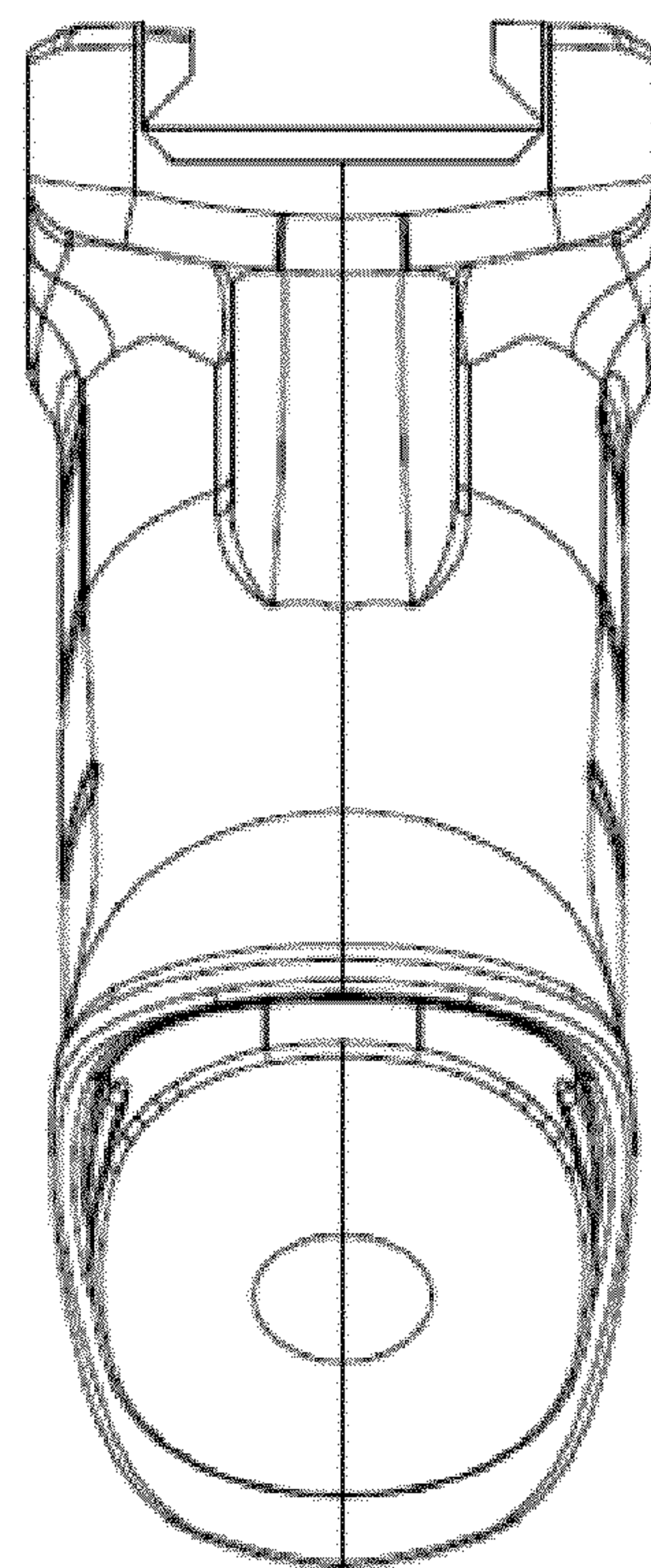




*Figure 18*

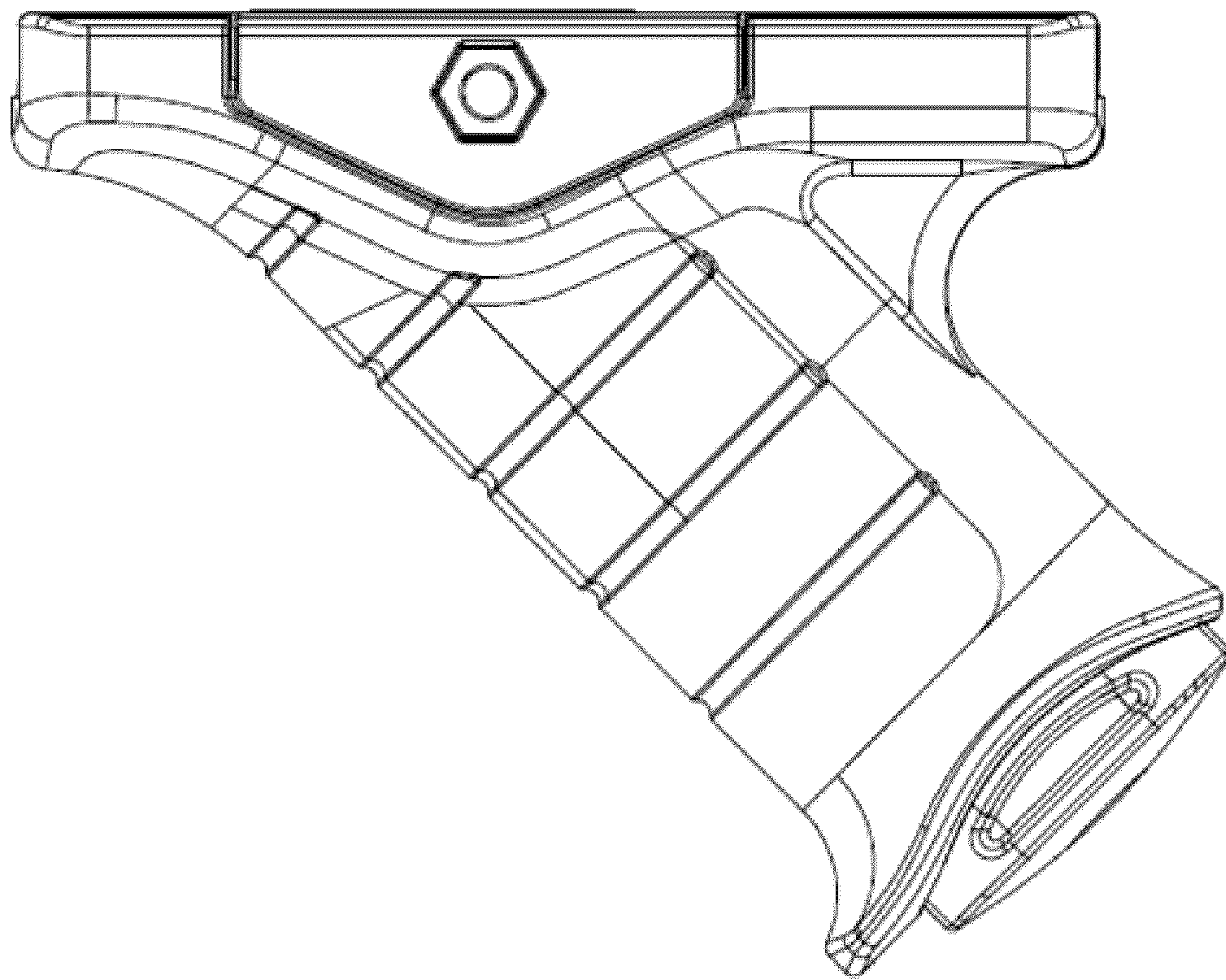


*Figure 19*

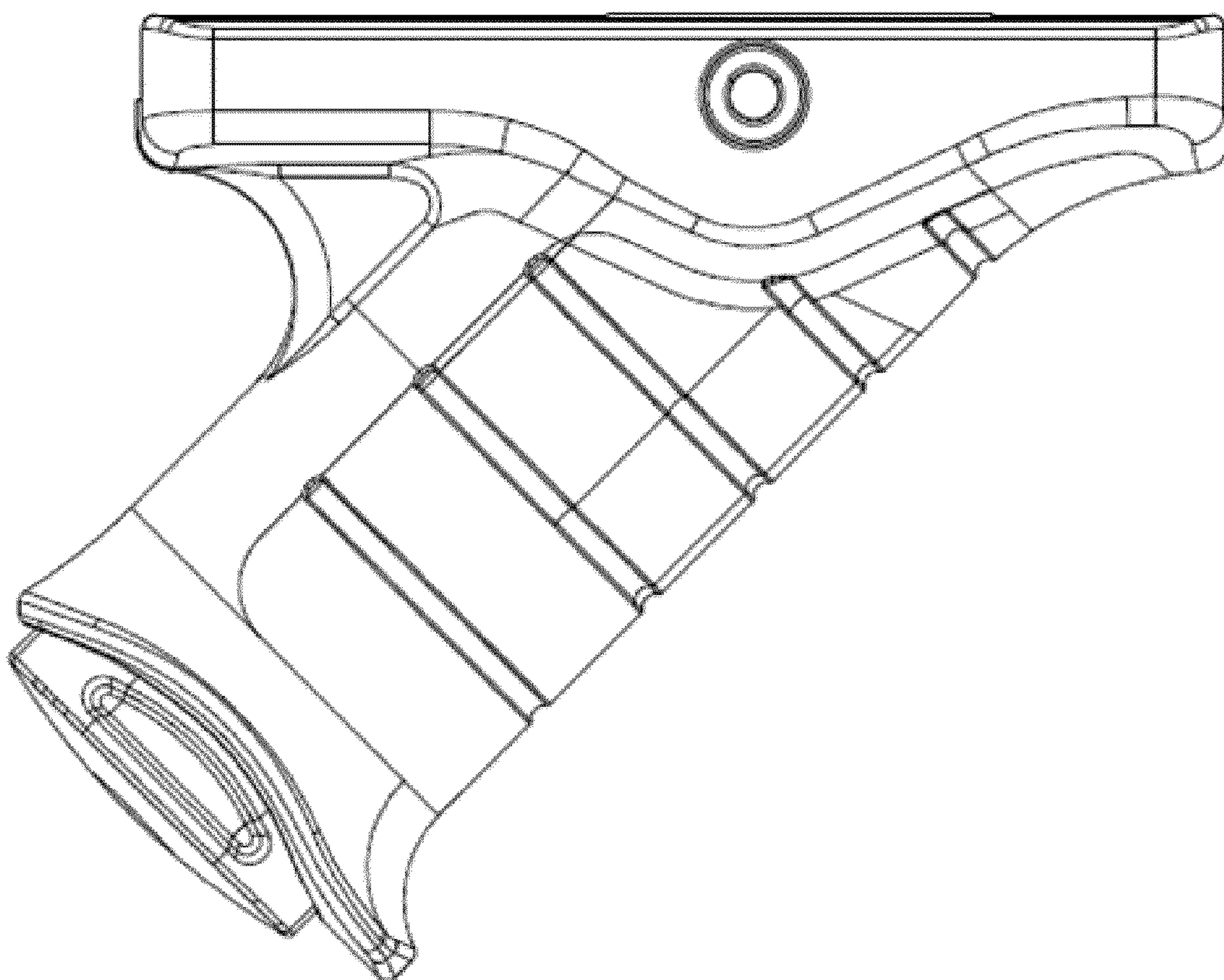


*Figure 20*



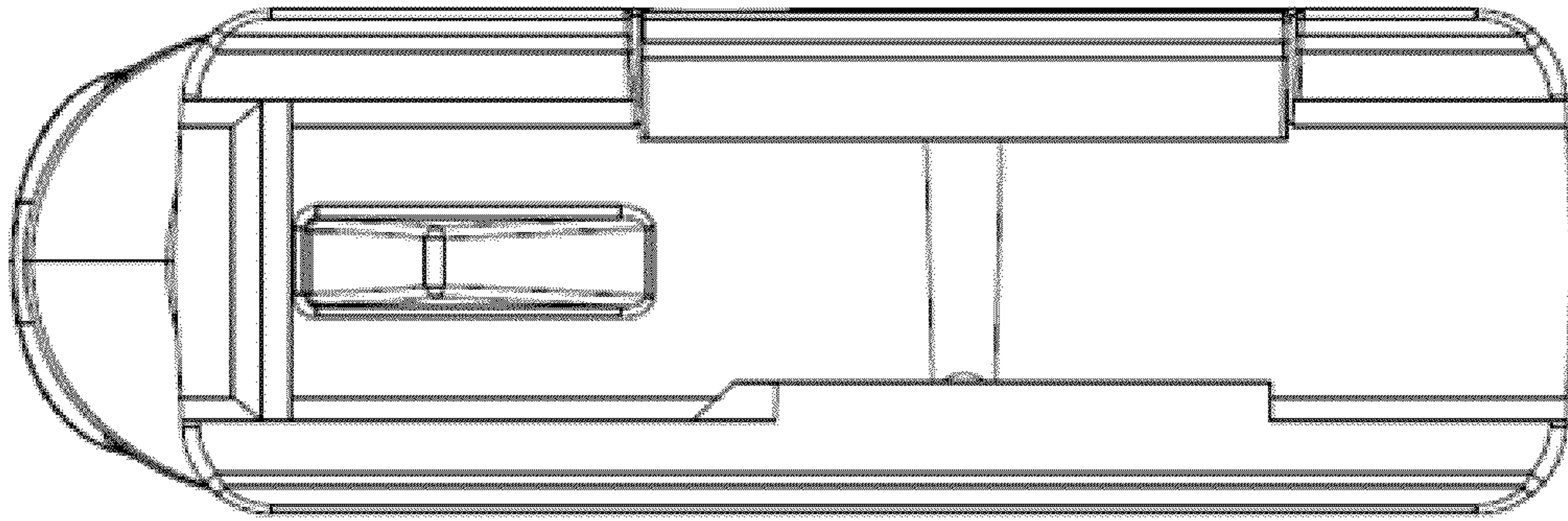


*Figure 21*

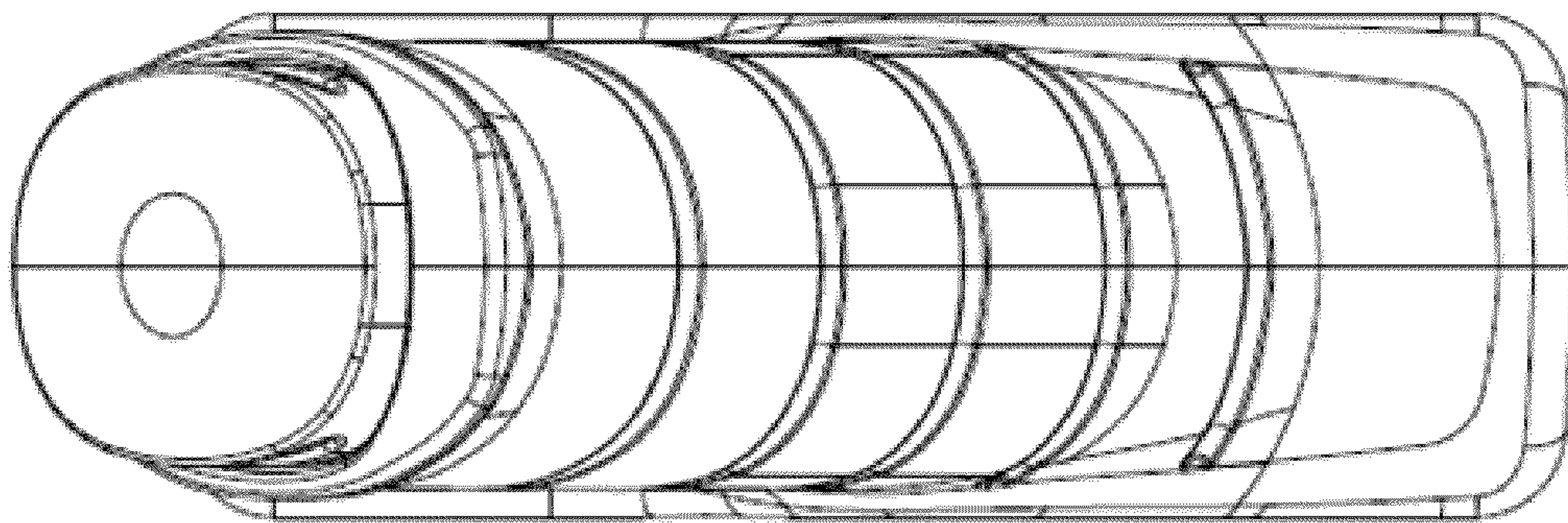


*Figure 22*





*Figure 23*



*Figure 24*