



US00D728053S

(12) **United States Design Patent**
Li

(10) **Patent No.:** **US D728,053 S**

(45) **Date of Patent:** **** Apr. 28, 2015**

(54) **TOY SLINGSHOT**

D353,182 S * 12/1994 Rubin D22/106
D360,672 S * 7/1995 Morton D22/106
D402,731 S * 12/1998 Mahan D22/106

(71) Applicant: **Shantou Top Toys Co., Ltd**, Shantou,
Guangdong (CN)

* cited by examiner

(72) Inventor: **Fengchao Li**, Guangdong (CN)

Primary Examiner — Michael A Pratt

(73) Assignee: **Shantou Top Toys Co., Ltd**, Shantou
(CN)

(57) **CLAIM**

The ornamental design for a toy slingshot, as shown and described.

(**) Term: **14 Years**

DESCRIPTION

(21) Appl. No.: **29/476,863**

FIG. 1 is a perspective view of a toy slingshot of my new design;

(22) Filed: **Dec. 18, 2013**

FIG. 2 is a perspective view of the toy slingshot shown in FIG. 1, with the toy slingshot being in use;

(51) **LOC (10) Cl.** **22-01**

(52) **U.S. Cl.**
USPC **D22/106**

FIG. 3 is a front elevation view of the toy slingshot shown in FIG. 1;

(58) **Field of Classification Search**
CPC F41B 3/00; F41B 3/005; F41B 3/02
USPC D22/106; 124/16-26
See application file for complete search history.

FIG. 4 is a rear elevation view of the toy slingshot shown in FIG. 1;

FIG. 5 is a left side view of the toy slingshot shown in FIG. 1;

FIG. 6 is a right side view of the toy slingshot shown in FIG. 1;

FIG. 7 is a top plan view of the toy slingshot shown in FIG. 1;

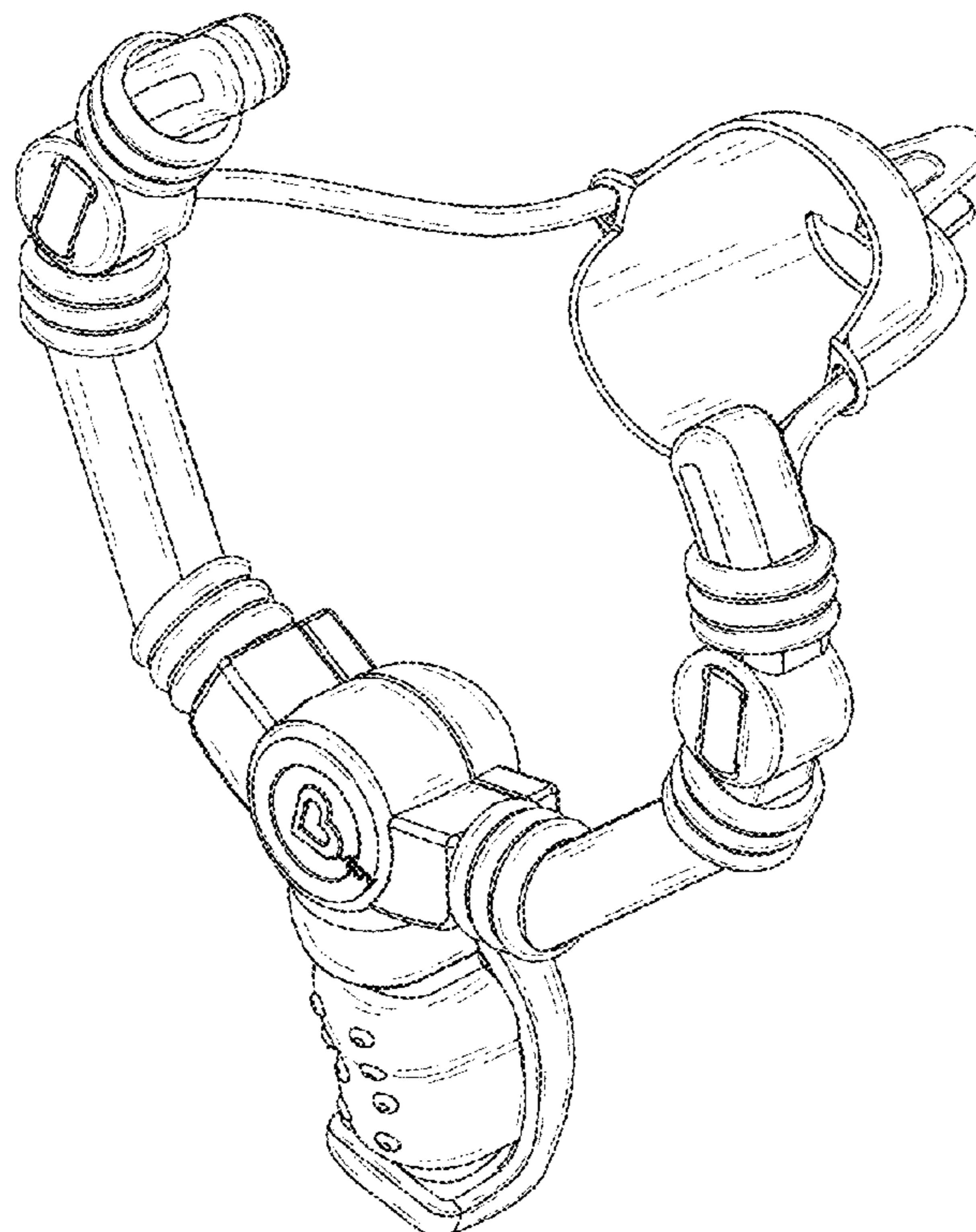
and,
FIG. 8 is a bottom plan view of the toy slingshot shown in FIG. 1.

(56) **References Cited**

U.S. PATENT DOCUMENTS

3,018,770 A * 1/1962 Saunders 124/20.3
4,273,094 A * 6/1981 Hogan 124/20.1
D352,337 S * 11/1994 Nagel et al. D22/106

1 Claim, 7 Drawing Sheets



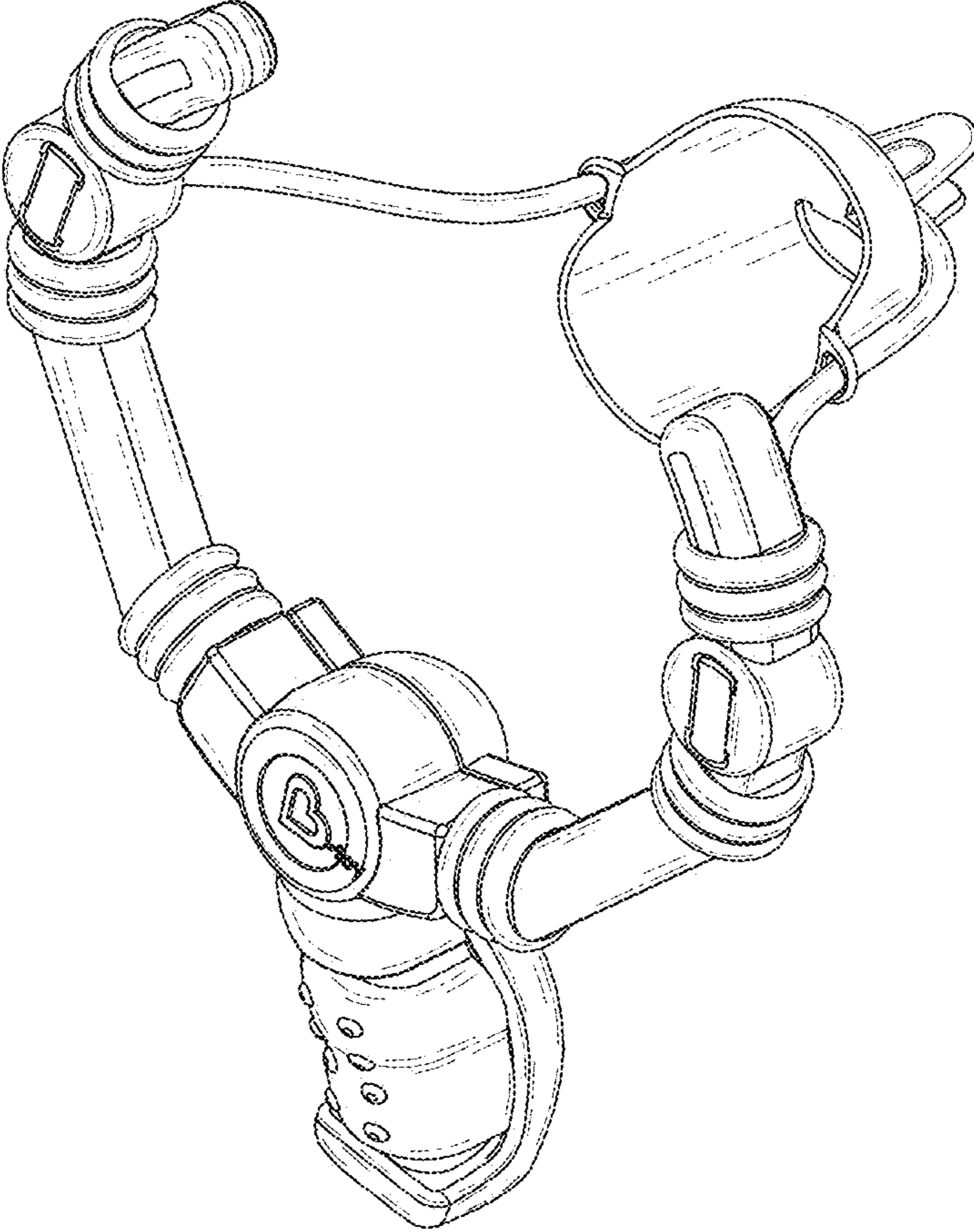


FIG.1

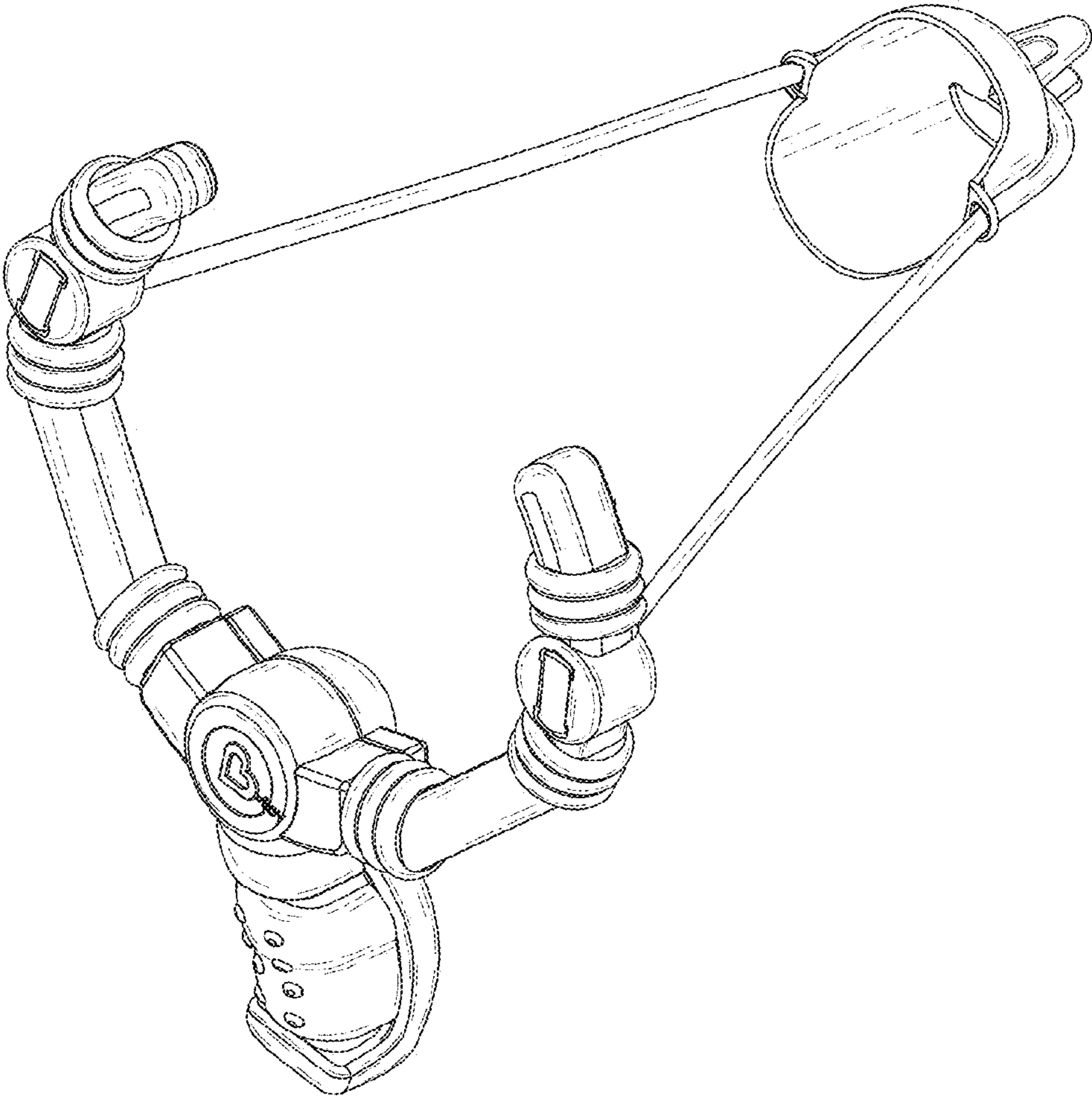


FIG.2

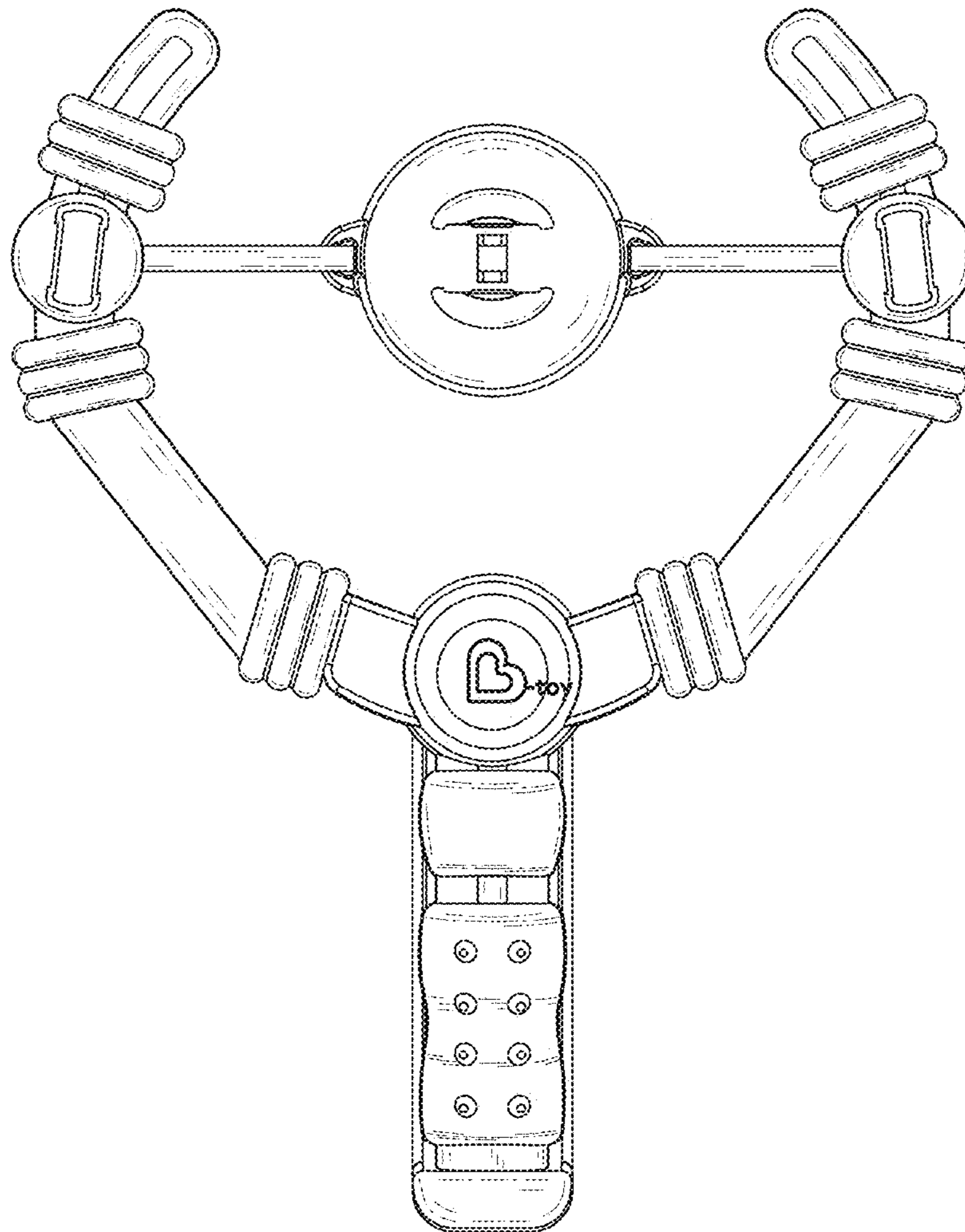


FIG.3

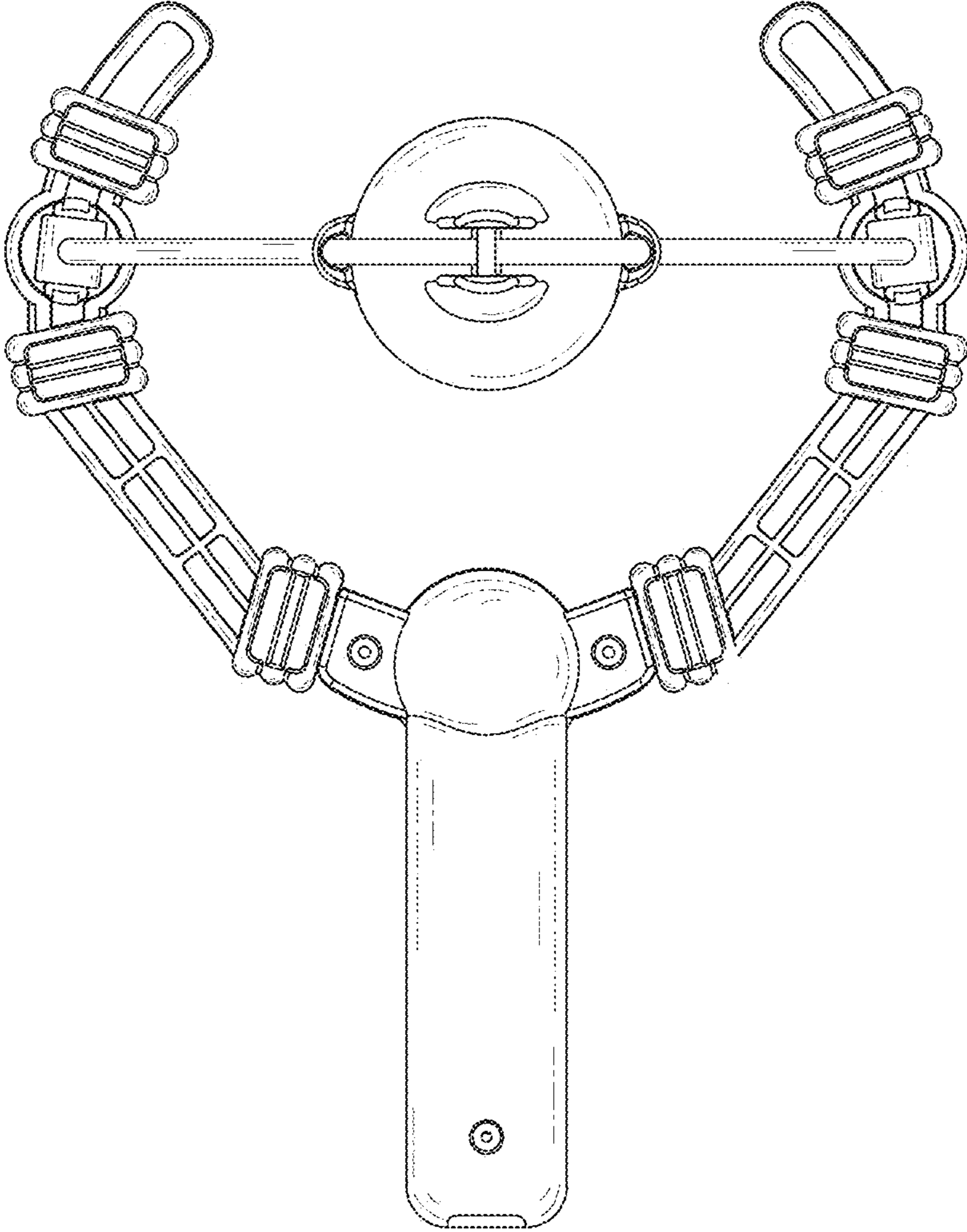


FIG.4

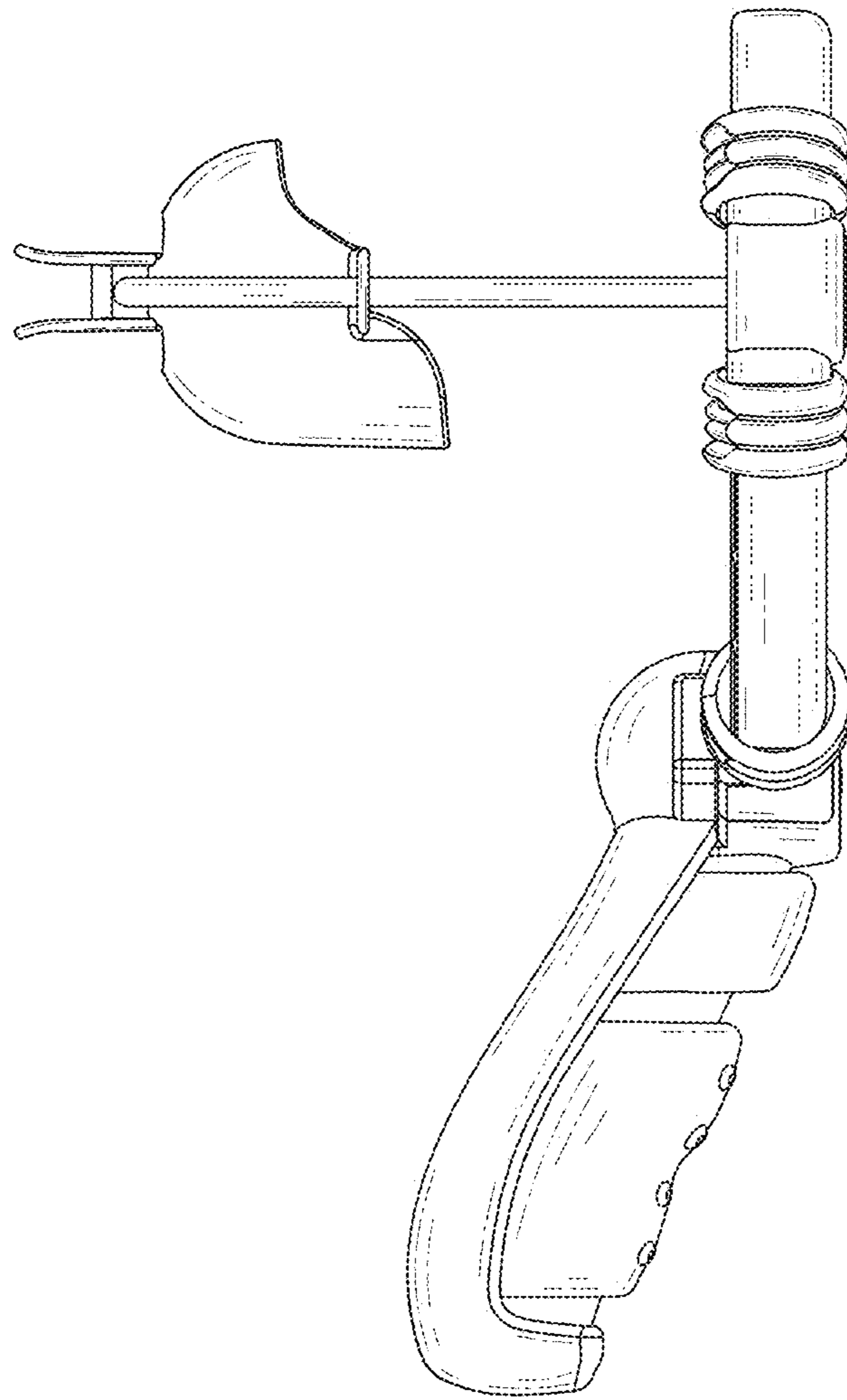


FIG.5

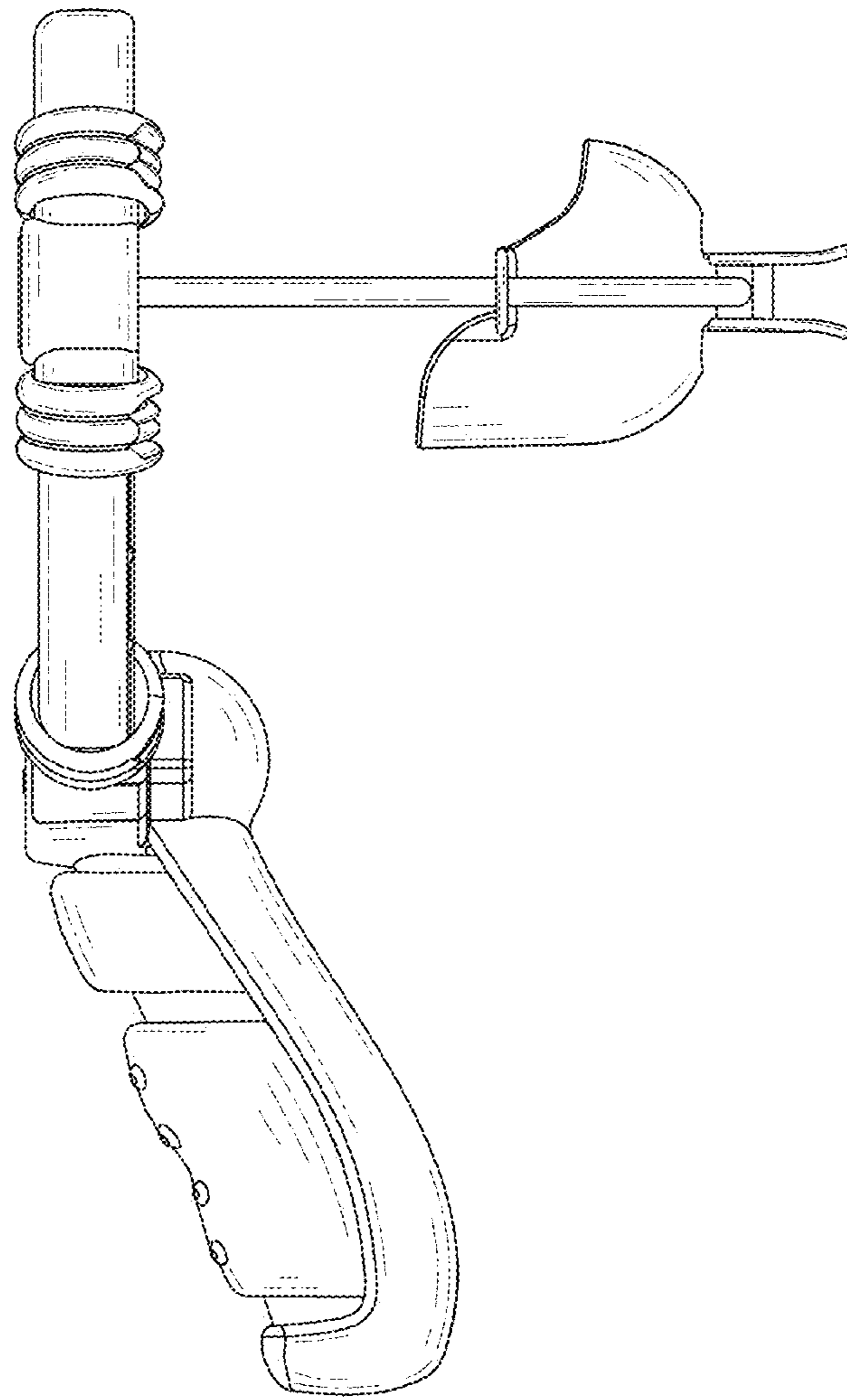


FIG.6

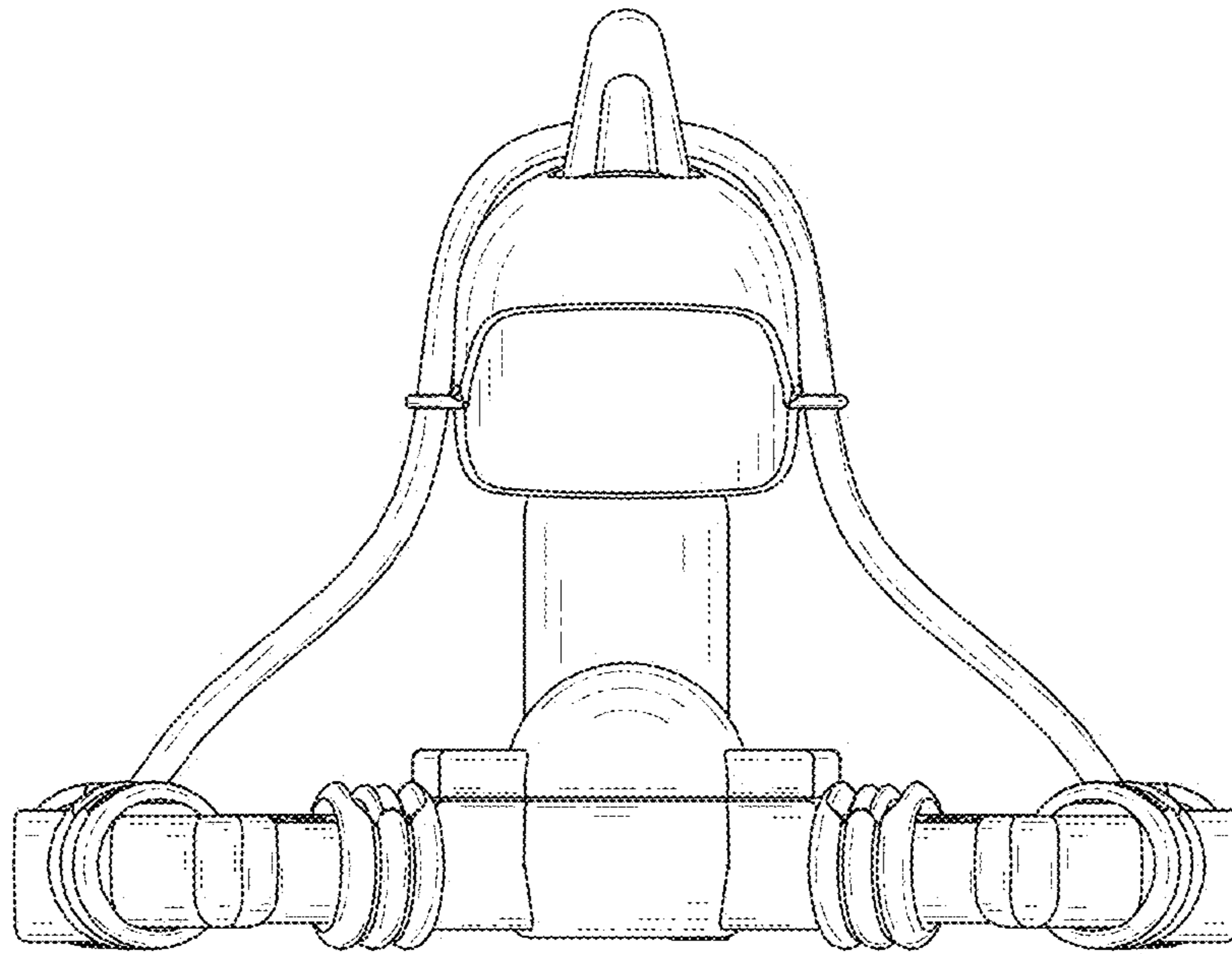


FIG. 7

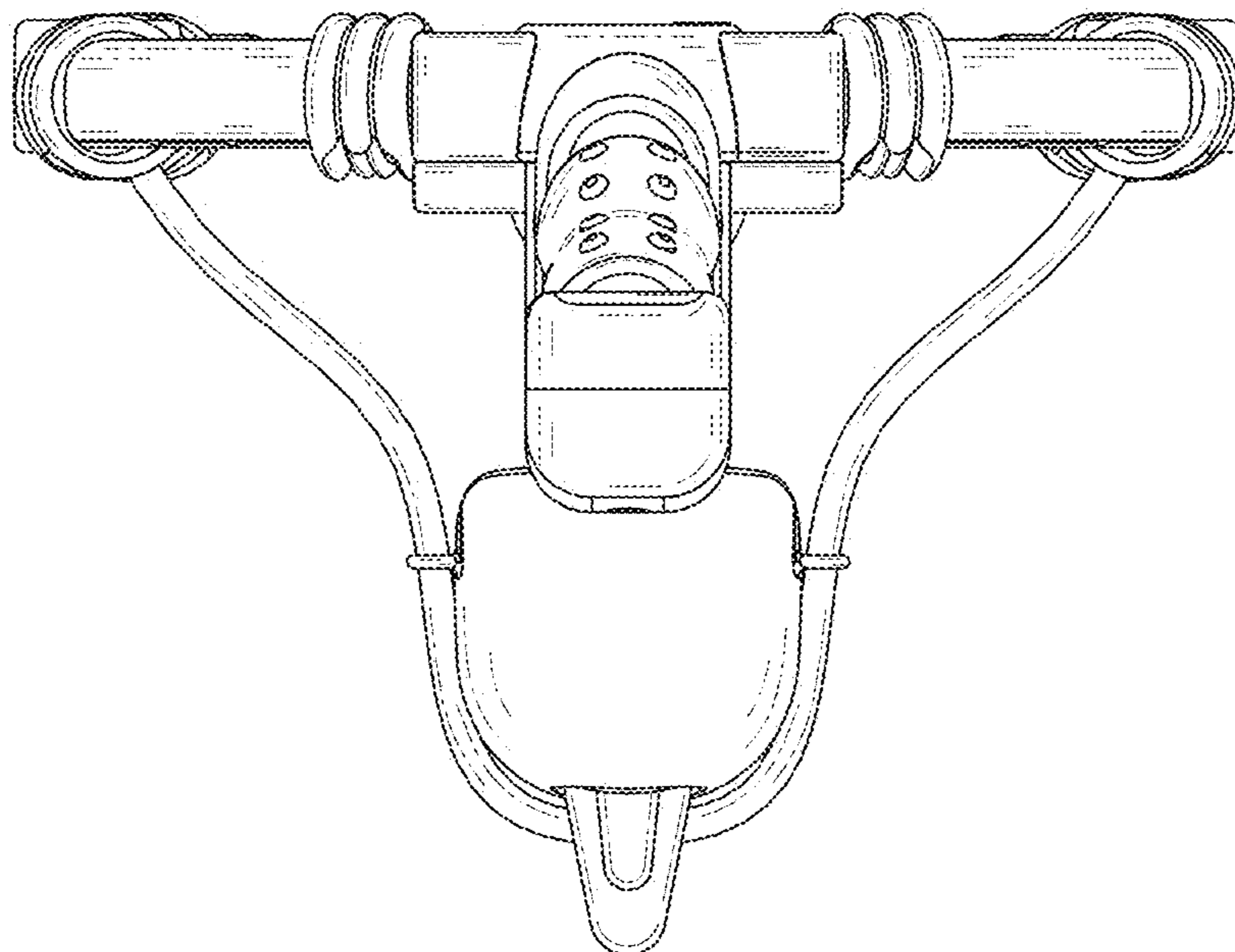


FIG. 8