



US00D728052S

(12) **United States Design Patent**  
**Smith et al.**

(10) **Patent No.:** **US D728,052 S**  
(45) **Date of Patent:** **\*\* Apr. 28, 2015**

(54) **LIMBO DEVICE**

(71) Applicants: **Robert Smith**, Spicewood, TX (US);  
**Tyler Livesay**, Spicewood, TX (US)

(72) Inventors: **Robert Smith**, Spicewood, TX (US);  
**Tyler Livesay**, Spicewood, TX (US)

(\*\*) Term: **14 Years**

(21) Appl. No.: **29/480,950**

(22) Filed: **Jan. 30, 2014**

(51) **LOC (10) Cl.** ..... **21-03**

(52) **U.S. Cl.**  
USPC ..... **D21/811**

(58) **Field of Classification Search**  
USPC ..... D21/800, 811, 814, 826; 482/14-17;  
273/444, 449  
See application file for complete search history.

(56) **References Cited**

**U.S. PATENT DOCUMENTS**

3,294,400	A *	12/1966	Goldstein	.....	273/449
3,801,096	A *	4/1974	Miller	.....	273/449
5,005,828	A *	4/1991	Sauerbrey	.....	482/17
5,120,077	A *	6/1992	Belli	.....	273/444
D334,044	S *	3/1993	Lopatin	.....	D21/811
5,622,370	A *	4/1997	D'Andrade	.....	273/449
D381,057	S *	7/1997	Strawcutter et al.	.....	D21/814
6,854,734	B1 *	2/2005	Benjamin	.....	273/449
D651,677	S *	1/2012	Shannon	.....	D21/811
8,240,618	B1	8/2012	Luetzow		
8,297,557	B1	10/2012	Anderson		
8,308,393	B2	11/2012	Jetté		
D675,275	S *	1/2013	Hunter	.....	D21/811
D707,775	S *	6/2014	May	.....	D21/800

**FOREIGN PATENT DOCUMENTS**

WO WO2008051711 11/2008

**OTHER PUBLICATIONS**

Caltrax Clip; Brochure; 2 pages; Magnetic Autocontrol; Rockledge, FL, U.S.A.; <http://www.barriergateoperator.com/catraxclipdatasheet.pdf>.

Dexter Johnson; British Game Show Reviews: "Red Or Black" Review; The Blog Is Right: Game Show Reviews and More!; Blog; Sep. 10, 2011; 4 pages; <http://theblogisright.blogspot.com/2011/09/red-or-black-review.html>.

Wnymba Fest MMX Bike Limbo Contest; 1 page; velocipedjones; <http://www.youtube.com/watch?v=cmY69pGx88o>.

(Continued)

*Primary Examiner* — Mitchell Siegel

(74) *Attorney, Agent, or Firm* — Marc E. Hankin; Hankin Patent Law, APC; Jimmy Sauz

(57) **CLAIM**

The ornamental design for a limbo device, as shown and described.

**DESCRIPTION**

FIG. 1 is a top perspective view of a first embodiment of a limbo device showing my new design.

FIG. 2 is a bottom perspective view thereof.

FIG. 3 is a front elevational view thereof.

FIG. 4 is a rear elevational view thereof.

FIG. 5 is a bottom elevational view thereof.

FIG. 6 is a top elevational view thereof.

FIG. 7 is a left side elevational view thereof.

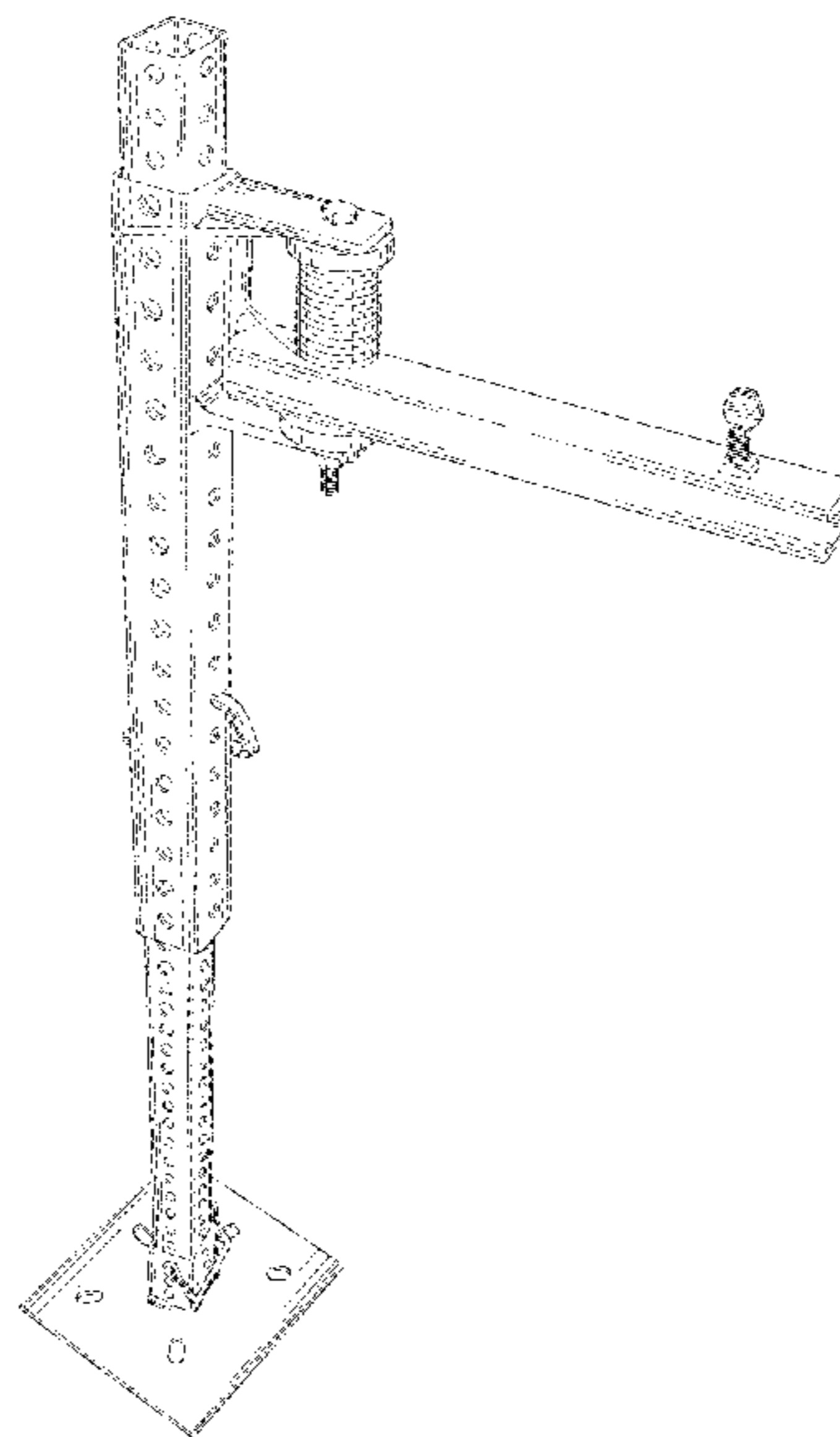
FIG. 8 is a right side elevational view thereof.

FIG. 9 is a top perspective view of the limbo device, the broken line showing of the base and limbo bar are for illustrative purposes only and form no part of the claim design.

FIG. 10 is a front elevational view of a second embodiment of the limbo device of my new design; and,

FIG. 11 is a top perspective view thereof.

**1 Claim, 11 Drawing Sheets**



(56)

**References Cited**

OTHER PUBLICATIONS

Moto Limbo Pictures & Images; 1 page; <http://photobucket.com/images/Moto+Limbo/?page=1>.

Motocross Limbo; 1 page; wendling00; <http://www.youtube.com/watch?v=7ISGNGkdmBs>.

Top Gear Live London 2011 (Motorcycle Limbo); 1 page; mattyl18; <http://www.youtube.com/watch?v=V4c98Qu6sME>.

Qlee; Railroad Crossing Gate; 3 pages; TurboSquid; <http://www.turbosquid.com/3d-models/railroad-crossing-gate-3dmodel/501132>.

Chris Farling; The Turnstile Limbo; May 1, 2011; 4 pages; <http://www.flickr.com/photos/crfarling/6305349110/>.

CSG Gate; [http://www.turnstiles2go.com/\\_borders/CSG%20Gate.jpg](http://www.turnstiles2go.com/_borders/CSG%20Gate.jpg).

\* cited by examiner

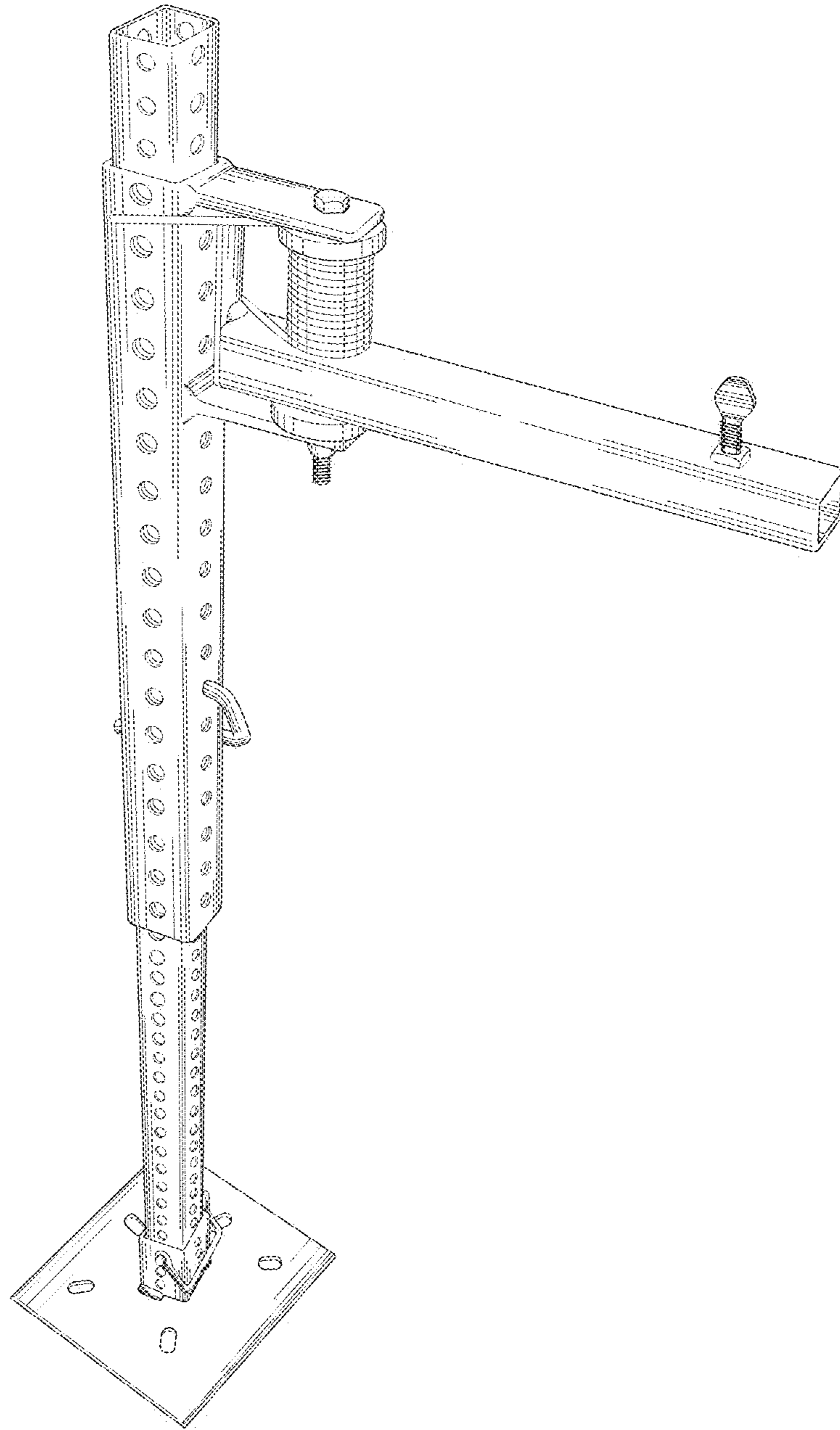


Fig. 1

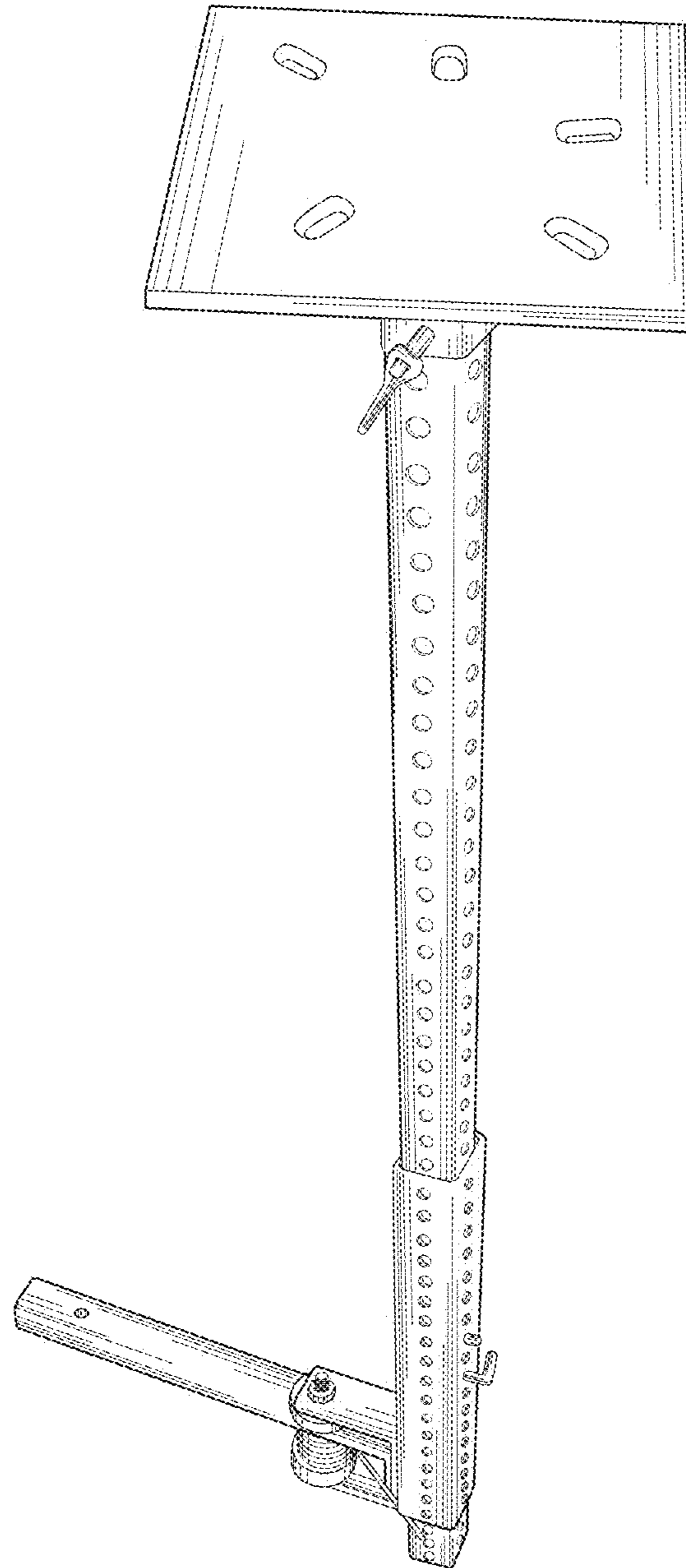


Fig.2

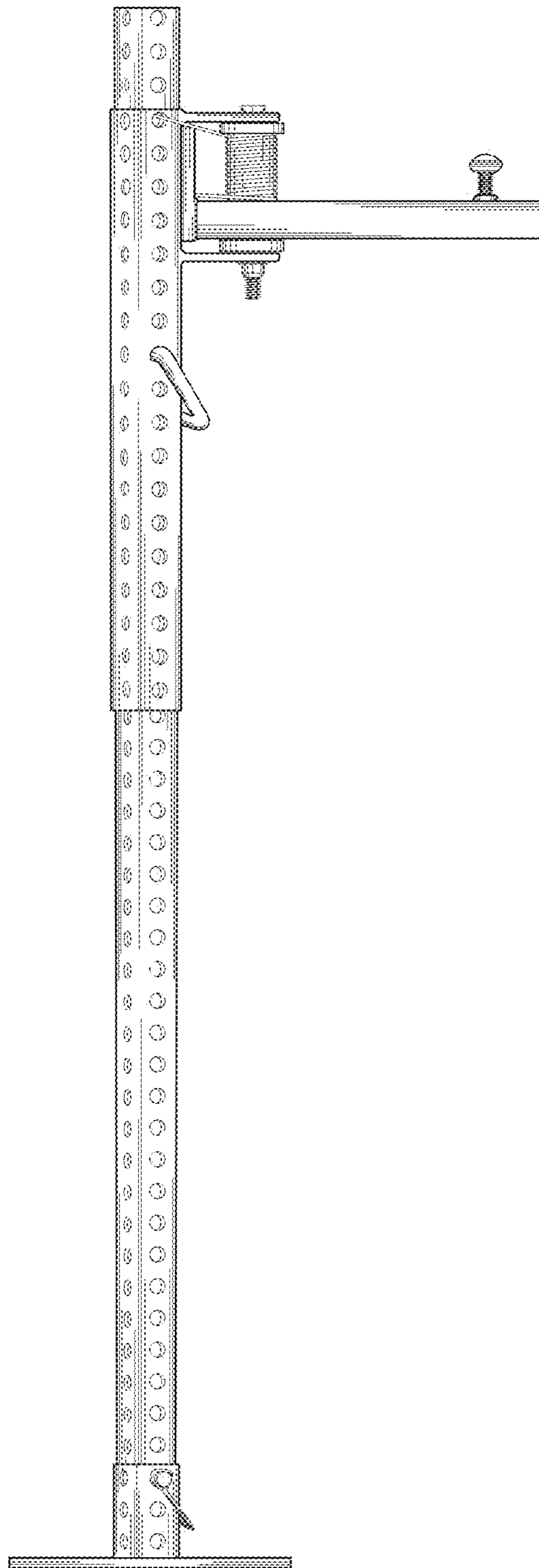


Fig. 3



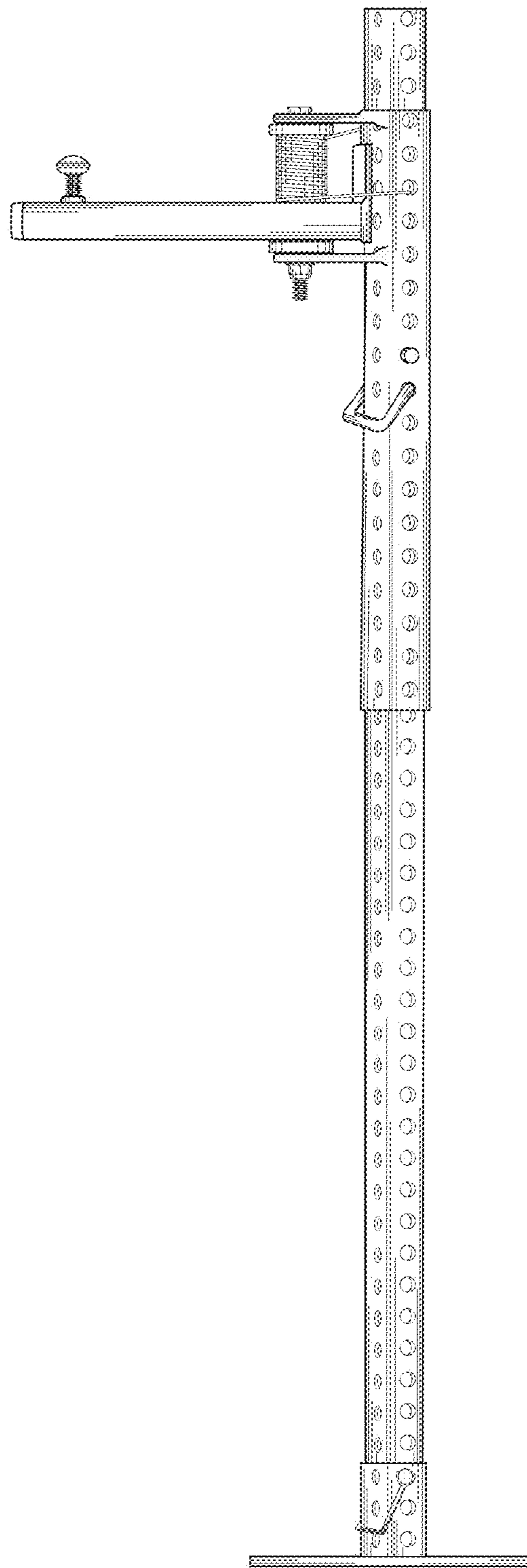


Fig.4

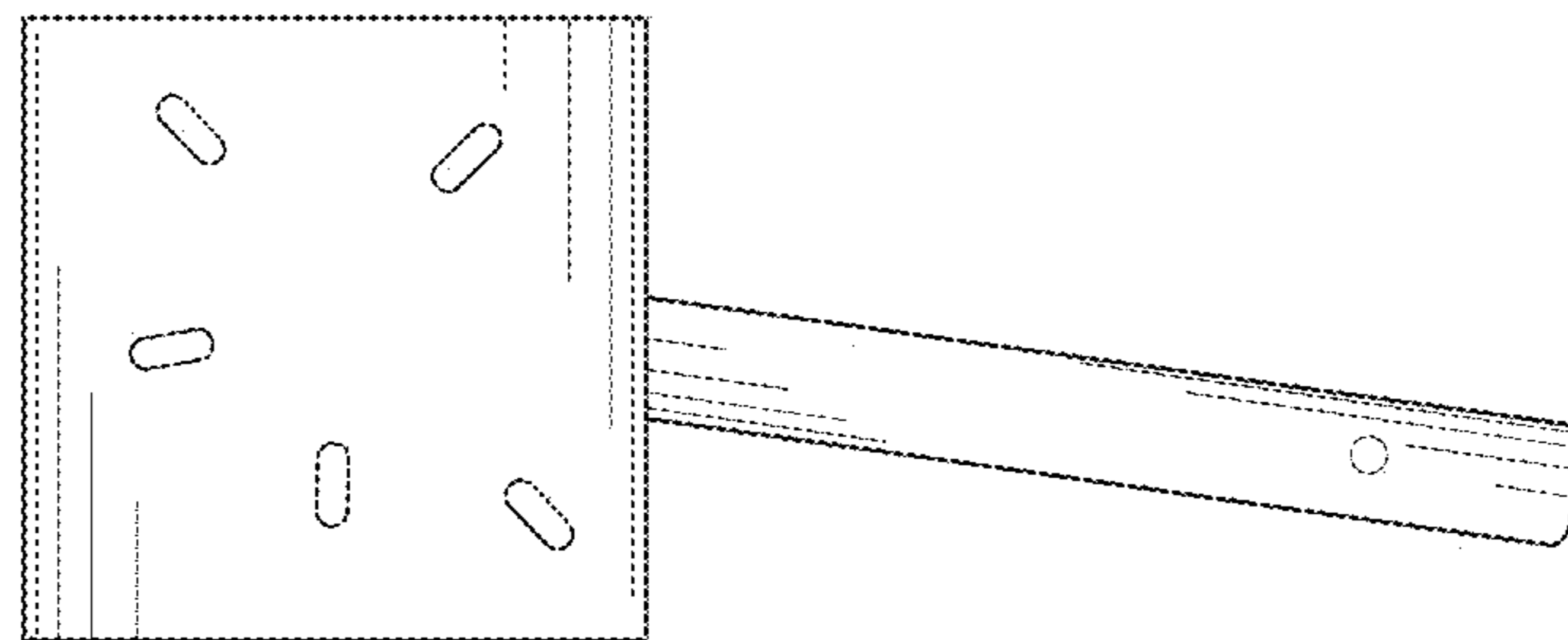


Fig.5

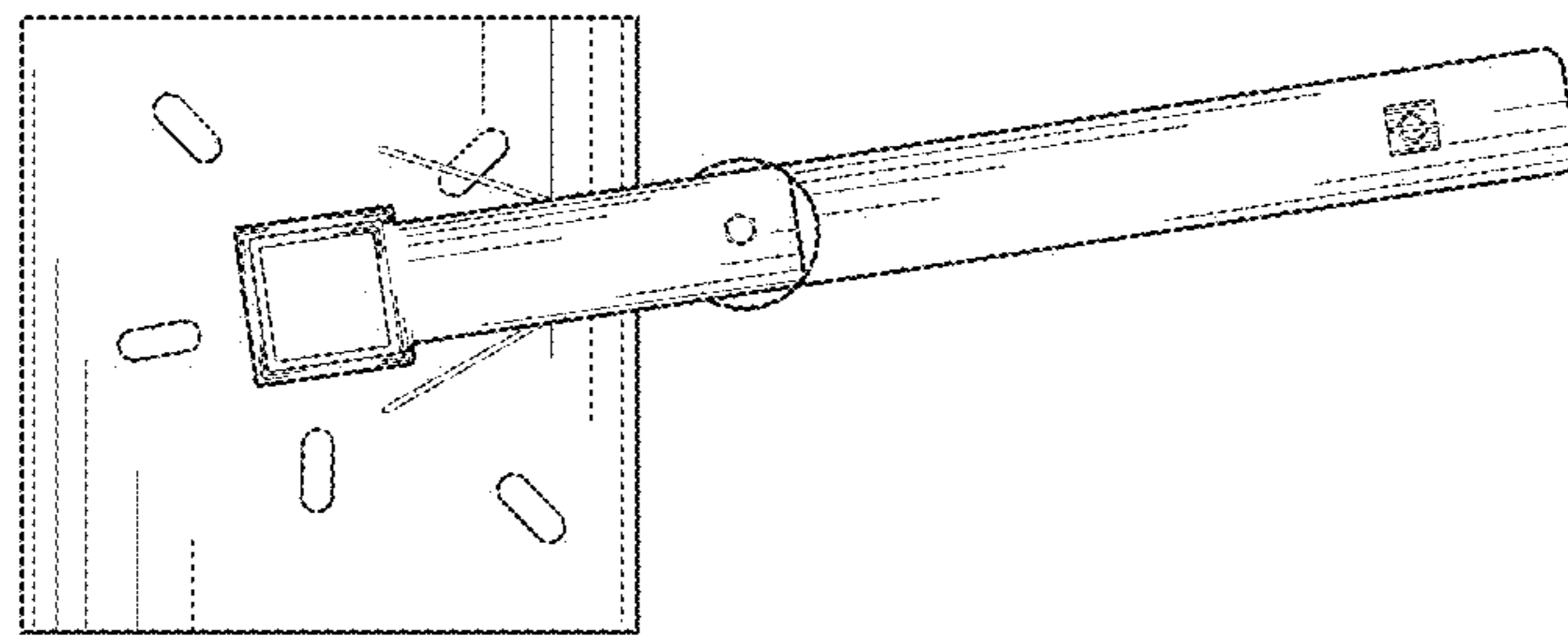


Fig.6



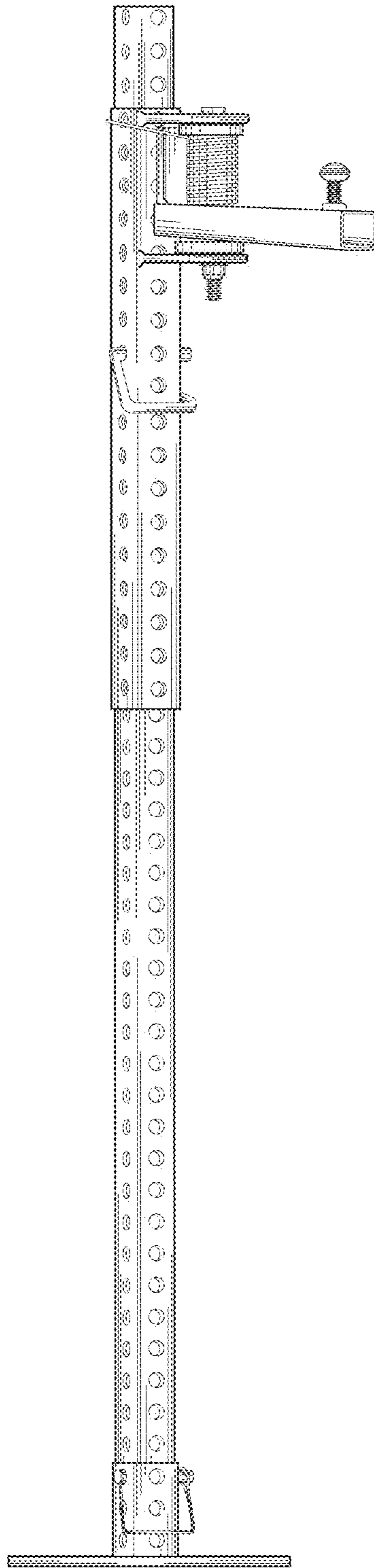


Fig. 7

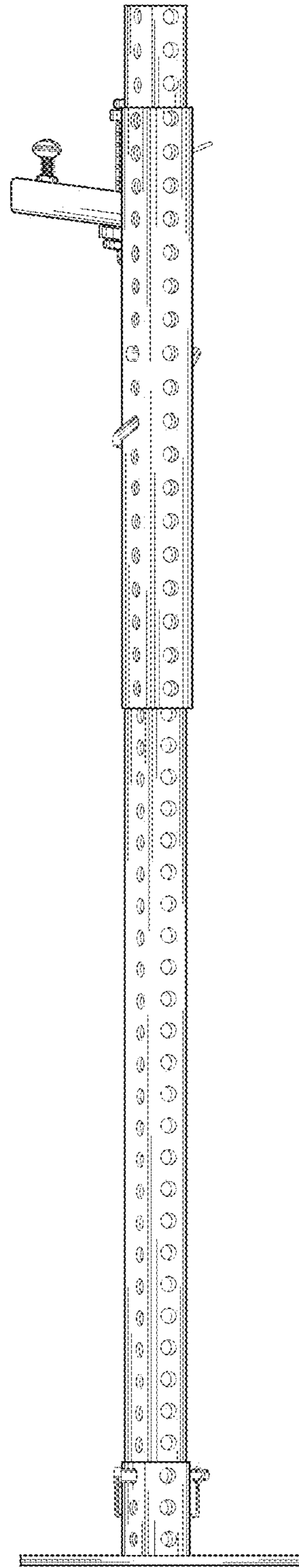


Fig. 8

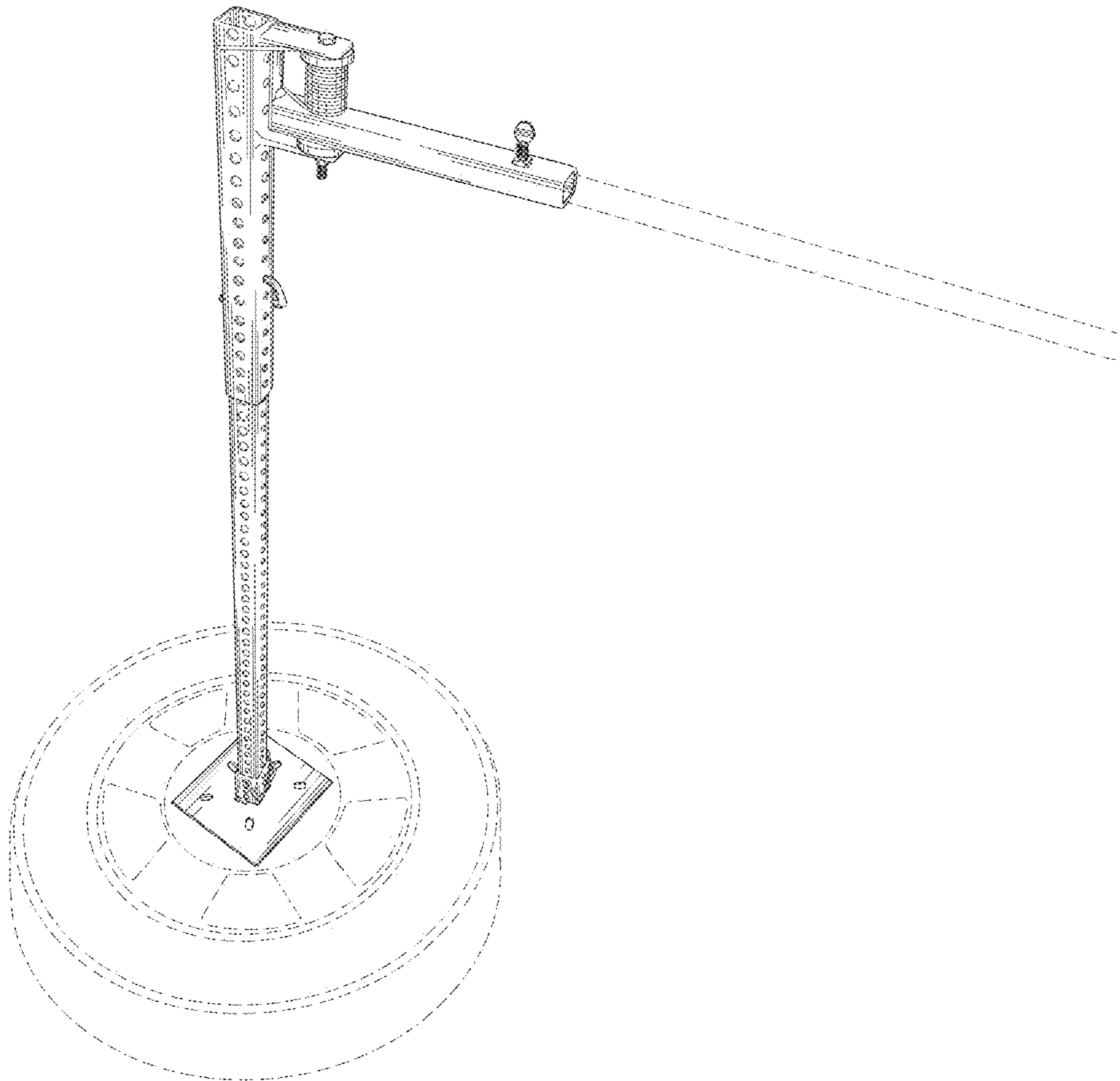


Fig.9

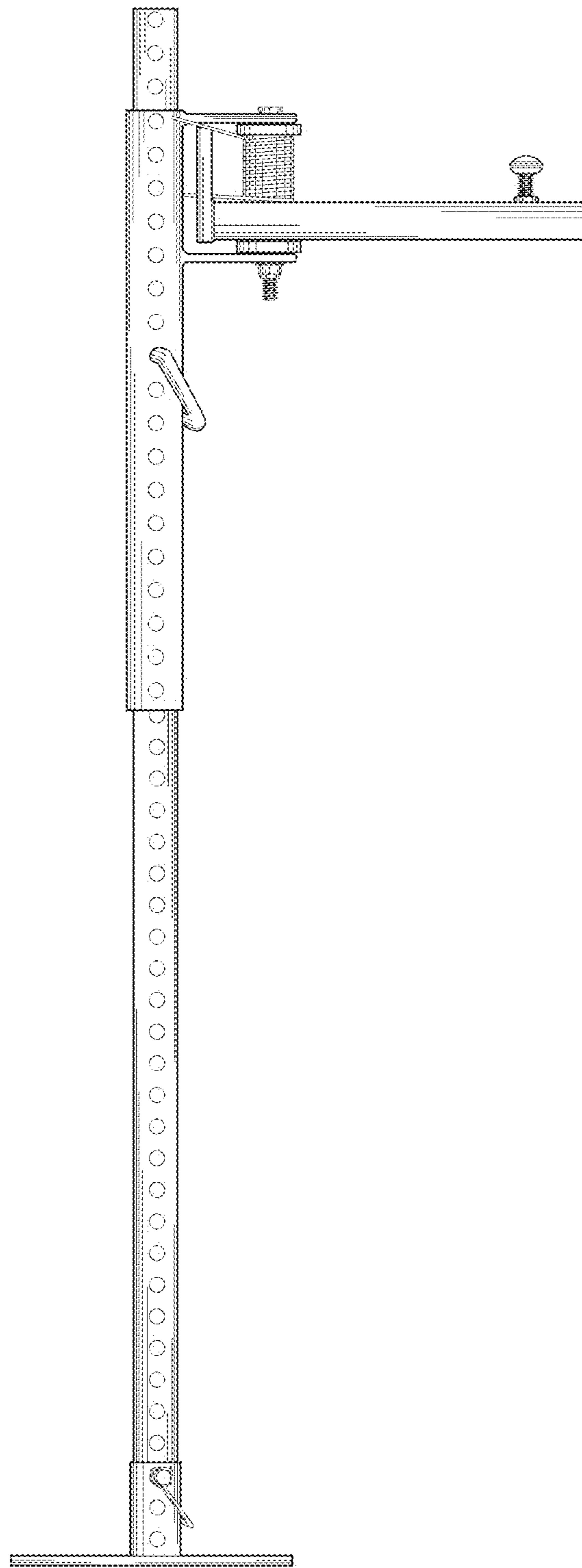


Fig. 10

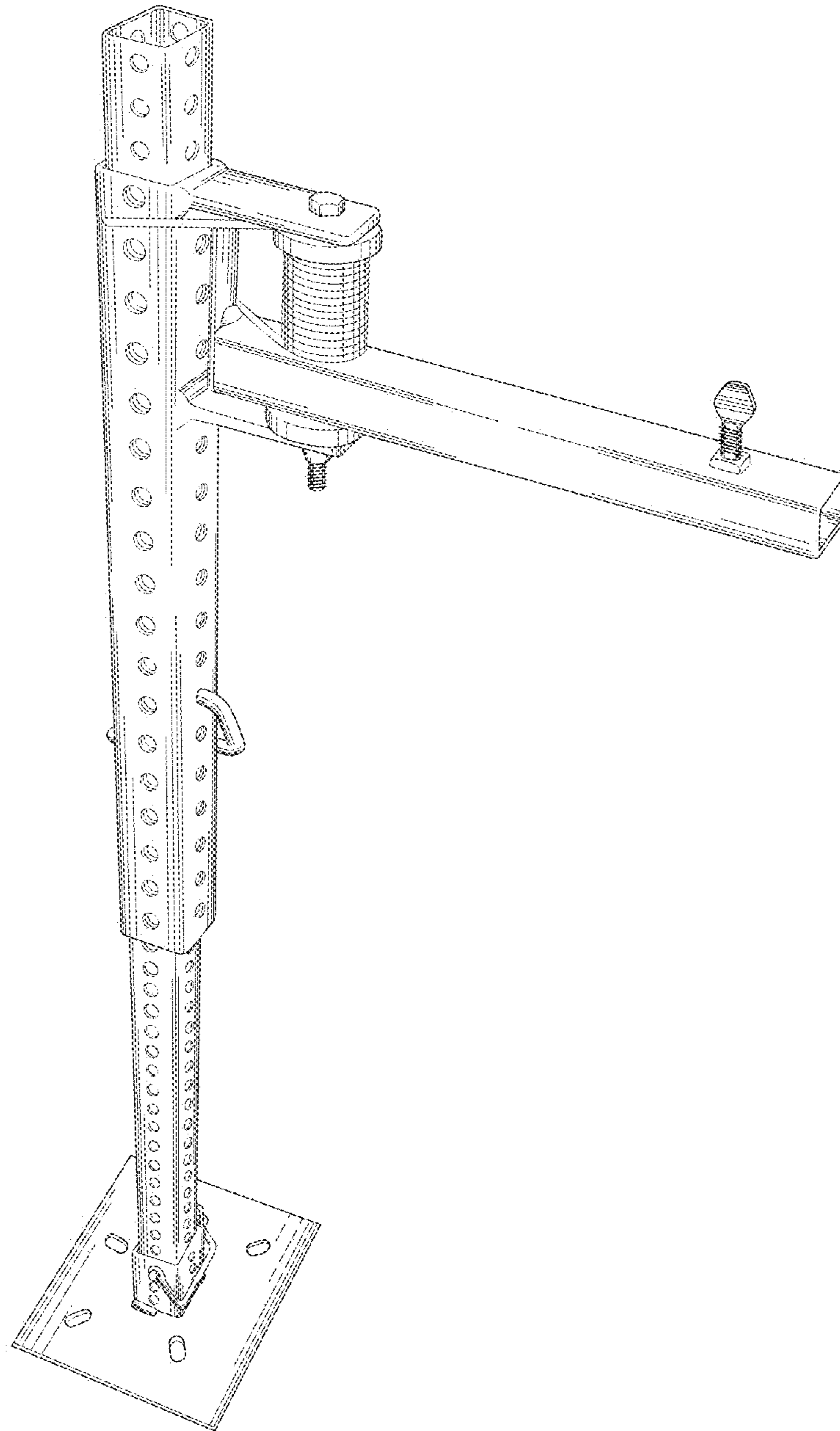


Fig. 11