



US00D728051S

(12) **United States Design Patent**
Rhind et al.

(10) **Patent No.:** **US D728,051 S**
(45) **Date of Patent:** **** Apr. 28, 2015**

(54) **PERSONAL FLOTATION DEVICE**
(71) Applicant: **Mustang Survival ULC**, Burnaby (CA)
(72) Inventors: **Jared Rhind**, Vancouver (CA); **James Friedrich**, Vancouver (CA); **Mark Anderson**, Burnaby (CA); **Hobey Walker**, Bowen Island (CA)
(73) Assignee: **Mustang Survival ULC**, Burnaby (CA)

(**) Term: **14 Years**

(21) Appl. No.: **29/490,400**

(22) Filed: **May 9, 2014**

(51) **LOC (10) Cl.** **29-02**

(52) **U.S. Cl.**
USPC **D21/805**

(58) **Field of Classification Search**
CPC B63C 9/115
USPC D21/804, 805; D29/100, 101.1, 101, 4;
2/456, 458, 467, 463; 441/88, 89, 106,
441/108, 111, 114–117
See application file for complete search history.

(56) **References Cited**

U.S. PATENT DOCUMENTS

D234,792 S *	4/1975	Olink	D21/805
D234,793 S *	4/1975	Olink	D21/805
D245,882 S	9/1977	Siddons	
D279,701 S *	7/1985	Evert	D21/805
D294,515 S	3/1988	Gercken	
D298,680 S	11/1988	Chou	
D309,491 S	7/1990	Martin	
D328,938 S	8/1992	Askew	
D350,326 S	9/1994	Griffin	
D361,115 S *	8/1995	Lucius	D21/805
D373,168 S	8/1996	Kahn	
D379,396 S	5/1997	Rongo et al.	
D388,493 S	12/1997	Summers	
D410,132 S	5/1999	Hottenroth	
D410,987 S	6/1999	Lucius	

D416,358 S	11/1999	Williams et al.	
D422,665 S	4/2000	Steger	
D422,666 S *	4/2000	Wagner	D21/805
D423,622 S	4/2000	Wagner	
D424,153 S	5/2000	Shaffer	
D427,269 S	6/2000	Biesecker	
D430,396 S	9/2000	Biesecker	
D457,215 S	5/2002	Khanamirian	
D459,780 S	7/2002	Walden	
D497,966 S *	11/2004	Beerwald	D21/812

(Continued)

FOREIGN PATENT DOCUMENTS

CA	46266	11/1979
CA	63201	5/1989

(Continued)

Primary Examiner — Zenia Bennett

(74) *Attorney, Agent, or Firm* — Kane Kessler, P.C.; Paul E. Szabo

(57) **CLAIM**

The ornamental design for a personal flotation device, as shown.

DESCRIPTION

FIG. 1 is a perspective view of a personal flotation device showing my new design;

FIG. 2 is a front elevational view of the personal flotation device of FIG. 1;

FIG. 3 is a back elevational view of the personal flotation device of FIG. 1;

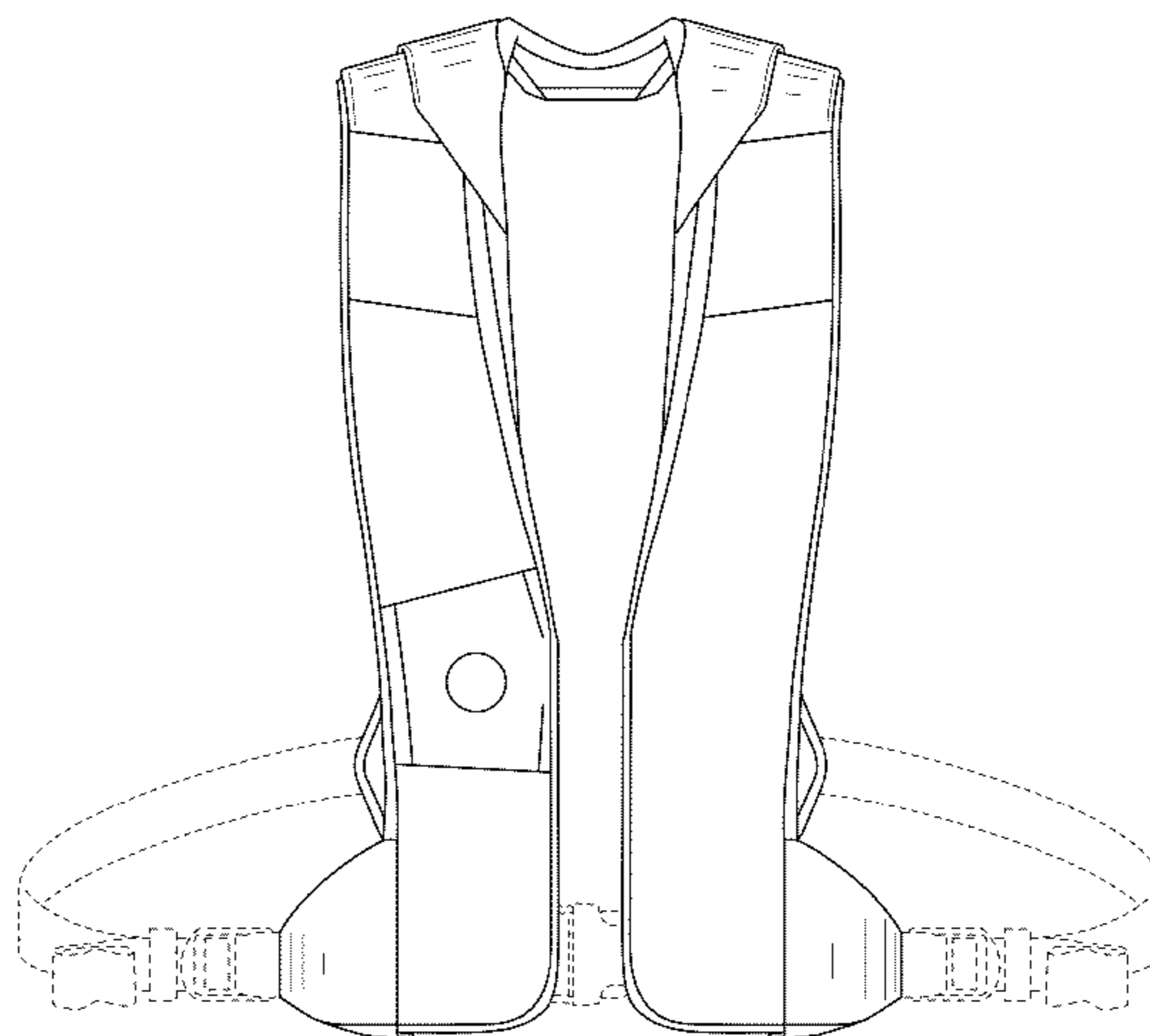
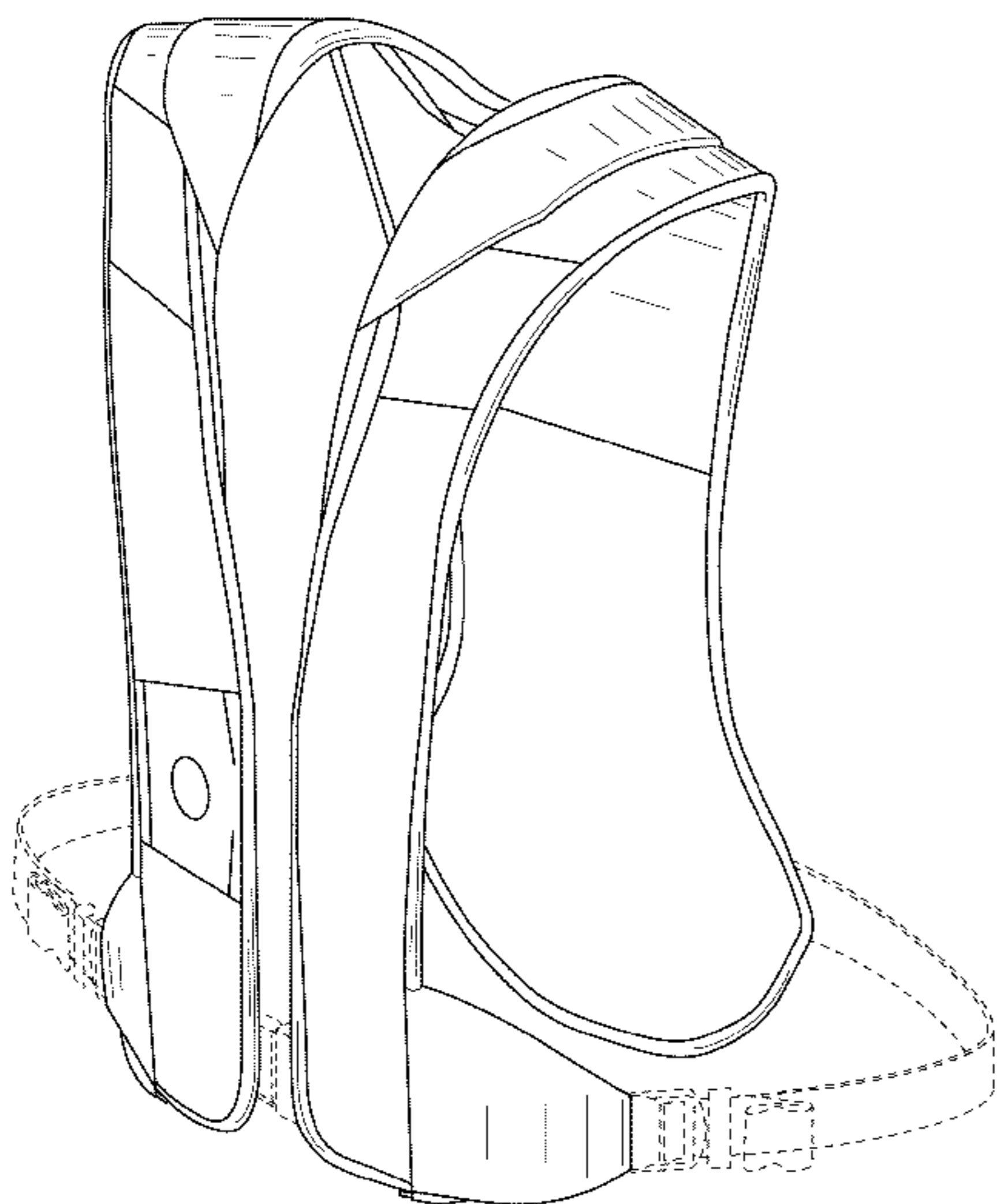
FIG. 4 is a right side elevational view of the personal flotation device of FIG. 1;

FIG. 5 is a left side elevational view of the personal flotation device of FIG. 1;

FIG. 6 is a top plan view of the personal flotation device of FIG. 1; and,

FIG. 7 is a bottom plan view of the personal flotation device of FIG. 1.

1 Claim, 6 Drawing Sheets



(56)

References Cited

U.S. PATENT DOCUMENTS

D501,907 S	2/2005	Peterson	
D510,117 S	9/2005	Jones	
D536,860 S *	2/2007	Hoey	D2/830
D554,225 S	10/2007	Peterson	
D582,501 S	12/2008	Brack et al.	
D600,859 S	9/2009	Hill et al.	
D604,380 S	11/2009	Garcia	
D607,528 S	1/2010	Marciano	
D622,800 S	8/2010	Barbis	
D622,801 S	8/2010	Barbis	
D623,714 S	9/2010	Steger	
D624,622 S	9/2010	Vick	
D638,084 S	5/2011	Barbis	
D638,900 S *	5/2011	Wahnon	D21/805
D639,374 S	6/2011	Vick	
D650,031 S	12/2011	Vick	
D650,032 S	12/2011	Vick	
D658,734 S	5/2012	Segarra-Soberanis	
D672,421 S	12/2012	Conlan	

D673,636 S	1/2013	Steger et al.
D674,854 S	1/2013	Steger
D677,020 S	2/2013	Blizzard
D678,974 S	3/2013	Rietz et al.
D679,355 S	4/2013	Fireman
D683,083 S	5/2013	Blizzard
D687,913 S	8/2013	Garcia
D692,082 S	10/2013	Lee
D706,374 S	6/2014	Rietz et al.
D707,777 S	6/2014	Lee

FOREIGN PATENT DOCUMENTS

CA	79712	12/1996
CA	91086	12/2000
CA	91468	1/2001
CA	91469	1/2001
CA	91470	1/2001
CA	91471	1/2001
CA	94356	1/2002

* cited by examiner



FIG. 1

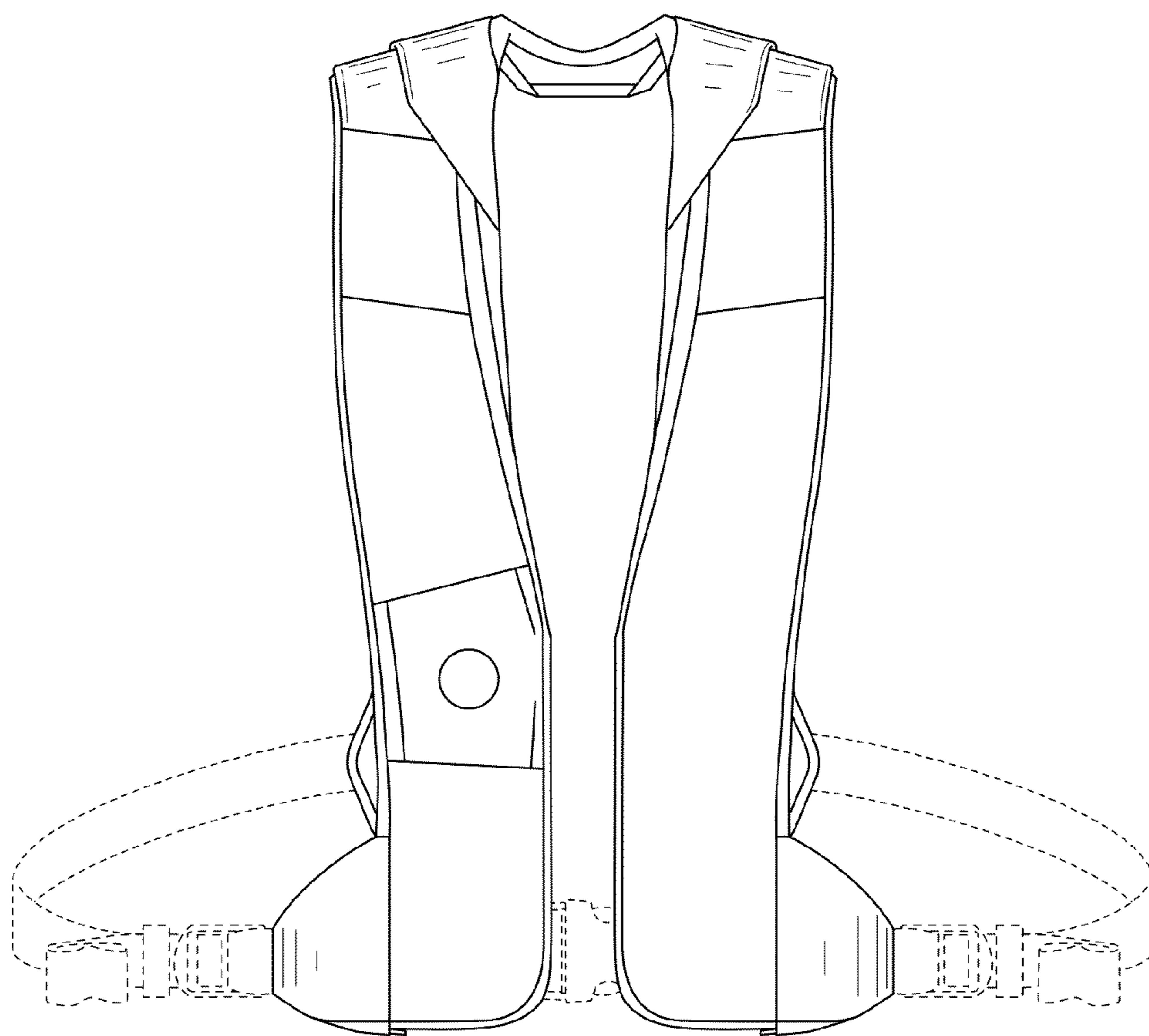


FIG. 2

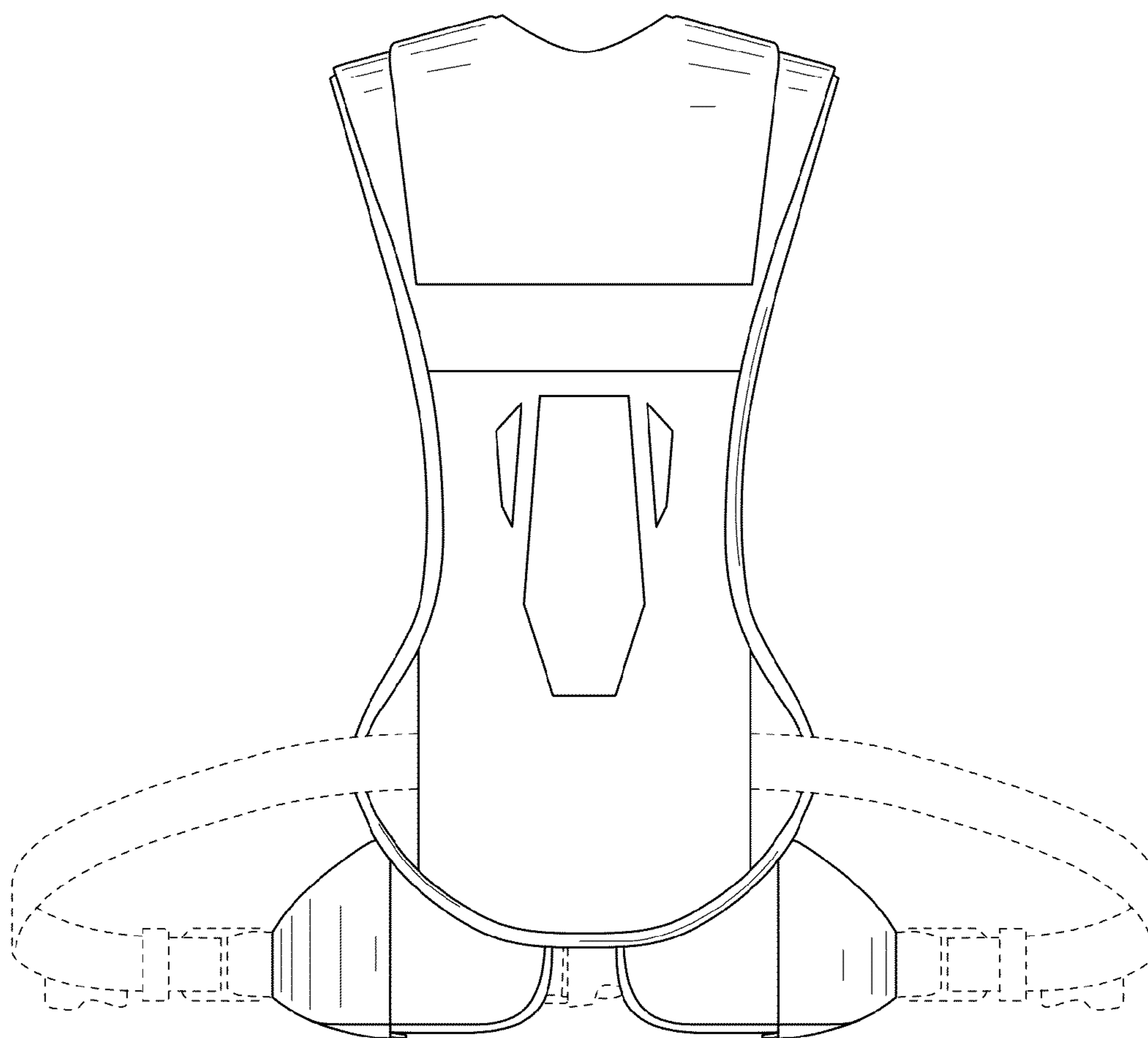


FIG. 3

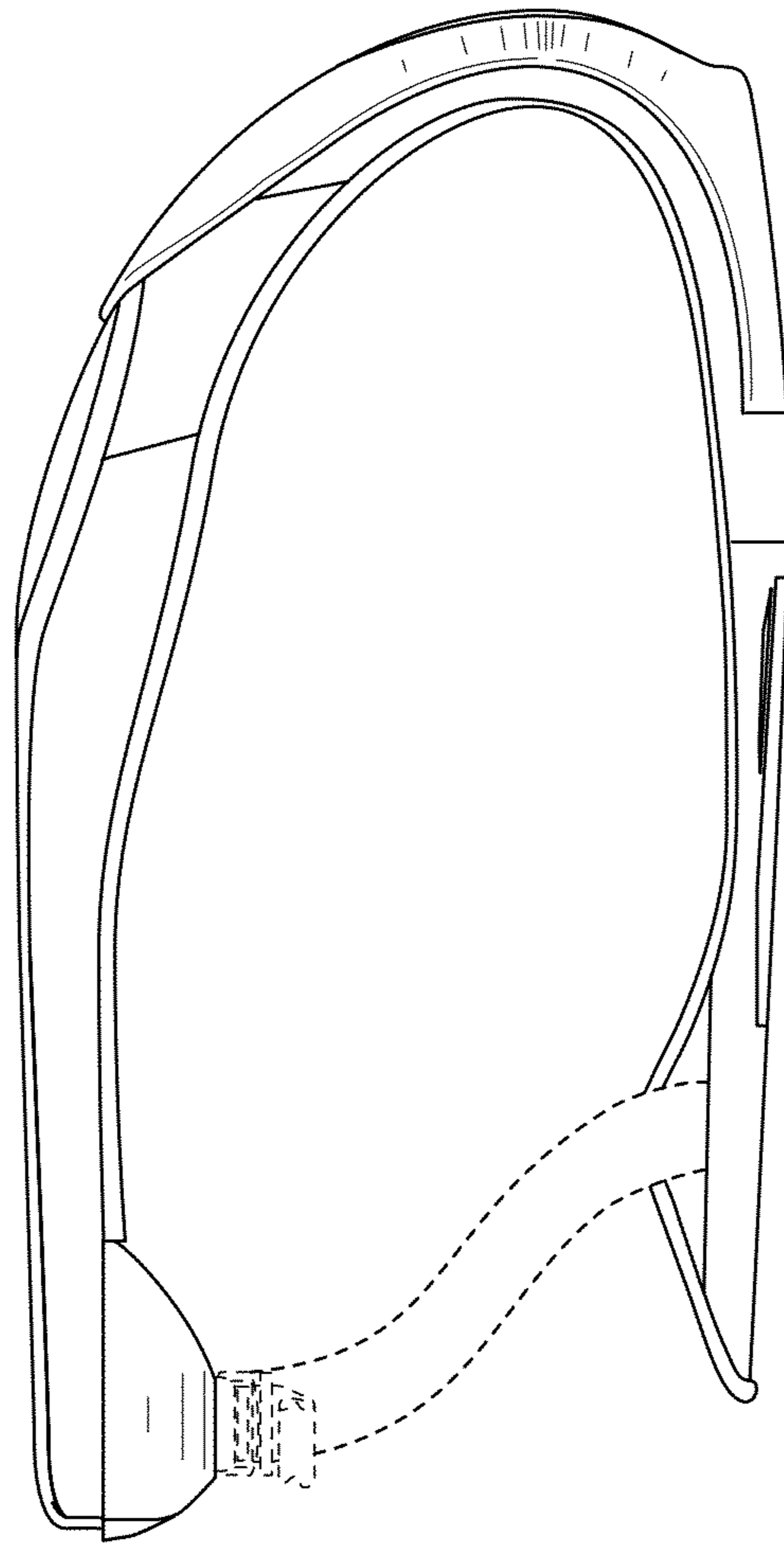


FIG. 4

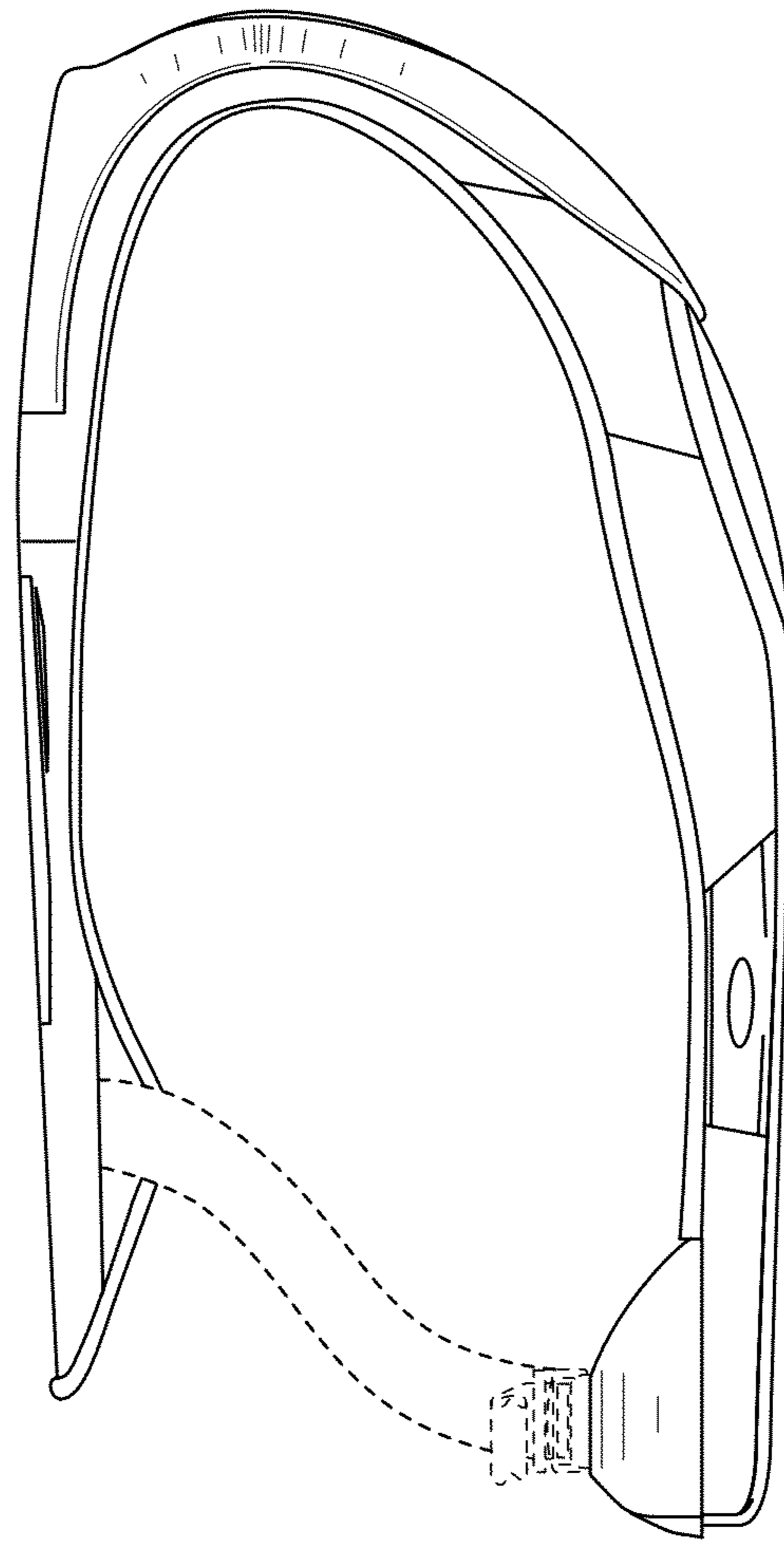


FIG. 5

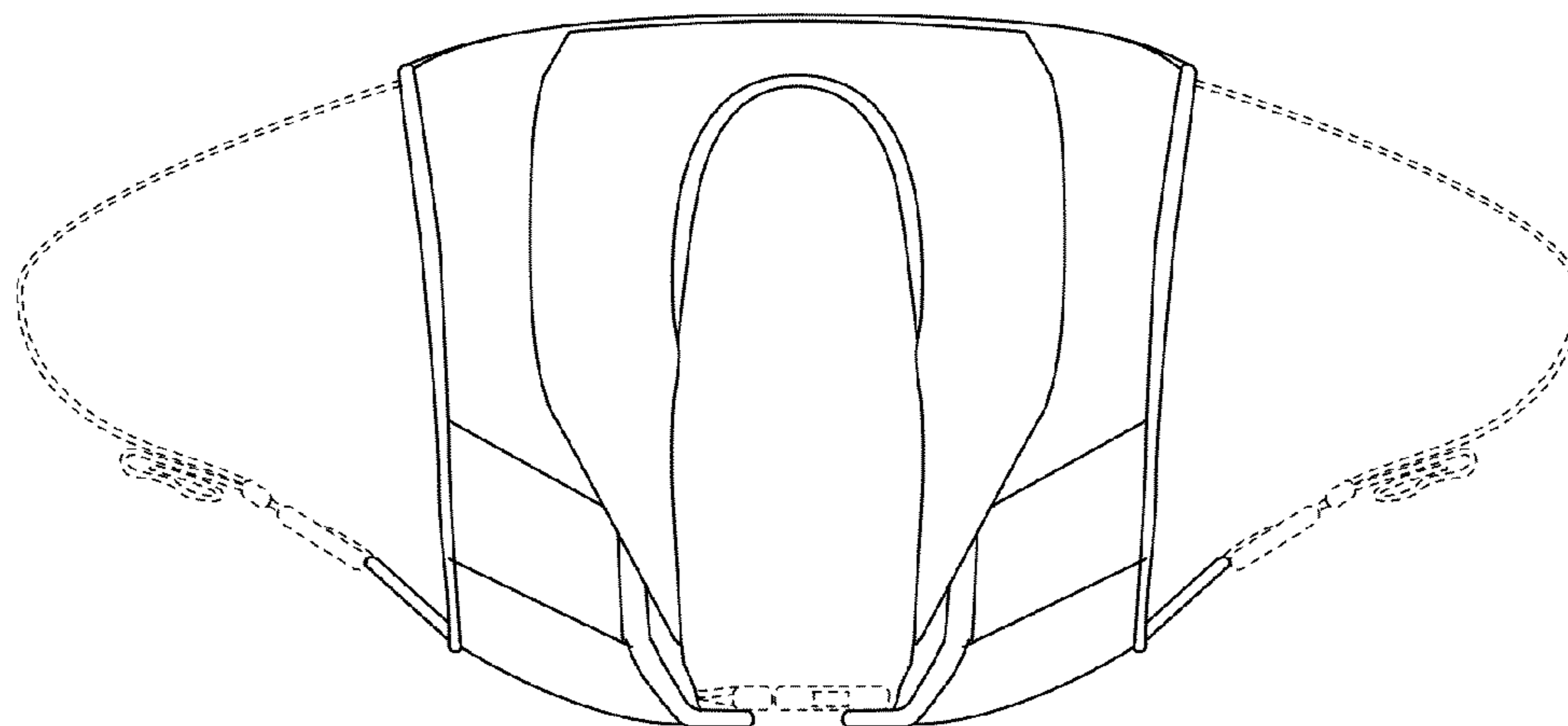


FIG. 6

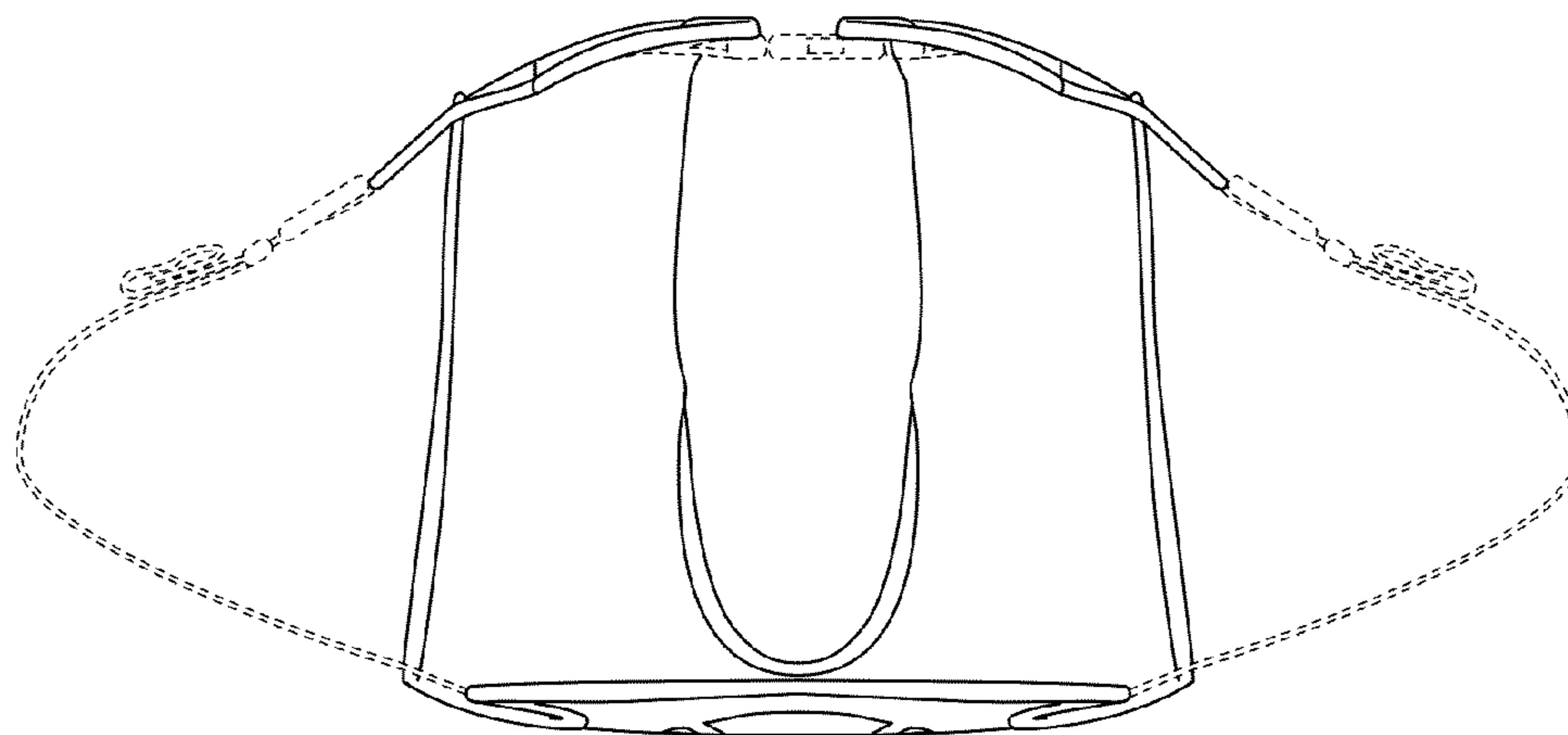


FIG. 7