



US00D728049S

(12) **United States Design Patent**
Gosman

(10) **Patent No.:** **US D728,049 S**

(45) **Date of Patent:** **** Apr. 28, 2015**

(54) **GOLF ALIGNMENT AID**

(71) Applicant: **David Gosman**, Stuart, FL (US)

(72) Inventor: **David Gosman**, Stuart, FL (US)

(73) Assignee: **David Gosman**, Hobe Sound, FL (US)

(**) Term: **14 Years**

(21) Appl. No.: **29/483,069**

(22) Filed: **Feb. 25, 2014**

(51) **LOC (10) Cl.** **21-02**

(52) **U.S. Cl.**
USPC **D21/791**

(58) **Field of Classification Search**
CPC A63B 69/3667; A63B 69/3673; A63B
69/3608
USPC D21/789, 791; 473/218, 257, 270-273
See application file for complete search history.

(56) **References Cited**

U.S. PATENT DOCUMENTS

D332,815 S *	1/1993	Rivas	D21/791
D550,319 S *	9/2007	Peterson	D21/791
D568,430 S *	5/2008	Van Der Hout	D21/789

D568,431 S *	5/2008	Van Der Hout	D21/789
D692,081 S *	10/2013	Stallman	D21/791
D708,285 S *	7/2014	Miller	D21/791

* cited by examiner

Primary Examiner — Mitchell Siegel

(74) *Attorney, Agent, or Firm* — McHale & Slavin P.A.

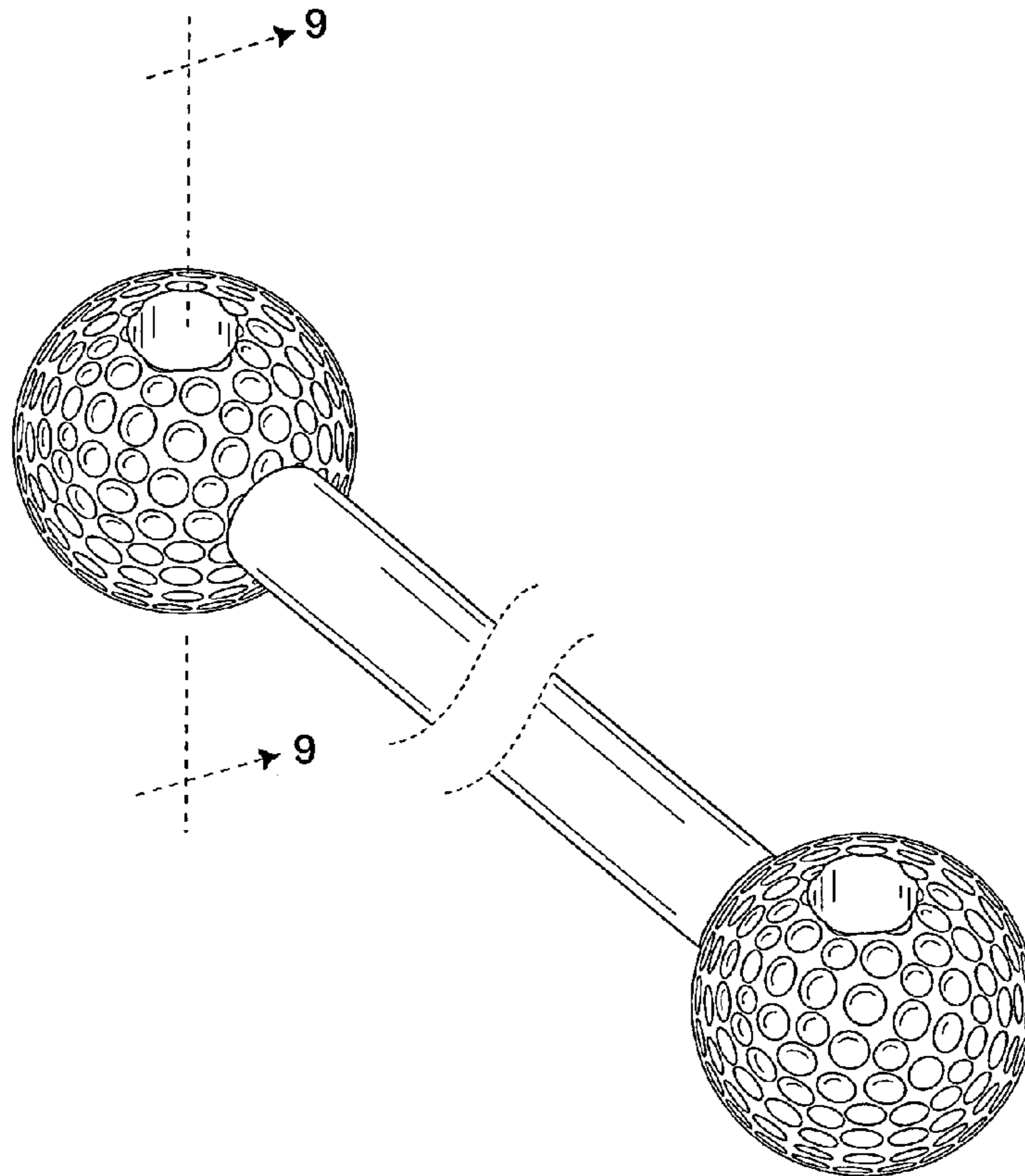
(57) **CLAIM**

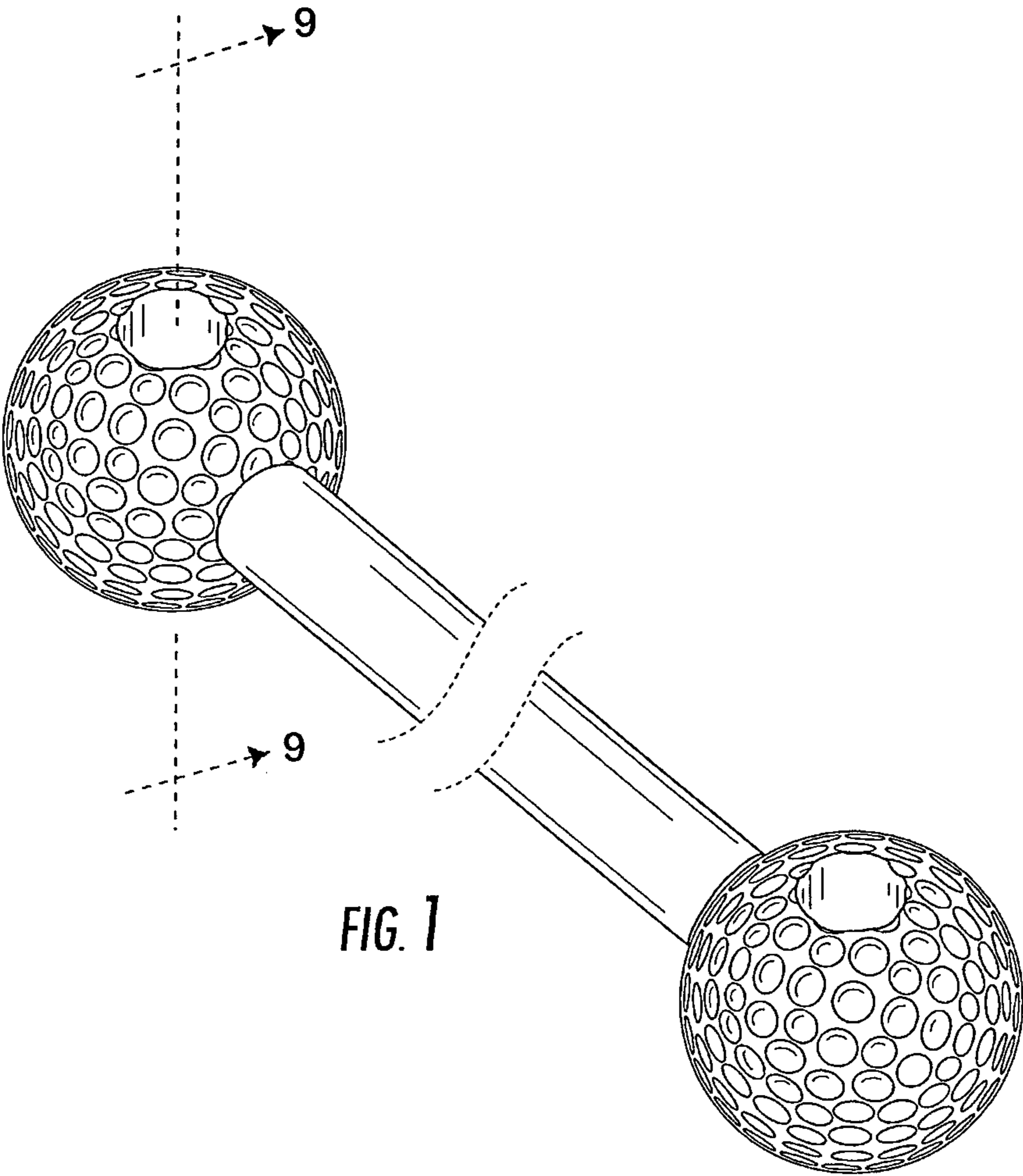
The ornamental design for a golf alignment aid, as shown and described.

DESCRIPTION

FIG. 1 is a perspective view of the golf alignment aid of the present invention;
 FIG. 2 is a top side view thereof;
 FIG. 3 is a bottom side view thereof;
 FIG. 4 is a front side view thereof;
 FIG. 5 is a rear side view thereof;
 FIG. 6 is a left side view thereof;
 FIG. 7 is a right side view thereof;
 FIG. 8 is an environmental view illustrating operation of the golf alignment aid; and,
 FIG. 9 is an enlarged fragmented cross sectional view taken on line 9-9 of FIG. 1.
 Portions of the claimed design are shown separated and bound by a bracket to indicate indeterminate length.

1 Claim, 5 Drawing Sheets





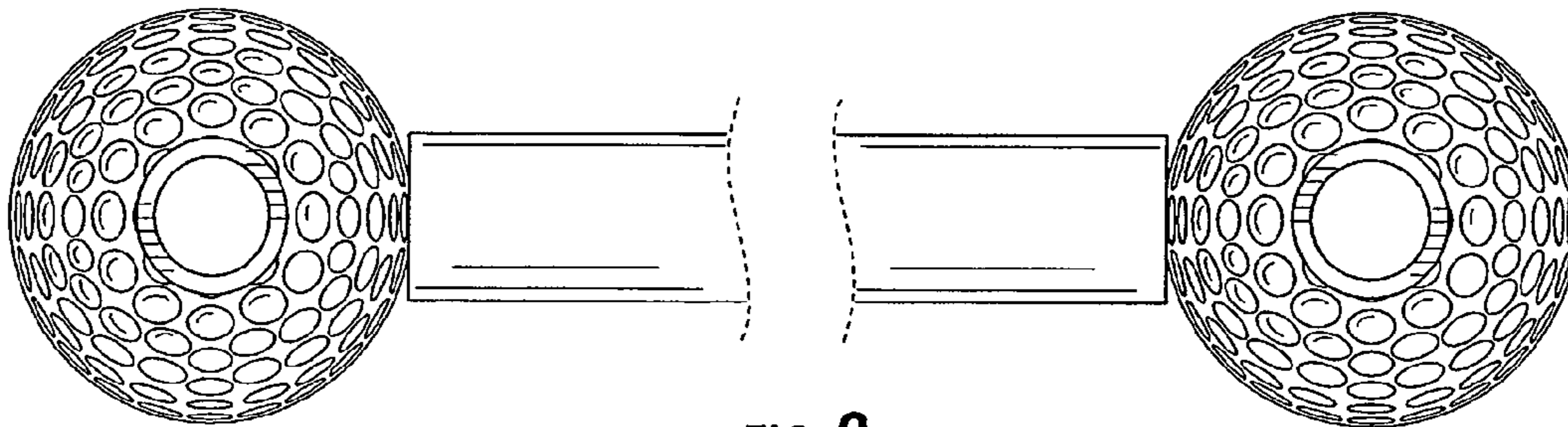


FIG. 2

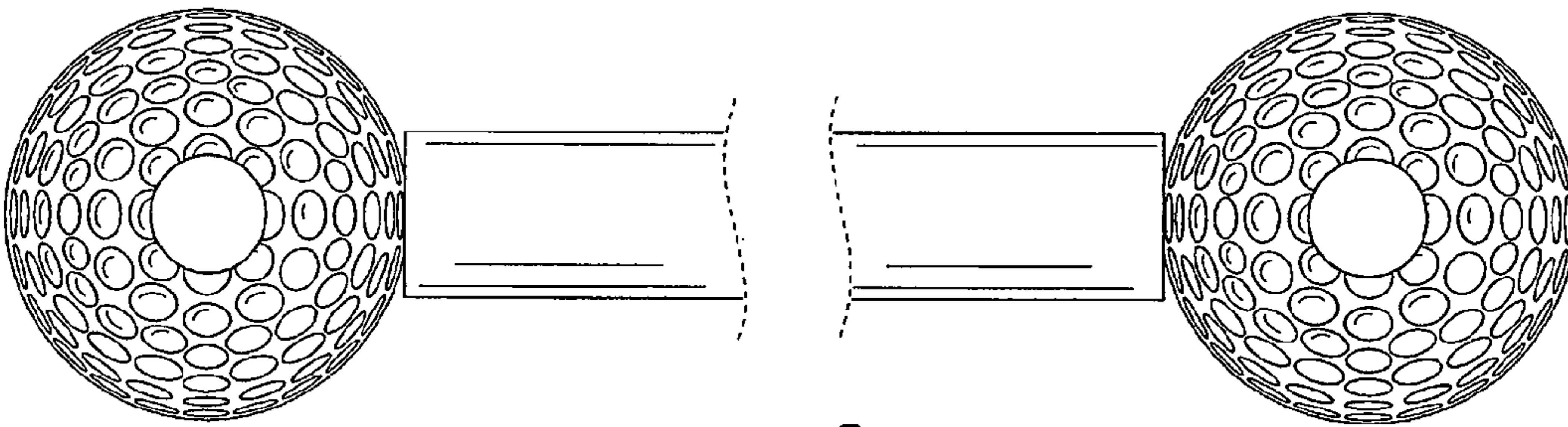


FIG. 3

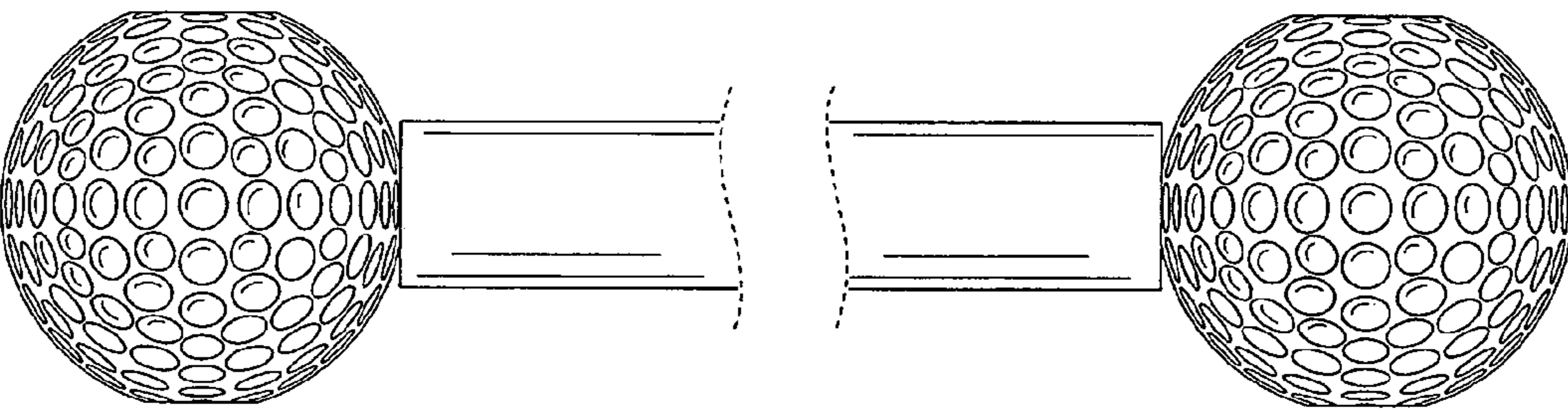


FIG. 4

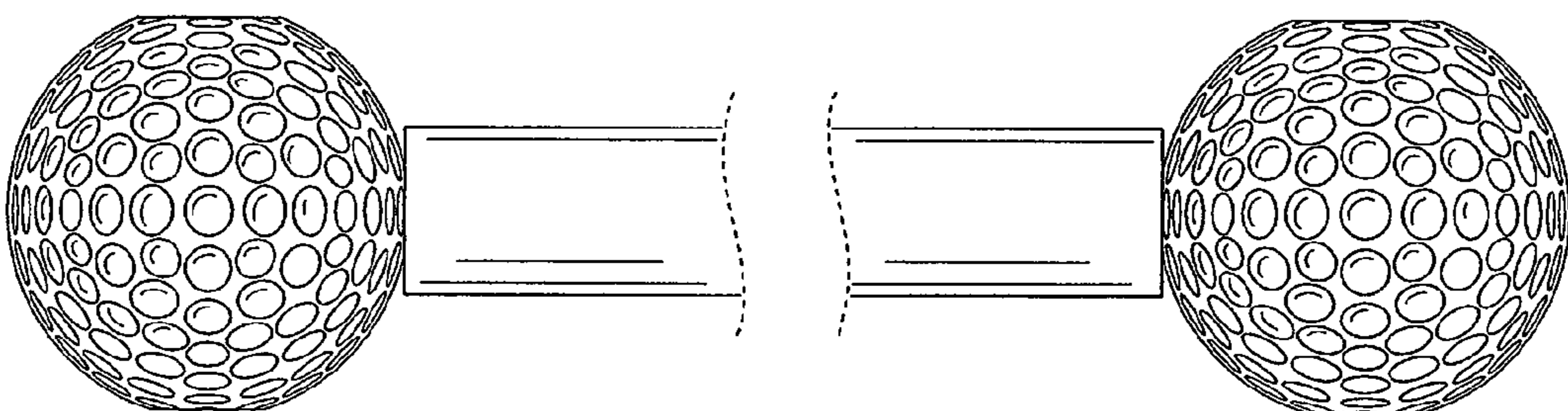


FIG. 5

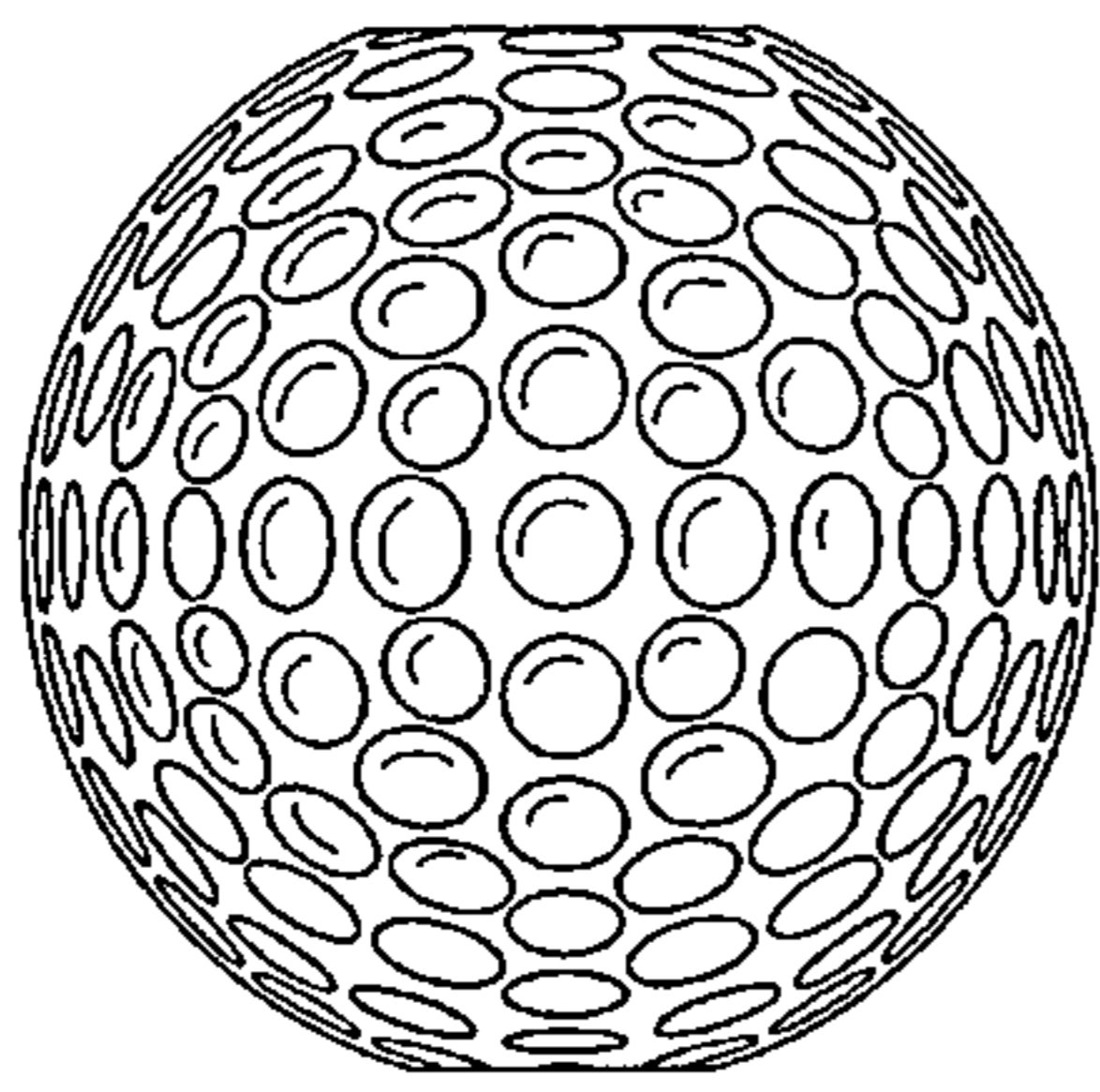


FIG. 6

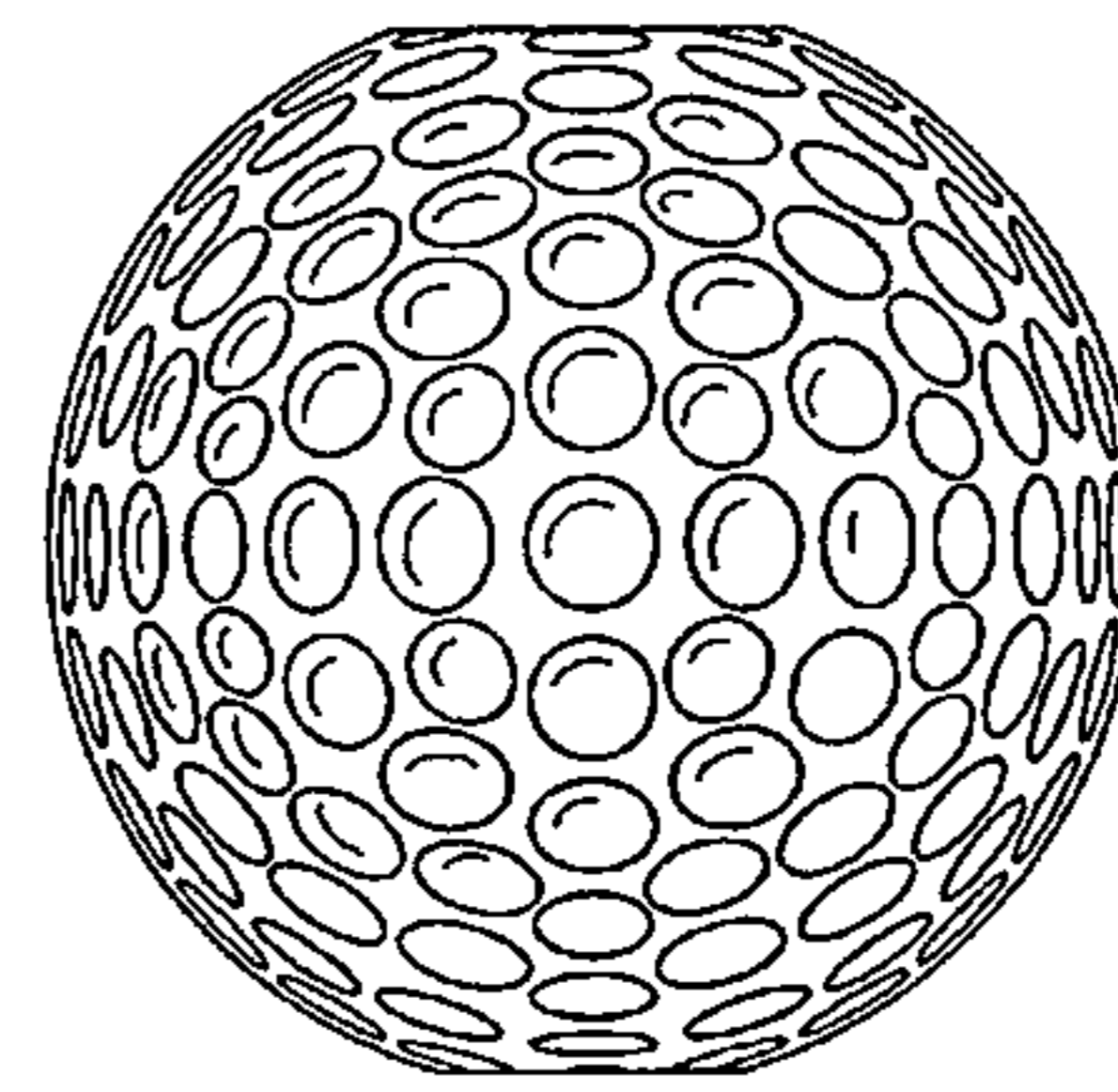


FIG. 7

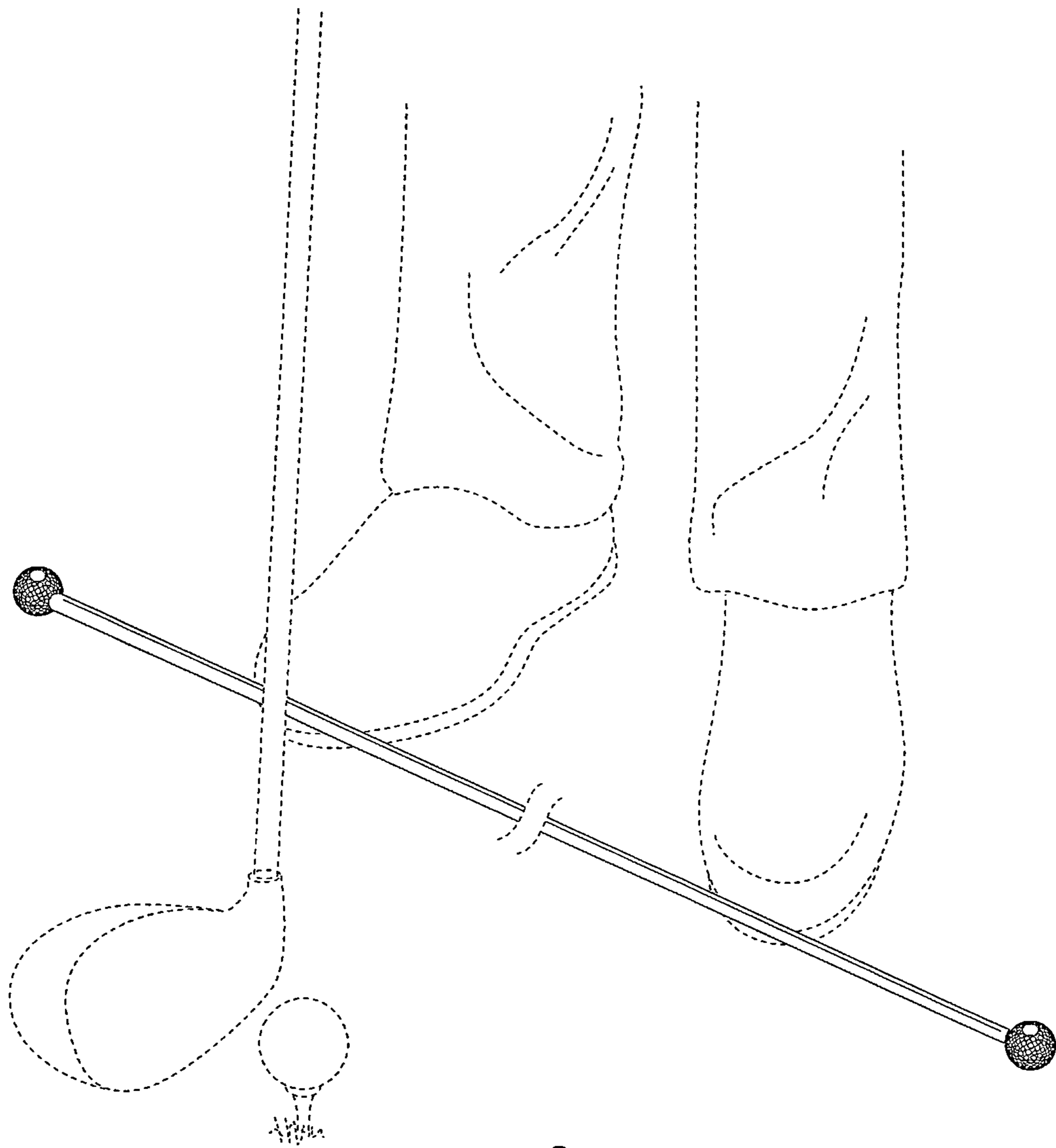


FIG. 8

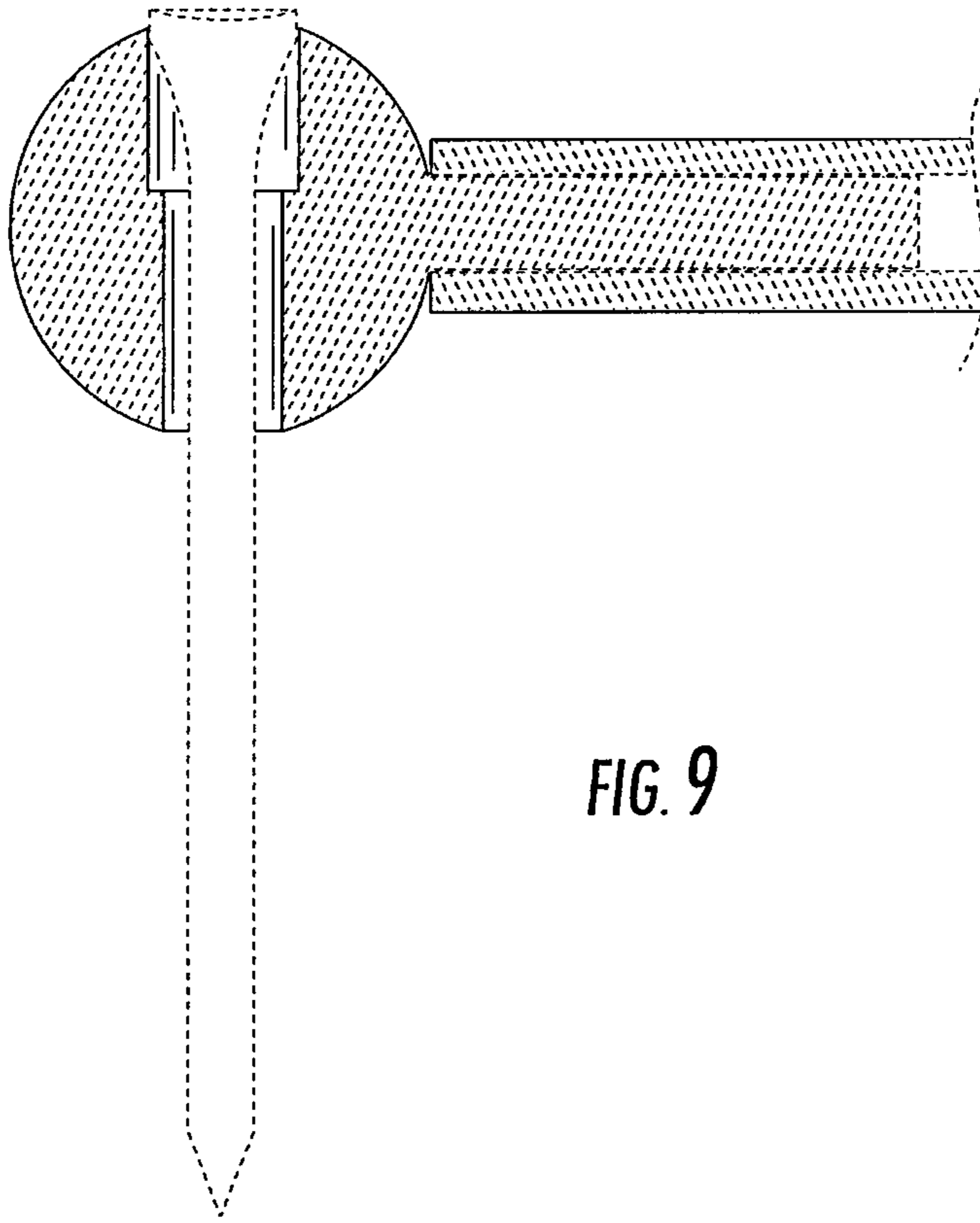


FIG. 9