



US00D728048S

(12) **United States Design Patent**
Stover et al.

(10) **Patent No.:** **US D728,048 S**

(45) **Date of Patent:** **** Apr. 28, 2015**

(54) **SKATEBOARD**

(71) Applicants: **David Monroe Stover**, Block Island, RI (US); **Kevin John Ahearn, Jr.**, East Hampton, NY (US); **Ben Robert Kneppers**, Block Island, RI (US)

(72) Inventors: **David Monroe Stover**, Block Island, RI (US); **Kevin John Ahearn, Jr.**, East Hampton, NY (US); **Ben Robert Kneppers**, Block Island, RI (US)

(**) Term: **14 Years**

(21) Appl. No.: **29/489,886**

(22) Filed: **May 4, 2014**

(51) **LOC (10) Cl.** **21-02**

(52) **U.S. Cl.**
USPC **D21/765**

(58) **Field of Classification Search**
CPC A63C 17/01; A63C 17/011; A63C 17/012; A63C 17/014; A63C 17/015; A63C 17/02; A63C 17/26; A63C 5/003; A63B 69/0022; B60Q 1/326; B62K 3/001
USPC D21/419, 421, 423, 426, 760, 765, 766, D21/769, 771, 776, 803; 280/7.14, 11.115, 280/11.19, 11.27, 11.28, 14.21, 87.01, 280/87.021, 87.03, 87.041, 87.042, 607, 280/608, 609, 809; 180/180, 181; 434/247, 434/253, 258

See application file for complete search history.

(56) **References Cited**

U.S. PATENT DOCUMENTS

4,337,963	A *	7/1982	Stevenson	280/87.042
D564,613	S *	3/2008	Hamborg	D21/765
D682,379	S *	5/2013	Fox	D21/765
8,523,205	B2 *	9/2013	Hsu et al.	280/87.042
D692,079	S *	10/2013	Mackay	D21/765
D709,154	S *	7/2014	Brotherson	D21/765
2011/0037238	A1 *	2/2011	Devine et al.	280/87.042
2013/0001910	A1 *	1/2013	Hsu et al.	280/87.042

* cited by examiner

Primary Examiner — Cynthia M Chin

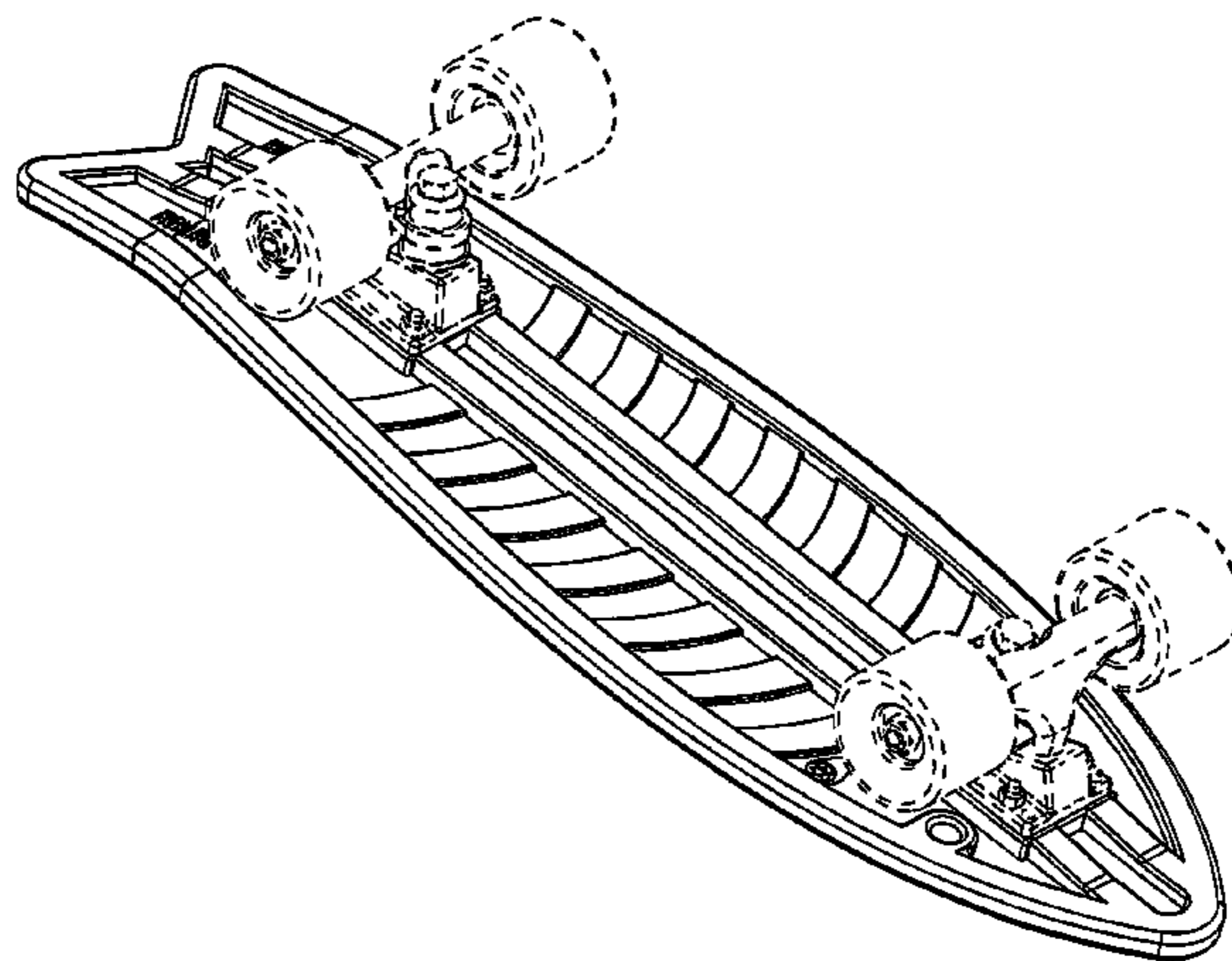
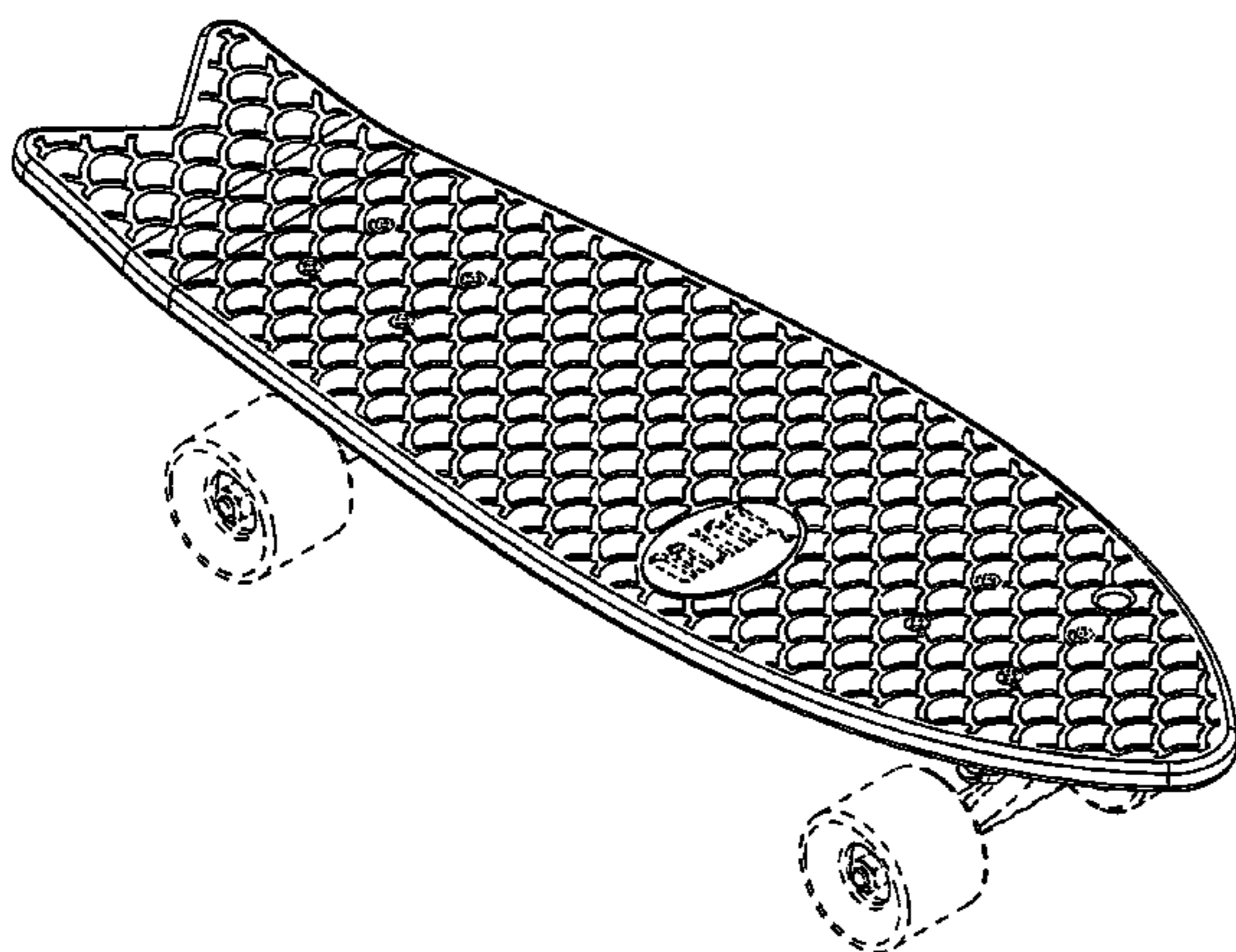
(57) **CLAIM**

We claim the ornamental design for a skateboard, as shown and described.

DESCRIPTION

FIG. 1. is a perspective view of the claimed design;
FIG. 2. is a bottom perspective view thereof;
FIG. 3. is a front elevational view of FIG. 1;
FIG. 4. is a rear elevational view thereof;
FIG. 5. is a right-side elevational view thereof, the left-side elevational view being a mirror image thereof;
FIG. 6. is a top plan view of FIG. 1;
FIG. 7. is a bottom plan view thereof;
FIG. 8. is a cross-sectional view thereof, taken along section 8-8 of FIG. 6; and,
FIG. 9. is a cross-sectional view thereof, taken along section 9-9 of FIG. 7.
The broken lines showing a logo, wheels, and trucks in the figures depict environmental matter and in no form are a part of the claimed design.

1 Claim, 4 Drawing Sheets



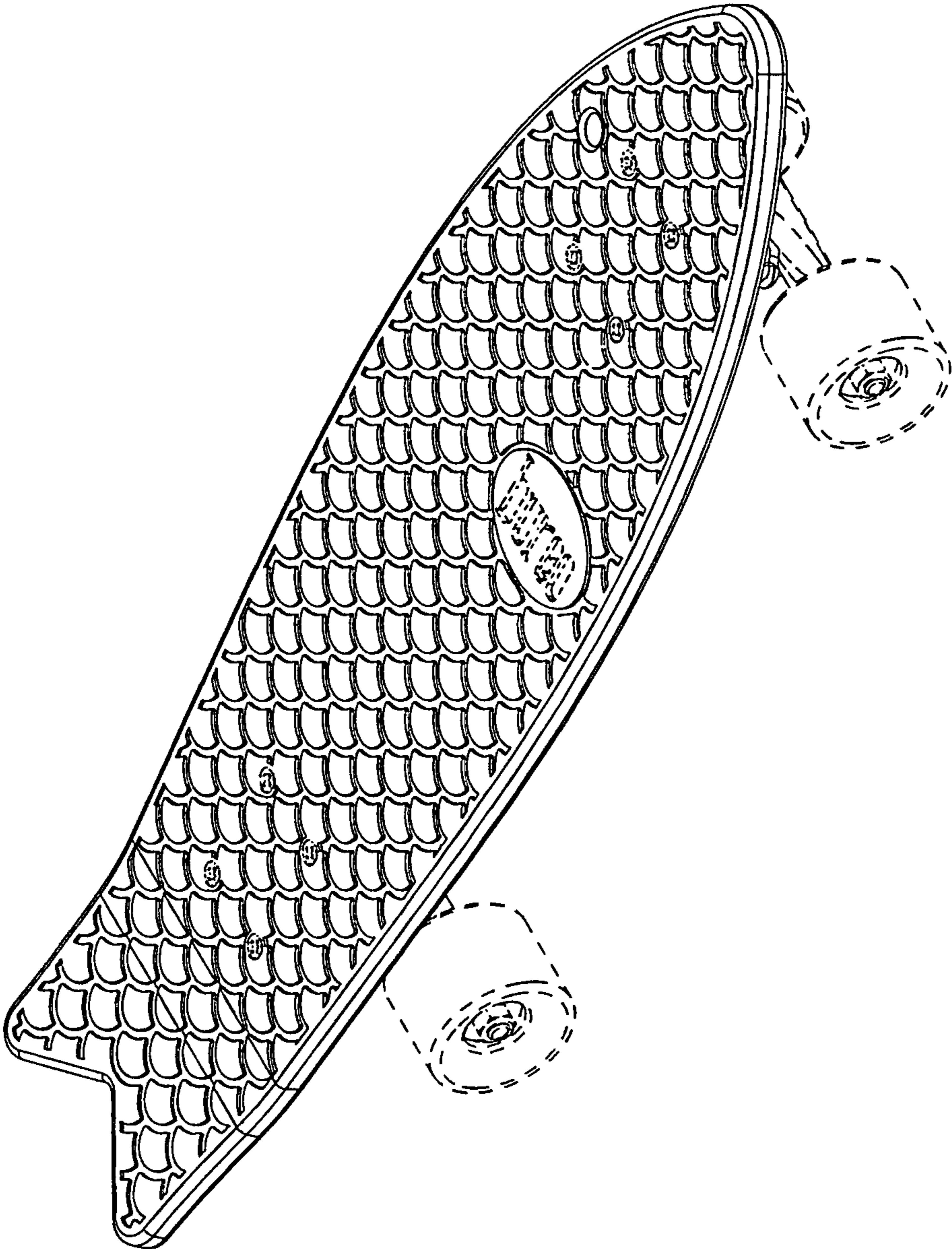


FIG. 1

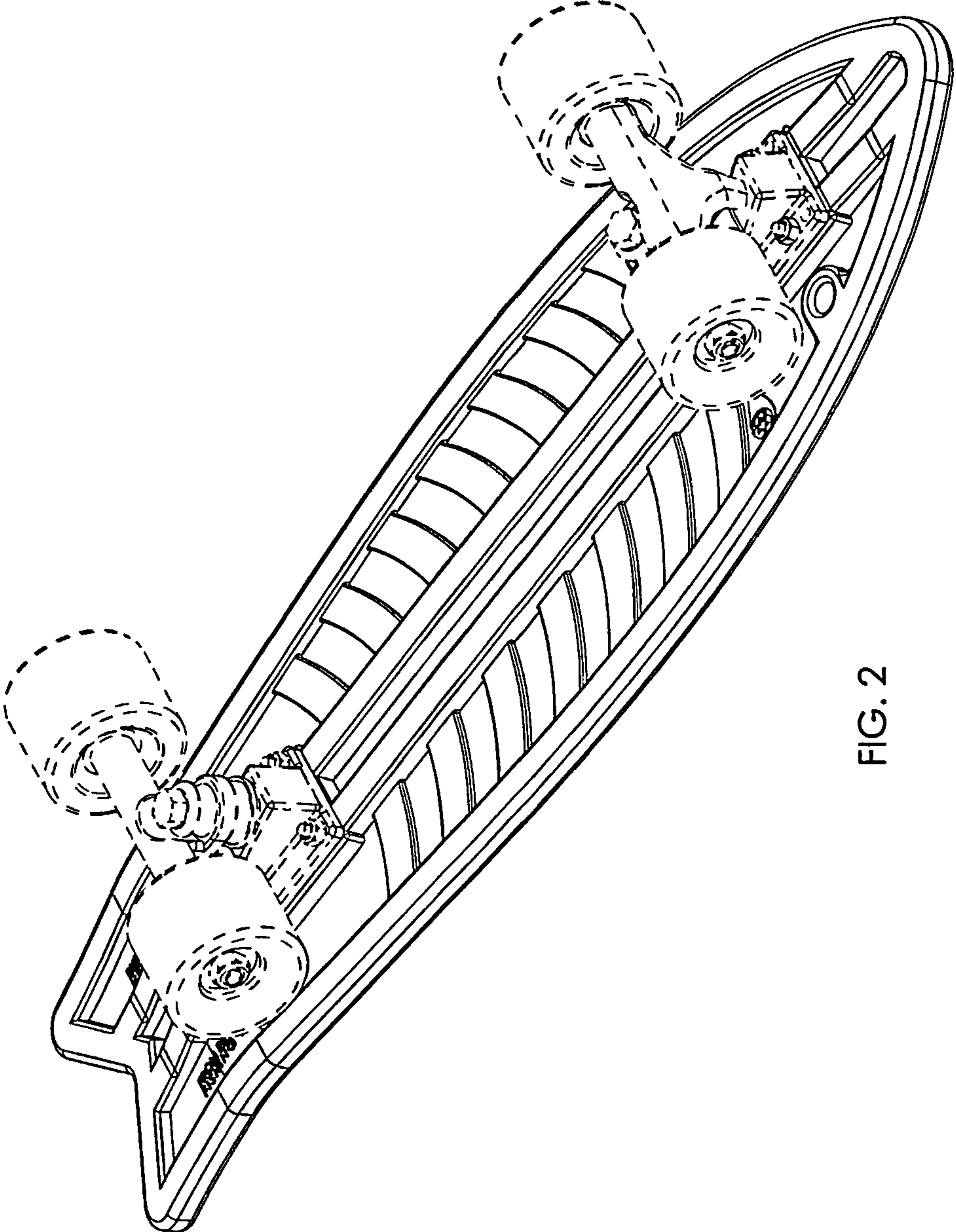


FIG. 2

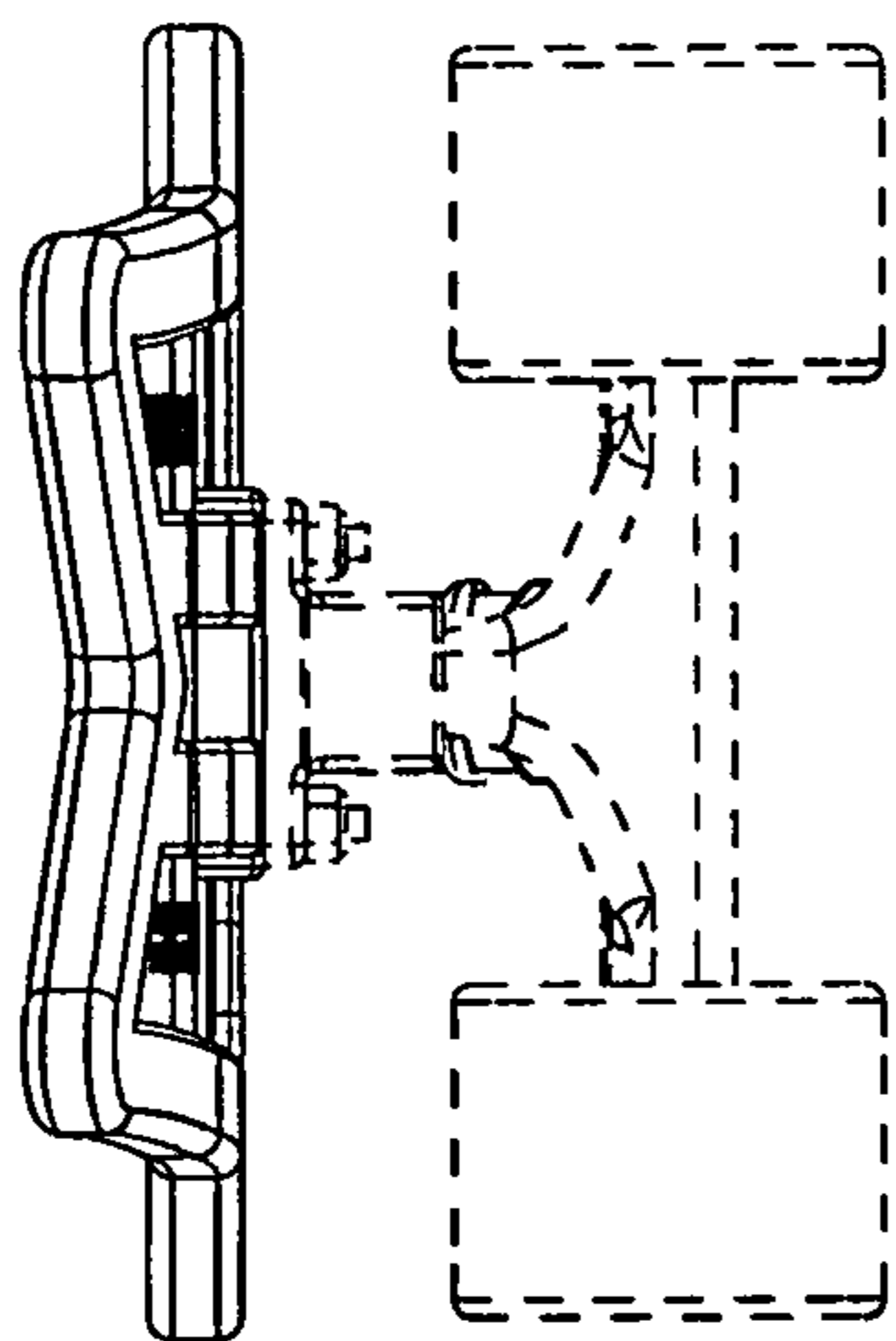


FIG. 3

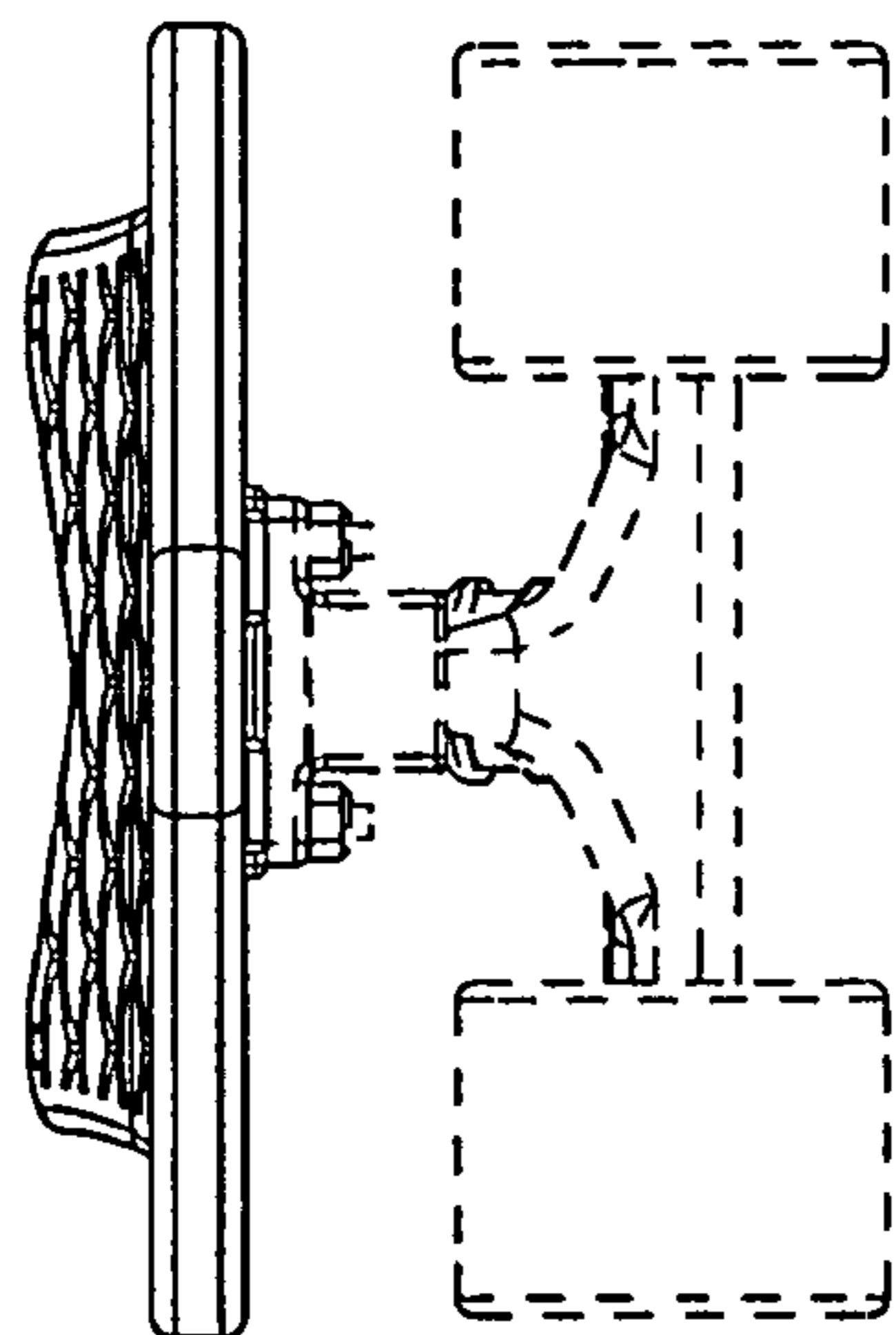


FIG. 4

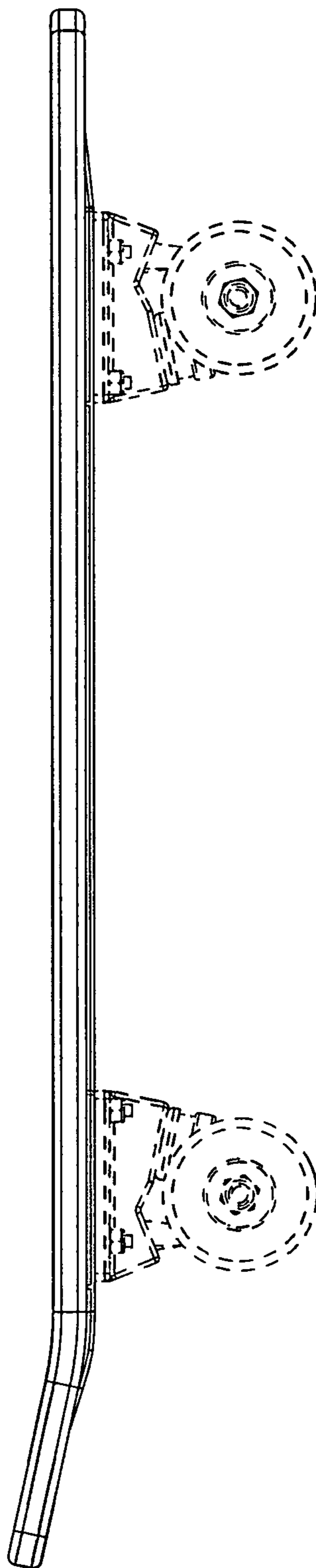


FIG. 5

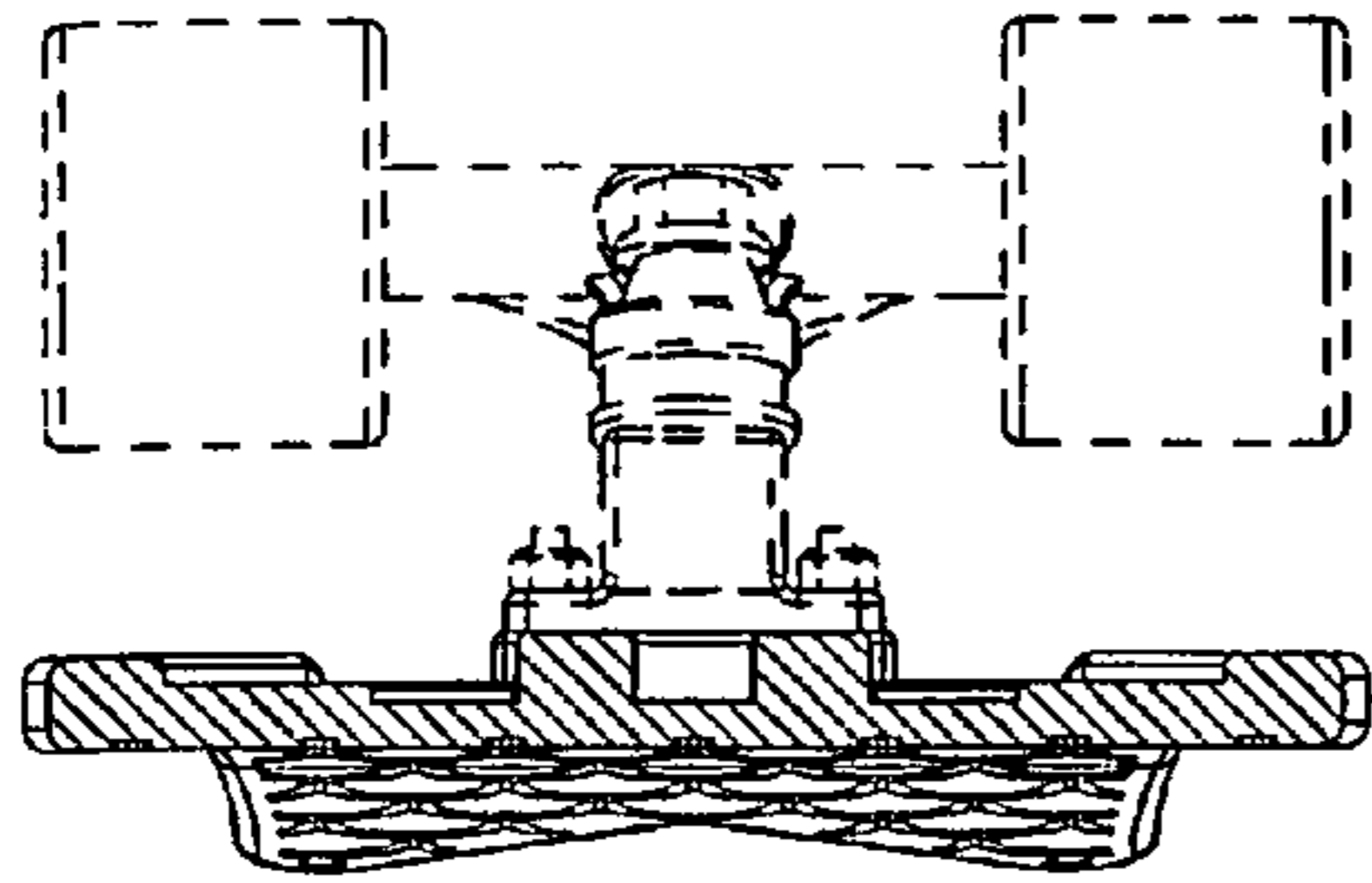


FIG. 8

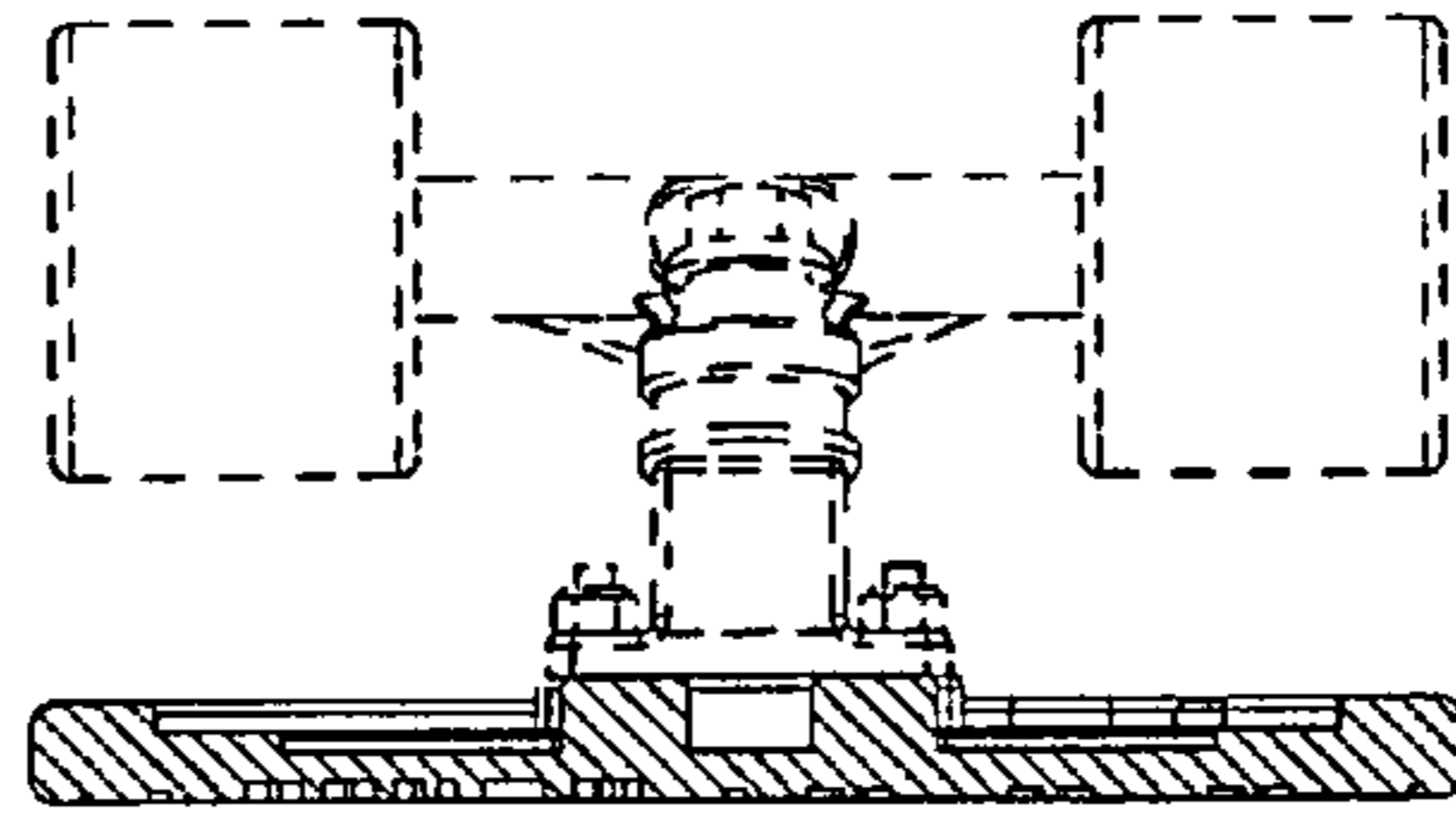


FIG. 9

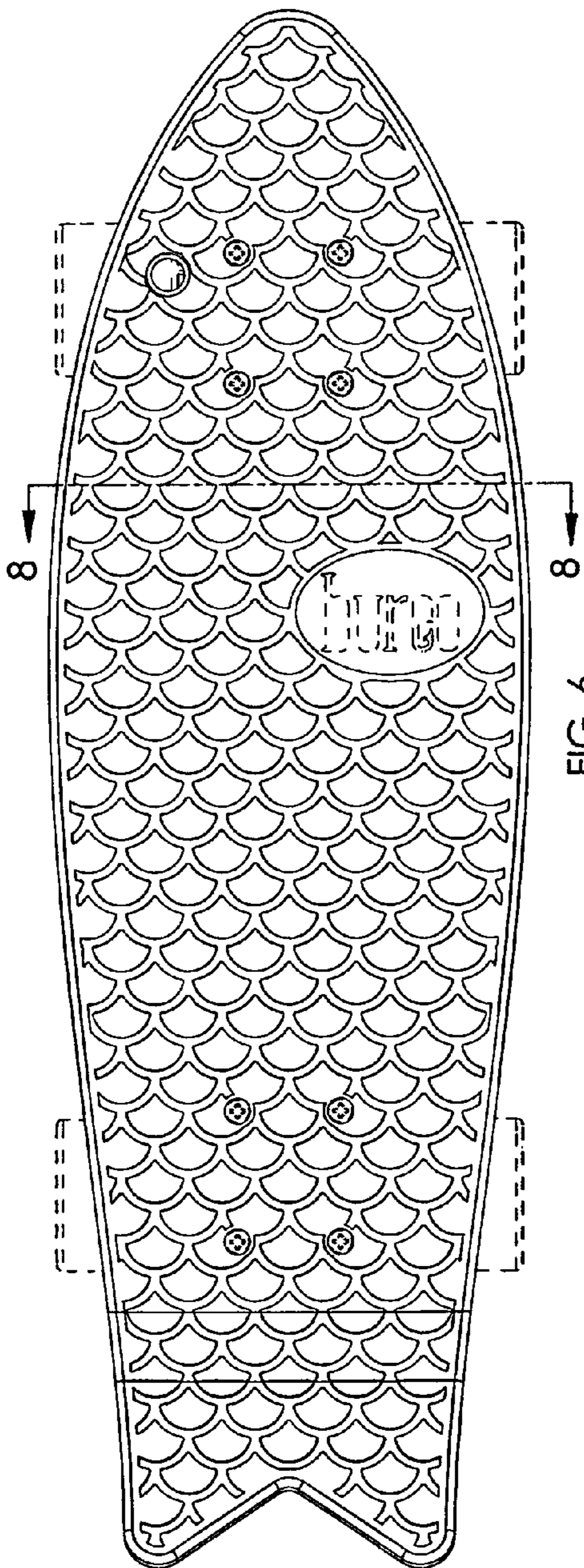


FIG. 6

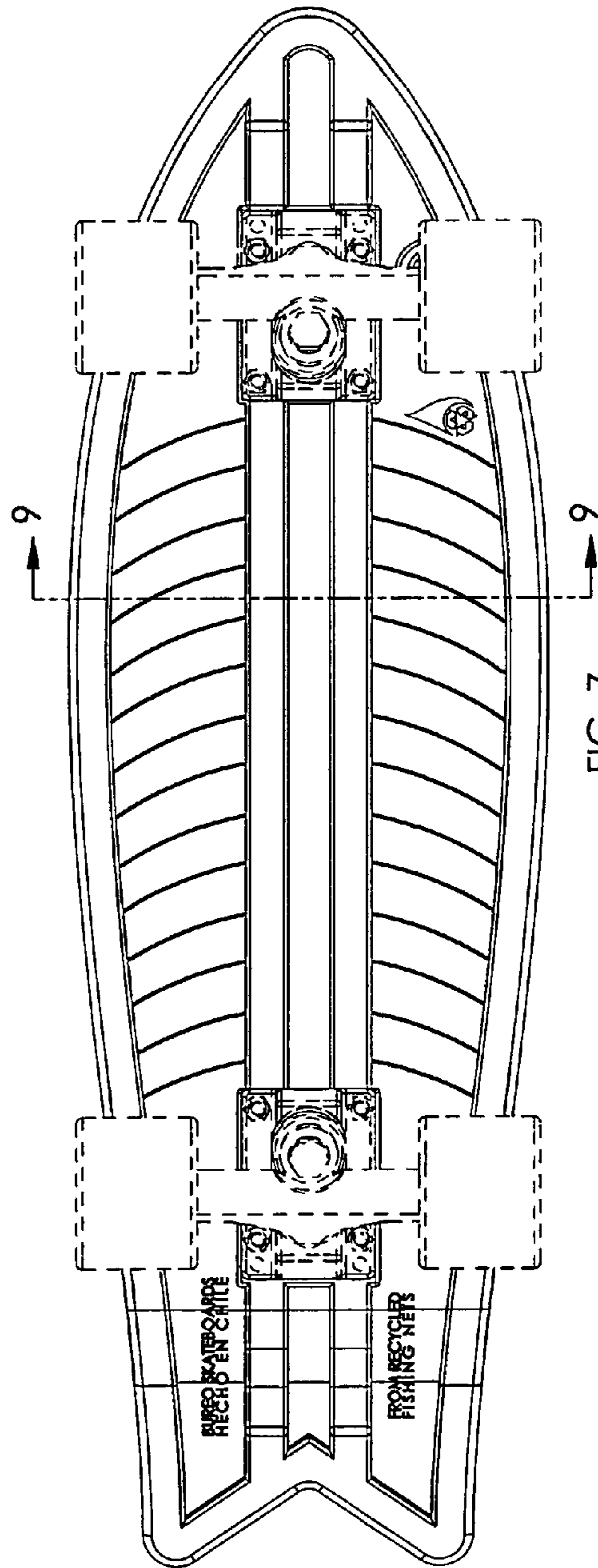


FIG. 7