



US00D728046S

(12) **United States Design Patent**
Chung

(10) **Patent No.:** **US D728,046 S**
(45) **Date of Patent:** **** Apr. 28, 2015**

(54) **PUTTER HEAD**

(71) Applicant: **Suny Chung**, Anaheim, CA (US)

(72) Inventor: **Suny Chung**, Anaheim, CA (US)

(**) Term: **14 Years**

(21) Appl. No.: **29/485,826**

(22) Filed: **Mar. 24, 2014**

(51) **LOC (10) Cl.** **21-02**

(52) **U.S. Cl.**
USPC **D21/743**

(58) **Field of Classification Search**
USPC D21/736-746, 759; 473/324-331,
473/340-341, 251-256
See application file for complete search history.

(56) **References Cited**

U.S. PATENT DOCUMENTS

D220,844 S *	6/1971	Letters	D21/740
D223,031 S *	2/1972	Ernst	D21/740
D240,749 S *	7/1976	Benson	D21/737
D251,077 S *	2/1979	Strop	D21/740
D293,355 S *	12/1987	Wampler	D21/738
4,951,949 A *	8/1990	Kastenhuber	473/313
D322,112 S *	12/1991	Kastenhuber	D21/740
D397,751 S *	9/1998	Karagozian	D21/742

D410,054 S *	5/1999	Yu	D21/736
D532,066 S *	11/2006	Tang	D21/736
D616,052 S *	5/2010	Chung	D21/738

* cited by examiner

Primary Examiner — Mitchell Siegel

(57) **CLAIM**

The ornamental design for a putter head, as shown and described.

DESCRIPTION

FIG. 1 is a perspective view of a putter head as viewed from the front, top and one side thereof showing my new design; and

FIG. 2 is a perspective view of the putter head of FIG. 1; FIG. 3 is a front elevation view of the putter head of FIG. 1; FIG. 4 is a rear elevation view of the putter head of FIG. 1; FIG. 5 is a side elevation view of one side of the putter head of FIG. 1;

FIG. 6 is a side elevation view of the other side of the putter head of FIG. 1;

FIG. 7 is a top plain view of the putter head of FIG. 1; and, FIG. 8 is a bottom plain view of the putter head of FIG. 1.

The broken line showing of the rear portion of the wheel is included for the purpose of illustrating environment and forms no part of the claimed design.

1 Claim, 8 Drawing Sheets

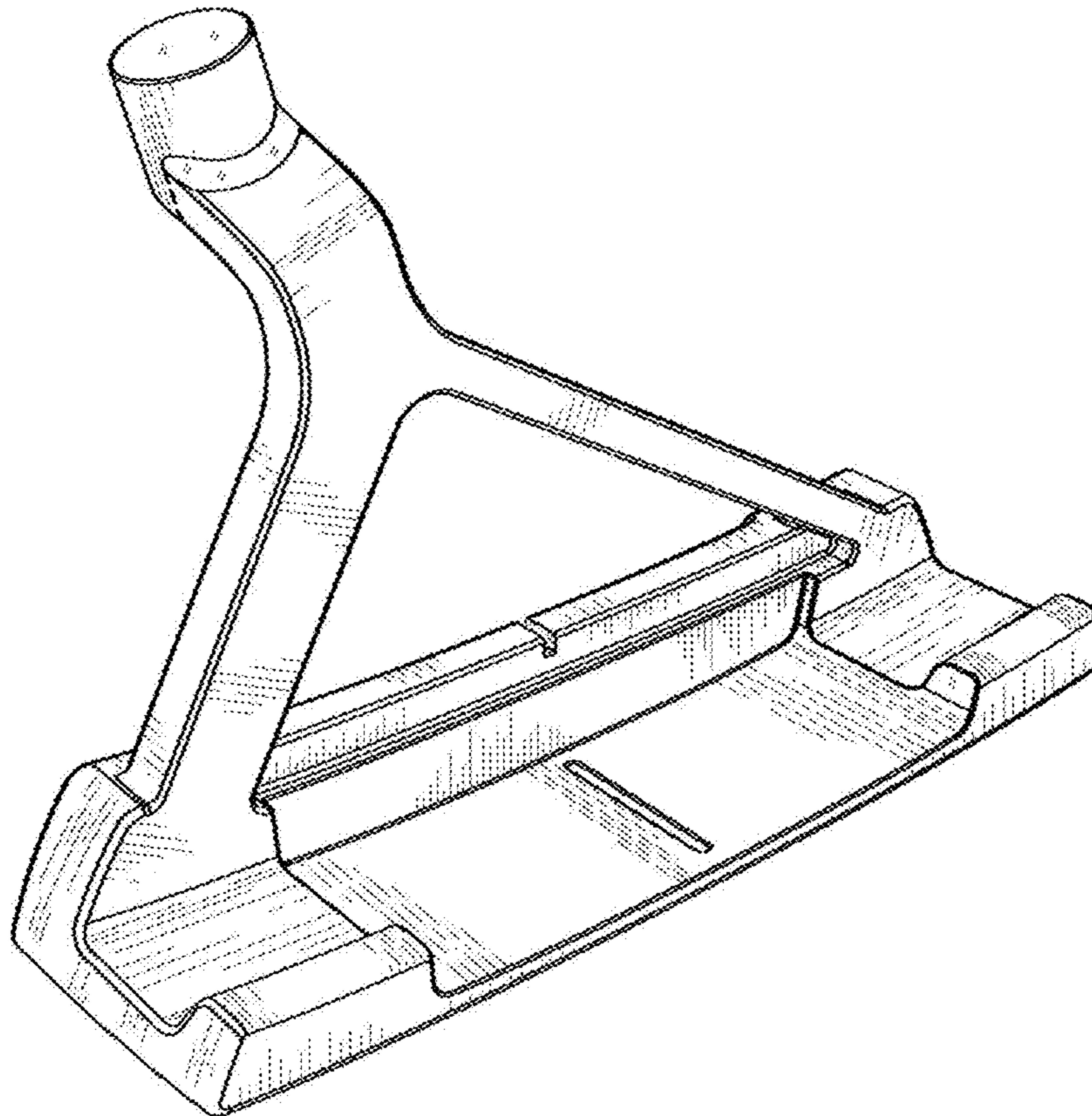


FIGURE 1

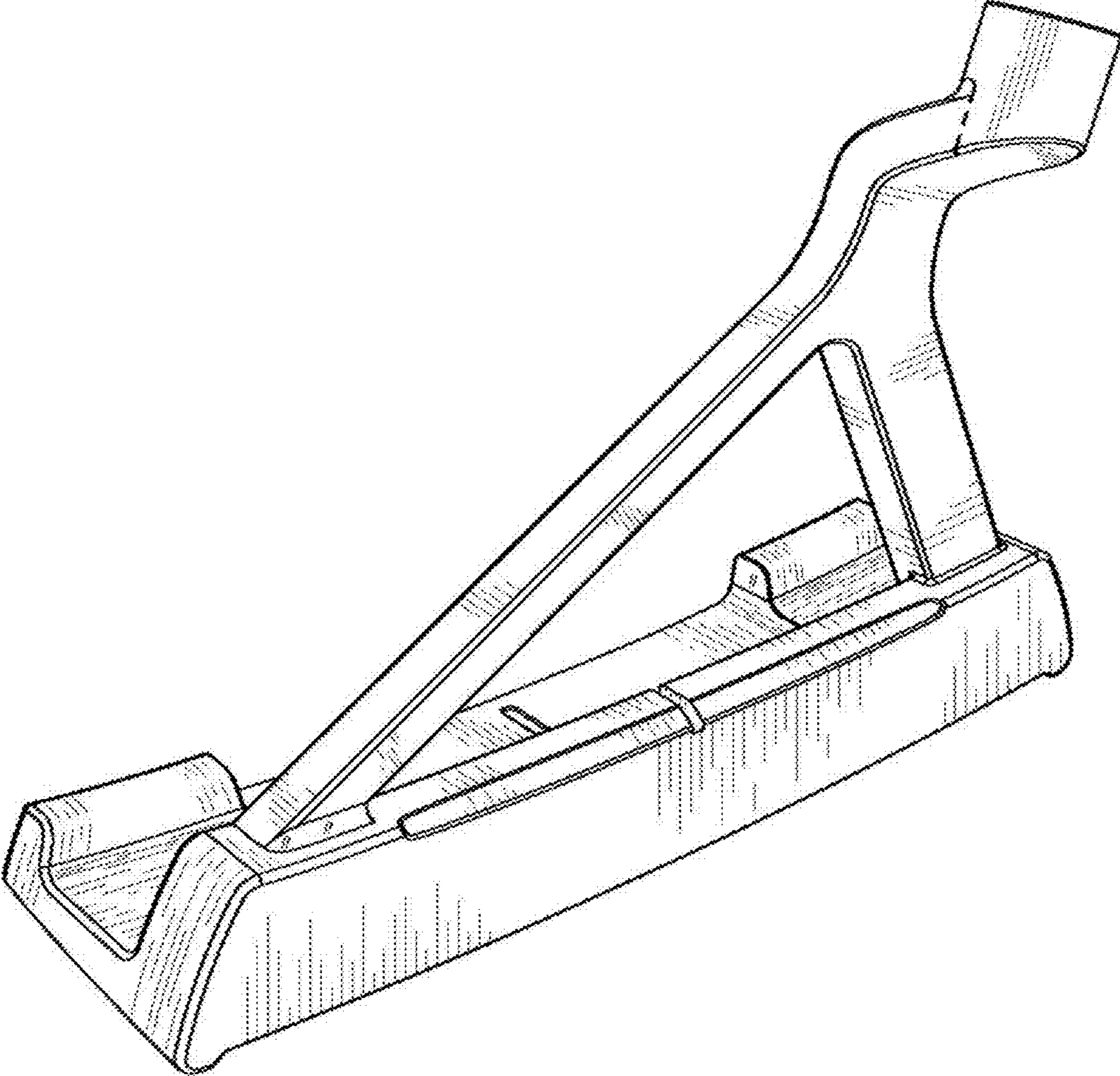


FIGURE 2

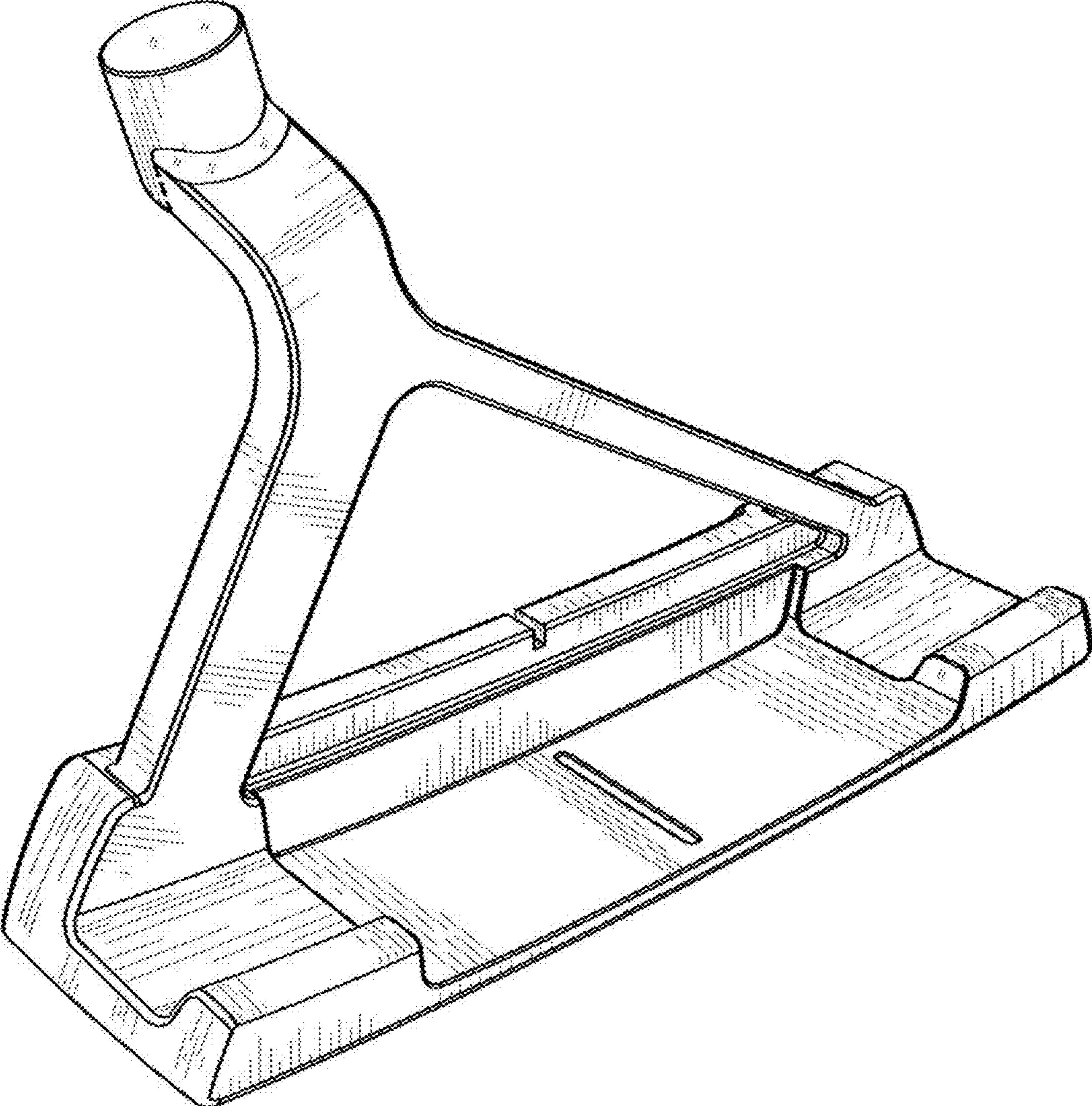


FIGURE 3

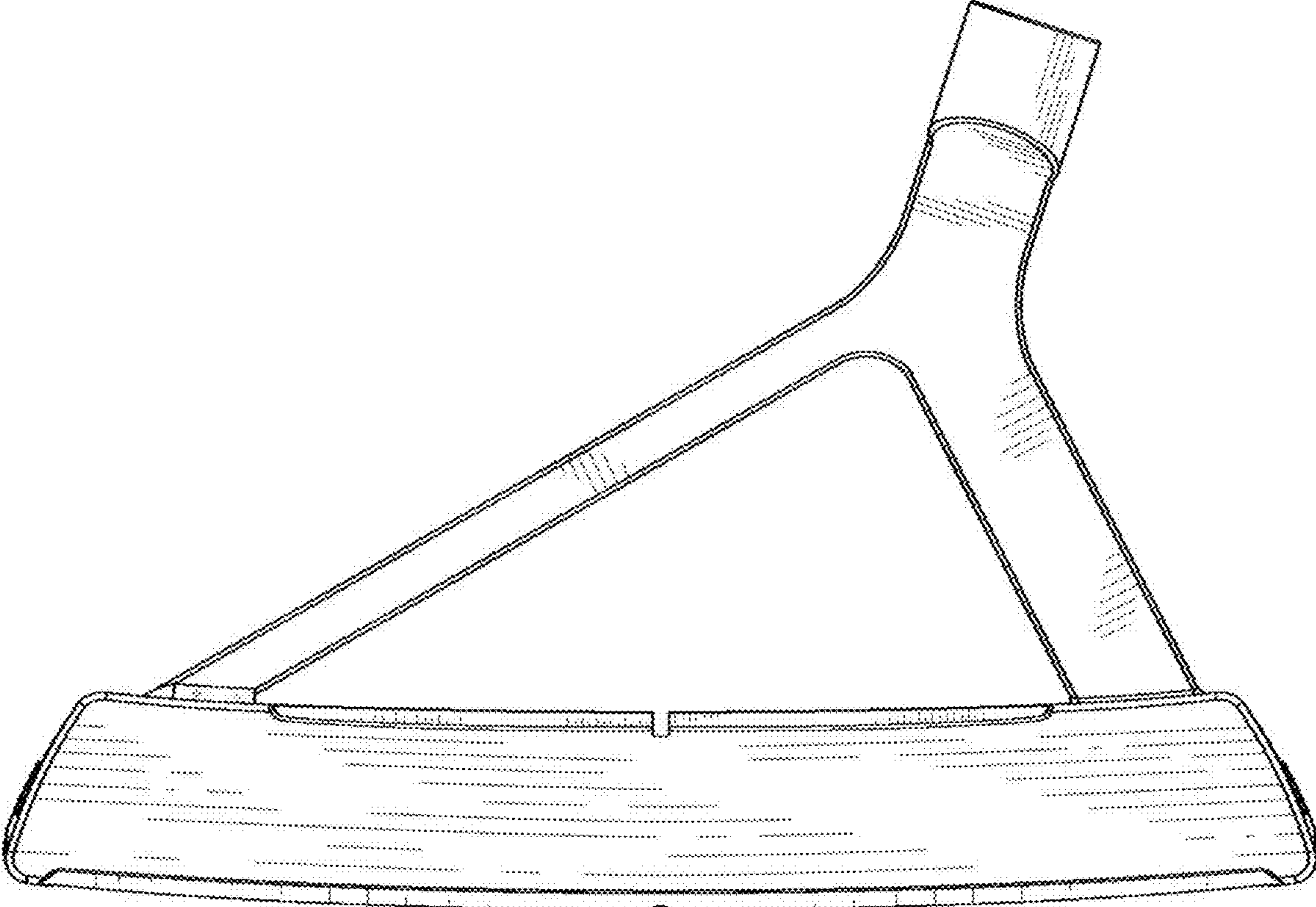


FIGURE 4

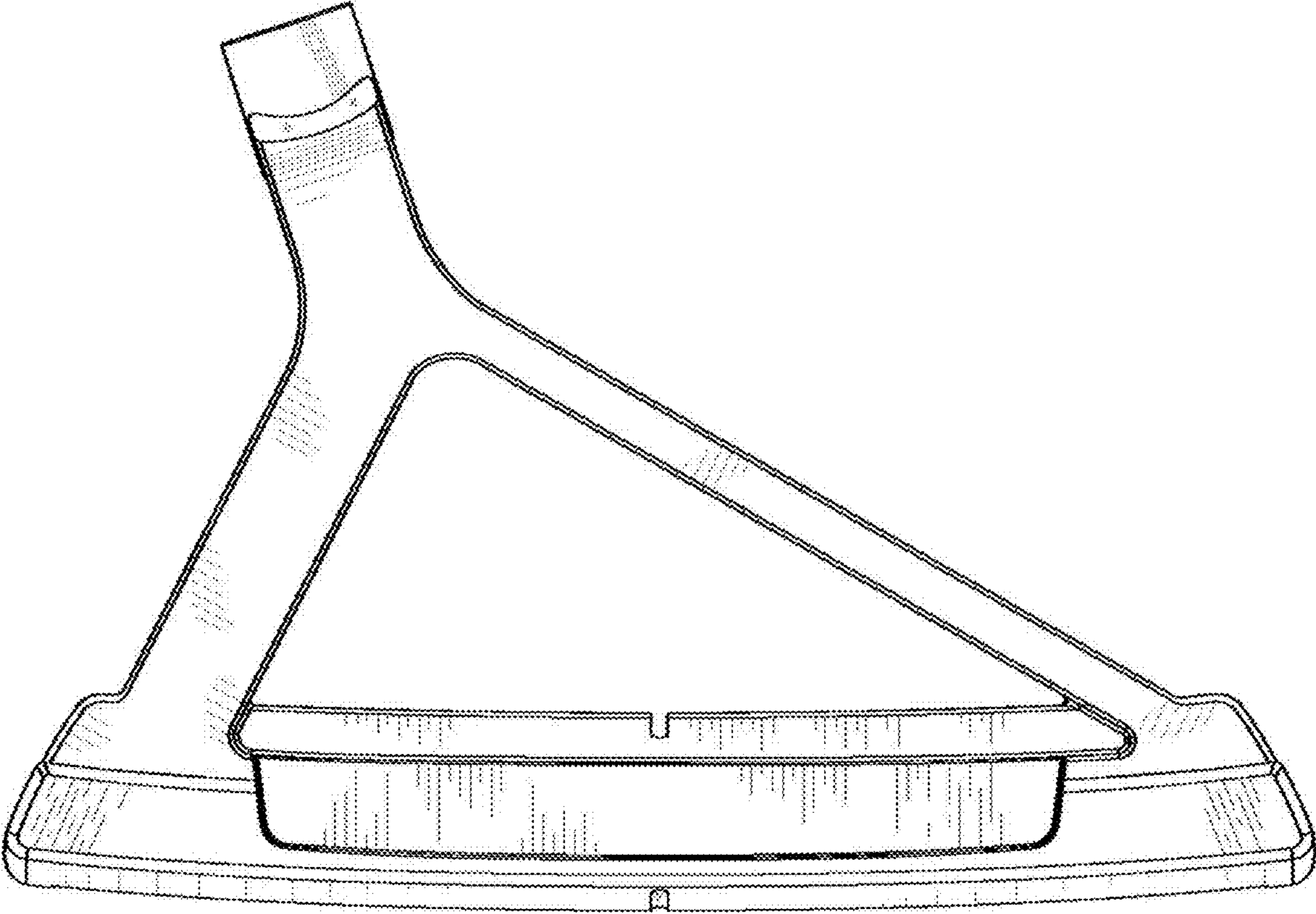


FIGURE 5

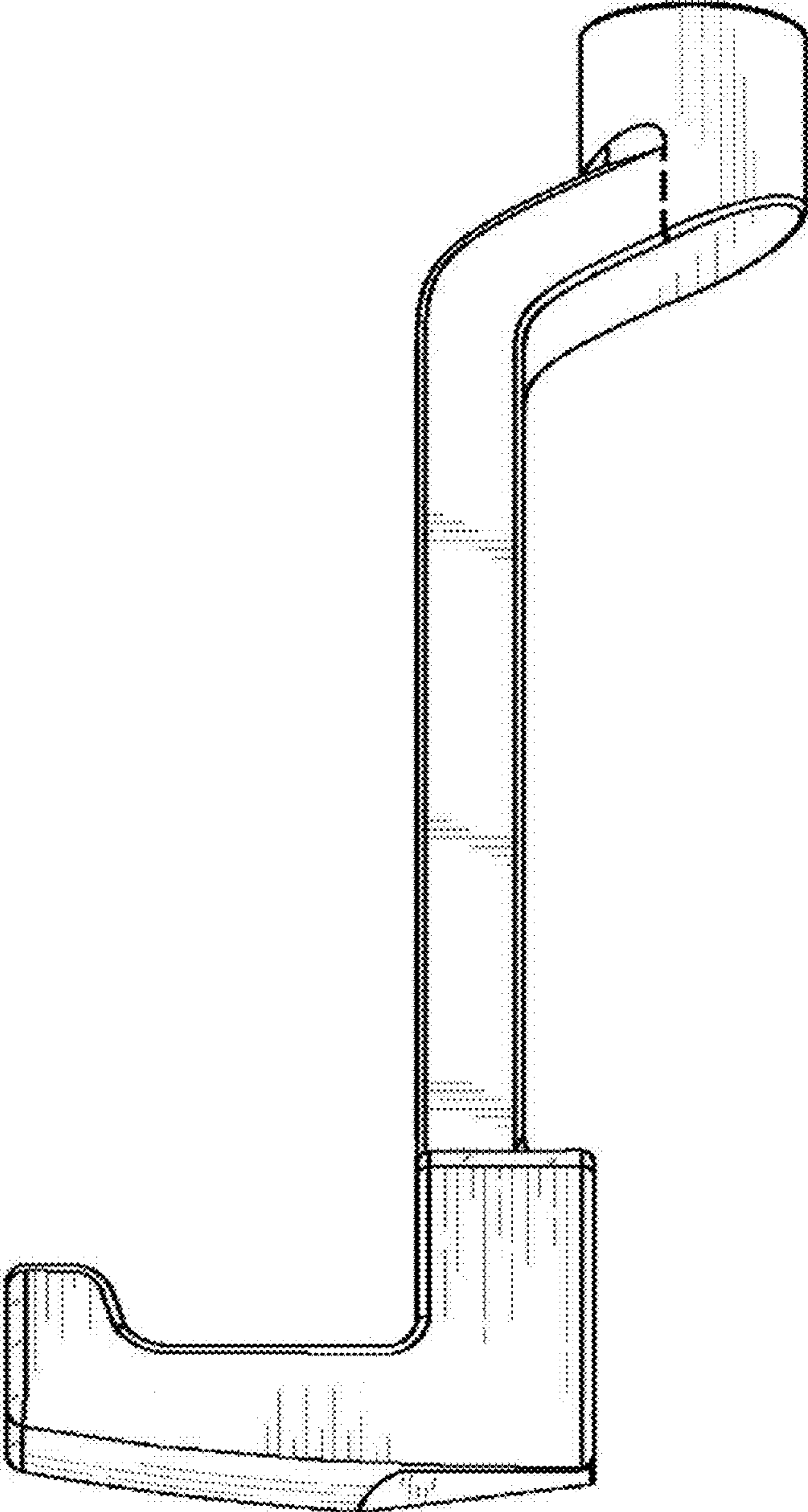


FIGURE 6

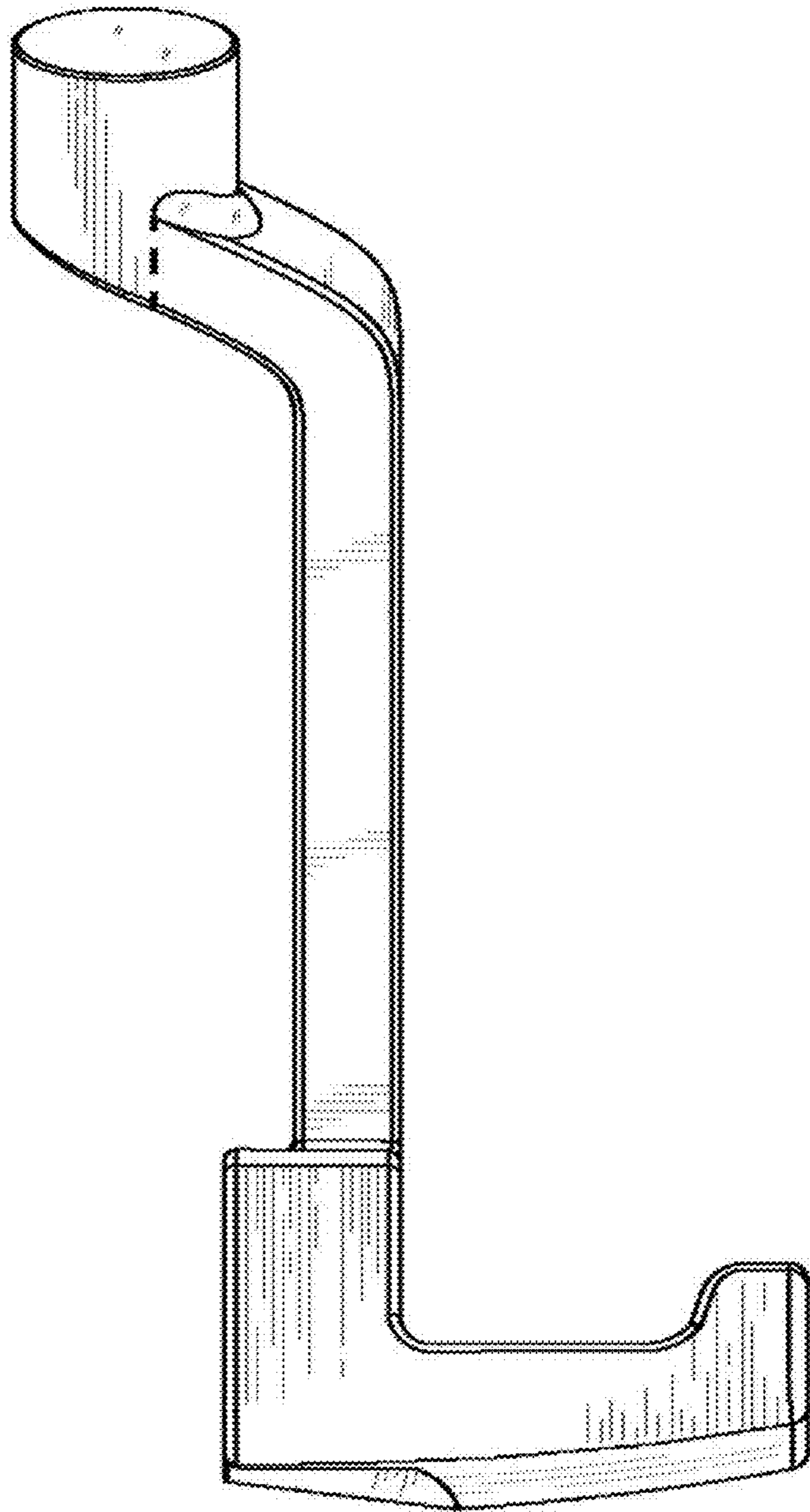


FIGURE 7

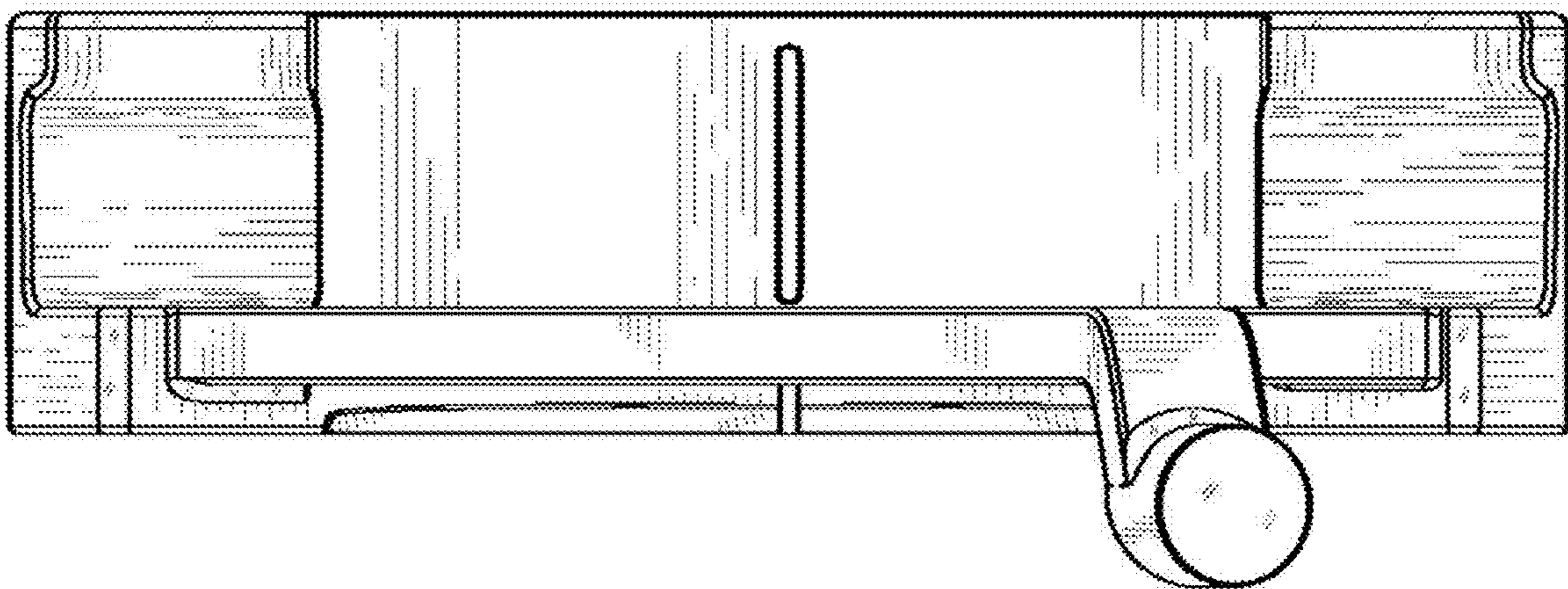


FIGURE 8

