



US00D728045S

(12) **United States Design Patent**
Hubler et al.

(10) **Patent No.:** **US D728,045 S**
(45) **Date of Patent:** **** Apr. 28, 2015**

- (54) **FRAME OF A TREADMILL**
- (71) Applicant: **Precor Incorporated**, Woodinville, WA (US)
- (72) Inventors: **Robert B. Hubler**, Woodinville, WA (US); **Weston VanWambeke**, Shoreline, WA (US)
- (73) Assignee: **Precor Incorporated**, Woodinville, WA (US)

(**) Term: **14 Years**

(21) Appl. No.: **29/484,698**

(22) Filed: **Mar. 12, 2014**

(51) **LOC (10) Cl.** **21-02**

(52) **U.S. Cl.**
USPC **D21/694**

(58) **Field of Classification Search**
 CPC A63B 2022/0214; A63B 2022/0221;
 A63B 22/208; A63B 2024/0093; A63B
 2071/009; A63B 22/0664; A63B 2022/0647;
 A63B 21/1484; A63B 22/0015; A63B
 24/0062; A63B 69/00
 USPC D21/437, 453, 477, 492, 662-672, 682,
 D21/685, 686, 694, 696; 482/4, 51, 52, 53,
 482/54, 57, 58, 59, 66, 68, 70, 71, 74, 96,
 482/98, 910; D6/341, 601, 582, 700, 701,
 D6/702; D12/122, 8, 9, 93, 178, 203;
 D8/303, 380, 381; D25/127; 472/43,
 472/48, 91, 136

See application file for complete search history.

(56) **References Cited**

U.S. PATENT DOCUMENTS

| | | | |
|------------|--------|---------------------|---------|
| D313,826 S | 1/1991 | Birrell et al. | D21/194 |
| D447,780 S | 9/2001 | Arnold et al. | D21/669 |

| | | | | |
|------------|---|---------|------------------------|---------|
| D482,085 S | * | 11/2003 | Eyler et al. | D21/694 |
| D546,909 S | * | 7/2007 | Flick | D21/694 |
| D557,359 S | | 12/2007 | Olason et al. | D21/696 |
| D557,360 S | | 12/2007 | Olason et al. | D21/696 |
| D559,342 S | * | 1/2008 | Moon | D21/694 |
| D579,992 S | * | 11/2008 | Cesaroni | D21/694 |
| D582,997 S | | 12/2008 | Olason et al. | D21/694 |
| D585,506 S | | 1/2009 | Olason et al. | D21/696 |
| D624,975 S | * | 10/2010 | Flick et al. | D21/696 |
| D682,372 S | * | 5/2013 | Alessandri et al. | D21/669 |

(Continued)

OTHER PUBLICATIONS

Internet search [date searched Feb. 3, 2015] Product brochure on URL <<http://files.precor.com/products/media/english/brochures/Sell-Sheets-TRM-835-WEB-01062015.pdf>>.*

Primary Examiner — Philip S Hyder

Assistant Examiner — Keith Frank

(74) *Attorney, Agent, or Firm* — Terence P. O'Brien

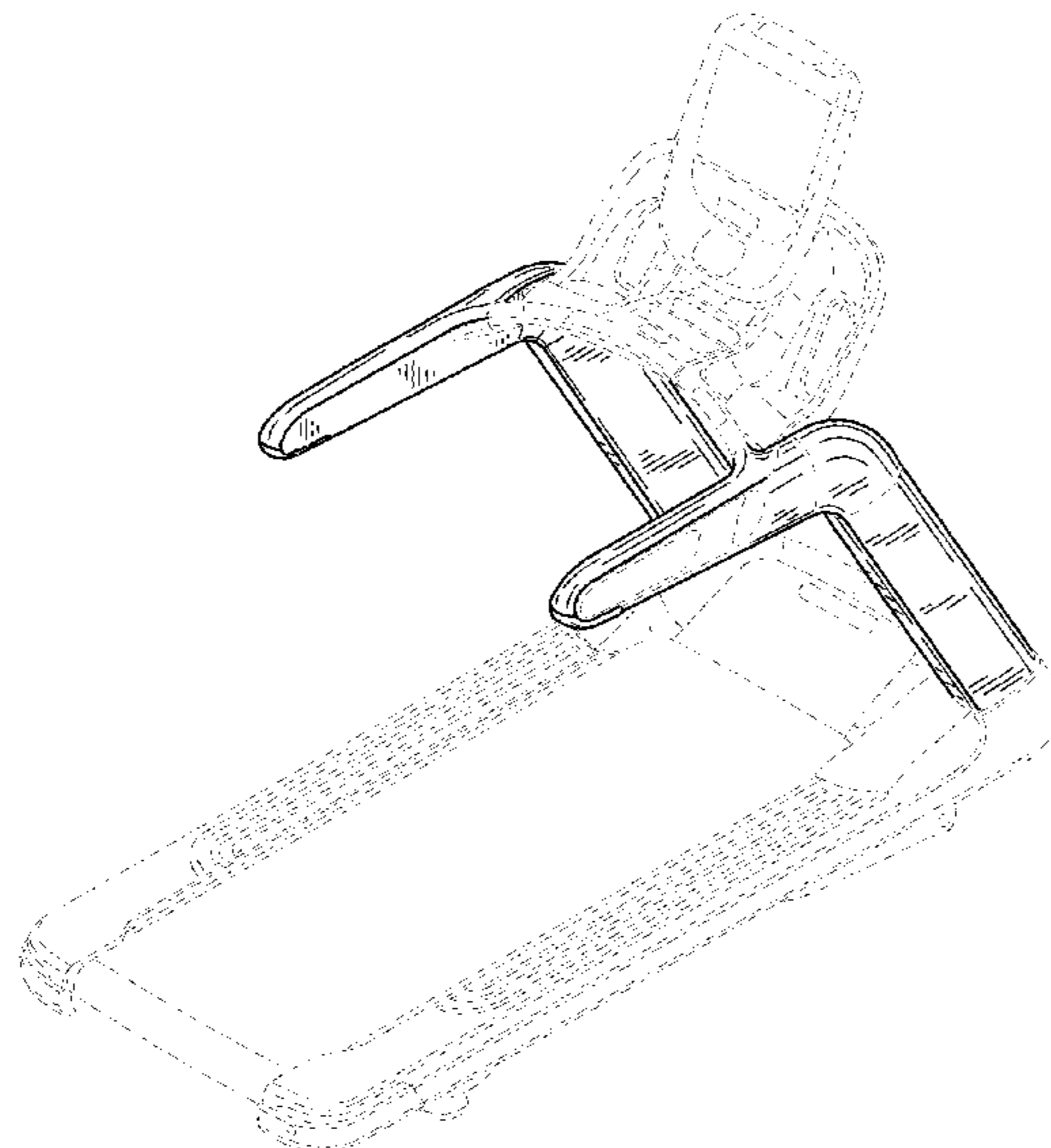
(57) **CLAIM**

We claim the ornamental design for a frame of a treadmill, as shown and described.

DESCRIPTION

FIG. 1 is a side, front perspective view of a frame of a treadmill;
 FIG. 2 is a first side view of the frame of a treadmill of FIG. 1;
 FIG. 3 is a second side view of the frame of a treadmill of FIG. 1;
 FIG. 4 is a front view of the frame of a treadmill of FIG. 1;
 FIG. 5 is a rear view of the frame of a treadmill of FIG. 1; and,
 FIG. 6 is a top view of the frame of a treadmill of FIG. 1.
 The ornamental design that is claimed is shown in solid lines in the drawings. The broken (dashed) lines shown in the figures are included for the purpose of illustrating environmental elements only and form no part of the claimed design.

1 Claim, 5 Drawing Sheets



(56)

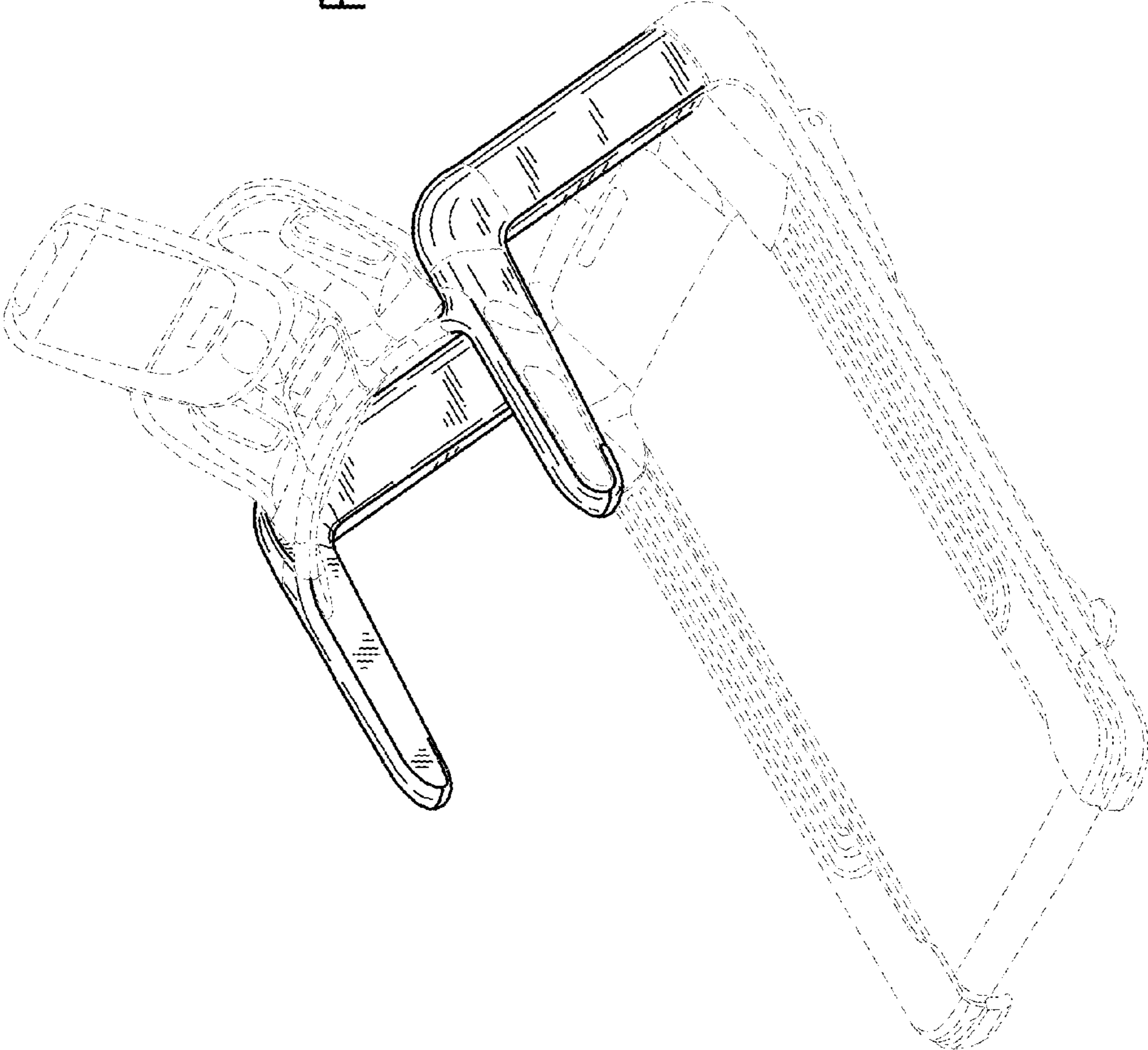
References Cited

U.S. PATENT DOCUMENTS

| | | | | | | | |
|------------------|---------|----------------------|---------|------------------|---------|------------------------|--------|
| D691,672 S * | 10/2013 | Nichols et al. | D21/437 | 2008/0182726 A1* | 7/2008 | Wu | 482/54 |
| D703,291 S * | 4/2014 | Vedantam et al. | D23/221 | 2008/0312048 A1* | 12/2008 | Cassano | 482/54 |
| 2008/0119332 A1* | 5/2008 | Roman | 482/54 | 2009/0088301 A1* | 4/2009 | Alling | 482/54 |
| | | | | 2010/0029444 A1* | 2/2010 | Lo | 482/54 |
| | | | | 2010/0279827 A1* | 11/2010 | Farnsworth et al. | 482/54 |

* cited by examiner

FIG. 1



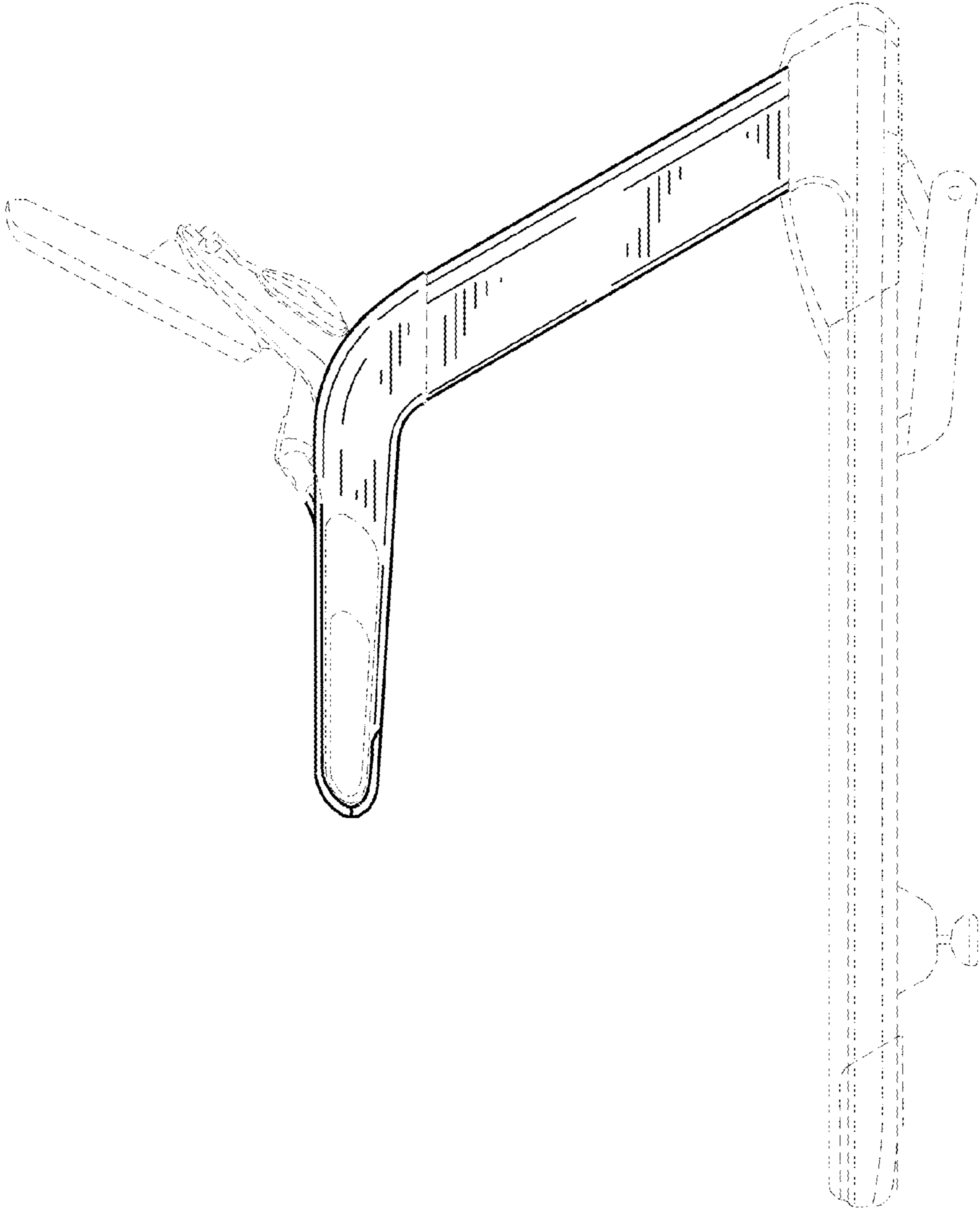


FIG. 2

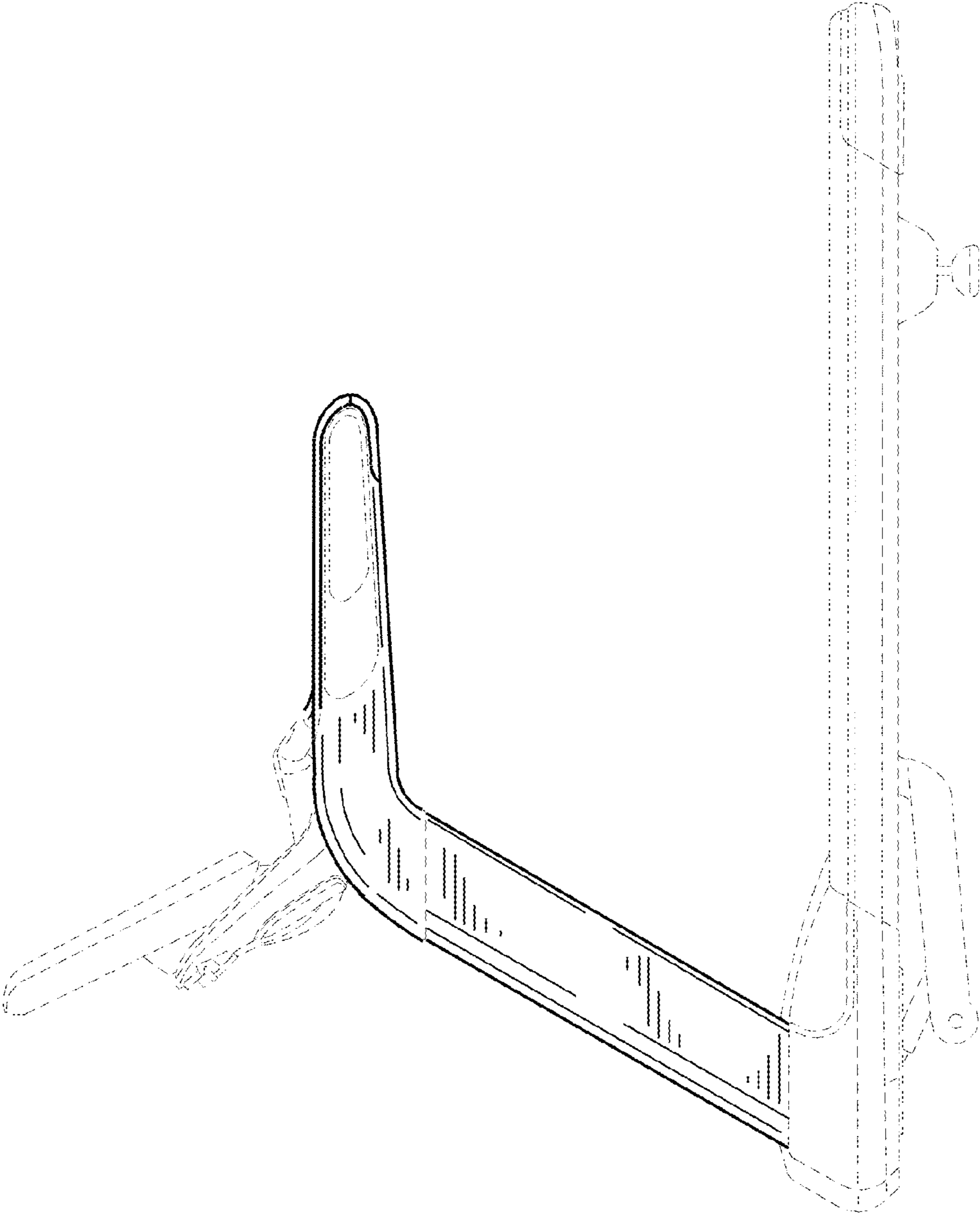


FIG. 3

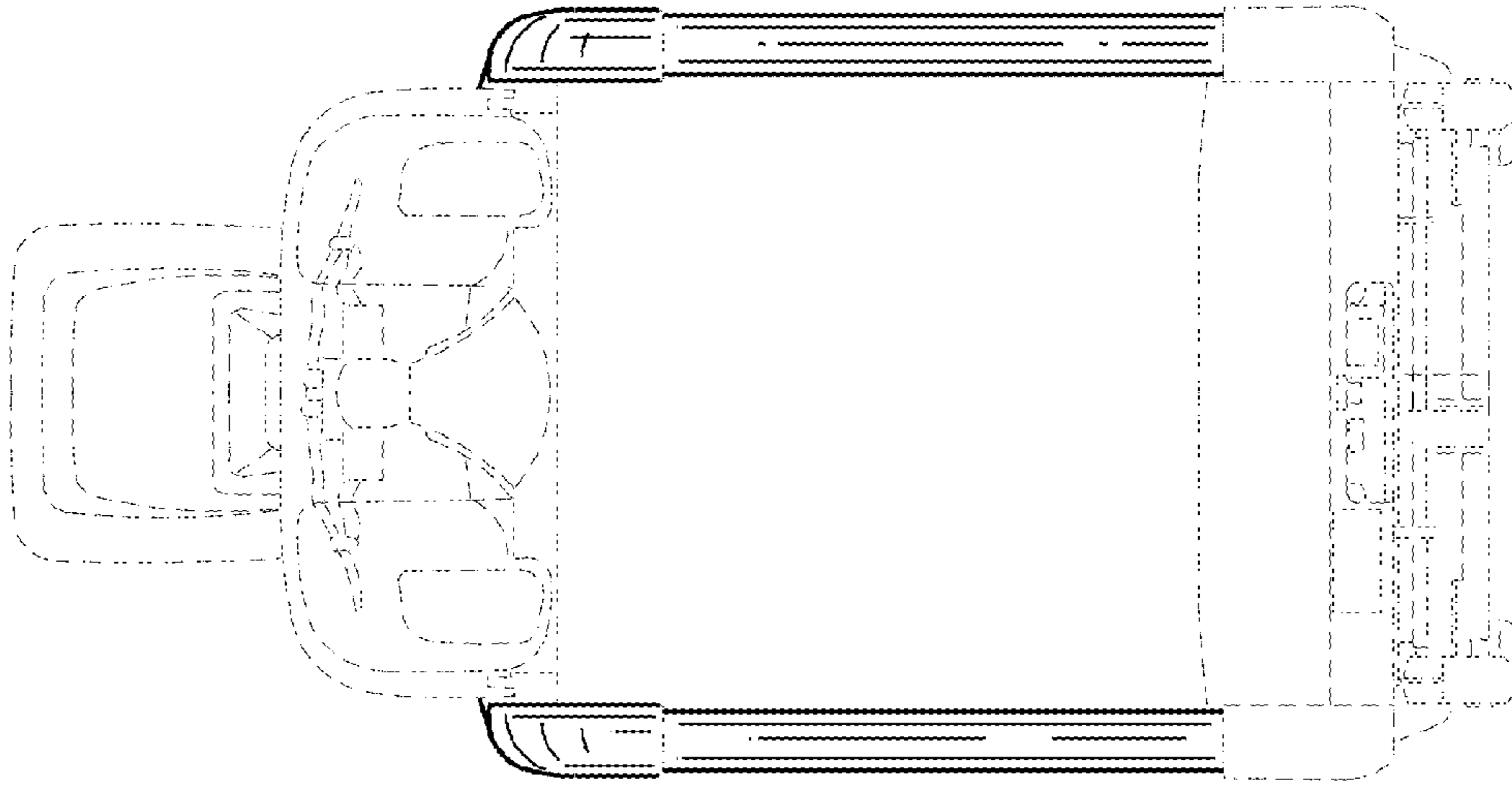


FIG. 5

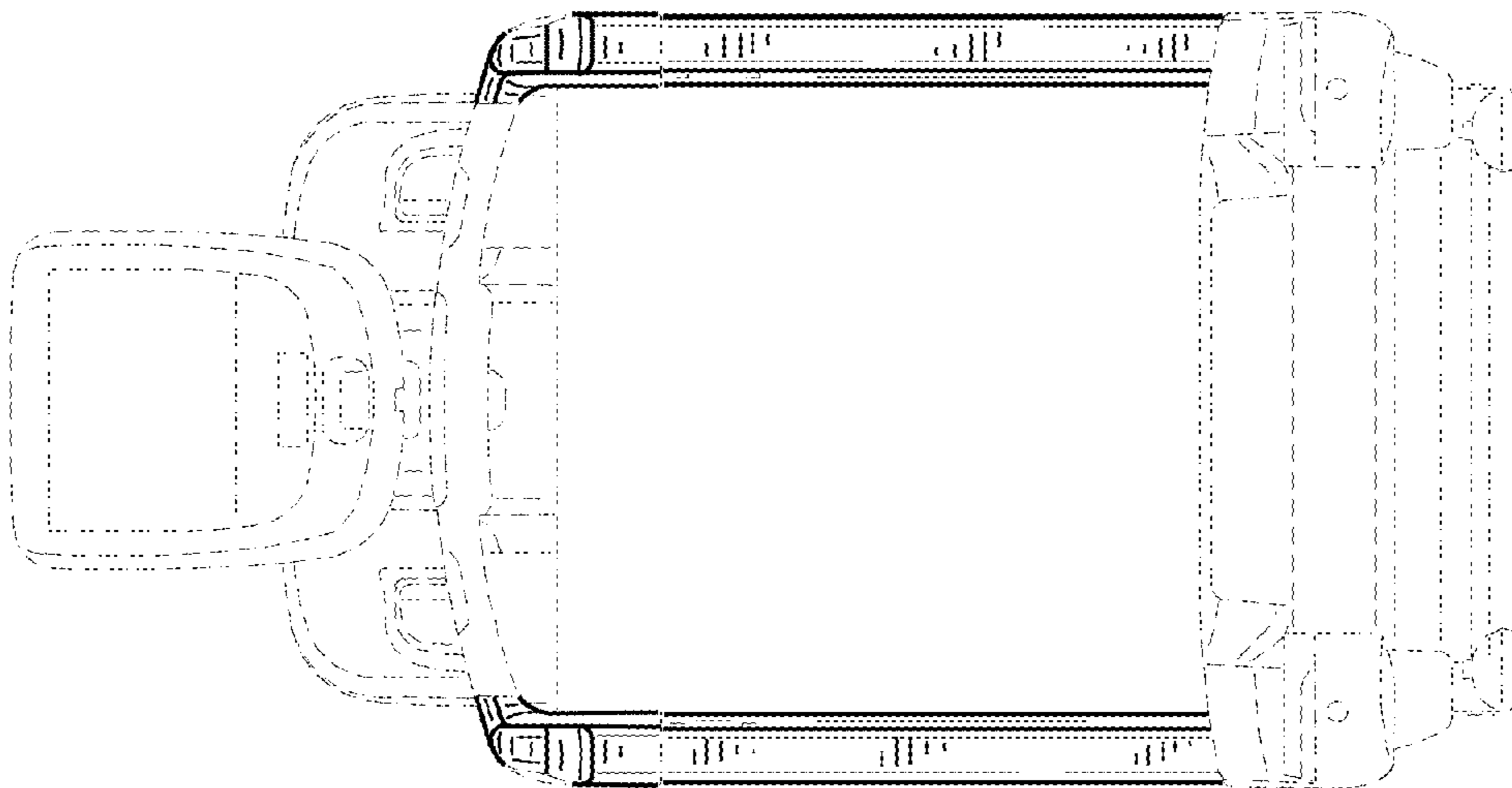


FIG. 4

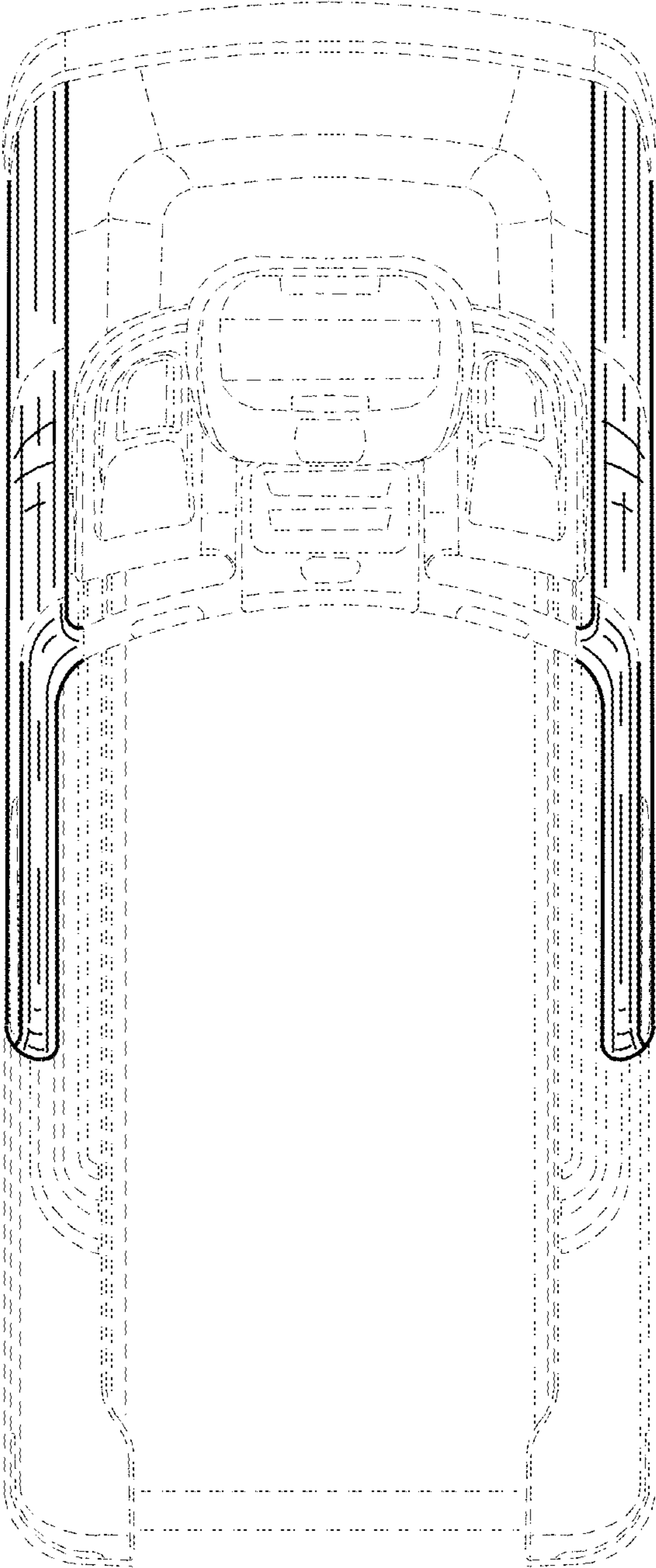


FIG. 6