



US00D728044S

(12) **United States Design Patent**  
**Boatwright**

(10) **Patent No.:** **US D728,044 S**

(45) **Date of Patent:** **\*\* Apr. 28, 2015**

(54) **EXERCISE BAND CONNECTOR**

D559,089 S \* 1/2008 Goodman et al. .... D8/372  
D561,847 S \* 2/2008 Glickman et al. .... D21/500  
D564,819 S \* 3/2008 Fosburg et al. .... D6/569

(71) Applicant: **Donald Jeffrey Boatwright**, Charlotte,  
NC (US)

\* cited by examiner

(72) Inventor: **Donald Jeffrey Boatwright**, Charlotte,  
NC (US)

*Primary Examiner* — Phillip S Hyder

(74) *Attorney, Agent, or Firm* — Schwartz Law Firm, P.C.

(\*\*) Term: **14 Years**

(21) Appl. No.: **29/444,204**

(22) Filed: **Jan. 28, 2013**

(51) **LOC (10) Cl.** ..... **21-02**

(52) **U.S. Cl.**

USPC ..... **D21/694**; D8/382

(58) **Field of Classification Search**

USPC ..... D21/662, 673, 694, 693, 486, 500;  
D8/349, 354, 372, 382, 383, 386;  
D15/28, 29; D11/218; D12/159, 160,  
D12/161, 162; 482/91, 148, 121, 123

See application file for complete search history.

(56) **References Cited**

**U.S. PATENT DOCUMENTS**

2,860,788	A	*	11/1958	Hardman	.....	211/85.3
D205,184	S	*	7/1966	Johnson	.....	D6/407
D253,737	S	*	12/1979	Brink	.....	D6/552
D304,984	S	*	12/1989	French	.....	D6/552
D371,483	S	*	7/1996	Haarmeyer et al.	.....	D6/520
D417,115	S	*	11/1999	Creel	.....	D6/567
D494,048	S	*	8/2004	Goodman et al.	.....	D8/372

(57) **CLAIM**

I claim the ornamental design for an exercise band connector,  
as shown and described.

**DESCRIPTION**

FIG. 1 is a perspective view of an exercise band connector  
according to the present design;

FIG. 2 is a top view of the exercise band connector;

FIG. 3 is a front view of the exercise band connector, the back  
view being a mirror image thereof;

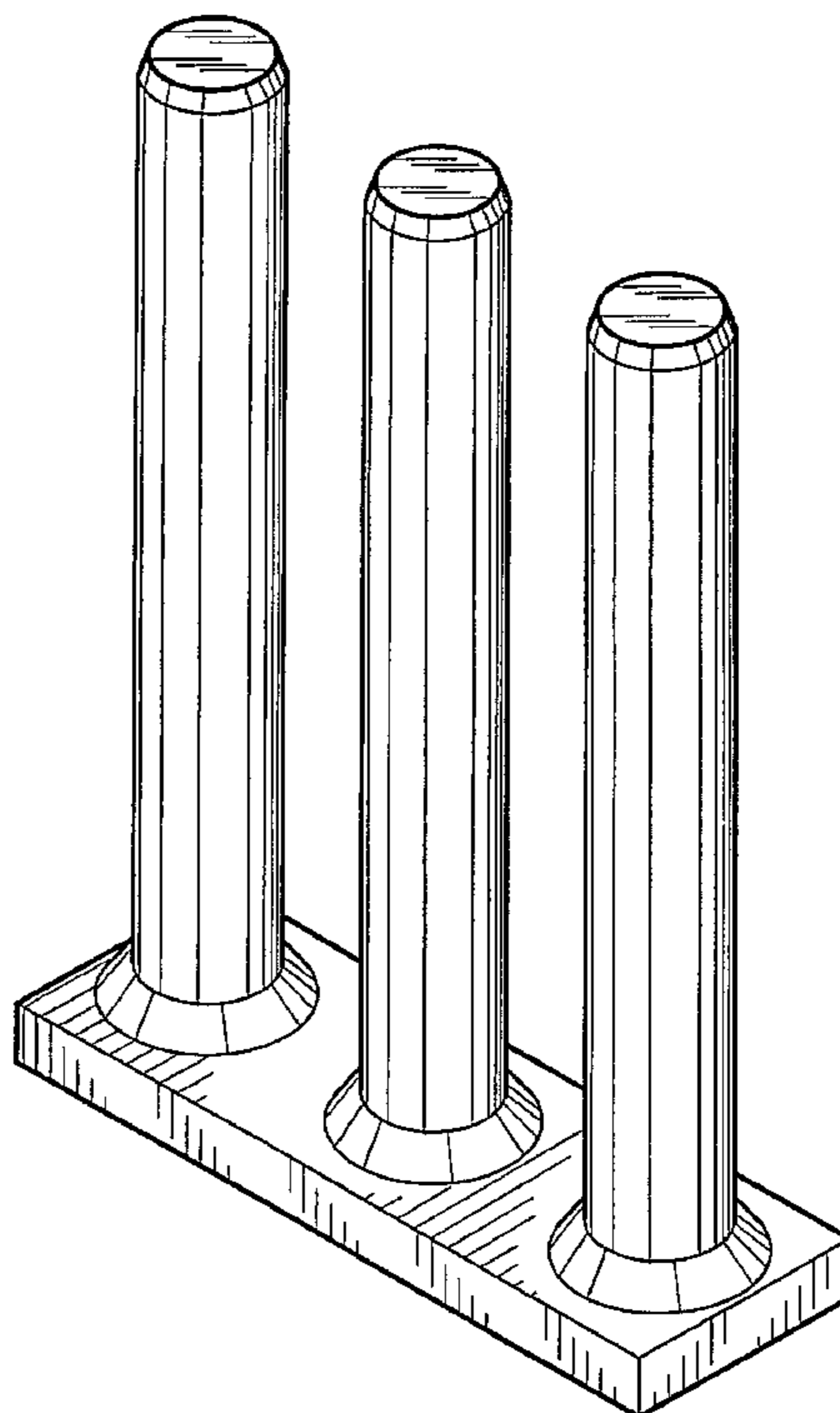
FIG. 4 is a bottom view of the exercise band connector;

FIG. 5 is a left side view of the exercise band connector, the  
right side being a mirror image thereof;

FIG. 6 is a perspective view of the exercise band connector  
with a portion of an exercise resistance band shown in phan-  
tom lines, the exercise resistance band forming no part of the  
claimed design; and,

FIG. 7 is a further view of the exercise band connector with a  
portion of the exercise resistance band shown in phantom  
lines, the exercise resistance band forming no part of the  
claimed design.

**1 Claim, 3 Drawing Sheets**



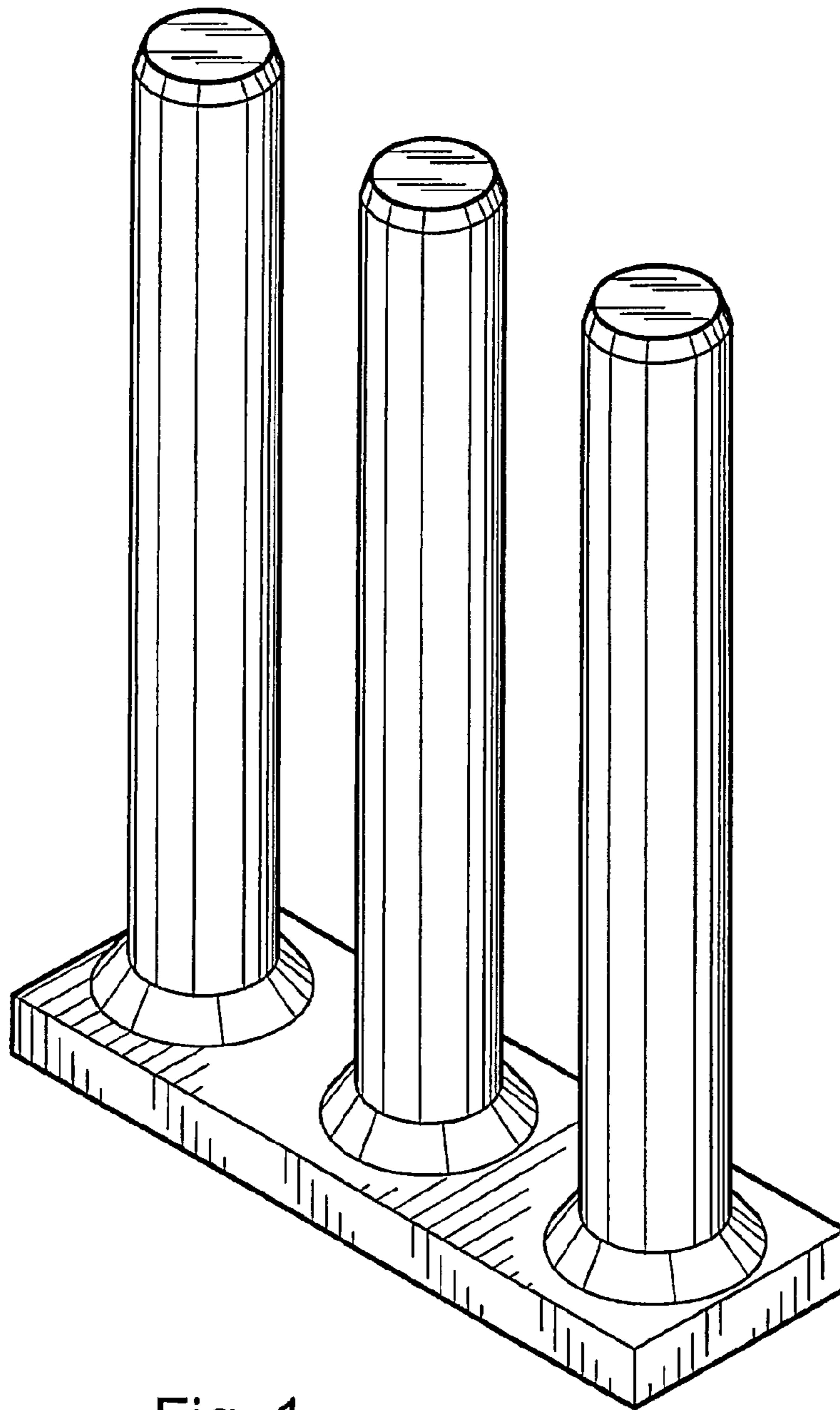


Fig. 1

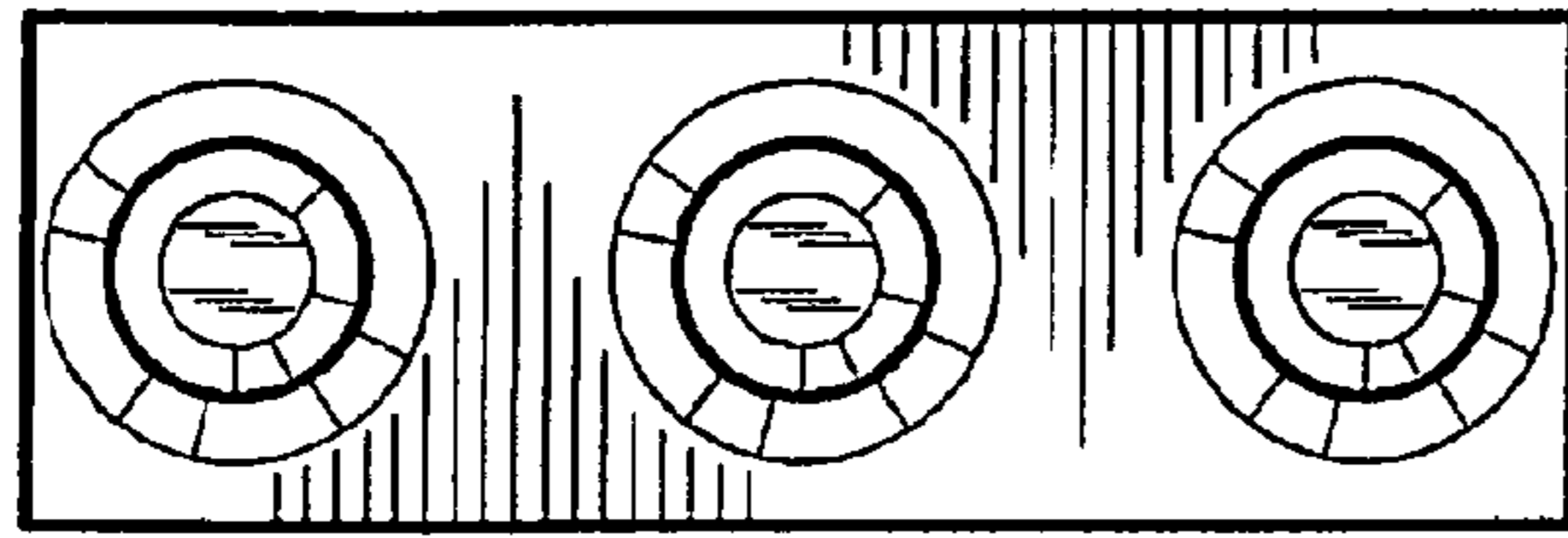


Fig. 2

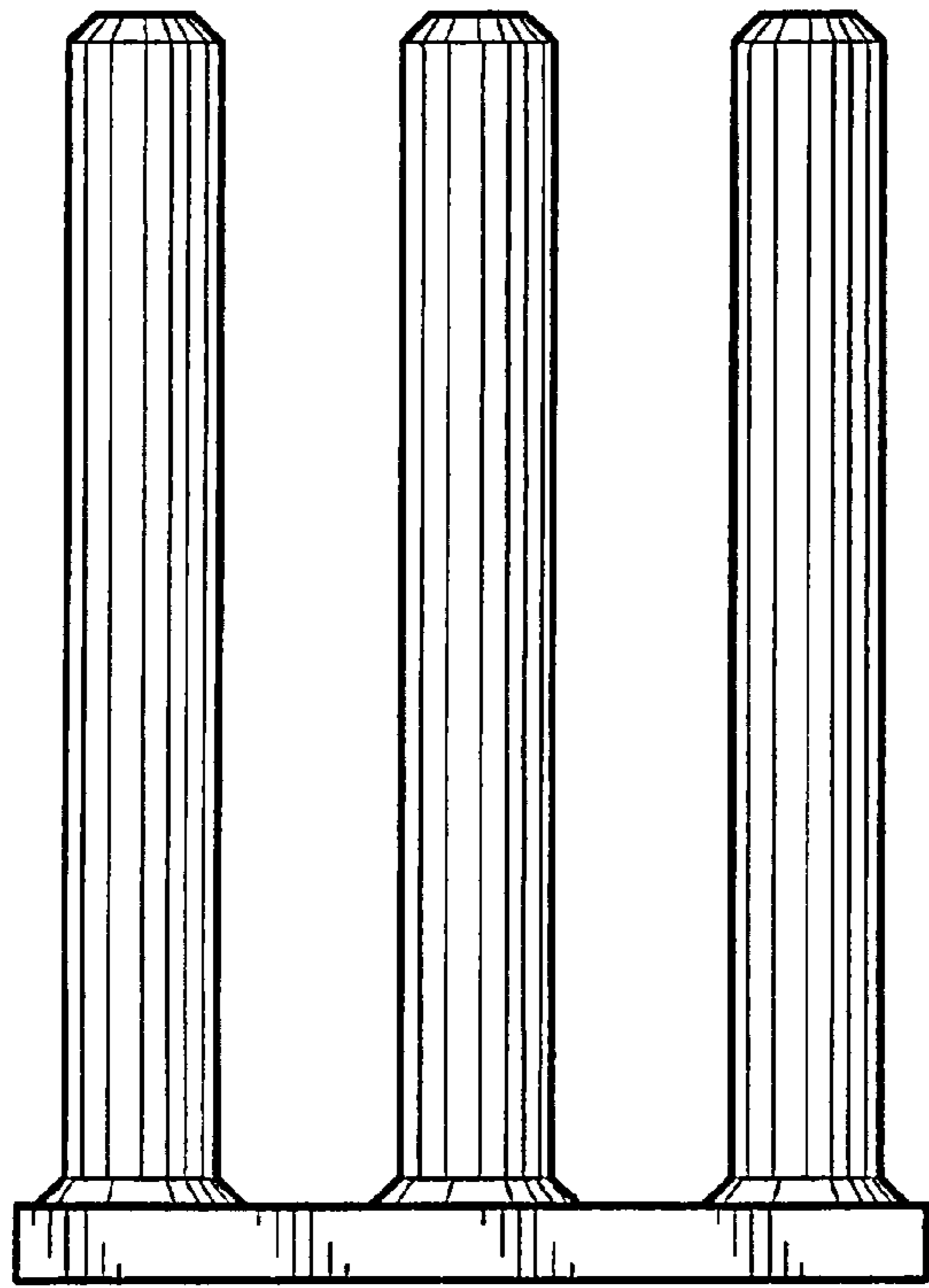


Fig. 3

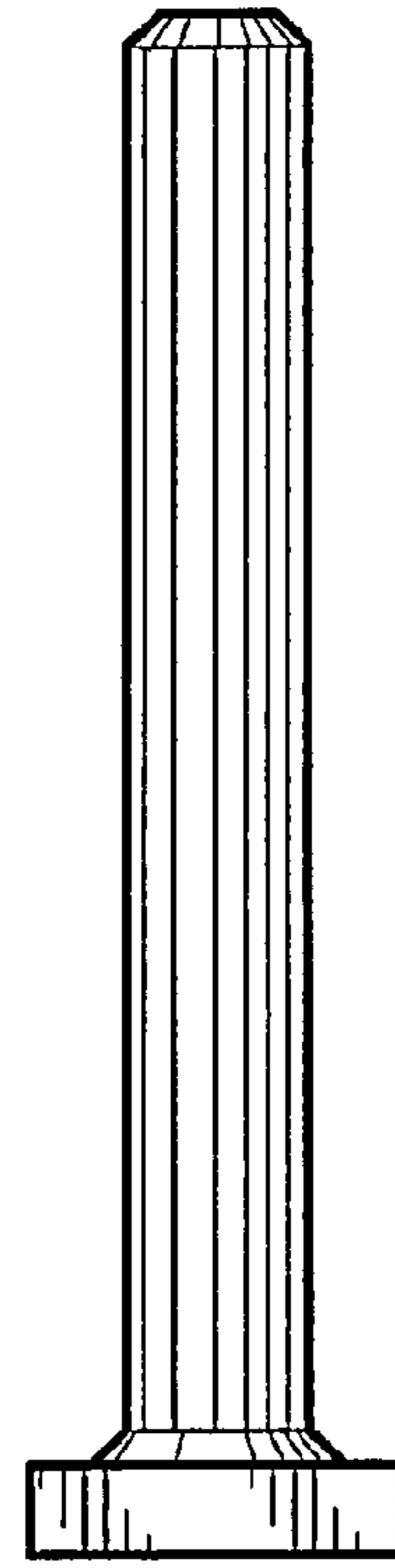


Fig. 5

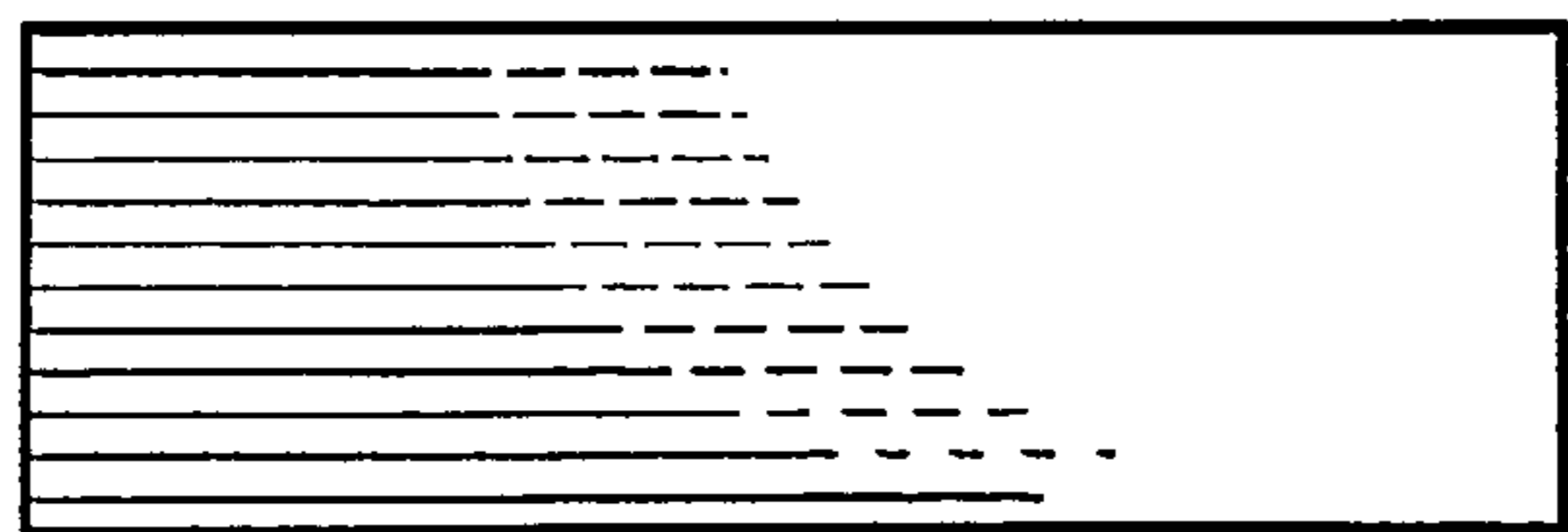


Fig. 4

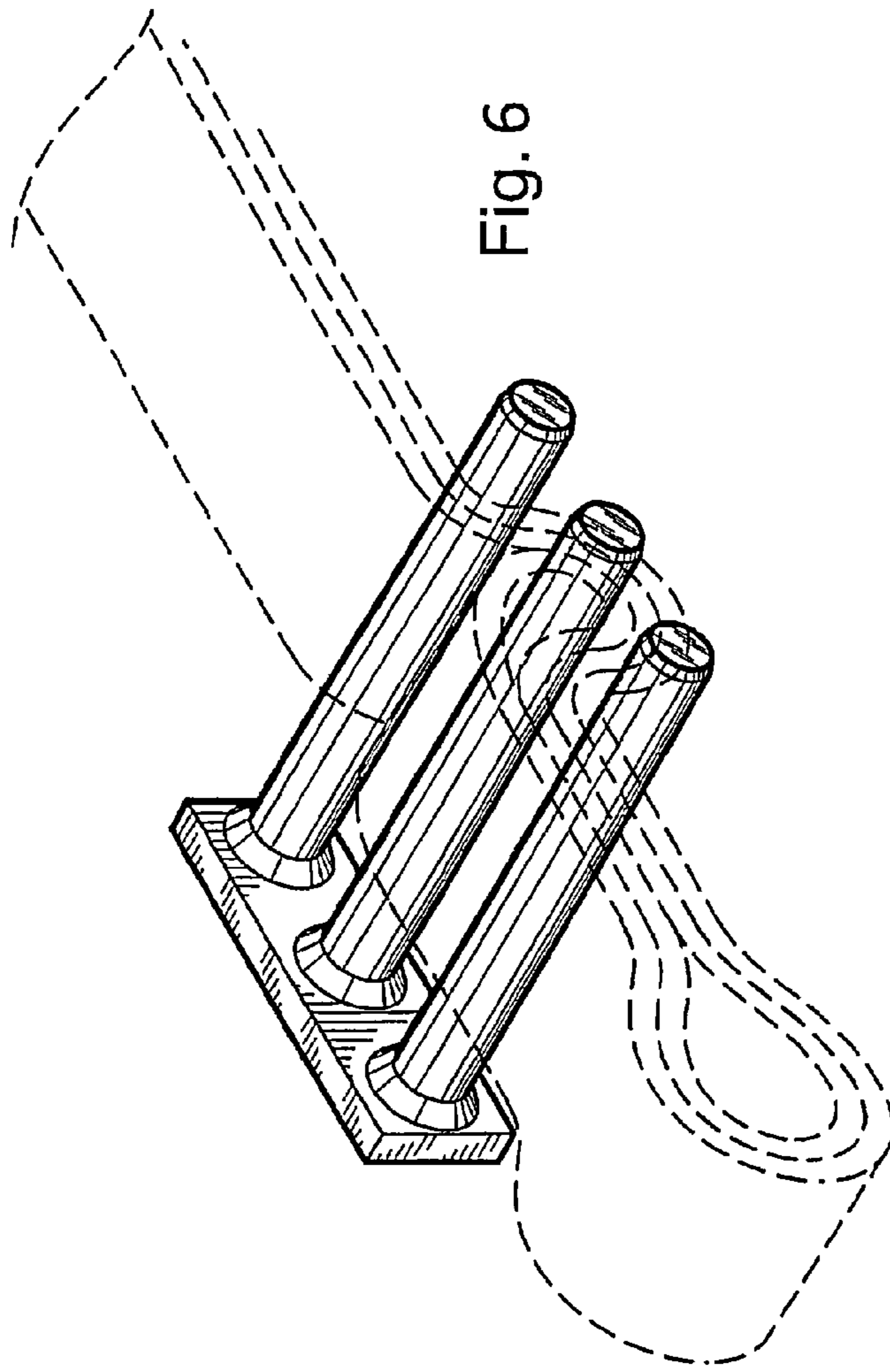


Fig. 6

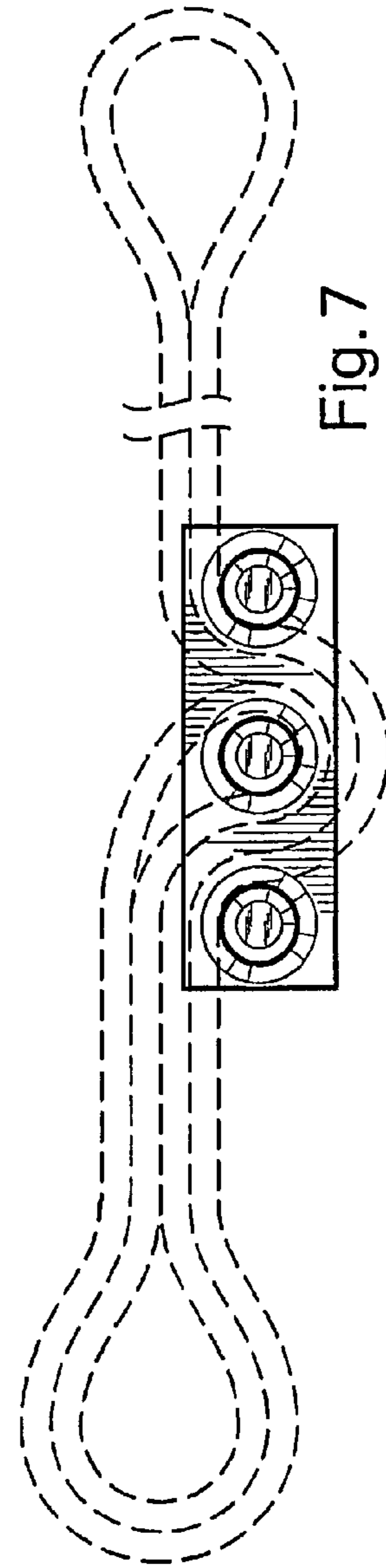


Fig. 7