



US00D728043S

(12) **United States Design Patent**  
**Hetzel**

(10) **Patent No.:** **US D728,043 S**

(45) **Date of Patent:** **\*\* Apr. 28, 2015**

(54) **ABDOMINAL MUSCLE EXERCISE APPARATUS**

(71) Applicant: **John Hetzel**, Fairview Heights, IL (US)

(72) Inventor: **John Hetzel**, Fairview Heights, IL (US)

(\*\*) Term: **14 Years**

(21) Appl. No.: **29/467,229**

(22) Filed: **Sep. 17, 2013**

(51) **LOC (10) Cl.** ..... **21-02**

(52) **U.S. Cl.**  
USPC ..... **D21/687**

(58) **Field of Classification Search**  
USPC ..... 482/142, 122, 115, 108, 145, 140, 105, 482/111, 123, 121, 126, 141, 143, 148, 106, 482/130, 129, 132, 96, 131, 133, 124, 110, 482/127, 72, 147, 51, 71, 139, 97, 92, 137, 482/98, 1, 907, 95, 112; 206/315.1, 45.2; D21/687, 662, 690, 676, 423, 691, D21/686; 273/449; 472/103; 297/259.1, 297/16.1, 175, 445.1, 353; 446/482; 607/48, 149, 77, 148; 140/121, 122, 140/123, 124, 90; 601/24; D24/190; D6/601

See application file for complete search history.

(56) **References Cited**

**U.S. PATENT DOCUMENTS**

4,089,520	A	5/1978	Ozbey et al.	
D254,562	S	3/1980	Pearo	
4,696,467	A	9/1987	Markow	
D299,387	S *	1/1989	Ansaldo	D6/335
4,856,775	A	8/1989	Colledge et al.	
D331,167	S *	11/1992	Skold	D6/601
D353,173	S *	12/1994	Almeda	D21/687
D355,002	S *	1/1995	Bengtson	D21/687
D355,458	S *	2/1995	Chen	D21/673
5,540,642	A *	7/1996	Sprague	482/123
D380,705	S *	7/1997	Fenton et al.	D12/11
D386,449	S *	11/1997	Fenton et al.	D12/11

5,709,634	A *	1/1998	Pointer	482/105
D391,314	S	2/1998	Cordero	
5,730,688	A *	3/1998	Prusick	482/130
5,913,756	A	6/1999	Glaser	
D419,918	S *	2/2000	Haley et al.	D12/11
6,022,303	A	2/2000	Abdo	
6,309,329	B2	10/2001	Conner	
D480,439	S *	10/2003	Verheem et al.	D21/686
D507,312	S *	7/2005	Nishiyama et al.	D21/690
7,108,642	B1 *	9/2006	Stearns	482/140
D545,928	S *	7/2007	Huang	D21/690
D554,380	S *	11/2007	Weatherly et al.	D6/349
D573,209	S	7/2008	Ellison	
7,494,454	B2	2/2009	Sheets	
D599,864	S *	9/2009	McMillan	D21/690

(Continued)

*Primary Examiner* — Robert M Spear

*Assistant Examiner* — Ryan Harvey

(74) *Attorney, Agent, or Firm* — Woodard, Emhardt, Moriarty, McNett & Henry LLP

(57) **CLAIM**

The ornamental design for an abdominal muscle exercise apparatus, as shown and described.

**DESCRIPTION**

FIG. 1 is a perspective view of an abdominal muscle exercise apparatus.

FIG. 2 is a left view of the abdominal muscle exercise apparatus.

FIG. 3 is top view of the abdominal muscle exercise apparatus.

FIG. 4 is a front view of the abdominal muscle exercise apparatus.

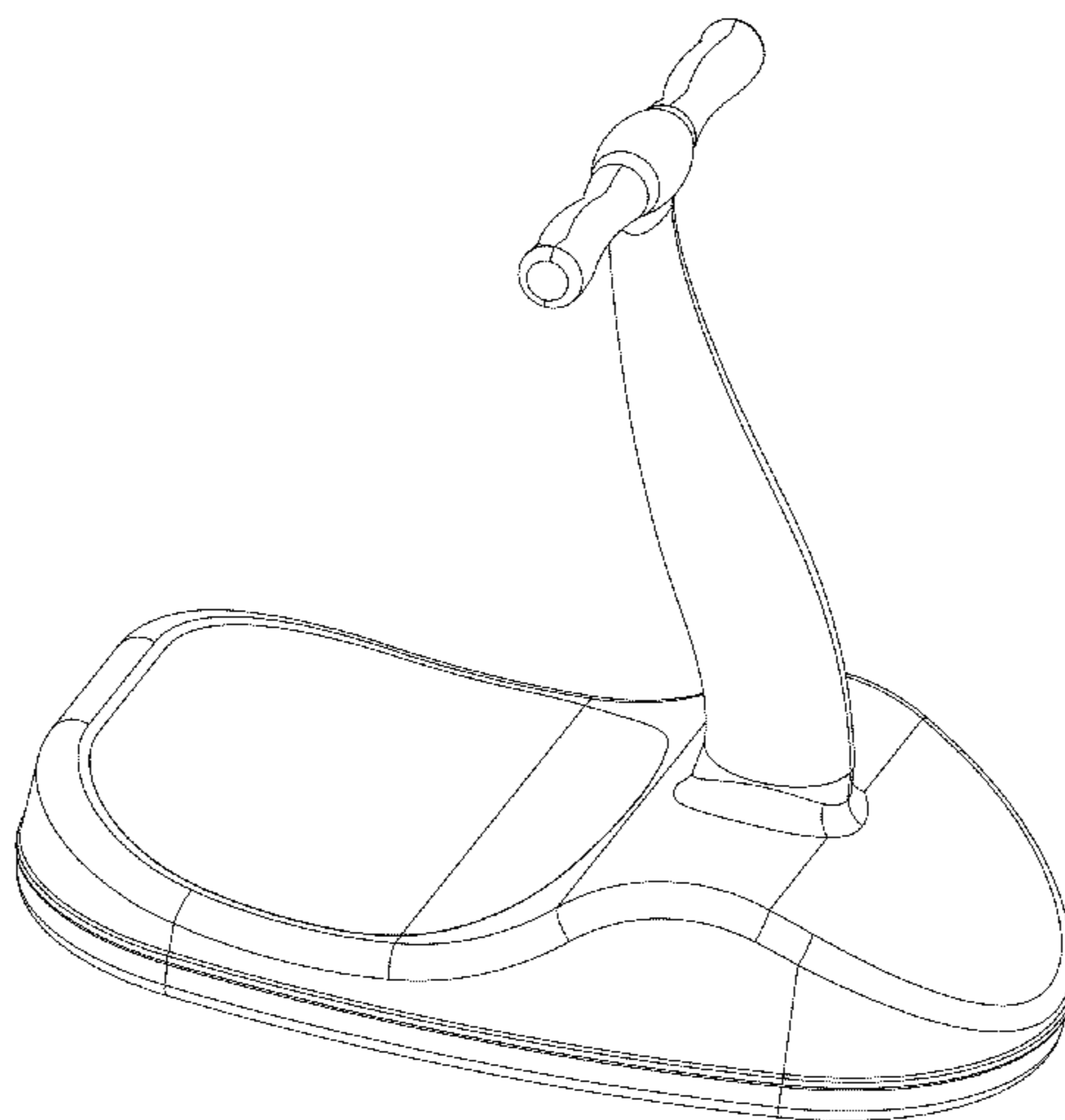
FIG. 5 is right view of the abdominal muscle exercise apparatus.

FIG. 6 is a bottom view of the abdominal muscle exercise apparatus.

FIG. 7 is a rear view of the abdominal muscle exercise apparatus; and,

FIG. 8 shows a perspective view of the embodiment of FIG. 1 with the handle in a rotated position.

**1 Claim, 8 Drawing Sheets**



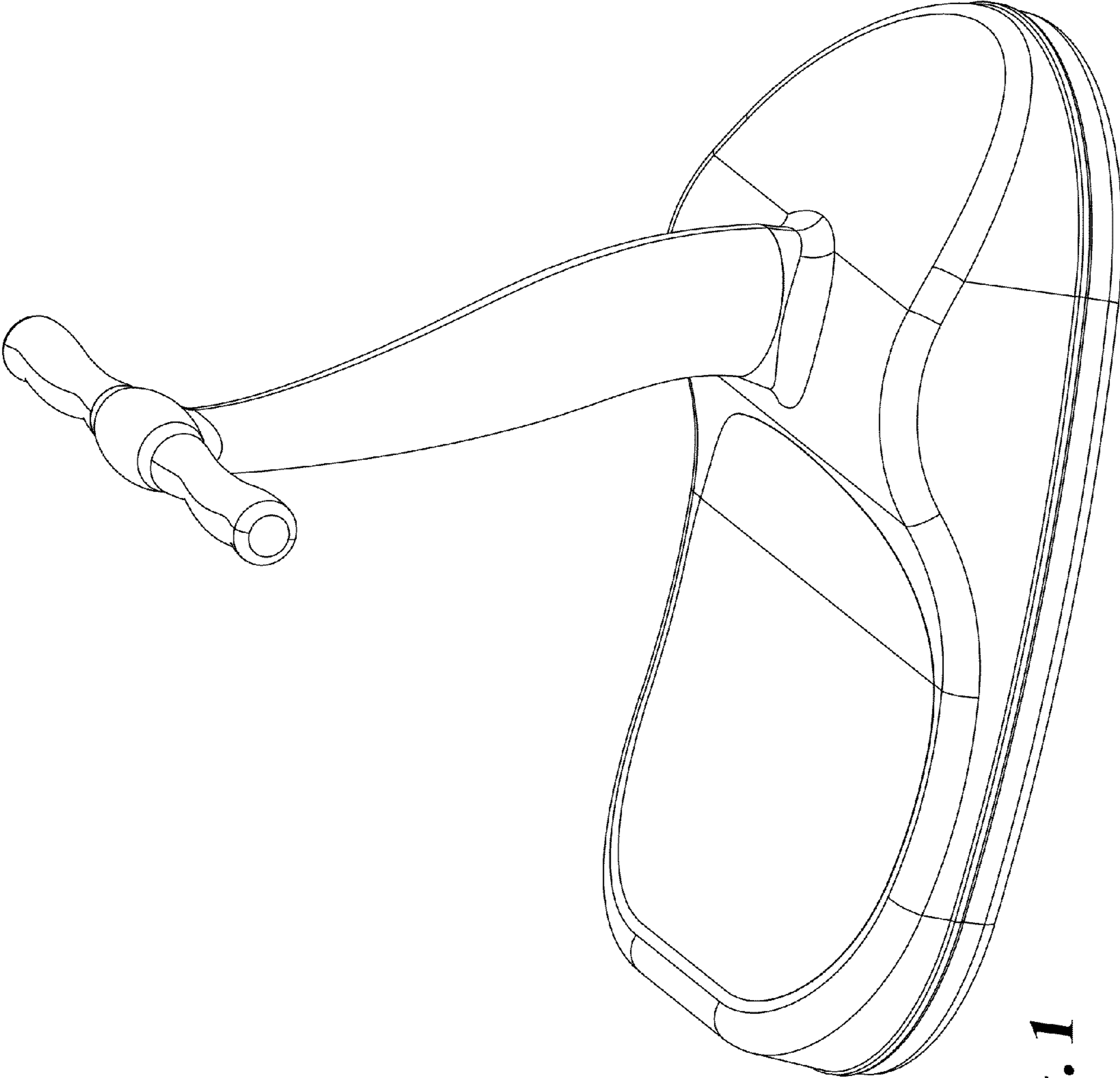
(56)

**References Cited**

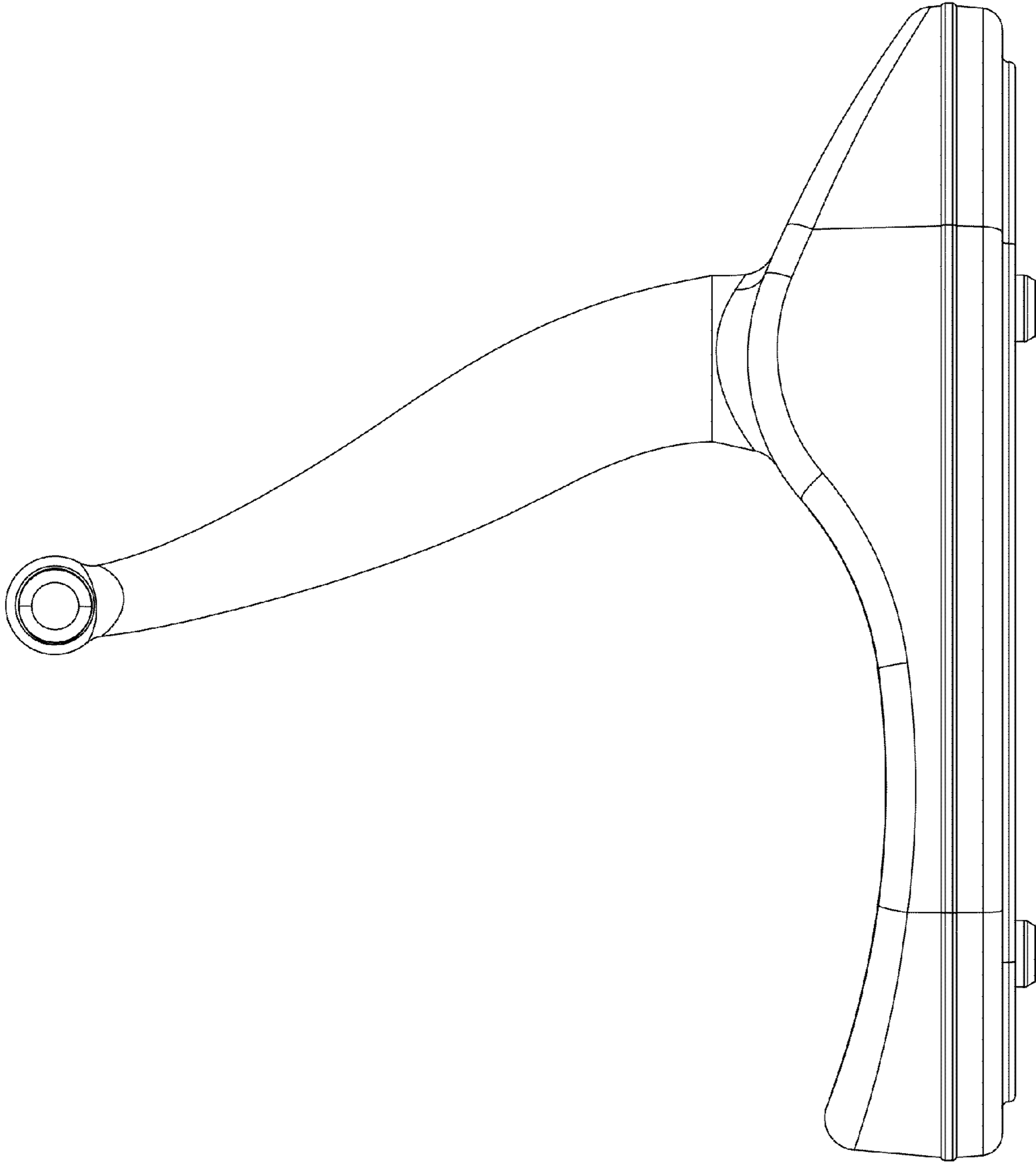
U.S. PATENT DOCUMENTS

7,658,700 B2 *	2/2010	Maloy et al. ....	482/132	7,850,586 B2 *	12/2010	Verheem .....	482/142
7,666,127 B2	2/2010	Sheets		D638,076 S *	5/2011	Minter .....	D21/662
7,762,937 B2 *	7/2010	Younane et al. ....	482/140	D642,639 S *	8/2011	Tsai .....	D21/689
7,789,817 B2	9/2010	Wang		8,092,354 B2	1/2012	Oller, Jr.	
D627,014 S	11/2010	Gustin		8,323,160 B2 *	12/2012	Splane .....	482/147
				D714,007 S *	9/2014	La Rovere et al. ....	D32/70
				2006/0128540 A1 *	6/2006	Engle .....	482/123
				2012/0316042 A1 *	12/2012	Carlson .....	482/140

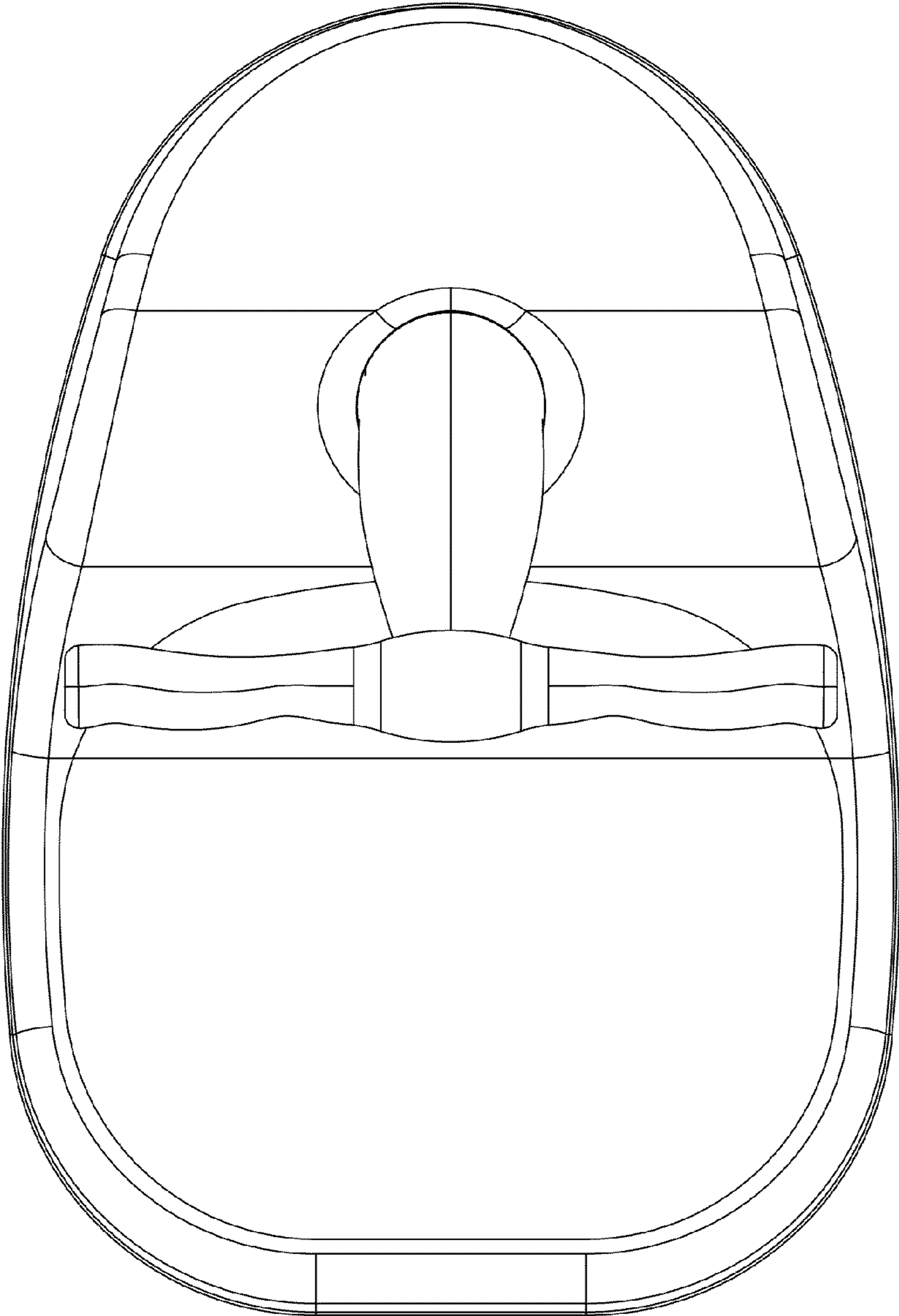
\* cited by examiner



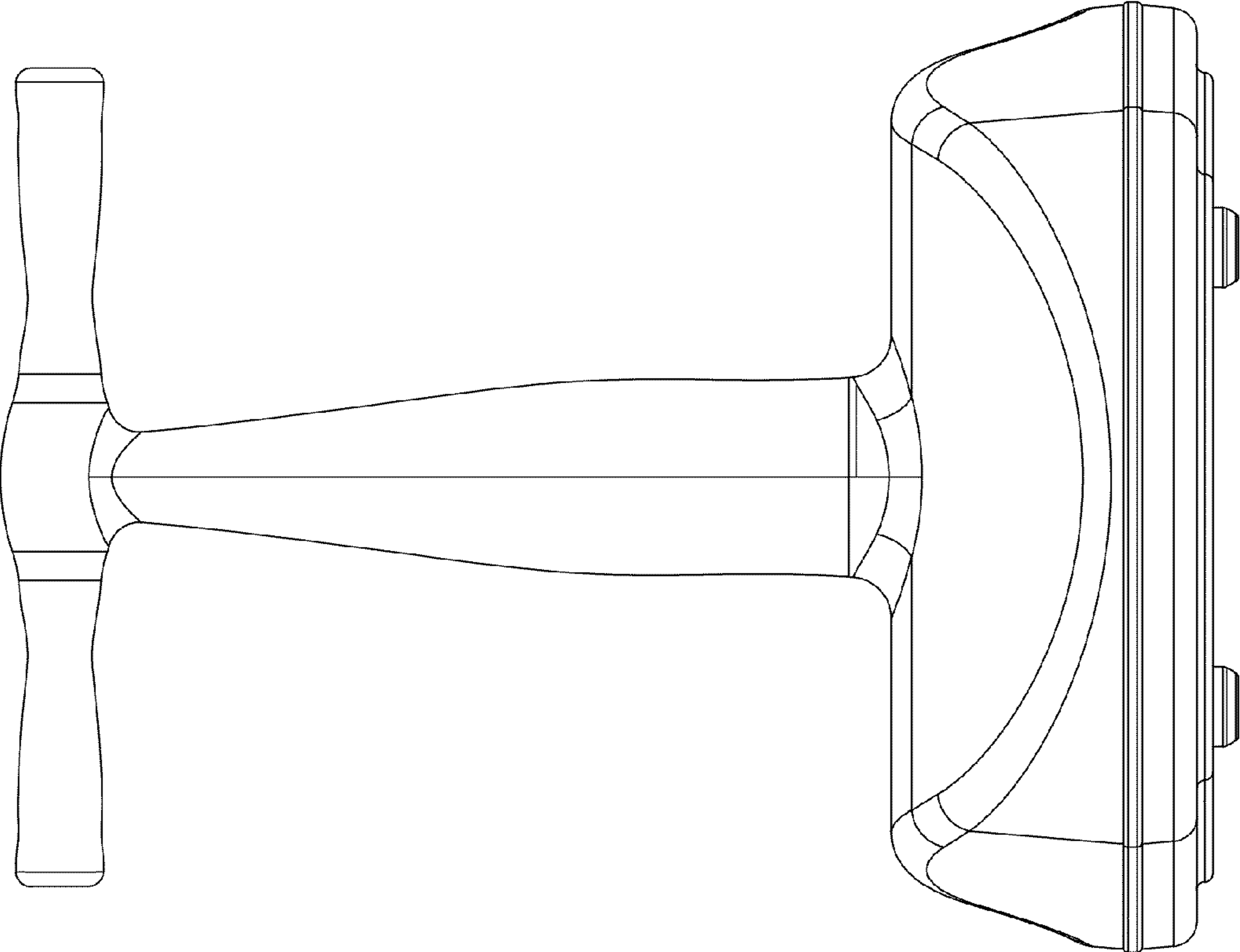
**Fig. 1**



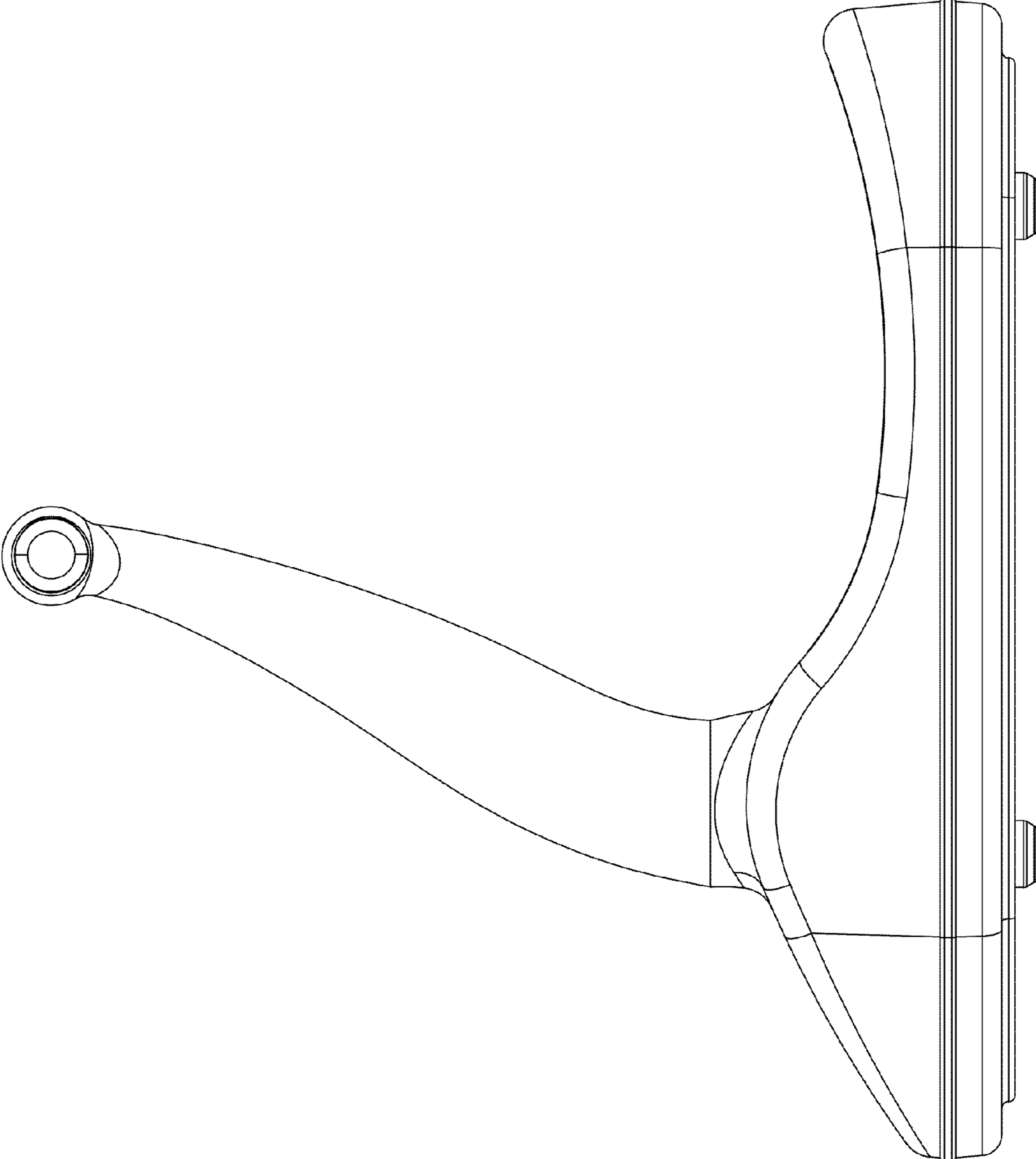
**Fig. 2**



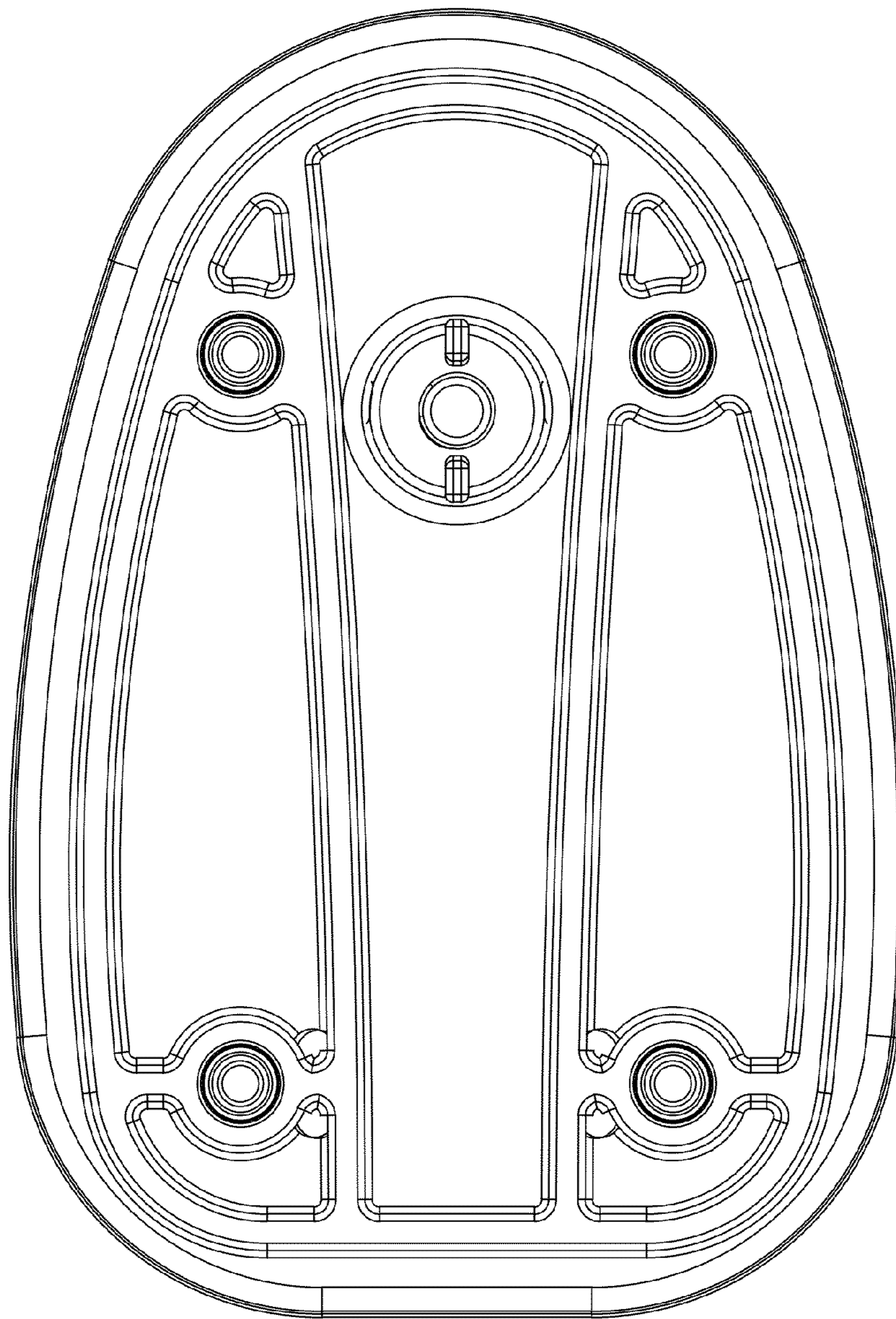
**Fig. 3**



**Fig. 4**



**Fig. 5**



**Fig. 6**



FIGURE 7

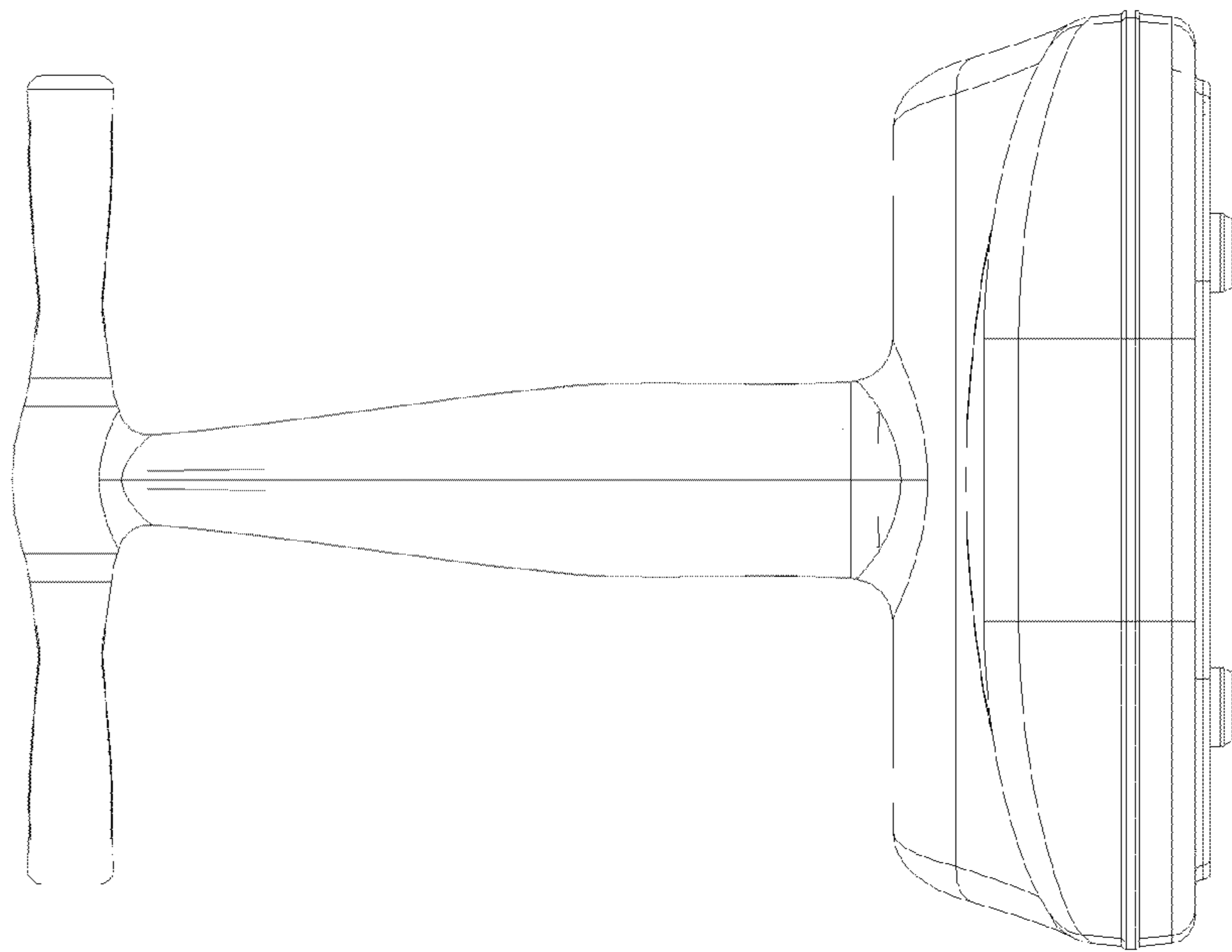


FIGURE 8

