



US00D728041S

(12) **United States Design Patent**
Kervin

(10) **Patent No.:** **US D728,041 S**
(45) **Date of Patent:** **** Apr. 28, 2015**

(54) **SOFT SHOULDER WEIGHT DEVICE**

(71) Applicant: **Bruce Kervin**, Hot Springs, AR (US)

(72) Inventor: **Bruce Kervin**, Hot Springs, AR (US)

(**) Term: **14 Years**

(21) Appl. No.: **29/451,735**

(22) Filed: **Apr. 8, 2013**

(51) **LOC (10) Cl.** **21-02**

(52) **U.S. Cl.**
USPC **D21/683**; D21/662

(58) **Field of Classification Search**
USPC D21/662, 680, 681, 682, 683;
D29/101.1, 101.2, 101.3, 101.4;
482/92, 93, 96, 105, 148
See application file for complete search history.

(56) **References Cited**

U.S. PATENT DOCUMENTS

| | | | | | |
|-----------|------|---------|--------------|-------|-----------|
| 3,322,425 | A * | 5/1967 | Moore | | 482/105 |
| 3,679,107 | A * | 7/1972 | Perrine | | 224/201 |
| 4,213,605 | A * | 7/1980 | McPeak | | 482/105 |
| D277,519 | S * | 2/1985 | Silberman | | D29/101.2 |
| D293,354 | S * | 12/1987 | Nelson | | D21/683 |
| 4,722,524 | A * | 2/1988 | Waszkelewicz | | 482/106 |
| 4,986,536 | A * | 1/1991 | Zane | | 482/106 |
| 5,211,615 | A * | 5/1993 | Sides | | 482/105 |
| 5,472,398 | A * | 12/1995 | Silverman | | 482/105 |
| 5,957,818 | A * | 9/1999 | Betournay | | 482/105 |
| 7,261,677 | B2 * | 8/2007 | Åhman | | 482/105 |

* cited by examiner

Primary Examiner — Phillip S Hyder

(74) *Attorney, Agent, or Firm* — Rashauna A. Norment

(57) **CLAIM**

The ornamental design of a soft shoulder weight device, as described and shown.

DESCRIPTION

FIG. 1 is a perspective view of a soft shoulder weight device, showing my new design, in use with the chest strap connectors shown in an open position, and with the neck strap connectors and the underarm strap connectors each shown in a closed position.

FIG. 2 is a front elevation view of FIG. 1 thereof.

FIG. 3 is a rear elevation view of FIG. 1 thereof.

FIG. 4 is a left side elevation view of FIG. 1 thereof, the right side elevation view is a mirror image of the left side elevation view.

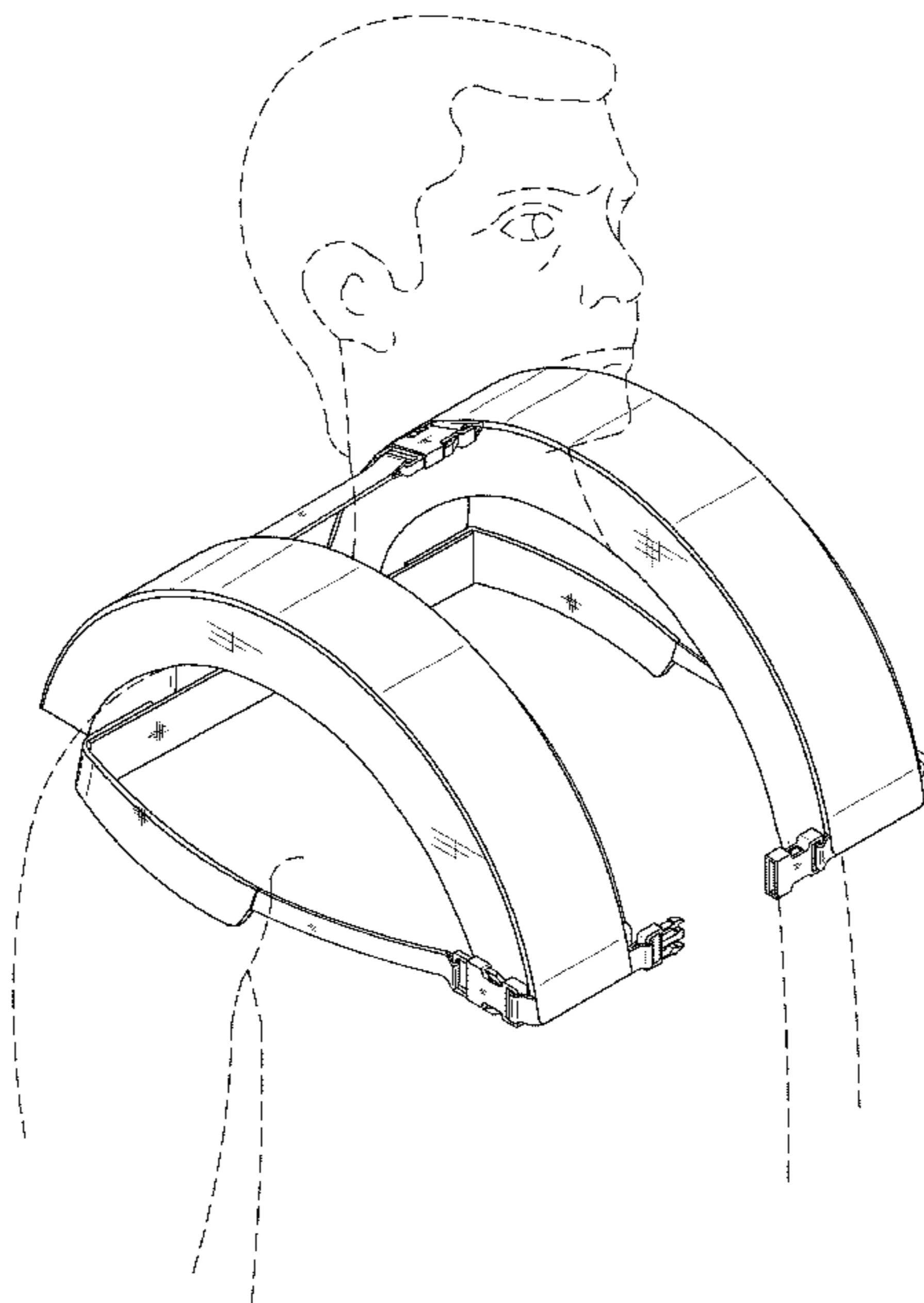
FIG. 5 is a top plan view of FIG. 1 thereof.

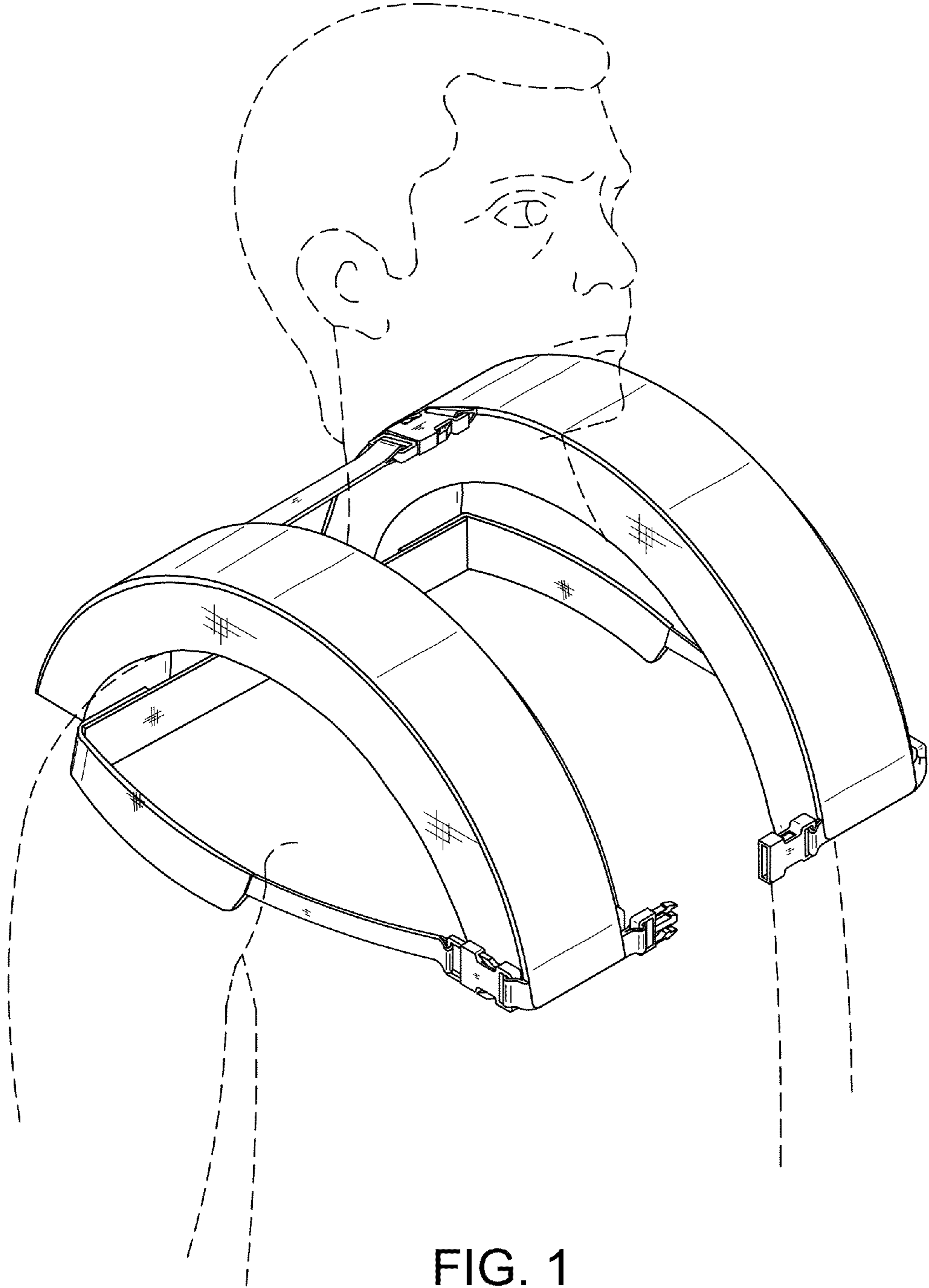
FIG. 6 is a bottom plan view of FIG. 1 thereof.

FIG. 7 is another perspective view of FIG. 1 thereof, with the chest strap connectors, underarm connectors, and back strap attachment members each shown in an open position, and with the neck strap connector shown in a closed position; and, FIG. 8 is an alternative embodiment of FIG. 1 thereof, showing columns of zig-zag stitching along the shoulder straps, with the front shoulder straps forming a “V” near the chest strap connector, and with the remaining connectors shown in a closed position.

The broken lines are for illustrative purposes only, and do not form part of the claimed invention. The zig-zag lines in FIG. 8 represent stitching. The remaining views of the alternative embodiment of FIG. 8 correspond to the views of the embodiment shown in FIGS. 1-7. The patches of cross hatching are meant to represent an alternative finish that extends across the entire surface.

1 Claim, 8 Drawing Sheets





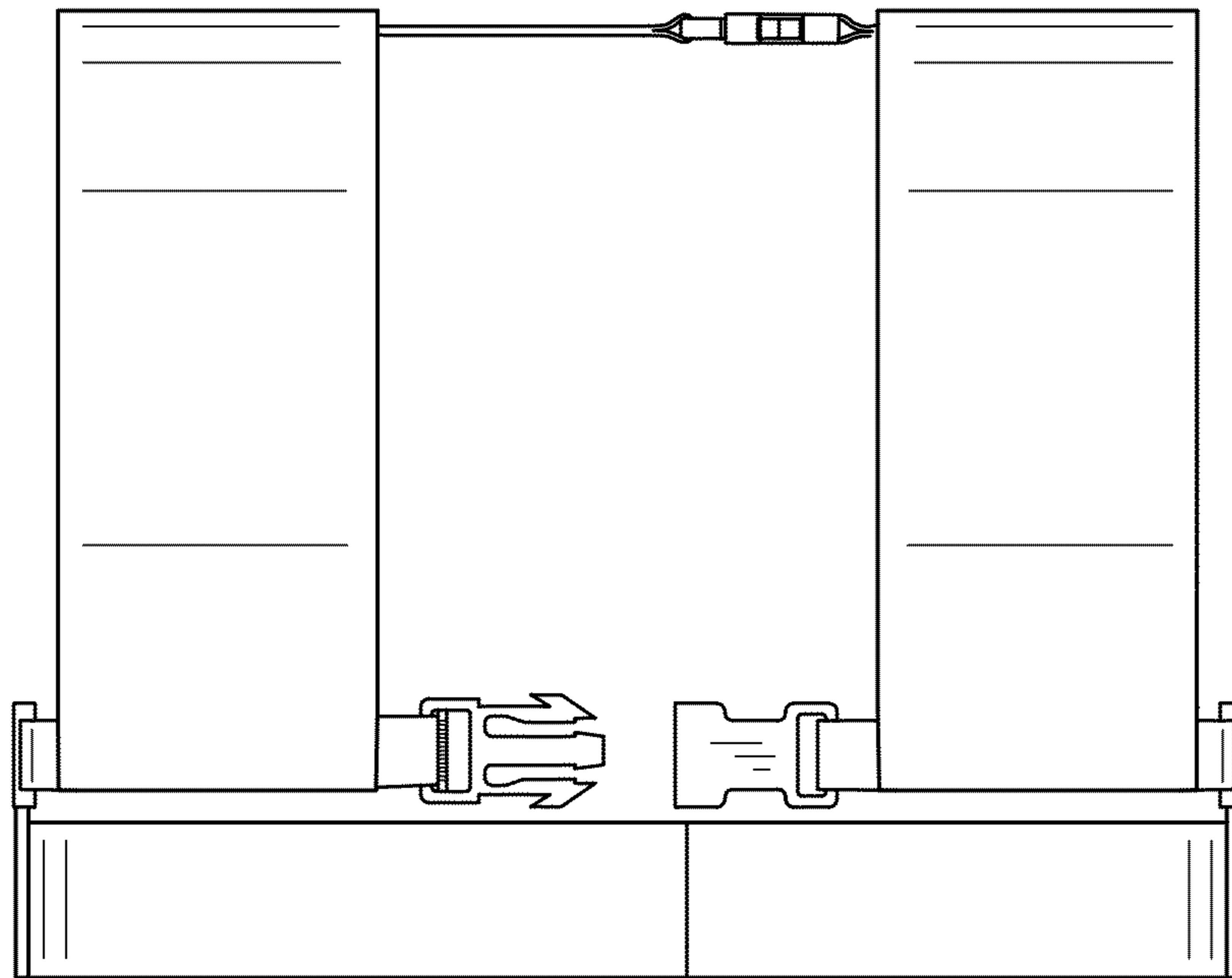


FIG. 2

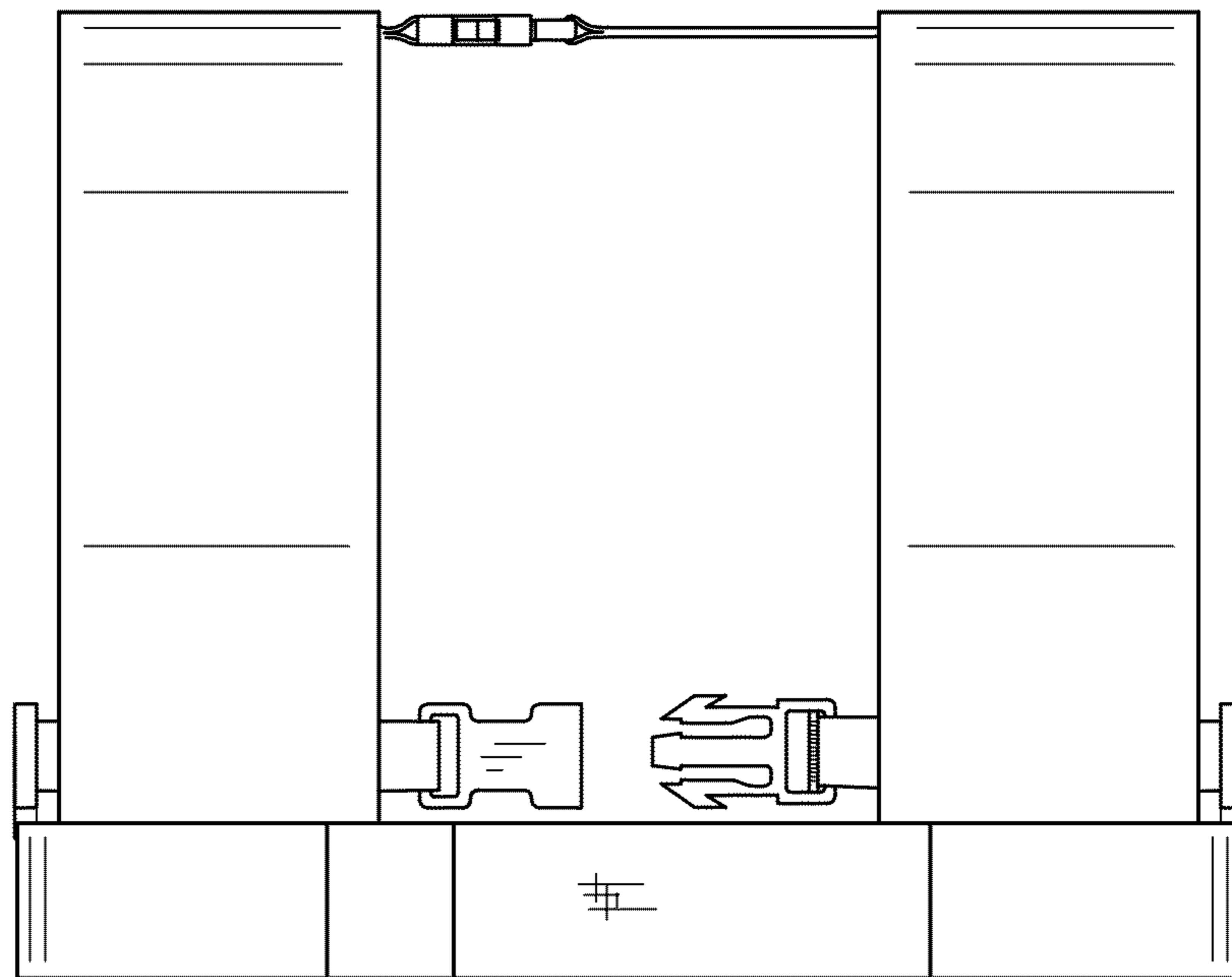


FIG. 3

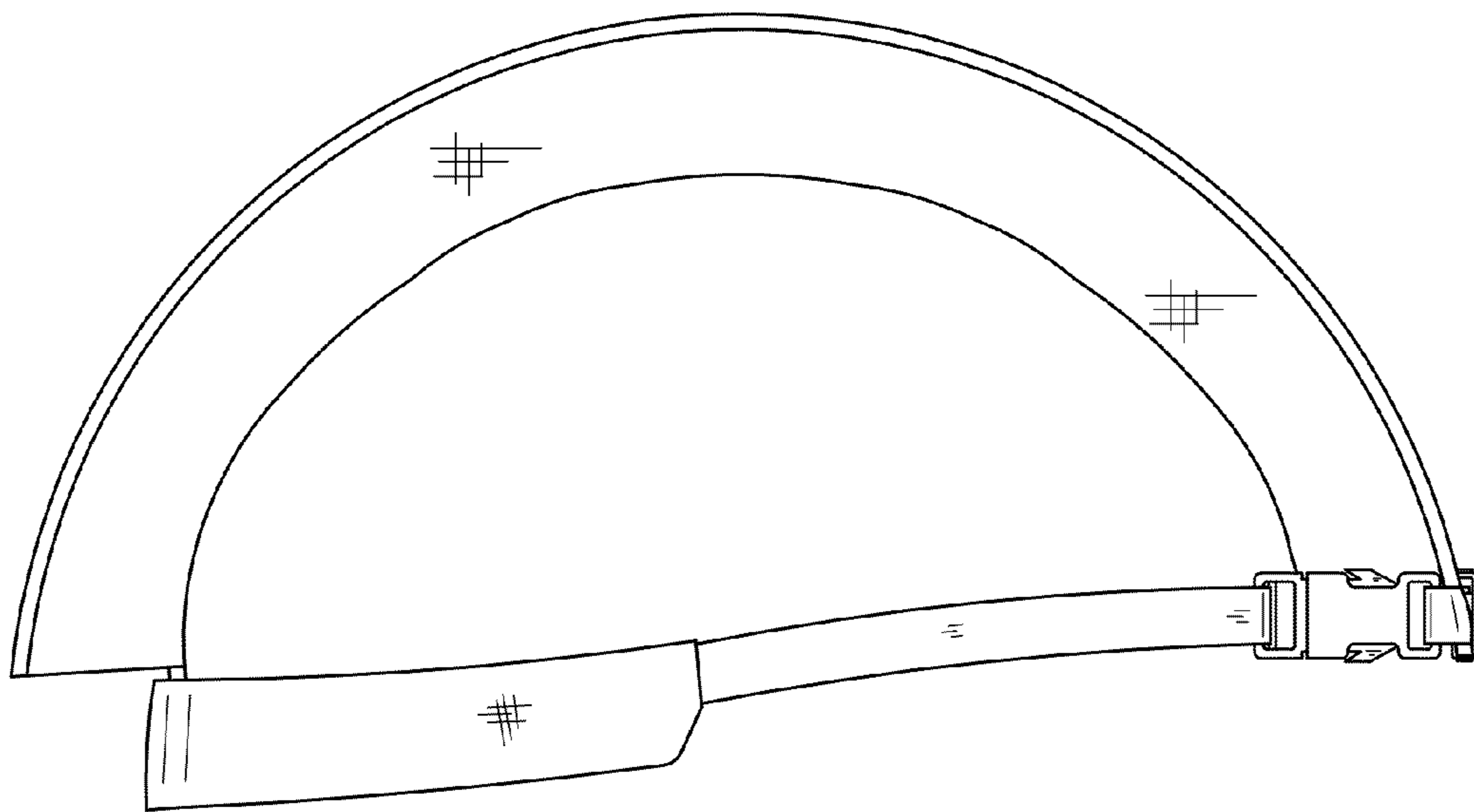


FIG. 4

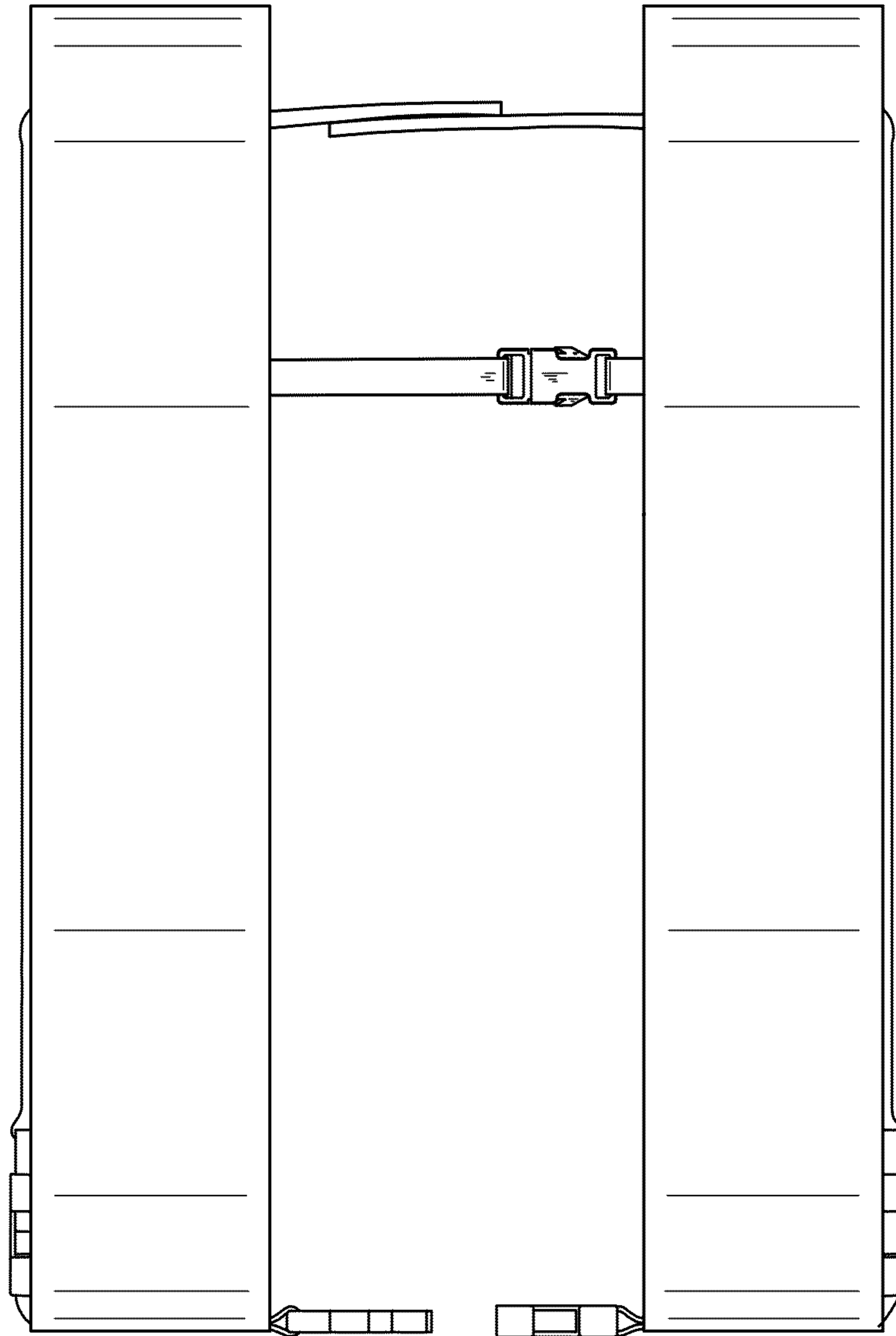


FIG. 5

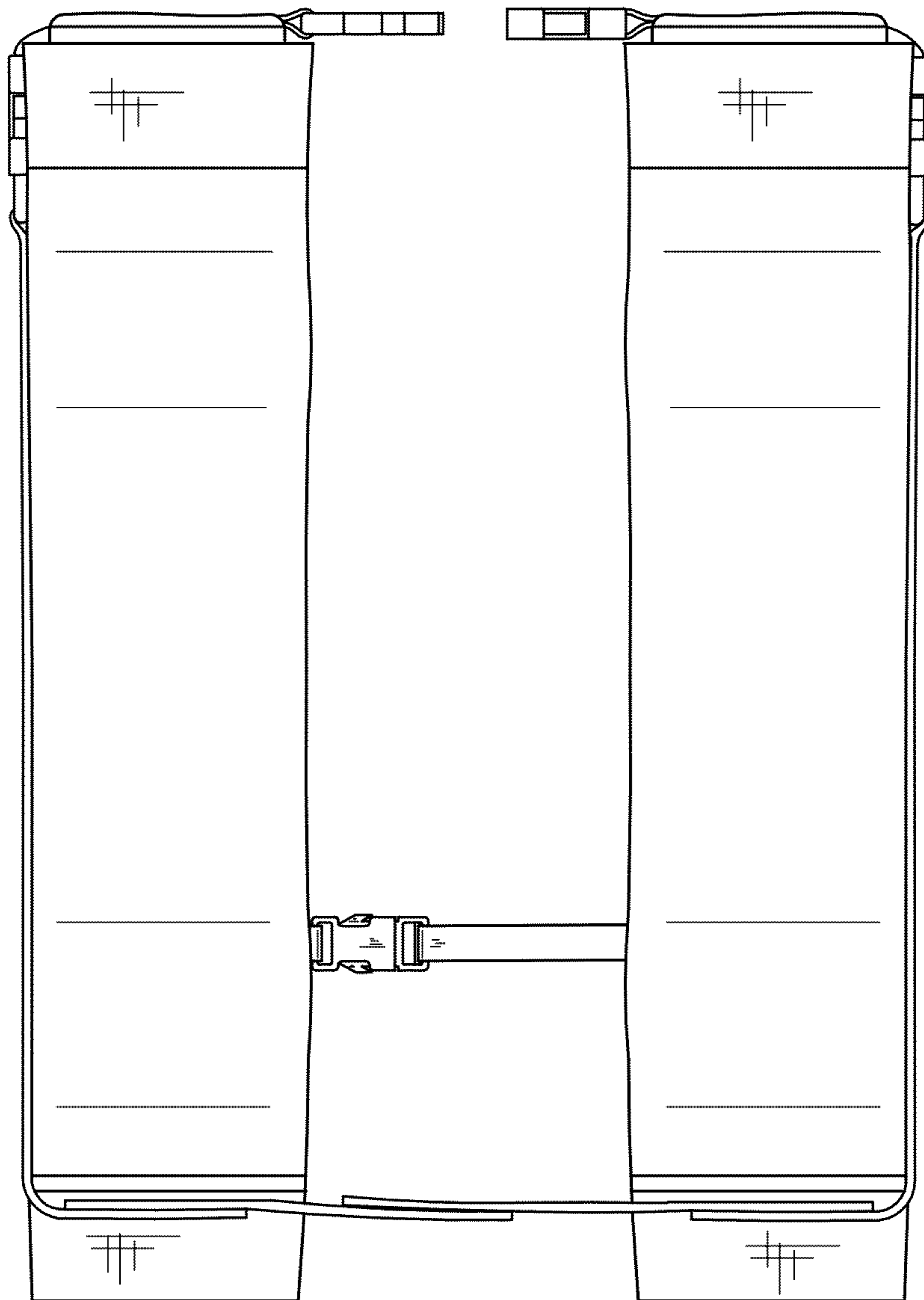


FIG. 6

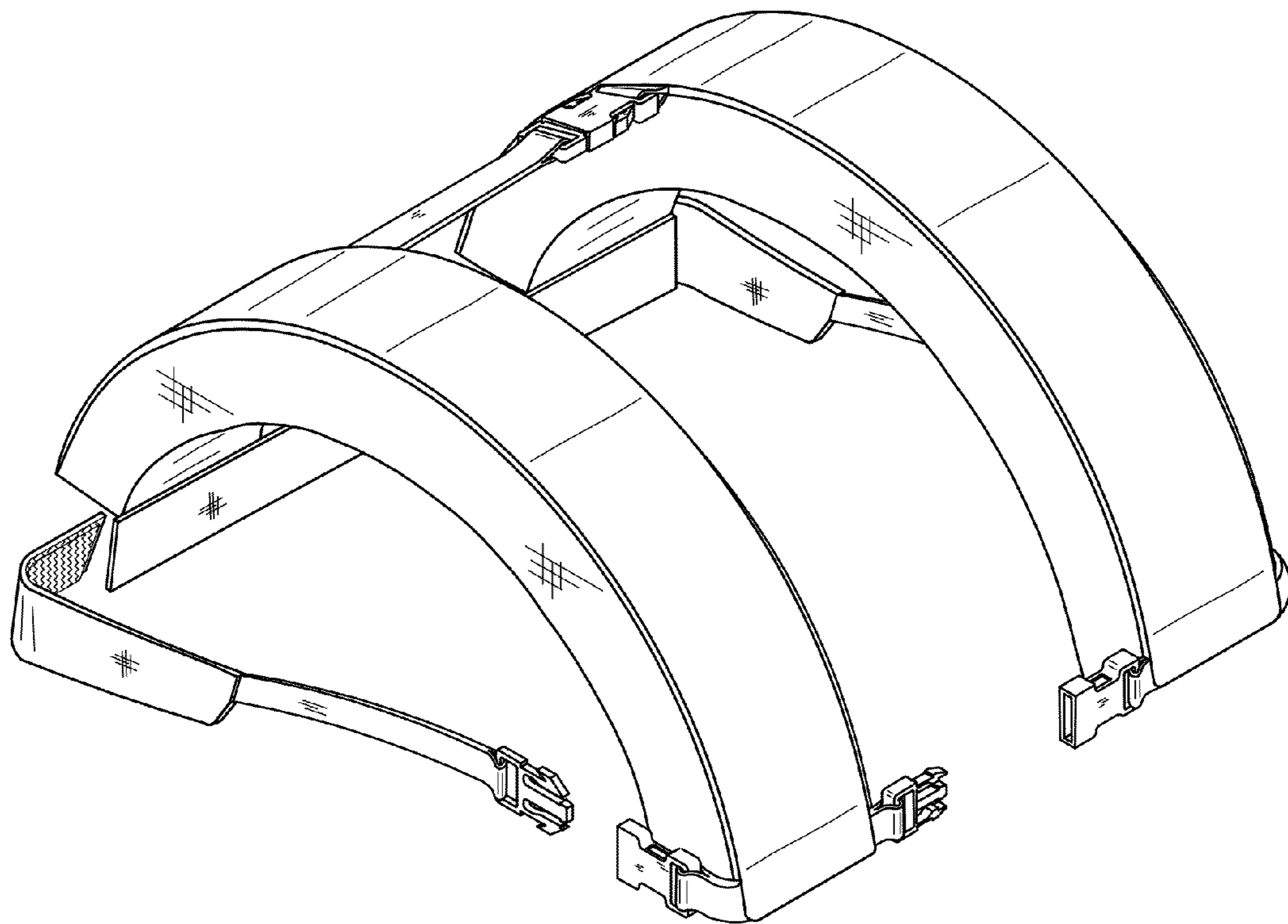


FIG. 7

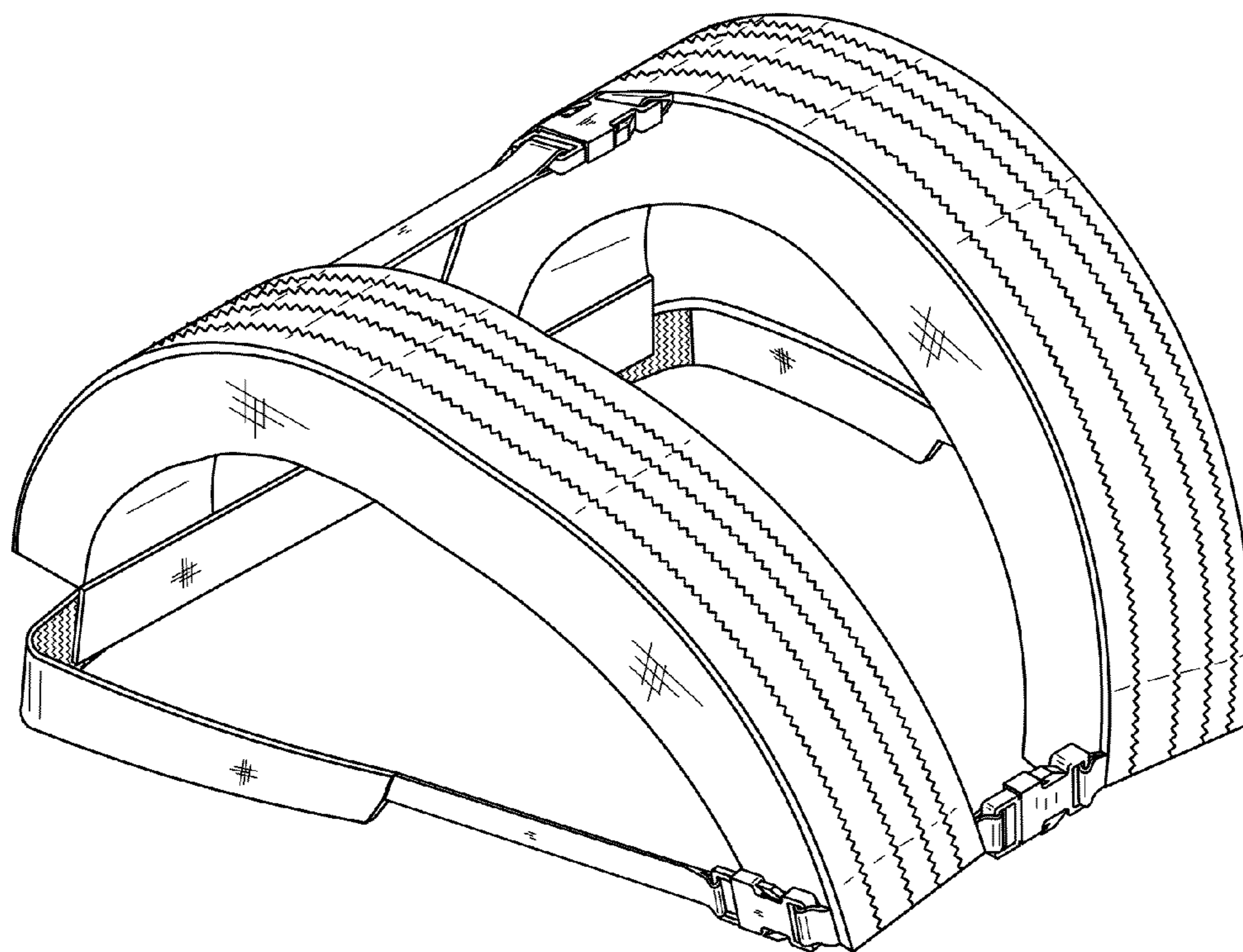


FIG. 8