



US00D728038S

(12) **United States Design Patent**  
**Ewing et al.**

(10) **Patent No.:** **US D728,038 S**  
(45) **Date of Patent:** **\*\* Apr. 28, 2015**

(54) **REAR BUMPER FOR A MODEL VEHICLE**

(71) Applicant: **Traxxas LP**, Plano, TX (US)

(72) Inventors: **Adam Cole Ewing**, McKinney, TX (US); **Kent Poteet**, Lucas, TX (US)

(73) Assignee: **Traxxas LP**, McKinney, TX (US)

(\*\*) Term: **14 Years**

(21) Appl. No.: **29/475,773**

(22) Filed: **Dec. 6, 2013**

(51) **LOC (10) Cl.** ..... **21-01**

(52) **U.S. Cl.**  
USPC ..... **D21/561**

(58) **Field of Classification Search**

CPC ..... A63H 29/00; A63H 29/22; A63H 29/24;  
A63H 17/26; A63H 17/262; A63H 17/264;  
A63H 17/266; A63H 17/36; A63H 17/38;  
A63H 30/04  
USPC ..... D21/419, 434, 533, 548, 551, 552, 558,  
D21/559; 446/93, 95, 424, 425, 427, 428,  
446/447, 470; 180/65.1, 86.1, 86.2; 296/79,  
296/95.1, 97.7; D12/169, 171, 172;  
280/163, 164

See application file for complete search history.

(56) **References Cited**

**U.S. PATENT DOCUMENTS**

D160,661 S \* 10/1950 Ross ..... D12/171  
D360,865 S \* 8/1995 Hanson ..... D12/169  
D403,023 S \* 12/1998 Araki ..... D21/562  
D454,098 S \* 3/2002 McGuinness ..... D12/171  
D454,817 S \* 3/2002 McGuinness ..... D12/171  
D455,988 S \* 4/2002 McGuinness ..... D12/171

D485,219 S \* 1/2004 Hamm et al. .... D12/169  
D506,421 S \* 6/2005 Newbill ..... D12/169  
D521,572 S \* 5/2006 Yuen ..... D21/562  
D533,606 S \* 12/2006 Kaminski ..... D21/548  
D577,083 S \* 9/2008 Nakayama ..... D21/562  
D704,107 S \* 5/2014 Peltola et al. .... D12/169

\* cited by examiner

*Primary Examiner* — Cynthia M Chin

(74) *Attorney, Agent, or Firm* — CARR Law Firm PLLC

(57) **CLAIM**

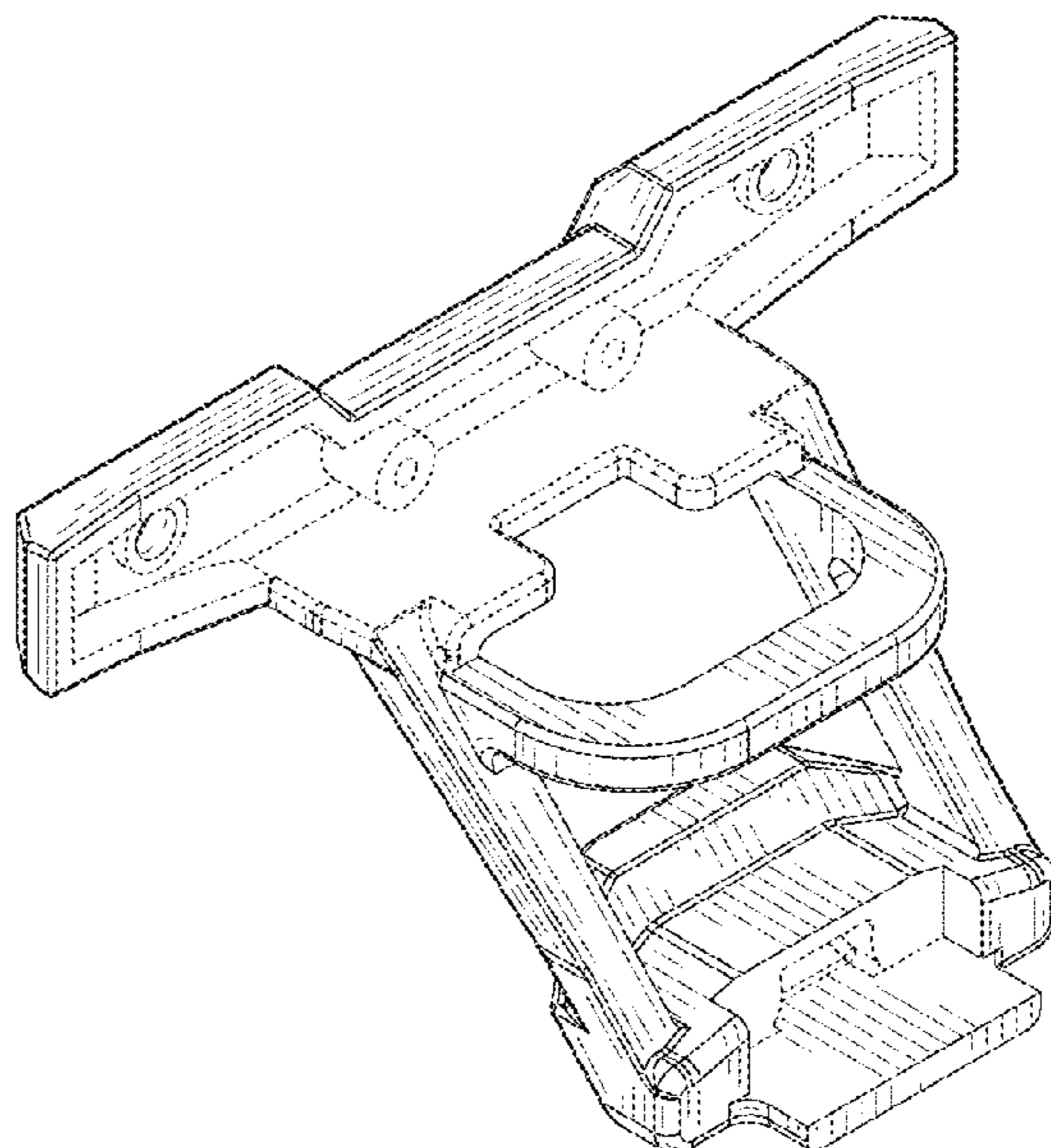
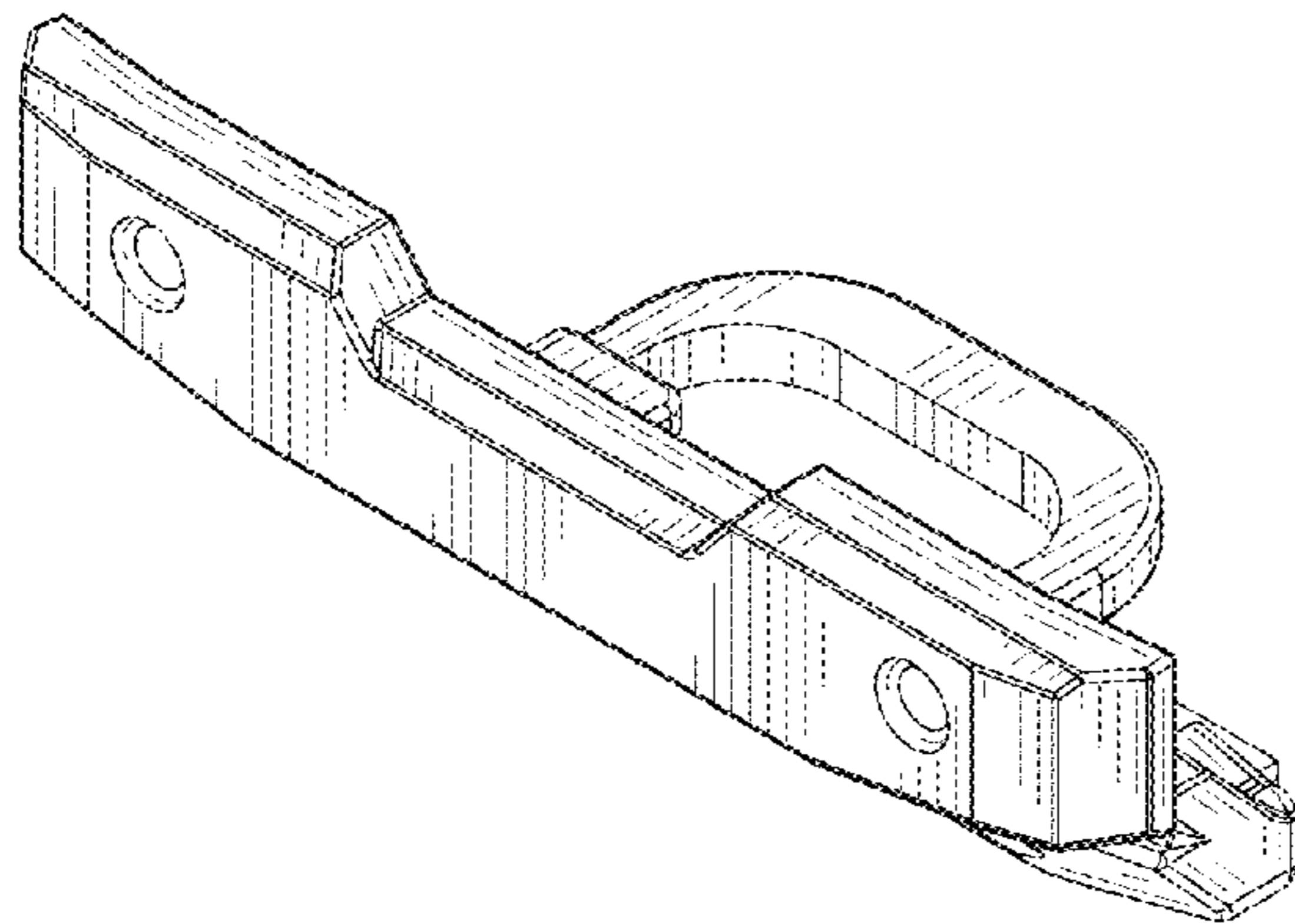
We claim the ornamental design for a rear bumper for a model vehicle, as shown and described.

**DESCRIPTION**

FIG. 1 is a perspective view of a rear bumper for a model vehicle taken from the front, top and right side; FIG. 2 is a perspective view thereof taken from the front, bottom and right side; FIG. 3 is a front elevation view thereof; FIG. 4 is a top plan view thereof; FIG. 5 is a bottom plan view thereof; FIG. 6 is a right side elevation view thereof; FIG. 7 is a perspective view thereof taken from the rear, bottom, and right side; FIG. 8 is a perspective view thereof taken from the rear, top, and right side; and, FIG. 9 is a rear elevation view thereof.

The appearance of the left side of the rear bumper for a model vehicle is a mirror image of the right side of the rear bumper for a model vehicle. The portions of the figures presented in dotted lines show environmental structure that forms no part of the claimed design.

**1 Claim, 4 Drawing Sheets**



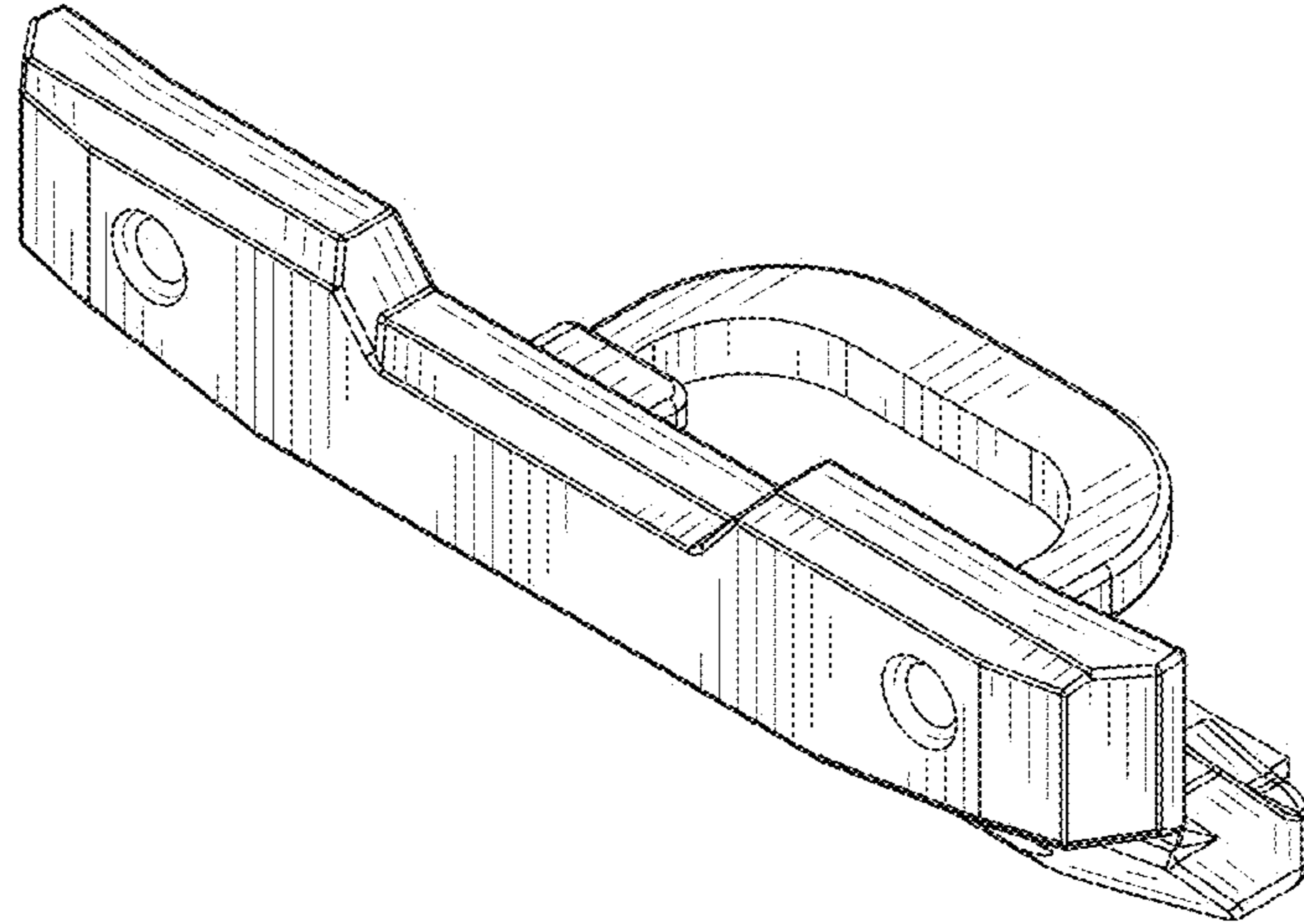


FIG. 1

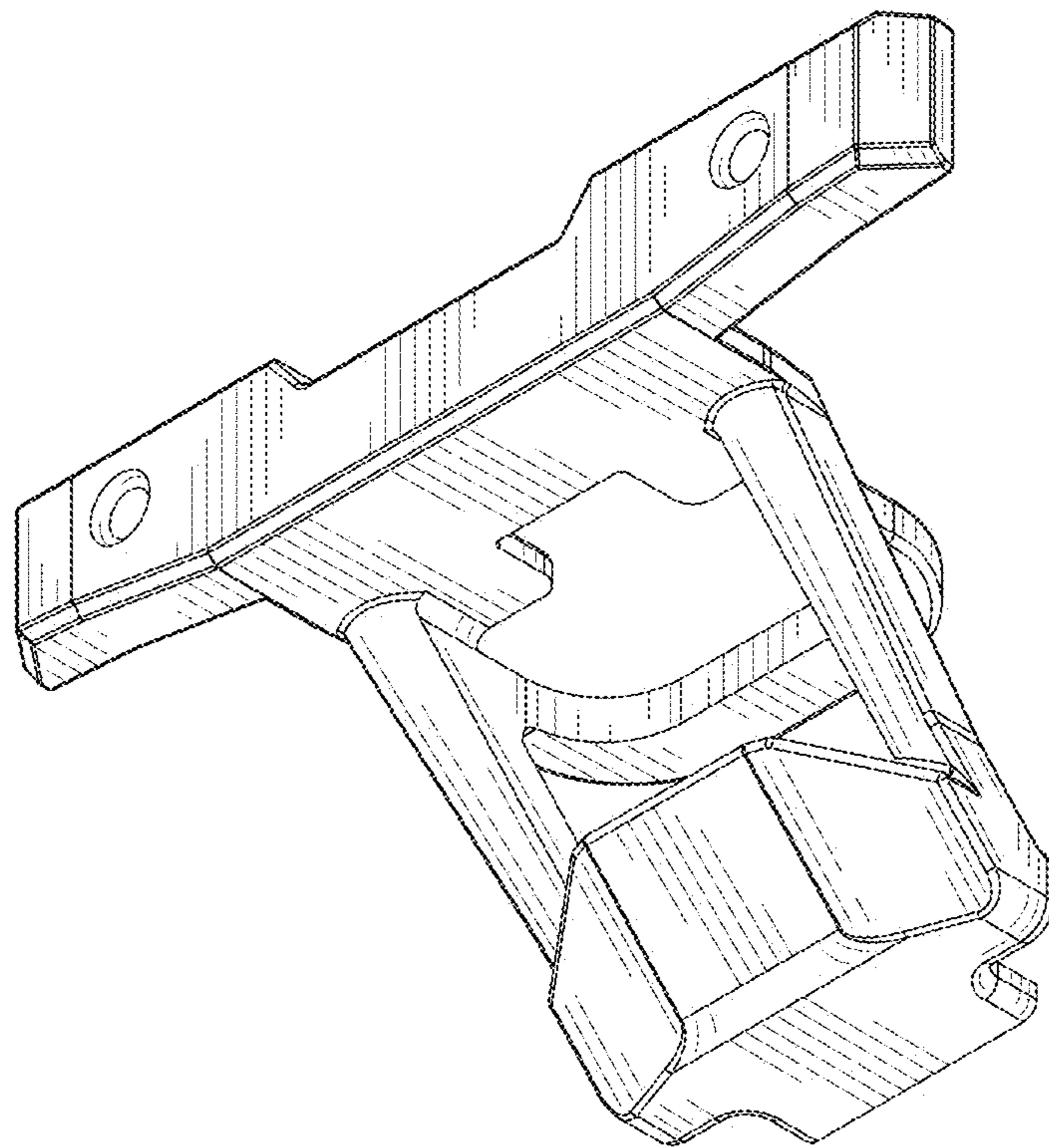


FIG. 2

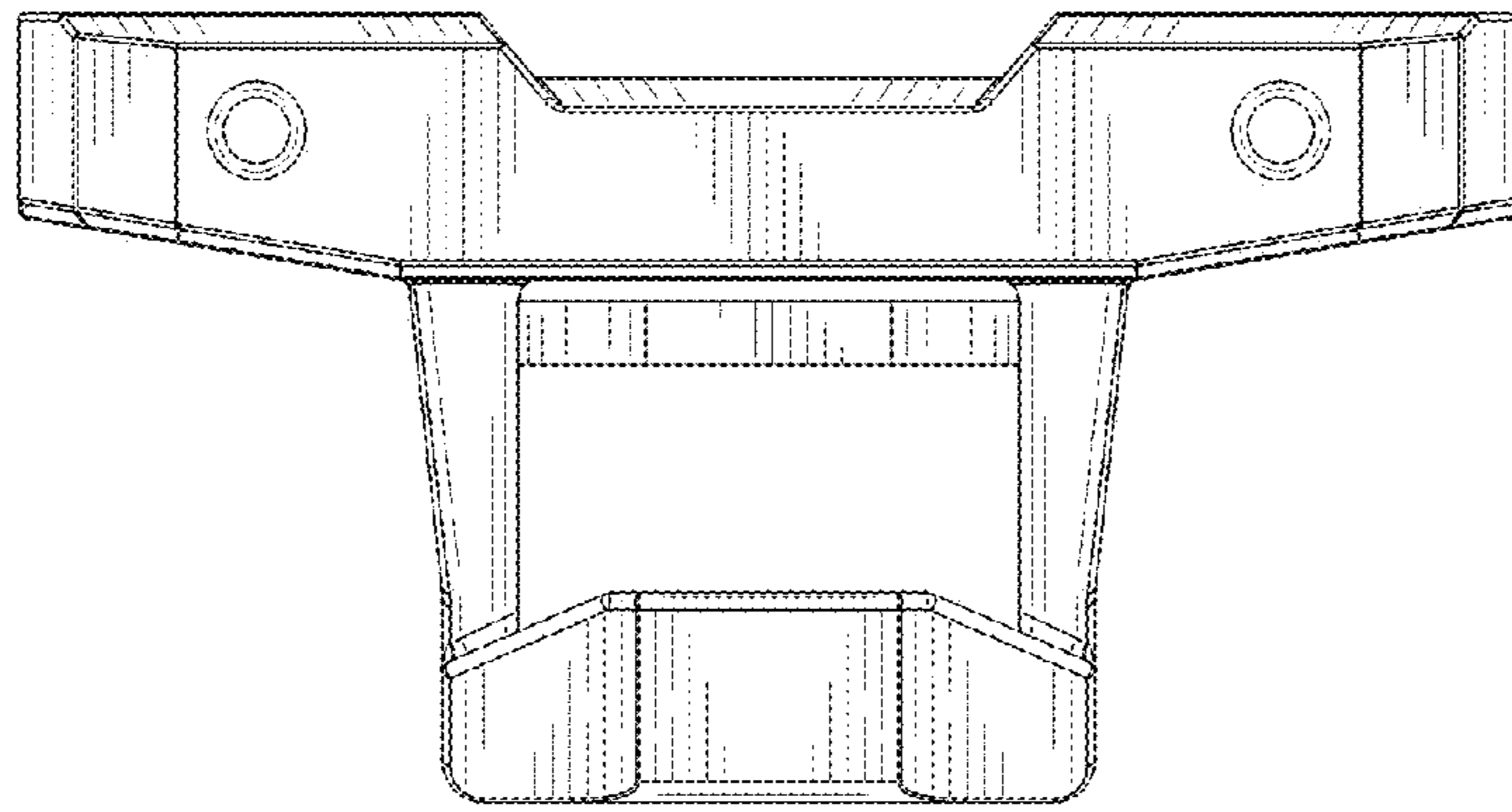


FIG. 3

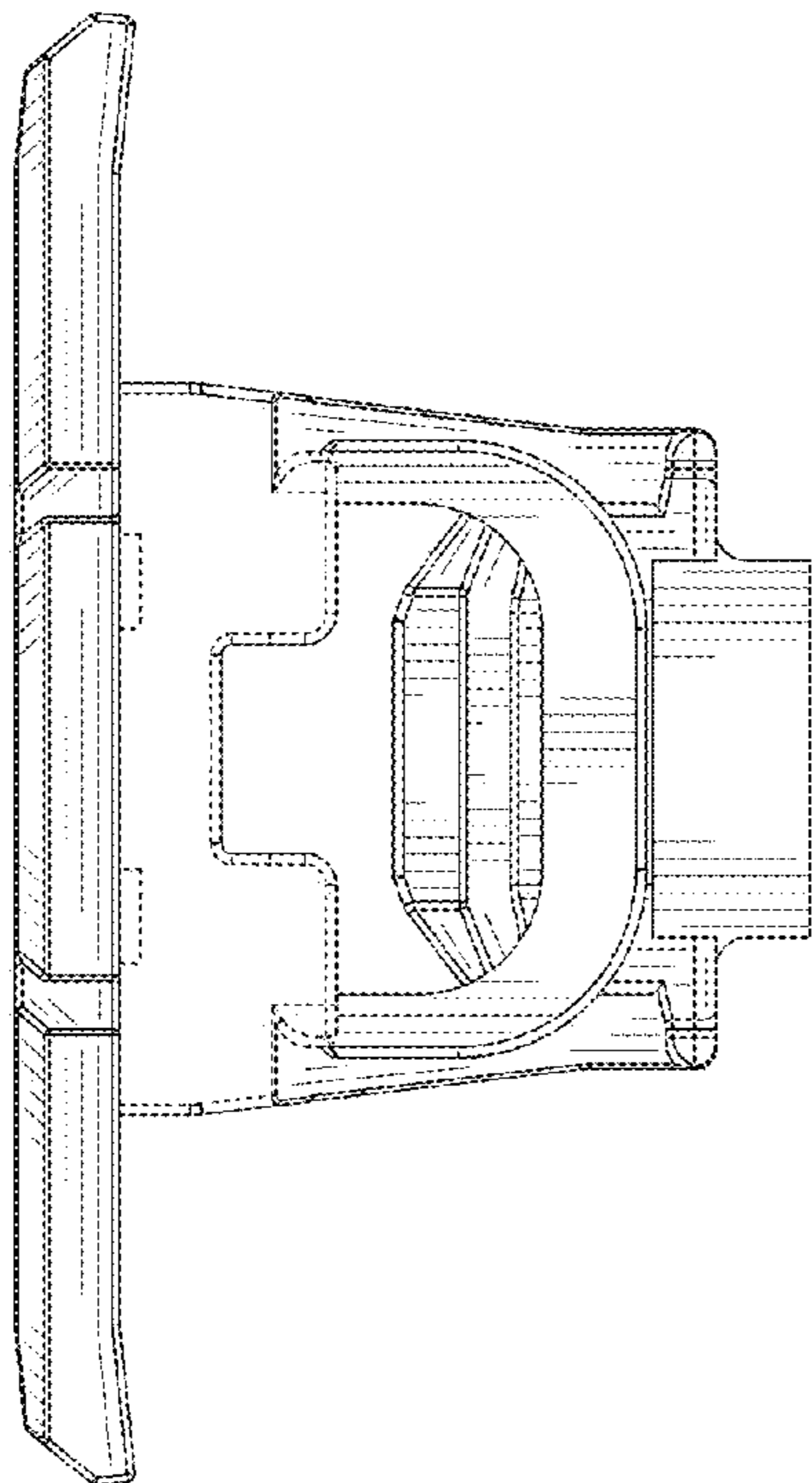


FIG. 4

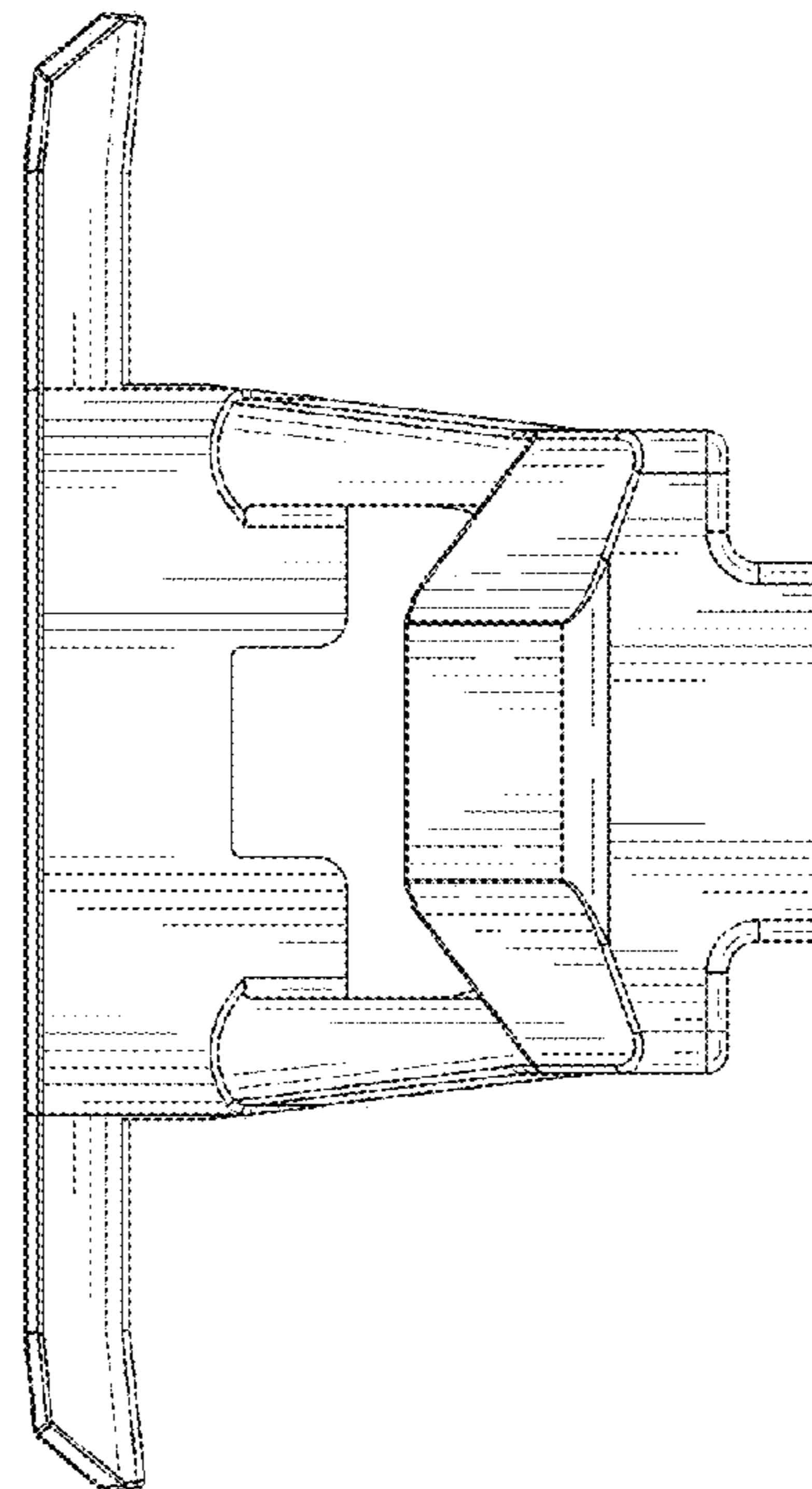
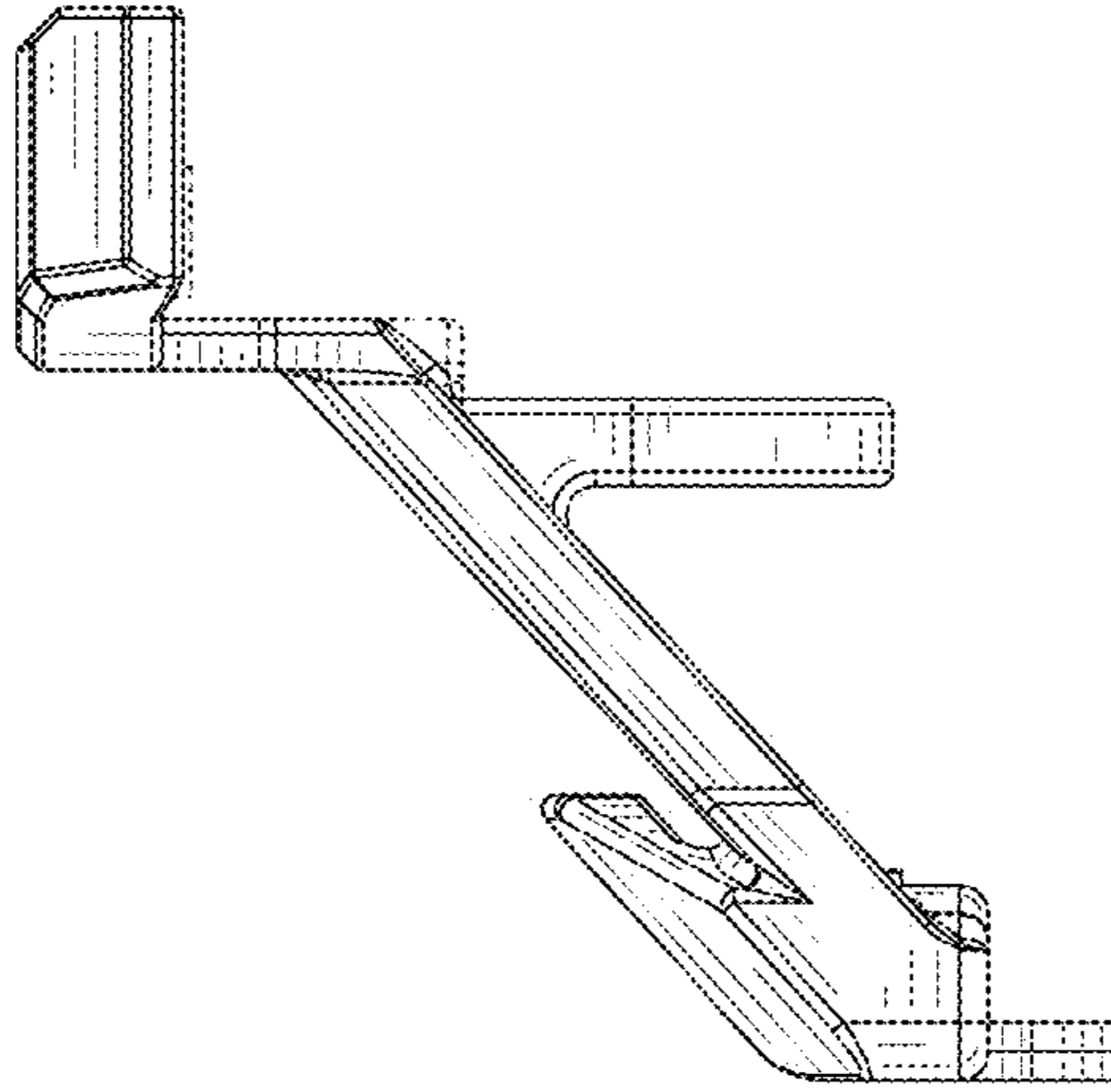
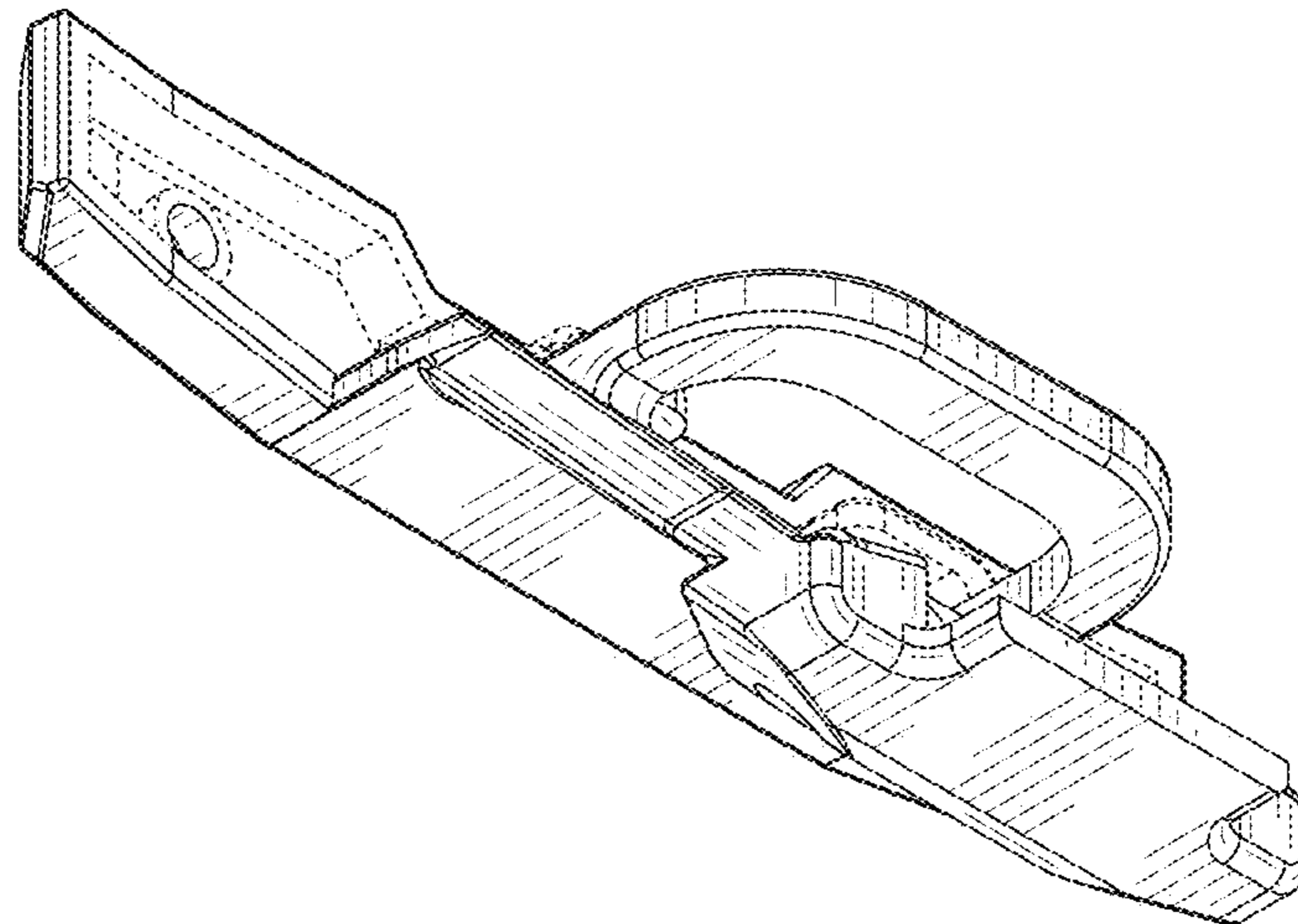


FIG. 5

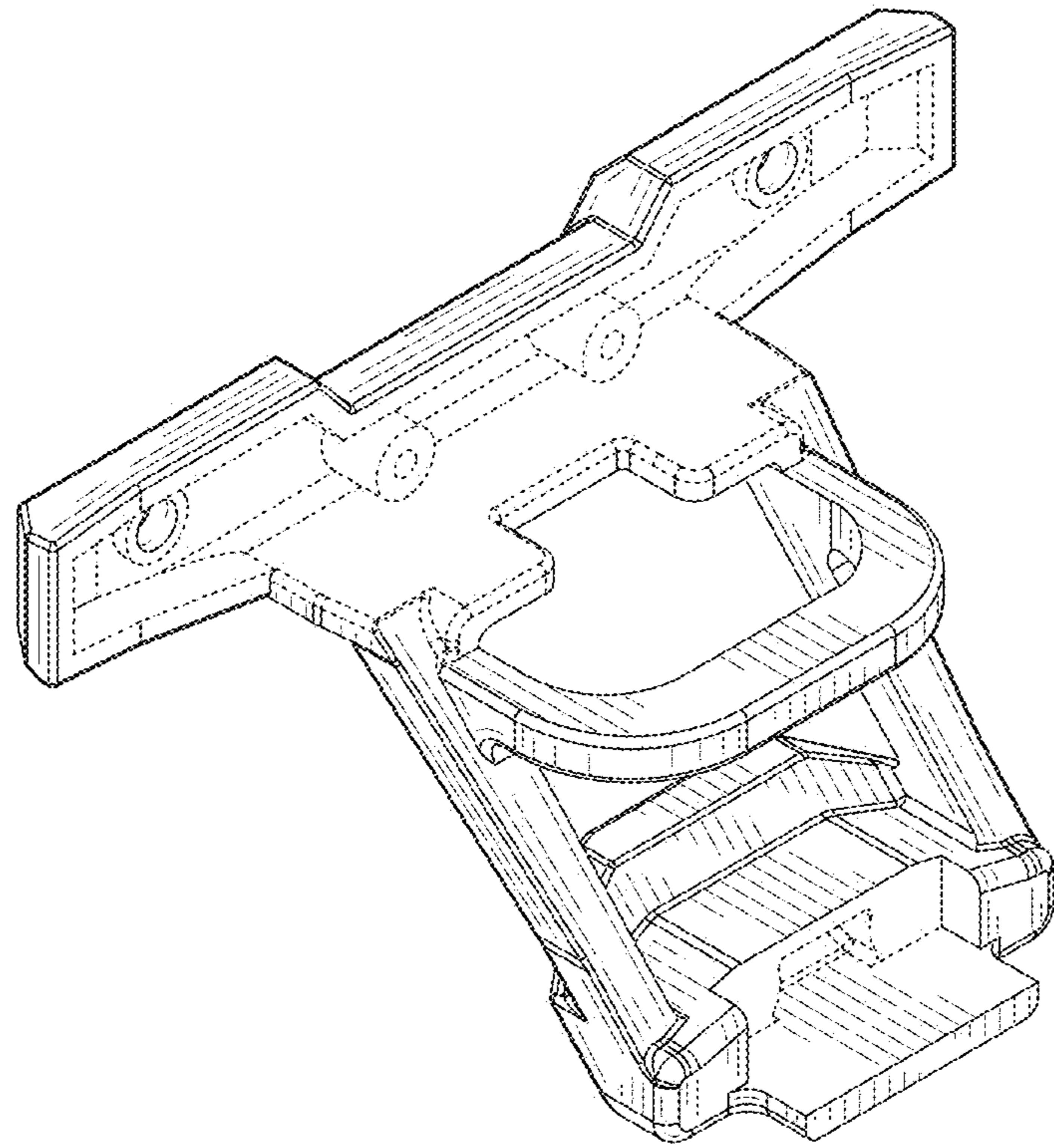




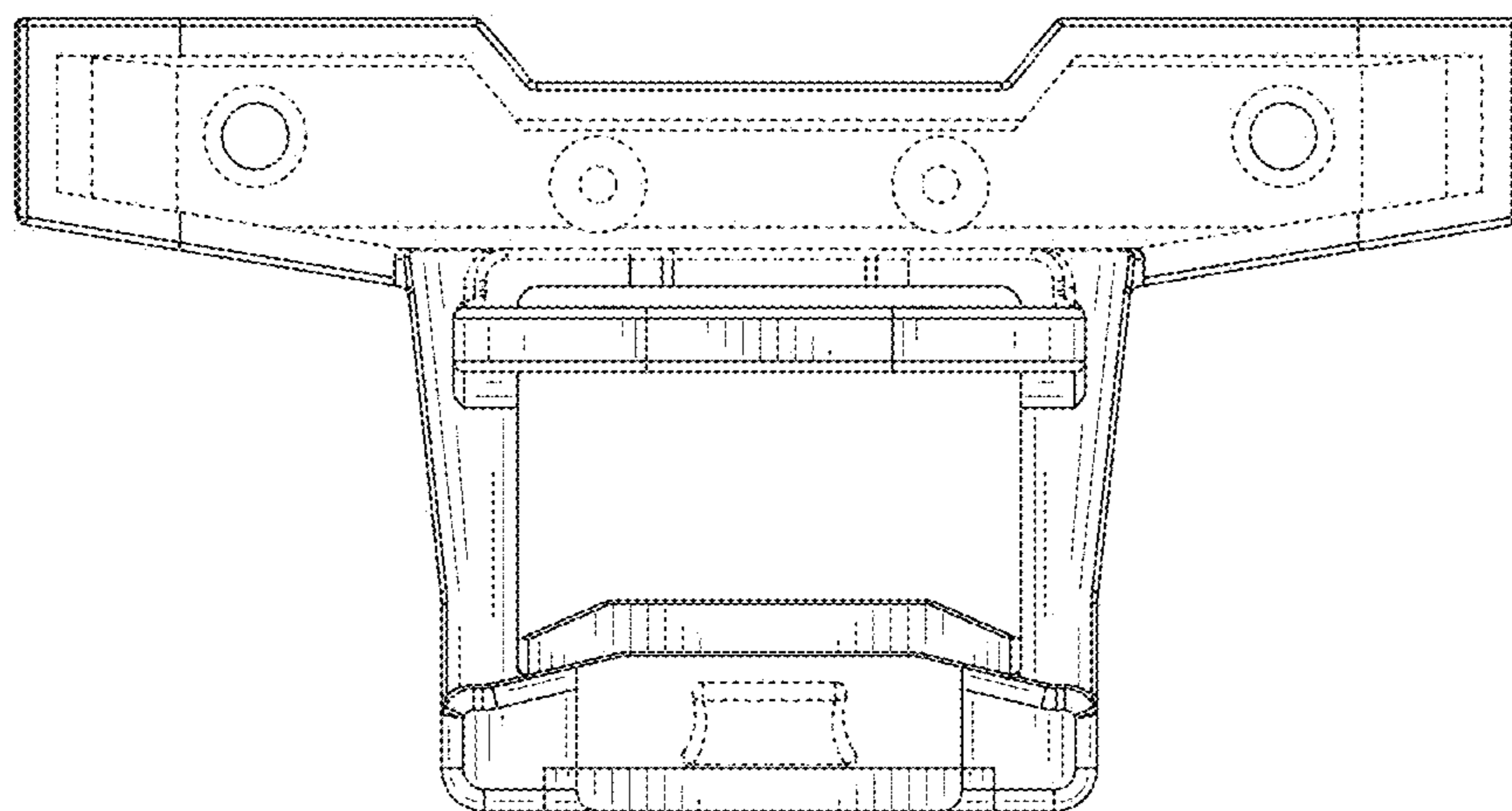
**FIG. 6**



**FIG. 7**



**FIG. 8**



**FIG. 9**