



US00D728037S

(12) **United States Design Patent**
Barajas et al.

(10) **Patent No.:** **US D728,037 S**

(45) **Date of Patent:** **** Apr. 28, 2015**

- (54) **BODY FOR A MODEL VEHICLE**
- (71) Applicant: **Traxxas LP**, Plano, TX (US)
- (72) Inventors: **Jaime Felix Barajas**, Dallas, TX (US);
Adam Cole Ewing, McKinney, TX (US); **Kent Poteet**, Lucas, TX (US)
- (73) Assignee: **Traxxas LP**, McKinney, TX (US)
- (**) Term: **14 Years**
- (21) Appl. No.: **29/475,796**
- (22) Filed: **Dec. 6, 2013**
- (51) **LOC (10) Cl.** **21-01**
- (52) **U.S. Cl.**
USPC **D21/548**; D21/562
- (58) **Field of Classification Search**
USPC D21/419, 434, 533, 548, 551, 552, 558,
D21/559; 446/93, 95, 424, 425, 427, 428,
446/447, 470; 180/65.1; 296/79; D12/82,
D12/86, 89-93
See application file for complete search history.

- D579,823 S * 11/2008 Choi et al. D12/91
- D592,256 S * 5/2009 Yaguchi D21/548
- D630,971 S * 1/2011 Jung et al. D12/91
- D671,454 S * 11/2012 Davidson et al. D12/91
- D693,737 S * 11/2013 Hammoud et al. D12/91

* cited by examiner

Primary Examiner — Cynthia M Chin

(74) *Attorney, Agent, or Firm* — CARR Law Firm PLLC

(57) **CLAIM**

We claim the ornamental design for a body for a model vehicle, as shown and described.

DESCRIPTION

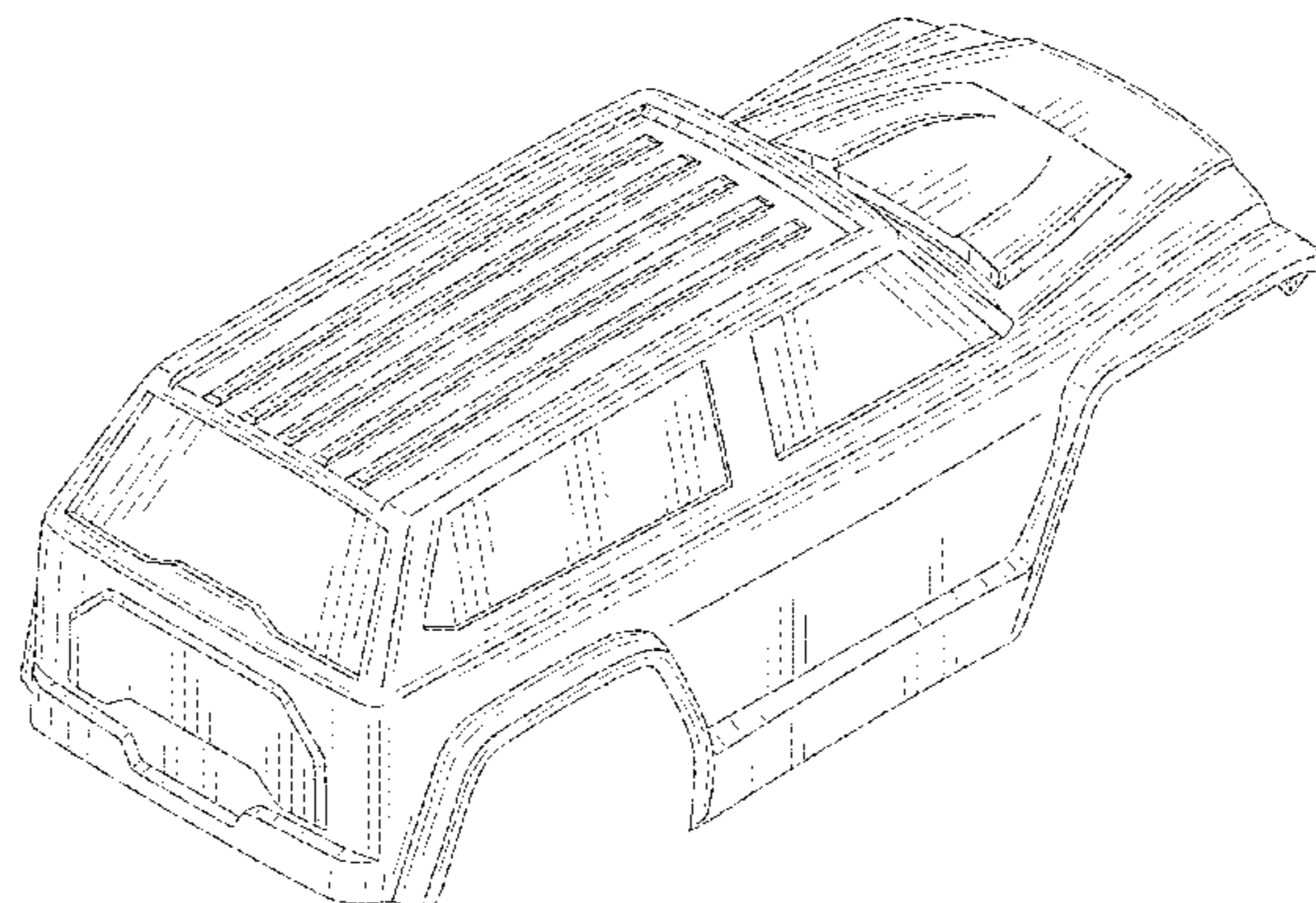
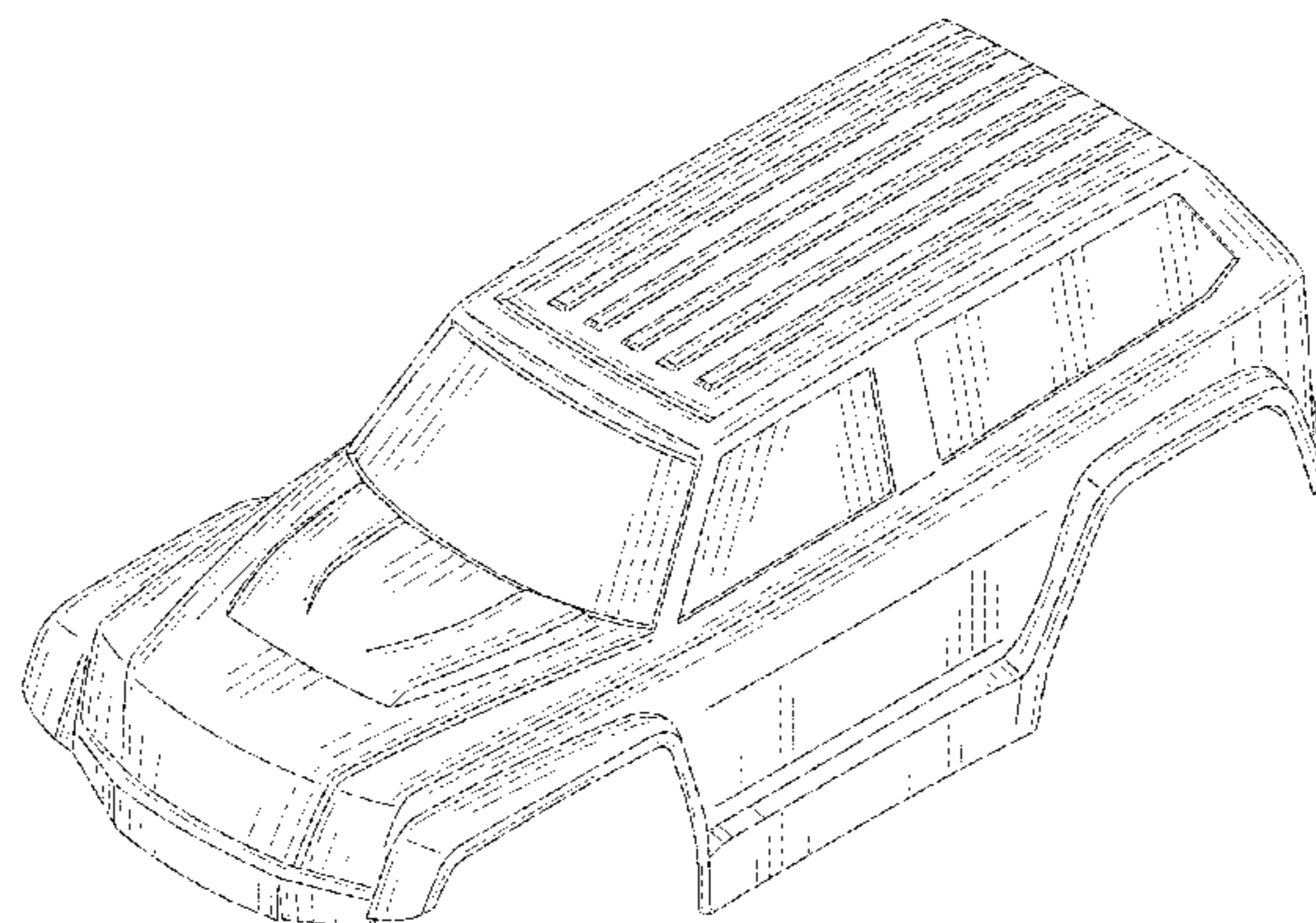
FIG. 1 is a perspective view of a body for a model vehicle taken from the front, top and left side;
 FIG. 2 is a perspective view thereof taken from the rear, top and right side;
 FIG. 3 is a top plan view thereof;
 FIG. 4 is a left side elevation view thereof;
 FIG. 5 is a front elevation view thereof; and,
 FIG. 6 is a rear elevation view thereof.
 The appearance of the right side of the body for a model vehicle is a mirror image of the left side of body for a model vehicle.

(56) **References Cited**

U.S. PATENT DOCUMENTS

- D458,188 S * 6/2002 Wyszogrod et al. D12/90
- D566,789 S * 4/2008 Idiot D21/552

1 Claim, 3 Drawing Sheets



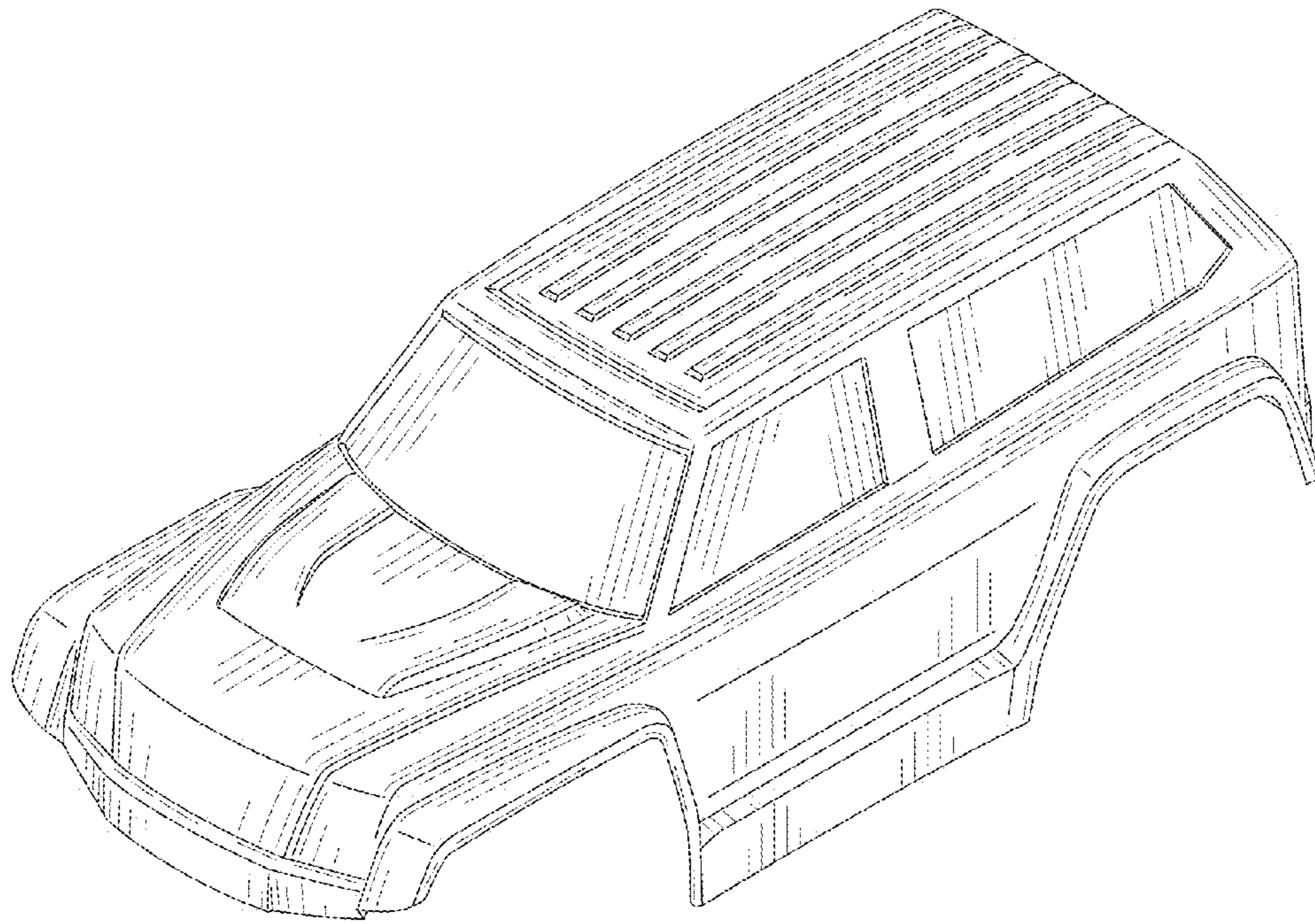


FIG. 1

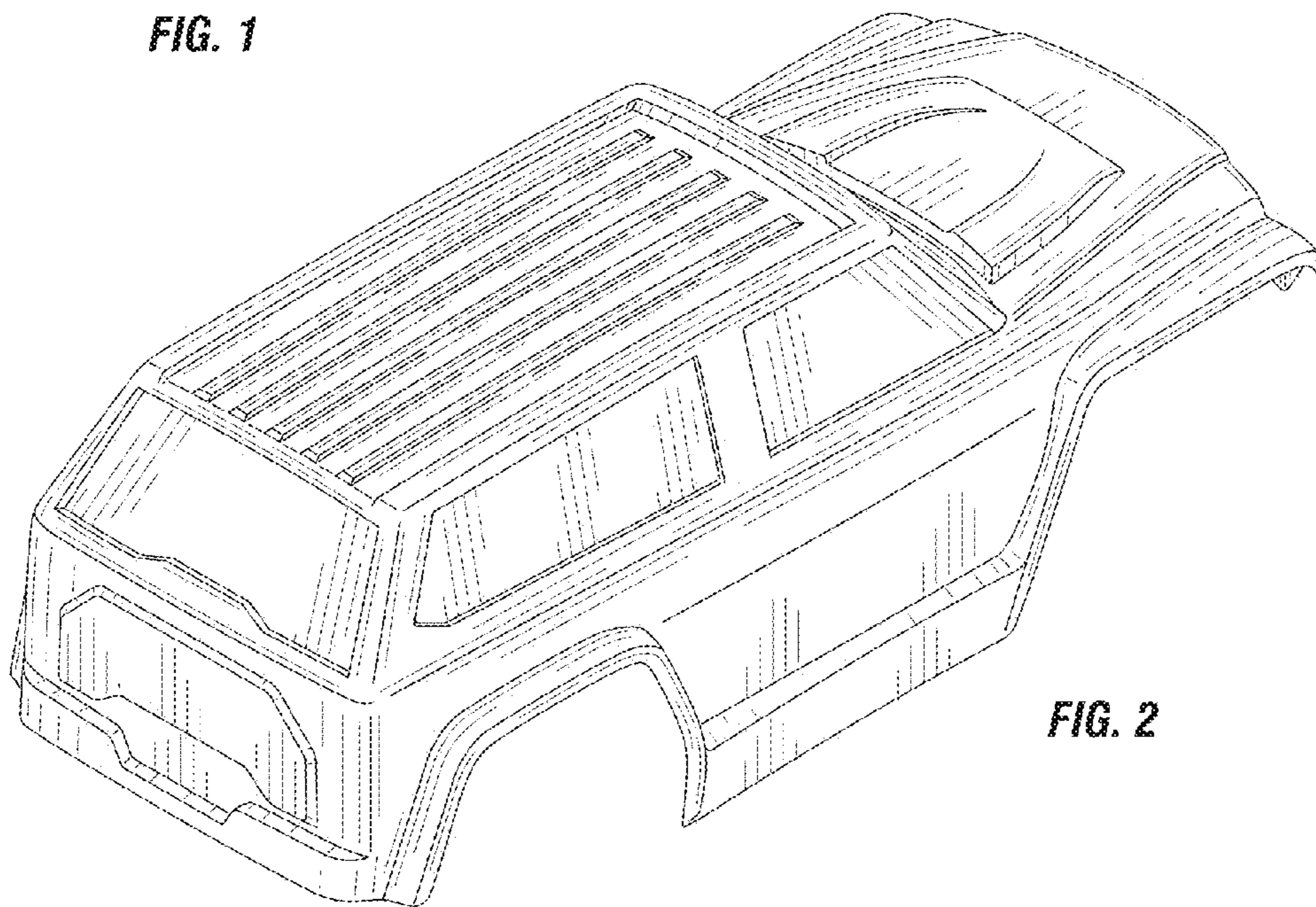


FIG. 2

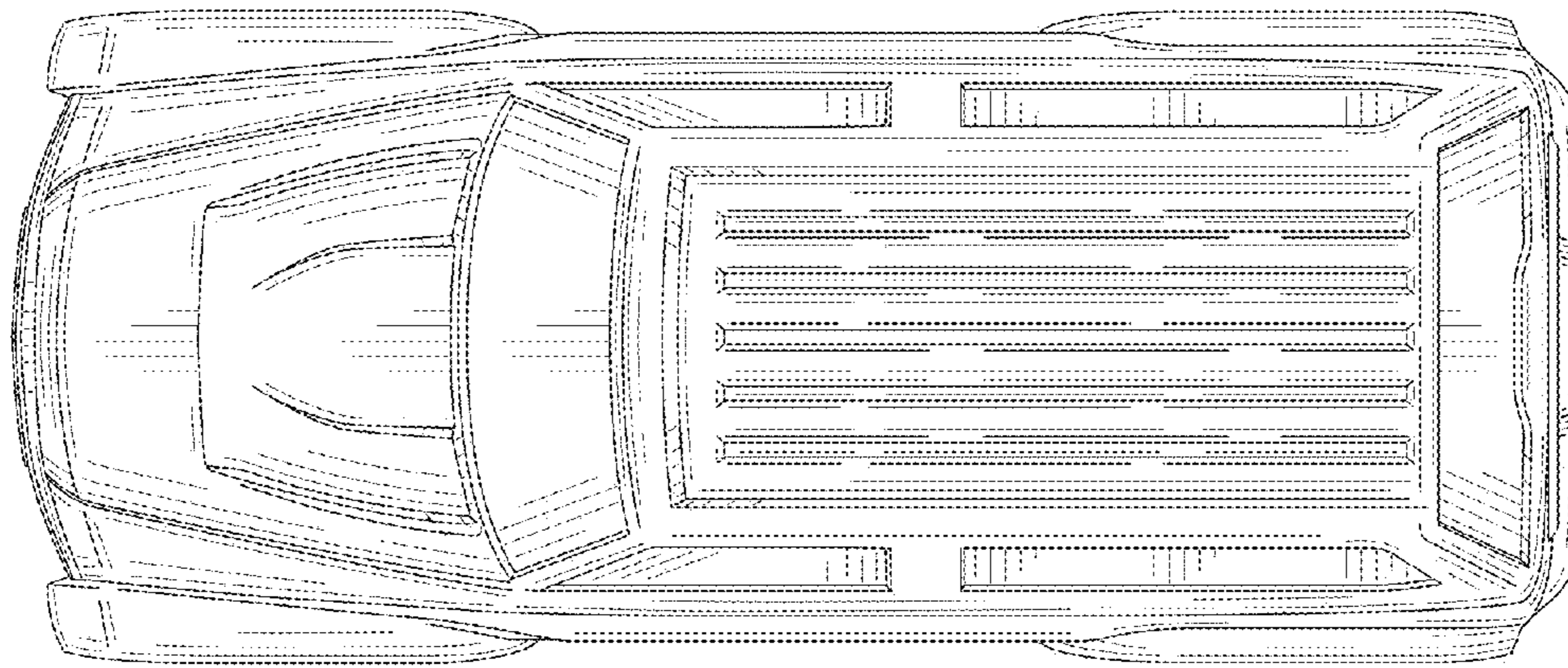


FIG. 3

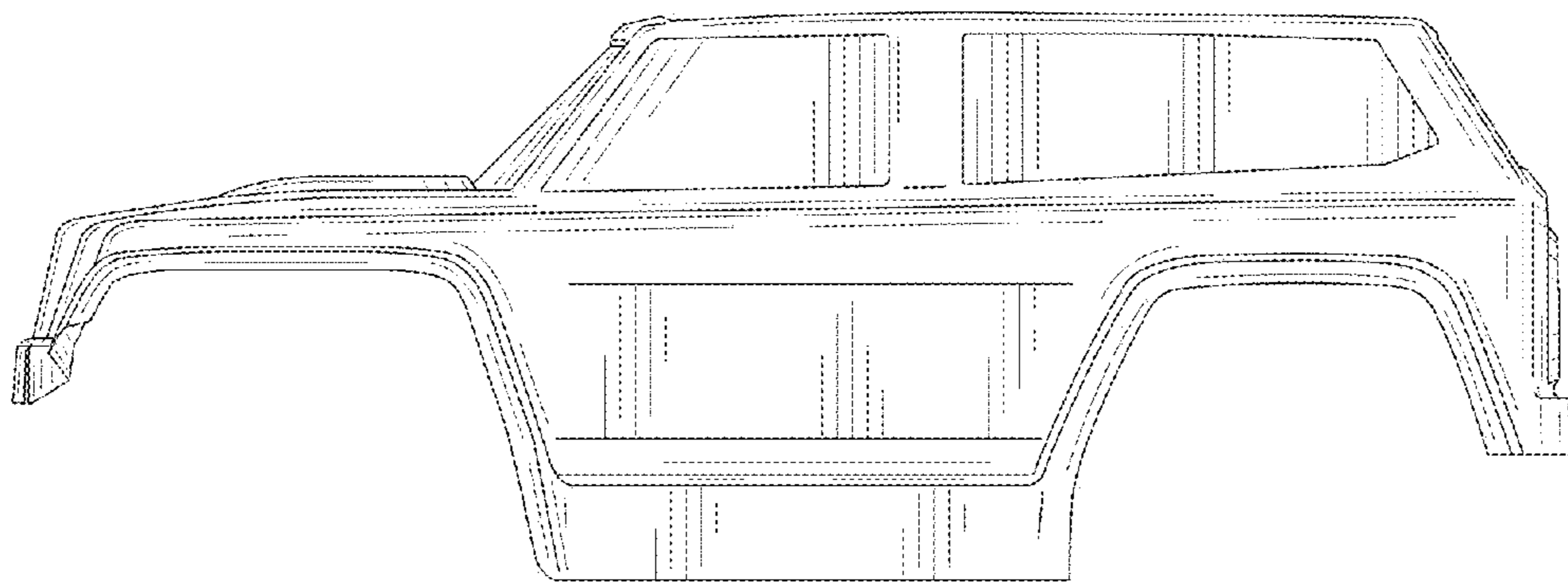


FIG. 4

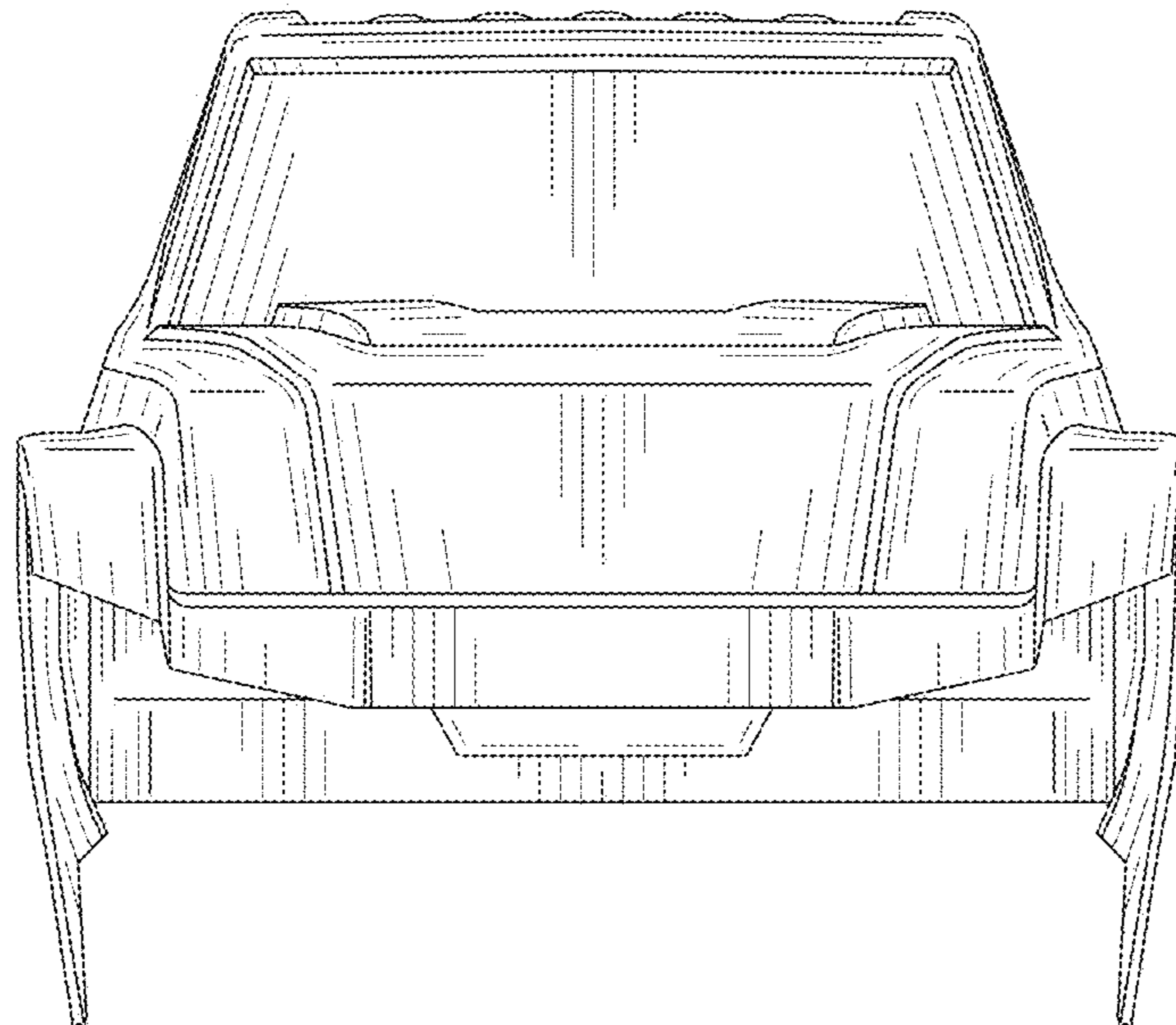


FIG. 5

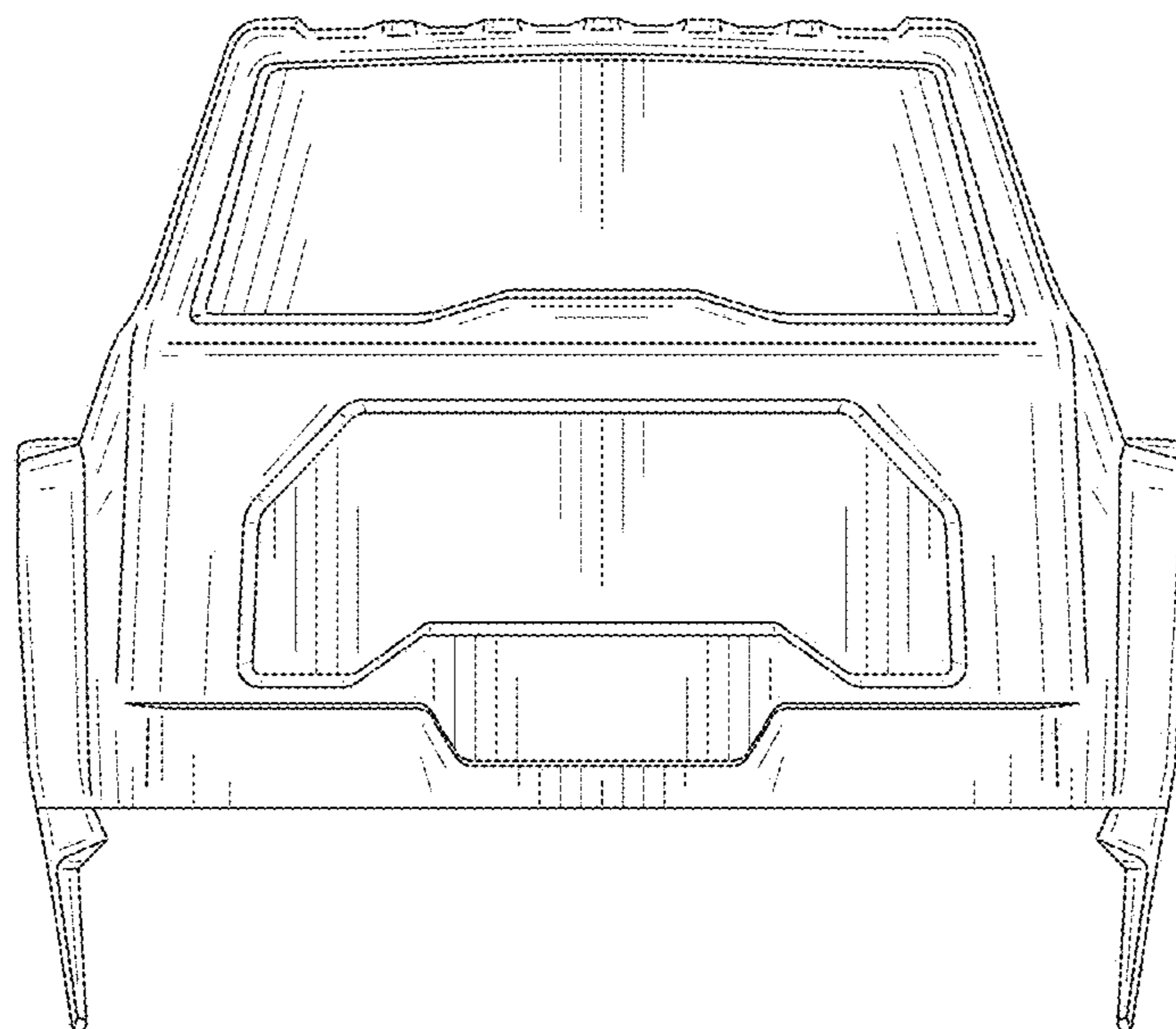


FIG. 6