



US00D728034S

(12) **United States Design Patent**
Talios et al.

(10) **Patent No.:** **US D728,034 S**
(45) **Date of Patent:** **** Apr. 28, 2015**

(54) **CHILDREN RIDE-ON LIGHT-UP SPORT UTILITY VEHICLE**

D643,478 S * 8/2011 Lai D21/424
D643,479 S * 8/2011 Lai D21/424
2005/0056473 A1* 3/2005 Damon 180/68.5

(71) Applicant: **Dynacraft BSC, Inc.**, American Canyon, CA (US)

FOREIGN PATENT DOCUMENTS

(72) Inventors: **Bill Talios**, Petaluma, CA (US); **David Castrucci**, Napa, CA (US); **John Bisges**, Petaluma, CA (US)

EP 1734649 A2 * 12/2006 B62K 9/00

(73) Assignee: **Dynacraft BSC, Inc.**, American Canyon, CA (US)

OTHER PUBLICATIONS

(**) Term: **14 Years**

KidselectricCars. "Kids Electric Ride on Car Range Rover" YouTube.com., Jul. 25, 2011 [online], [retrieved on Nov. 20, 2014]. Retrieved from the Internet <URL: <https://www.youtube.com/watch?v=Tono9-A-xrl>>.*

(21) Appl. No.: **29/481,331**

* cited by examiner

(22) Filed: **Feb. 4, 2014**

Primary Examiner — Philip S Hyder

(51) **LOC (10) Cl.** **21-01**

Assistant Examiner — Darlington Ly

(52) **U.S. Cl.**

(74) *Attorney, Agent, or Firm* — Michael Best & Friedrich LLP

USPC **D21/424**; D21/433; D12/83

(58) **Field of Classification Search**

USPC D12/3, 4, 5, 14, 85, 86, 87, 107, 110
See application file for complete search history.

(57) **CLAIM**

We claim the ornamental design for a children ride-on light-up sport utility vehicle, as shown and described.

DESCRIPTION

(56) **References Cited**

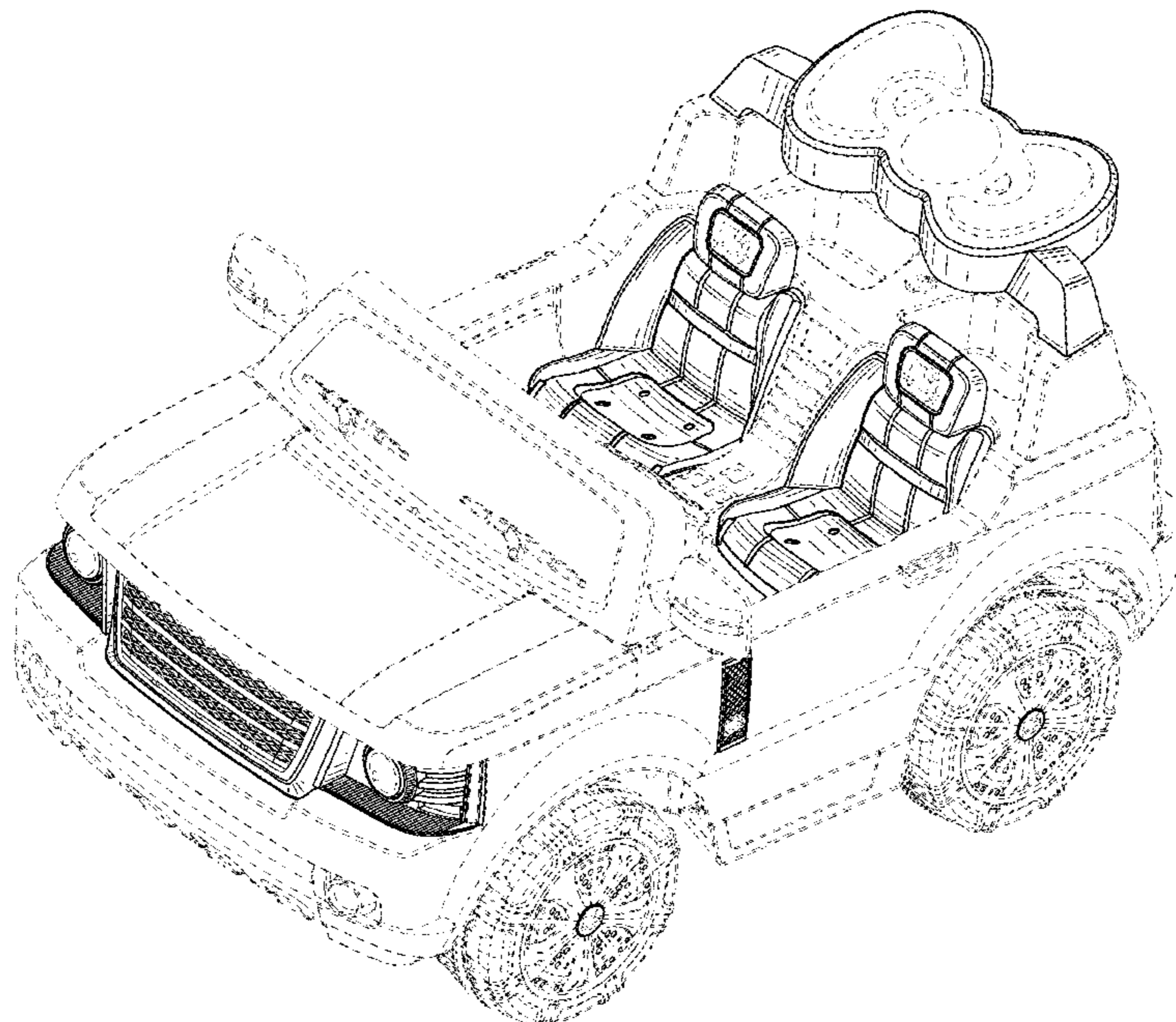
U.S. PATENT DOCUMENTS

D410,502 S *	6/1999	Harrod	D21/433
5,947,795 A *	9/1999	Cohen	446/469
D417,244 S *	11/1999	Yeh et al.	D21/433
D417,245 S *	11/1999	Wang	D21/433
D422,320 S *	4/2000	Huntsberger	D21/433
D424,630 S *	5/2000	Tasy	D21/433
6,105,982 A *	8/2000	Howell et al.	280/91.1
D431,845 S *	10/2000	Huntsberger	D21/434
6,347,679 B1 *	2/2002	Dignitti et al.	180/68.5
D464,086 S *	10/2002	Wu	D21/433

FIG. 1 is a perspective view of a children ride-on light-up sport utility vehicle embodying the invention. FIG. 2 is a left side elevation view thereof; FIG. 3 is a right side elevation view thereof; FIG. 4 is a front elevation view thereof; FIG. 5 is a rear elevation view thereof; and, FIG. 6 is a top plan view thereof.

The broken lines shown in the drawings illustrate portions of the children ride-on light-up sport utility vehicle that forms no part of the claimed design.

1 Claim, 5 Drawing Sheets



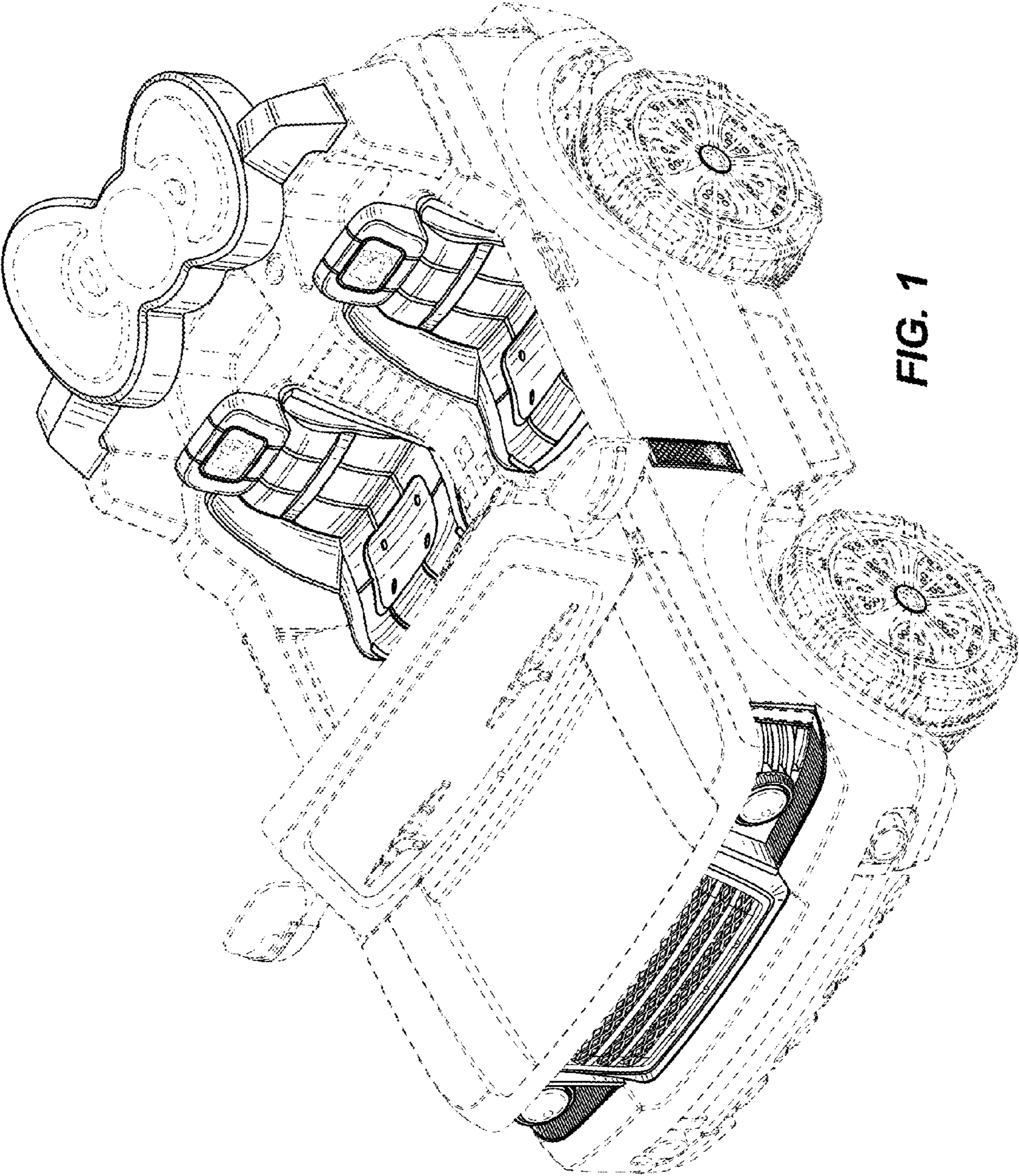


FIG. 1

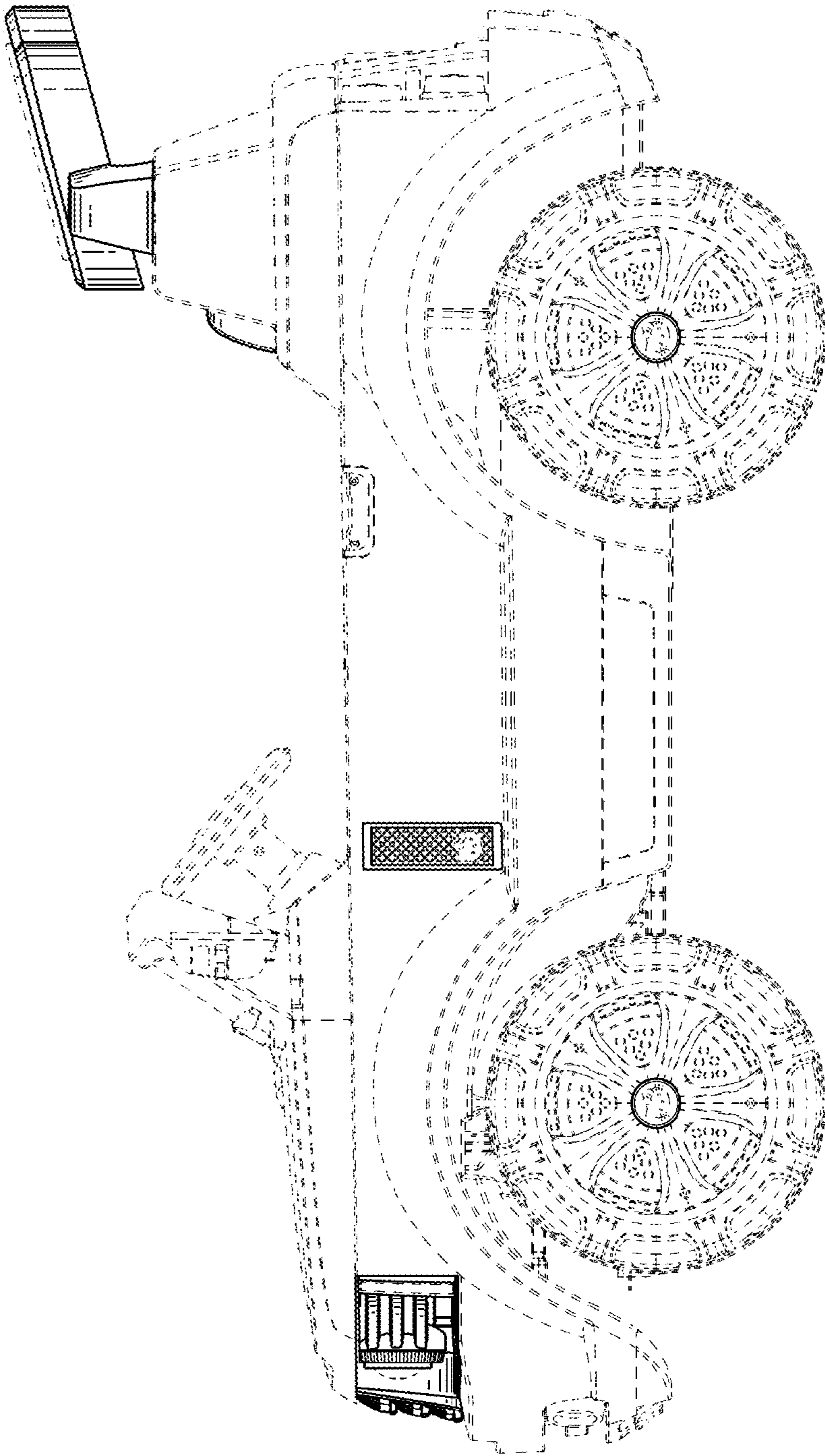


FIG. 2

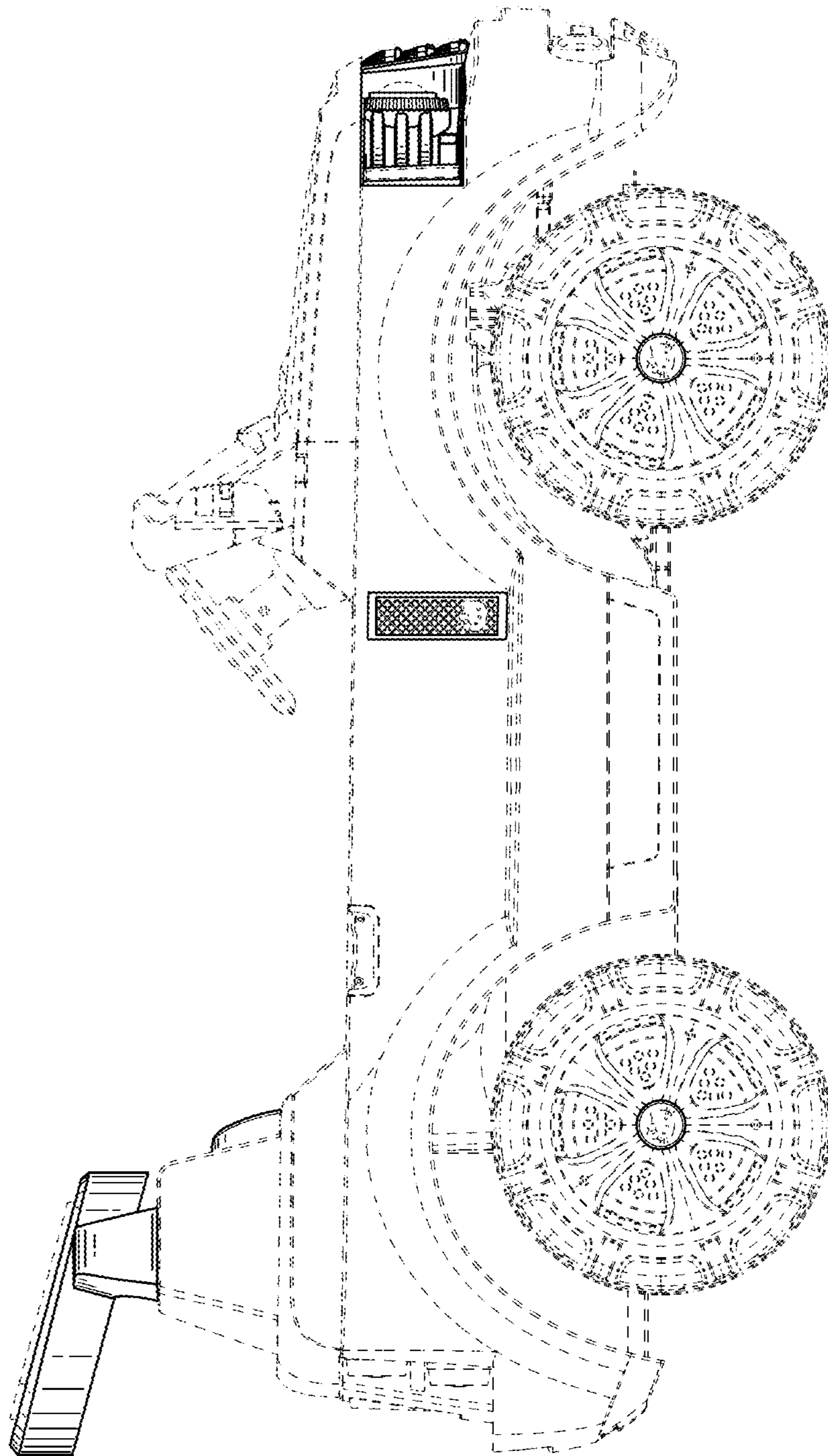


FIG. 3

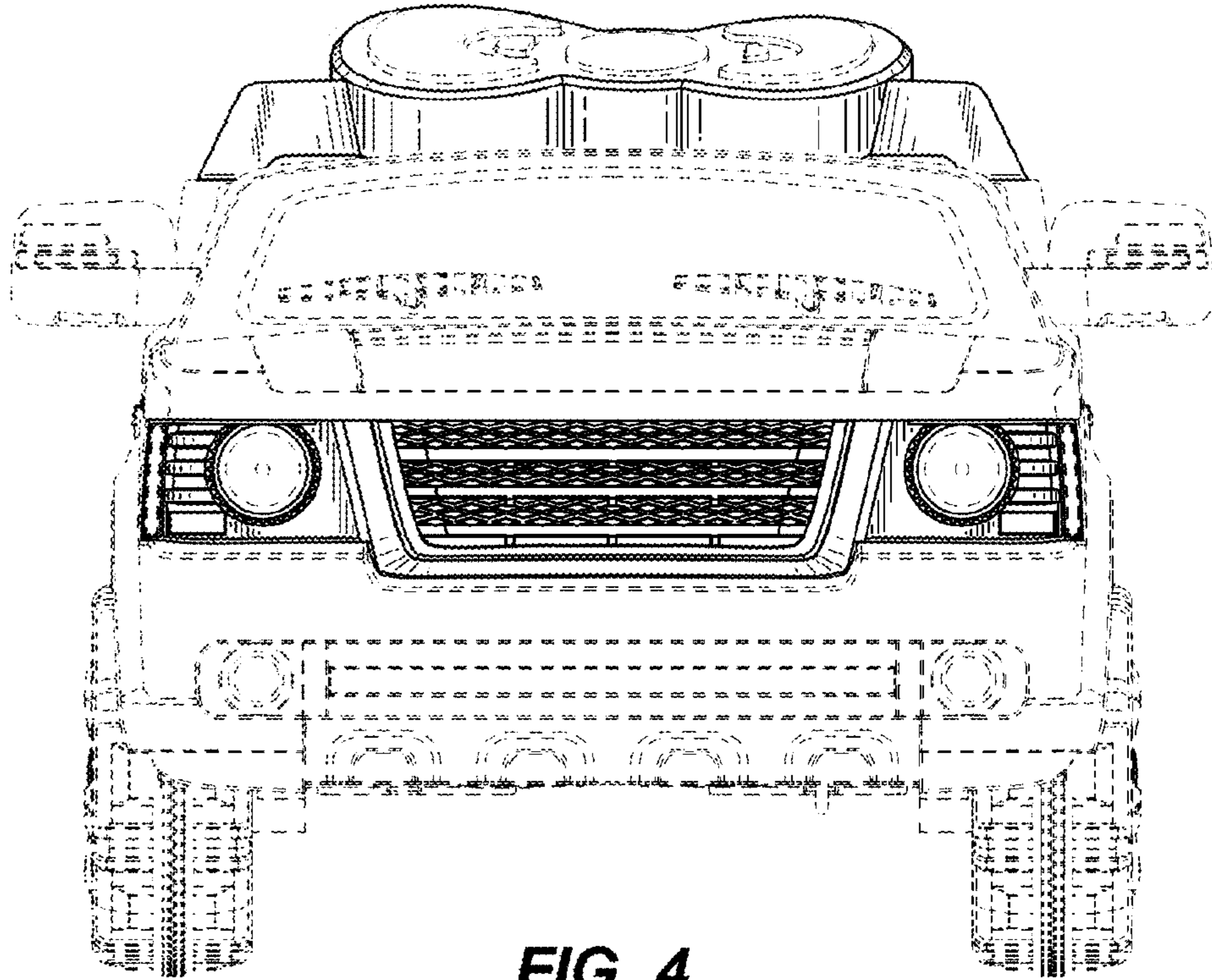


FIG. 4

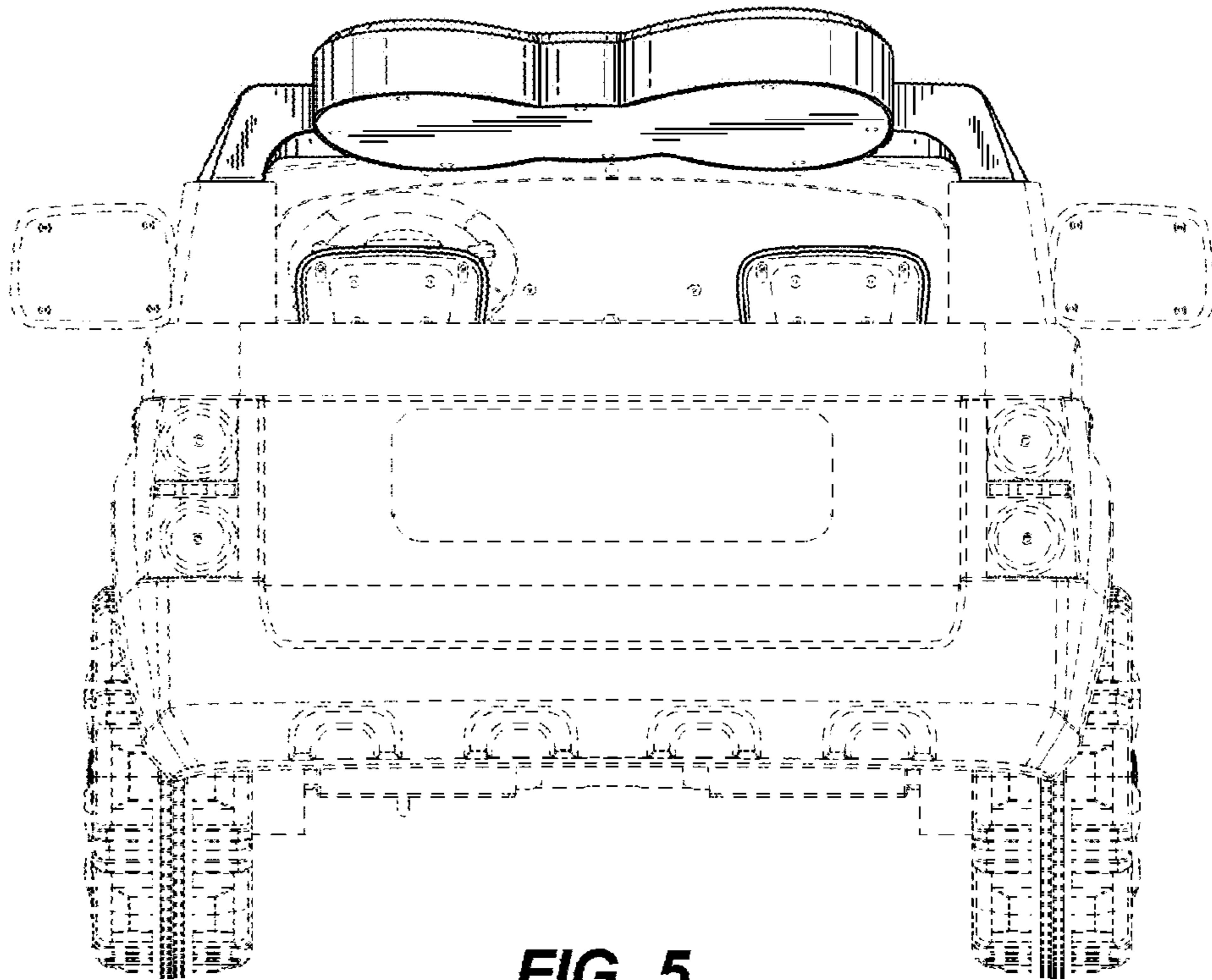


FIG. 5

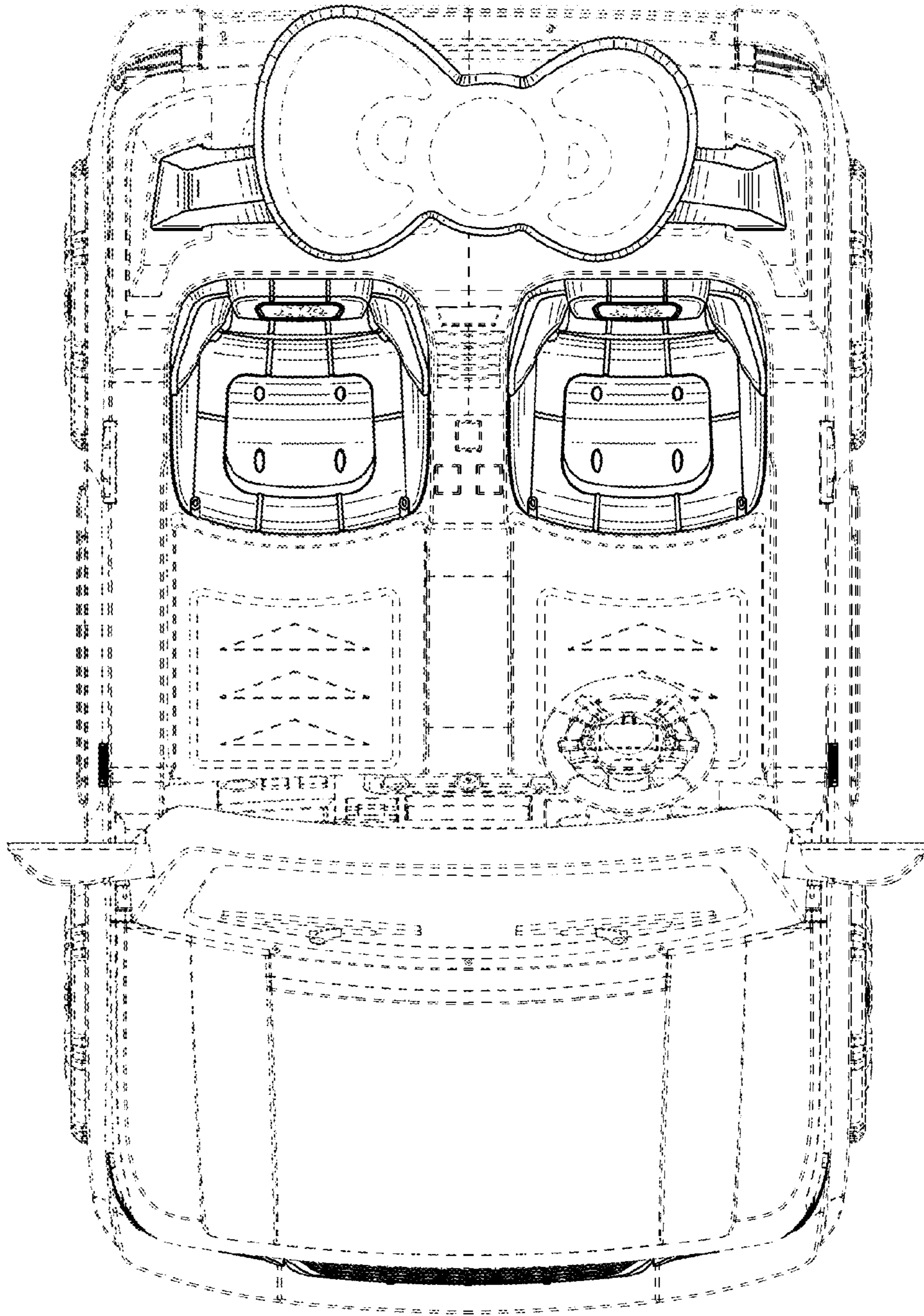


FIG. 6