



US00D728032S

(12) **United States Design Patent**
Salvatore

(10) **Patent No.:** **US D728,032 S**
(45) **Date of Patent:** **** Apr. 28, 2015**

- (54) **NOISE MAKER**
- (71) Applicant: **Don Salvatore**, King City (CA)
- (72) Inventor: **Don Salvatore**, King City (CA)
- (**) Term: **14 Years**
- (21) Appl. No.: **29/500,083**
- (22) Filed: **Aug. 21, 2014**

1,374,644 A	4/1921	Folkush	
1,693,140 A	11/1928	Dietze, Jr.	
1,764,982 A	6/1930	Reich et al.	
1,840,773 A	1/1932	Felgner	
D151,599 S	11/1948	Colm	
4,454,204 A	6/1984	Posey	
D278,642 S *	4/1985	Martinez	D21/406
D338,930 S	8/1993	Matchett et al.	
D364,653 S	11/1995	Boden	
D364,654 S	11/1995	Boden	
D405,843 S *	2/1999	Palardis	D21/406
D422,646 S	4/2000	Palardis et al.	
D440,252 S	4/2001	Cohen	

Related U.S. Application Data

- (62) Division of application No. 29/427,029, filed on Jul. 12, 2012, now Pat. No. Des. 714,395.

Foreign Application Priority Data

- May 10, 2012 (CA) 145650

(51) **LOC (10) Cl.** **21-01**

(52) **U.S. Cl.**
USPC **D21/405**

(58) **Field of Classification Search**
USPC D21/398, 405-408; D17/22, 24, 99;
D20/29, 41, 99; D10/116.1, 118,
D10/119.4; 446/81, 265, 266, 397,
446/418-422, 487; 84/402-404
See application file for complete search history.

(56) **References Cited**

U.S. PATENT DOCUMENTS

13,823 A	11/1855	McCord	
174,704 A	3/1876	Rice	
298,575 A *	5/1884	Goodfellow	446/265
D21,764 S	8/1892	Crandall	
759,003 A *	5/1904	McCann	446/420
1,173,141 A	2/1916	Bartholomae	

(Continued)

FOREIGN PATENT DOCUMENTS

GB 2054967 7/1996

Primary Examiner — Catherine Tuttle

(74) *Attorney, Agent, or Firm* — Wolf, Greenfield & Sacks, P.C.

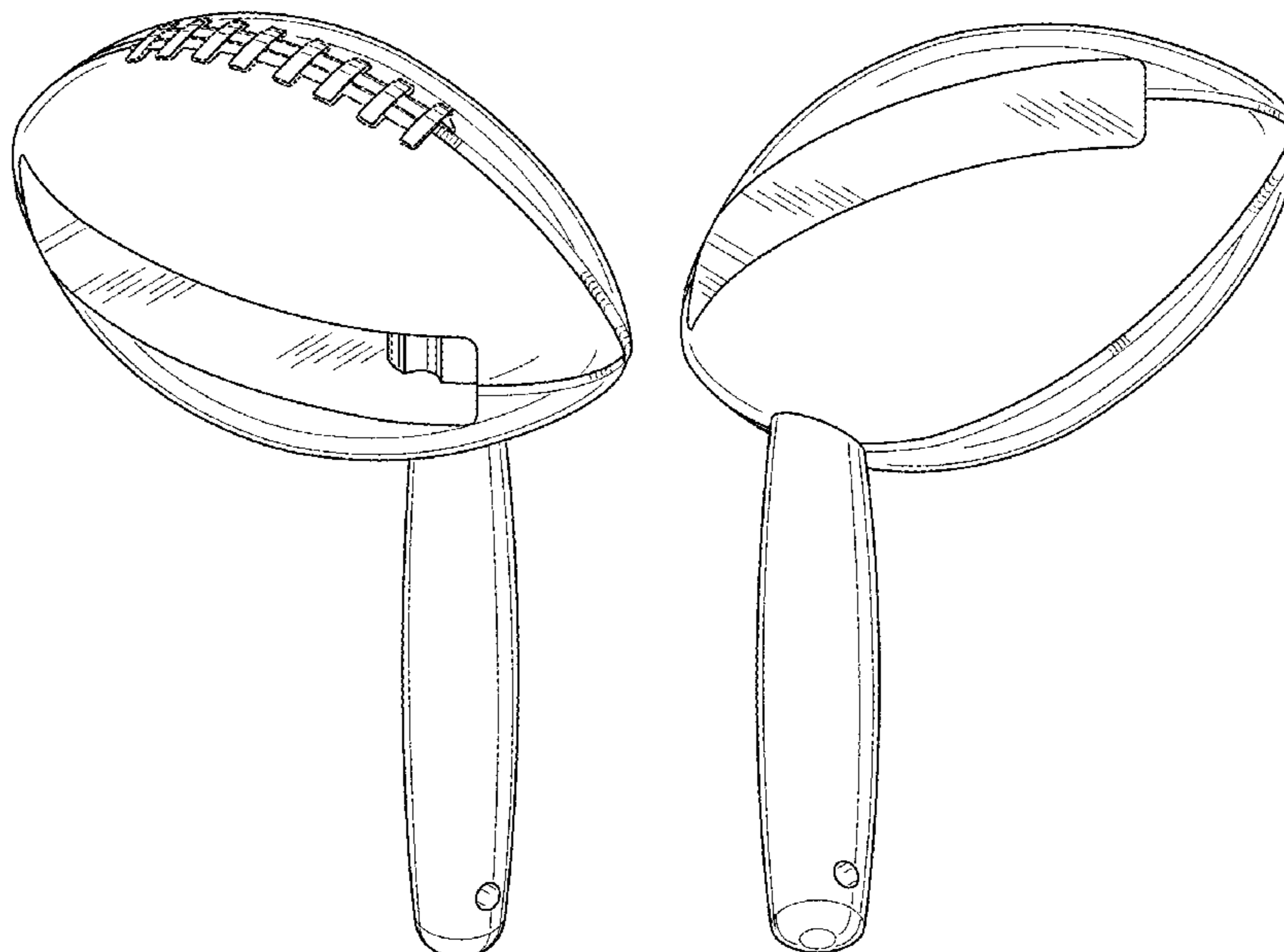
(57) **CLAIM**

The ornamental design for the noise maker, as shown and described.

DESCRIPTION

FIG. 1 is a front, right and top perspective view of a noise maker showing my new design;
FIG. 2 is a rear, left and bottom perspective view thereof;
FIG. 3 is a front elevation view thereof;
FIG. 4 is a right side elevation view thereof;
FIG. 5 is a rear elevation view thereof;
FIG. 6 is a left side elevation view thereof;
FIG. 7 is a top plan view thereof; and,
FIG. 8 is a bottom plan view thereof.

1 Claim, 4 Drawing Sheets



(56)

References Cited

U.S. PATENT DOCUMENTS

D459,382 S 6/2002 Cohen
D459,749 S 7/2002 Cohen
6,736,695 B1 5/2004 Hoch
6,817,922 B1 11/2004 Davies
D504,163 S * 4/2005 Williams-Nicholas D21/405
D546,898 S 7/2007 Cooper

D551,721 S * 9/2007 Cooper D21/406
D633,569 S * 3/2011 Jarrett D20/29
D677,321 S * 3/2013 Lochen D17/22
D684,493 S * 6/2013 Castle et al. D10/119.4
D689,122 S * 9/2013 Lochen D17/10
2003/0222404 A1 * 12/2003 Estrada et al. 273/440
2006/0166598 A1 7/2006 Hoch

* cited by examiner

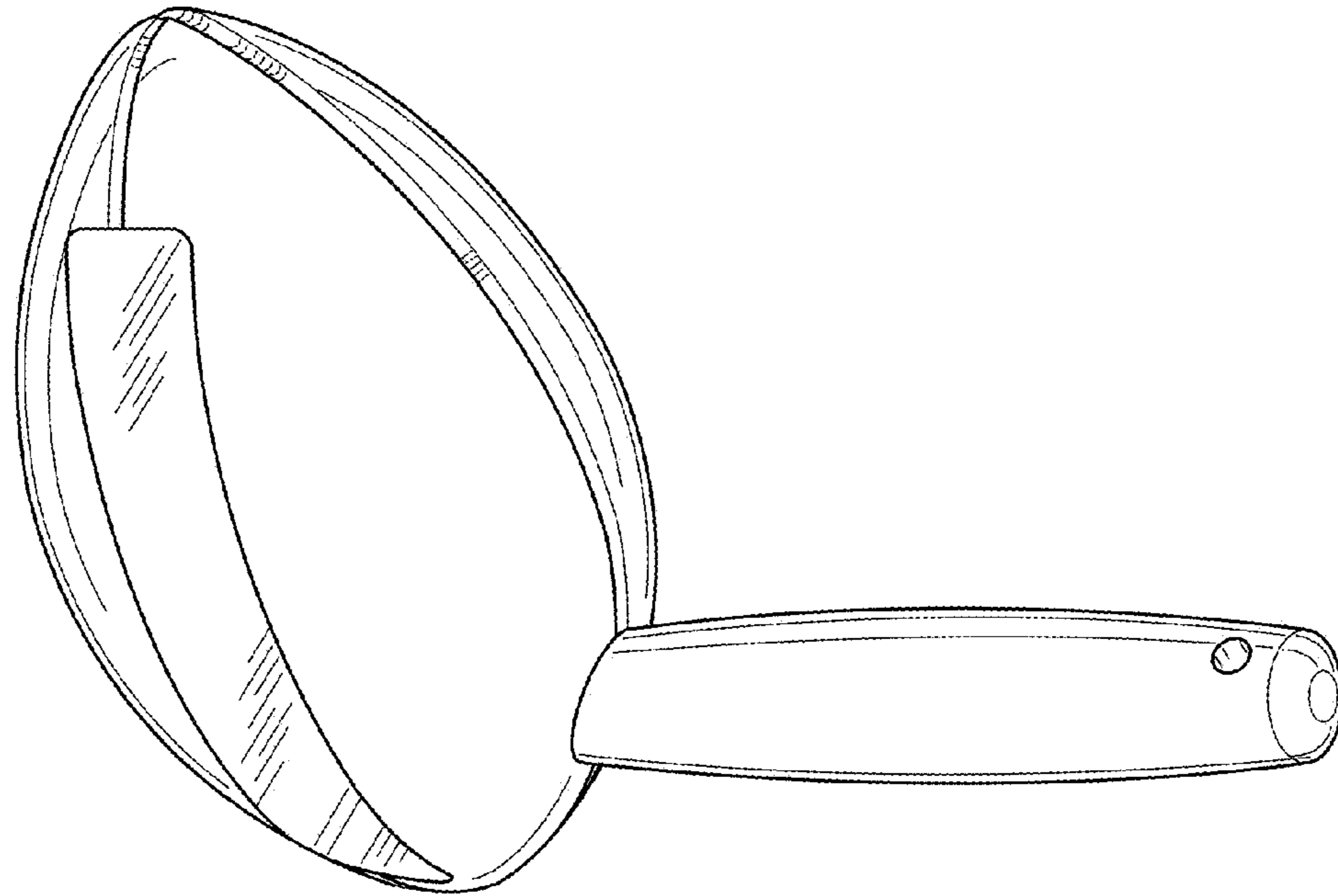


FIG. 2

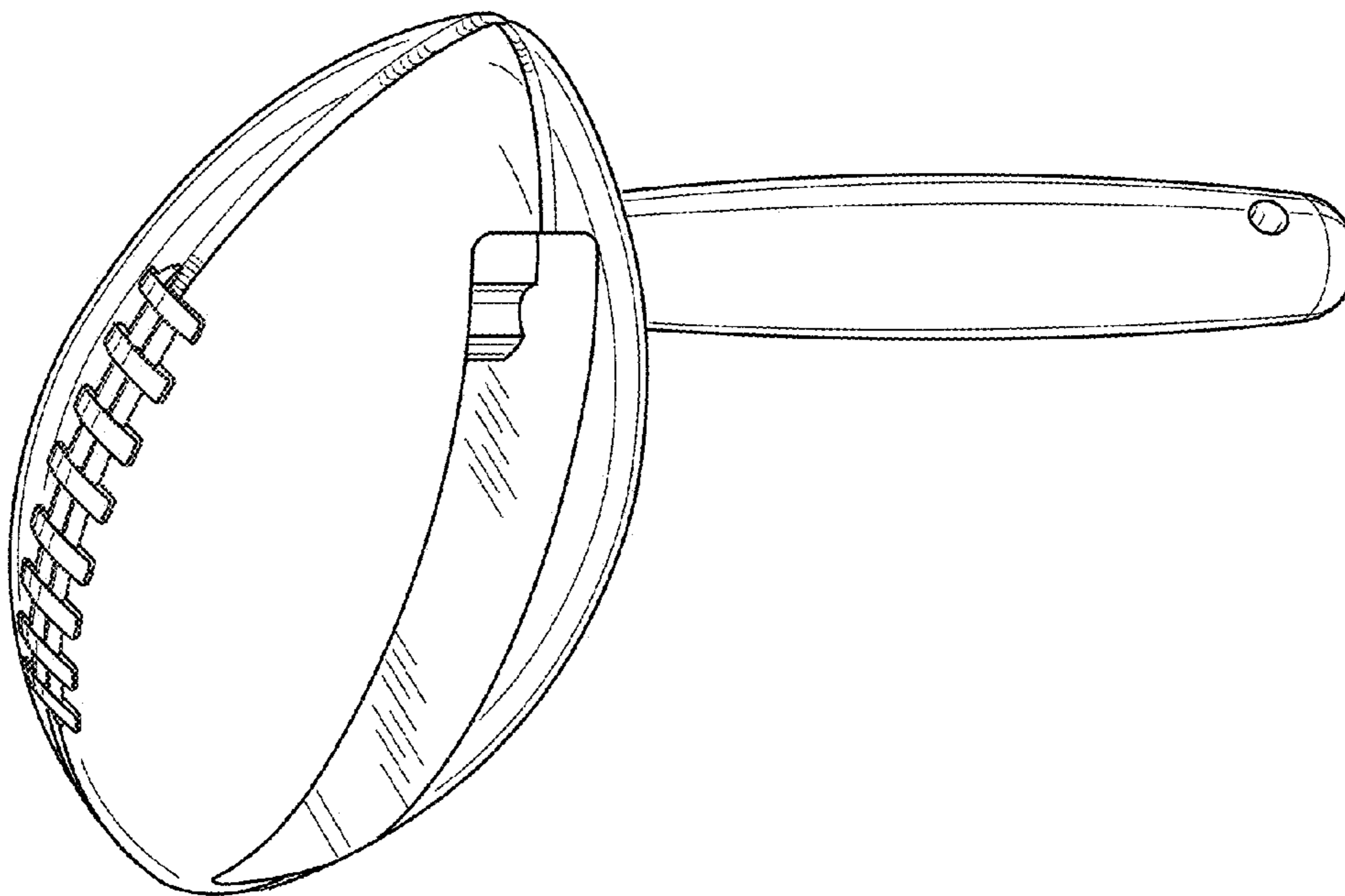


FIG. 1

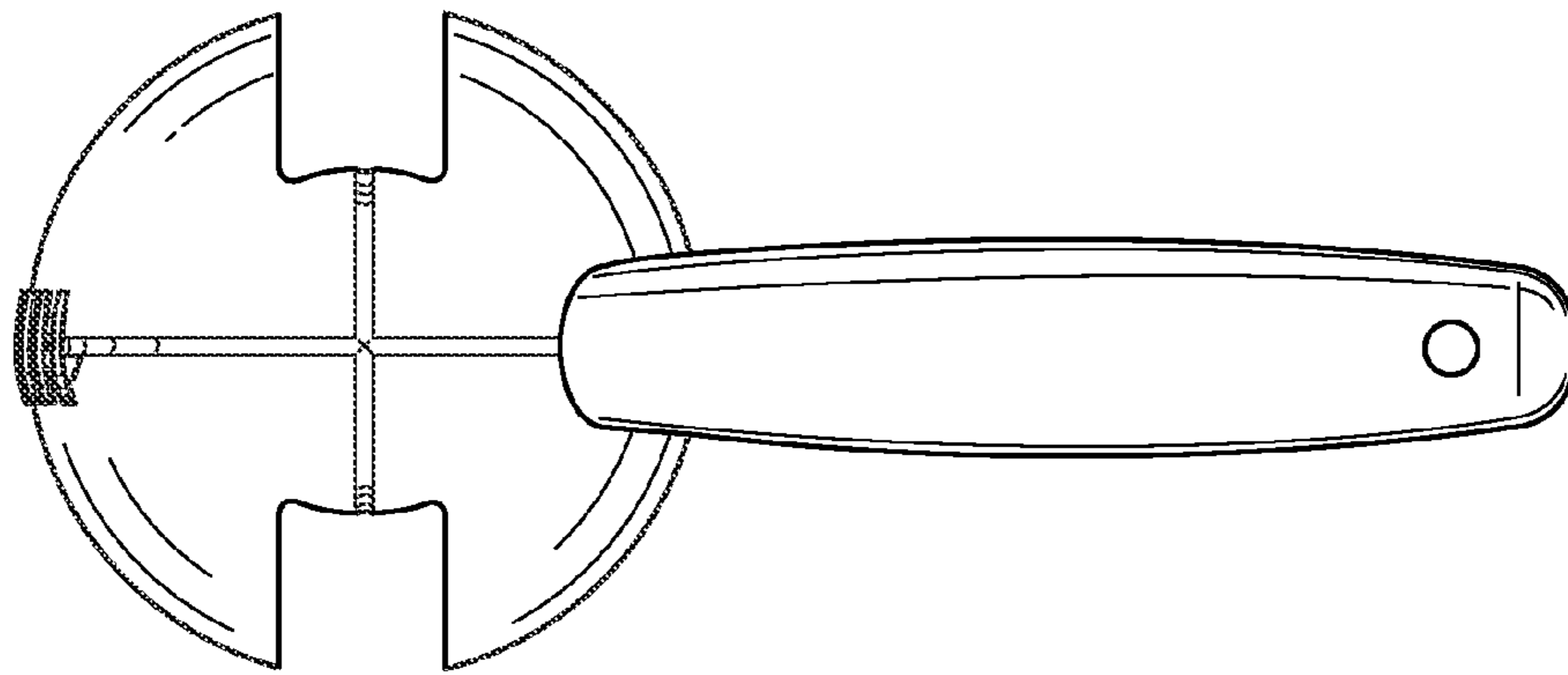


FIG. 4

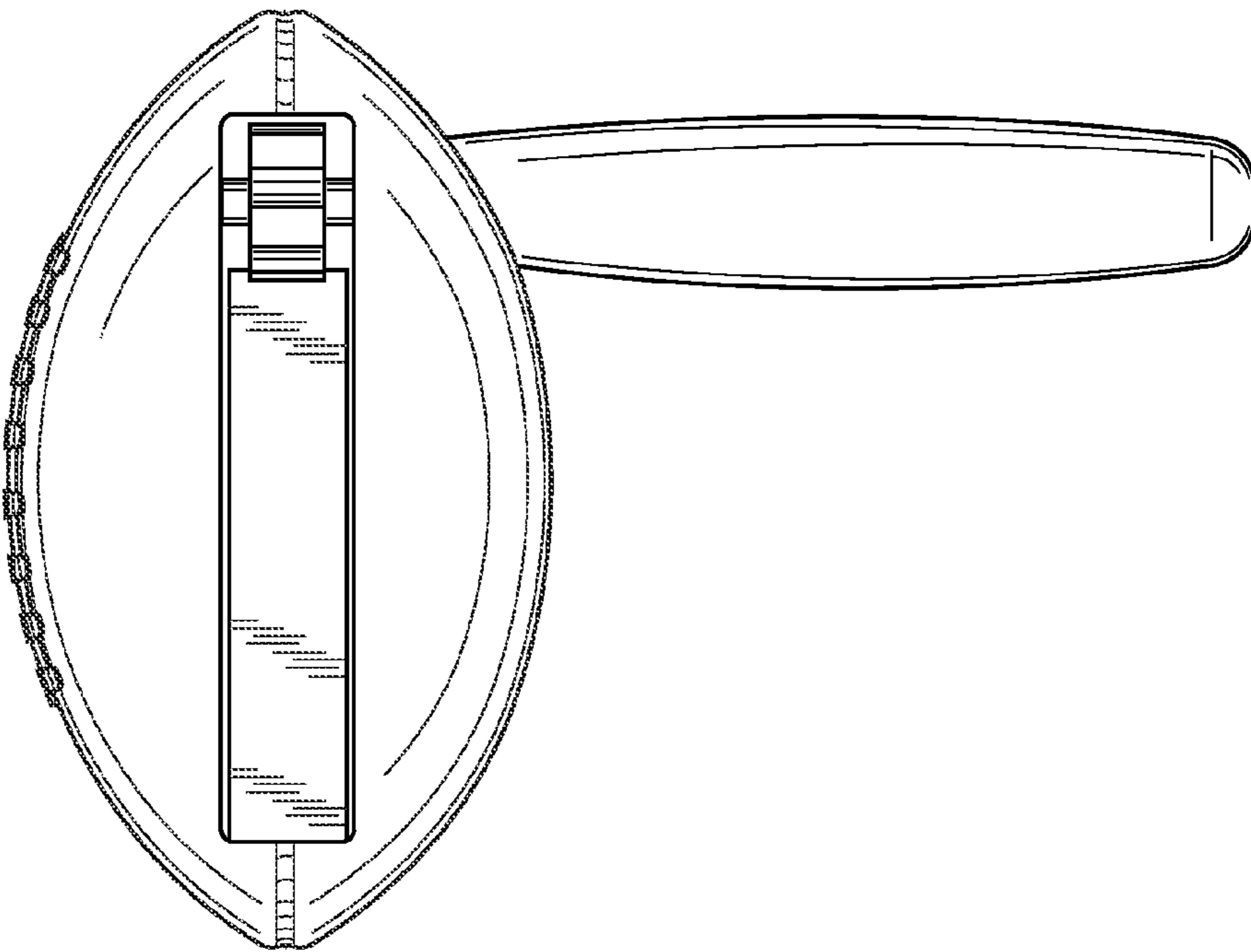


FIG. 3

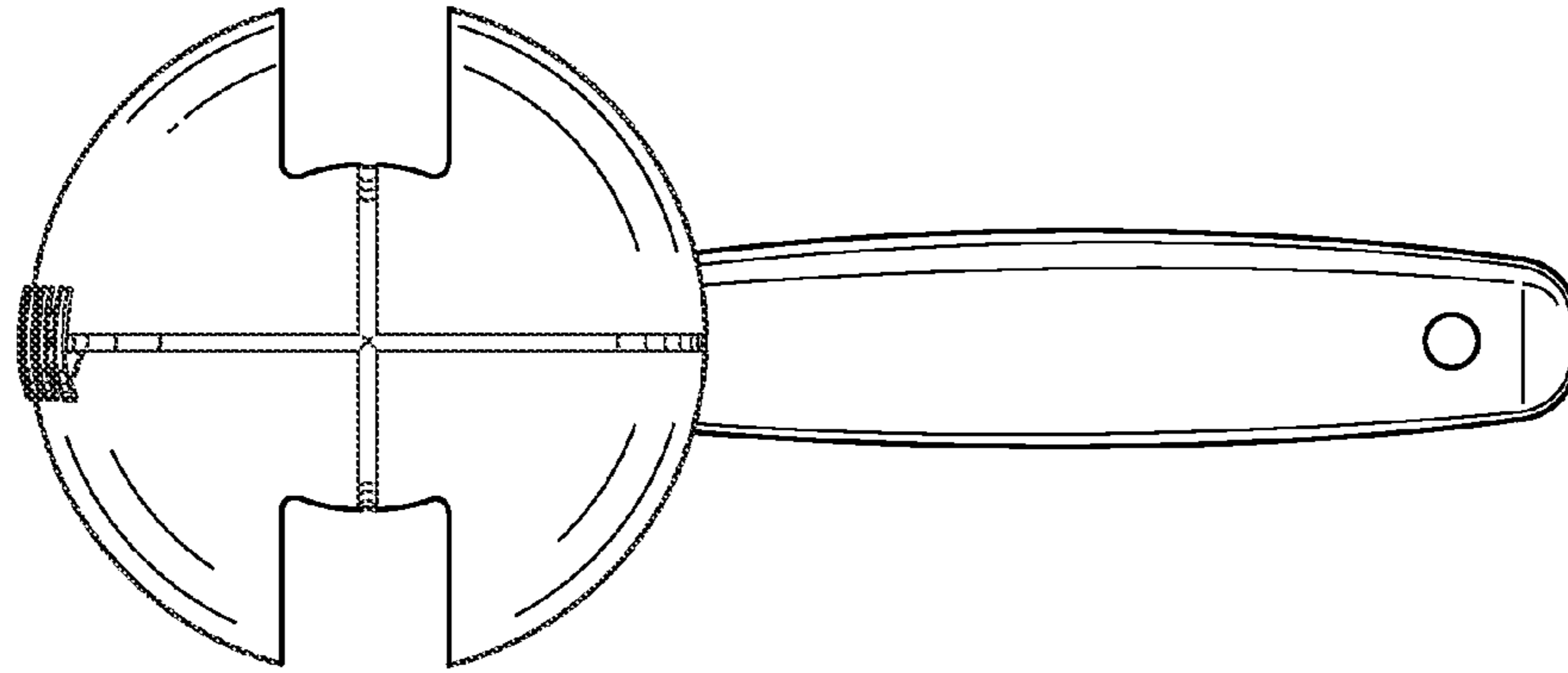


FIG. 6

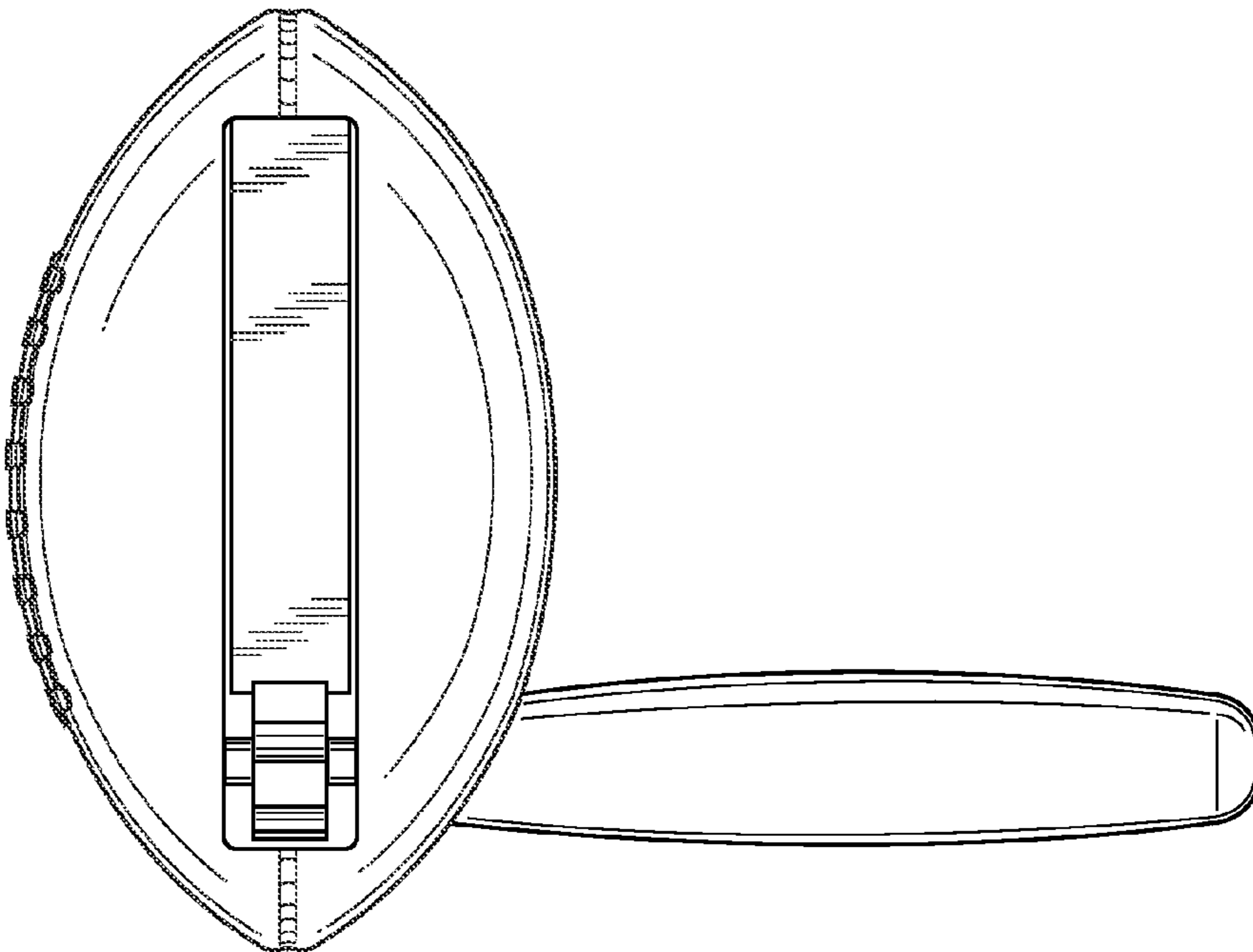


FIG. 5

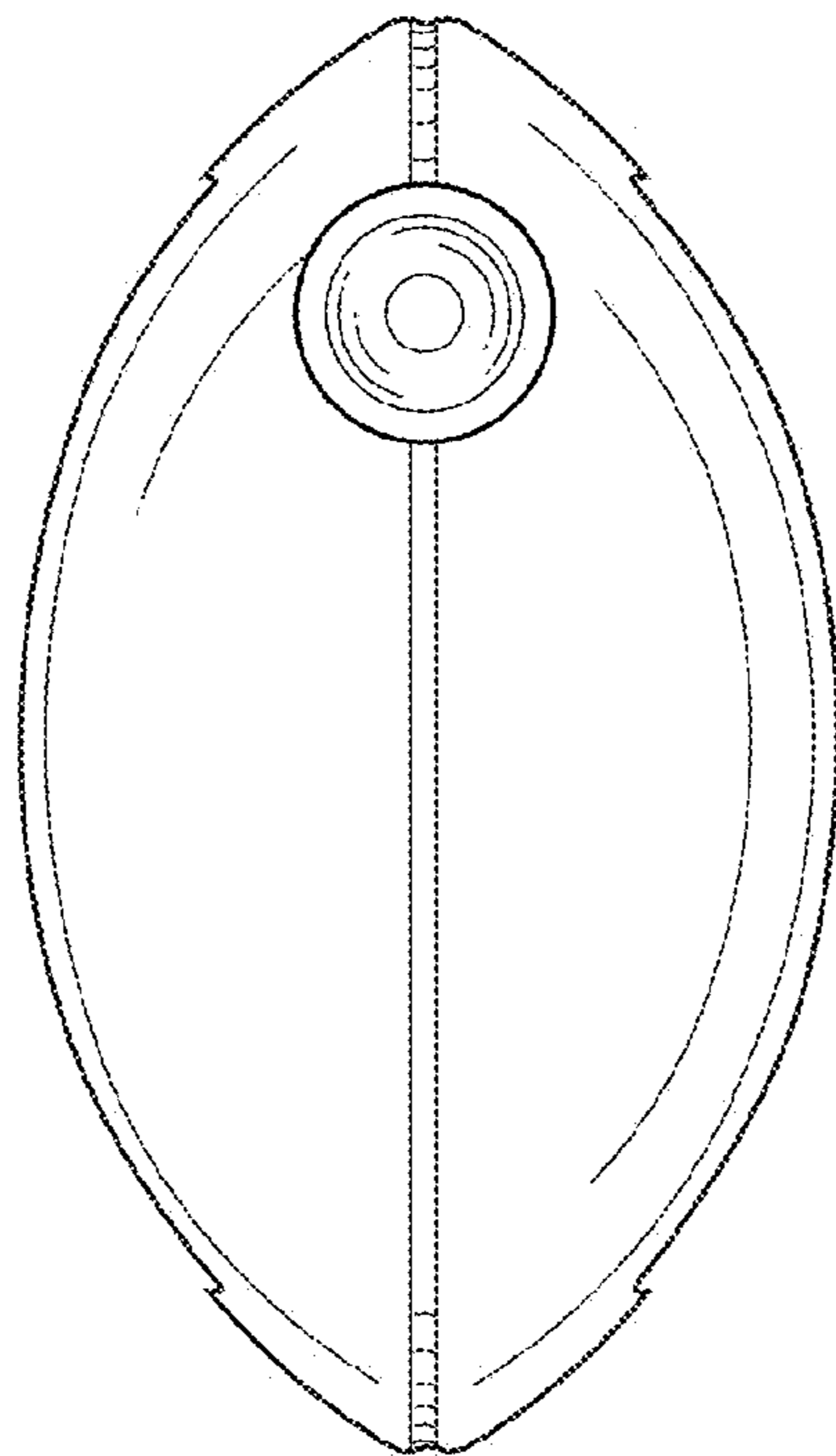


FIG. 8

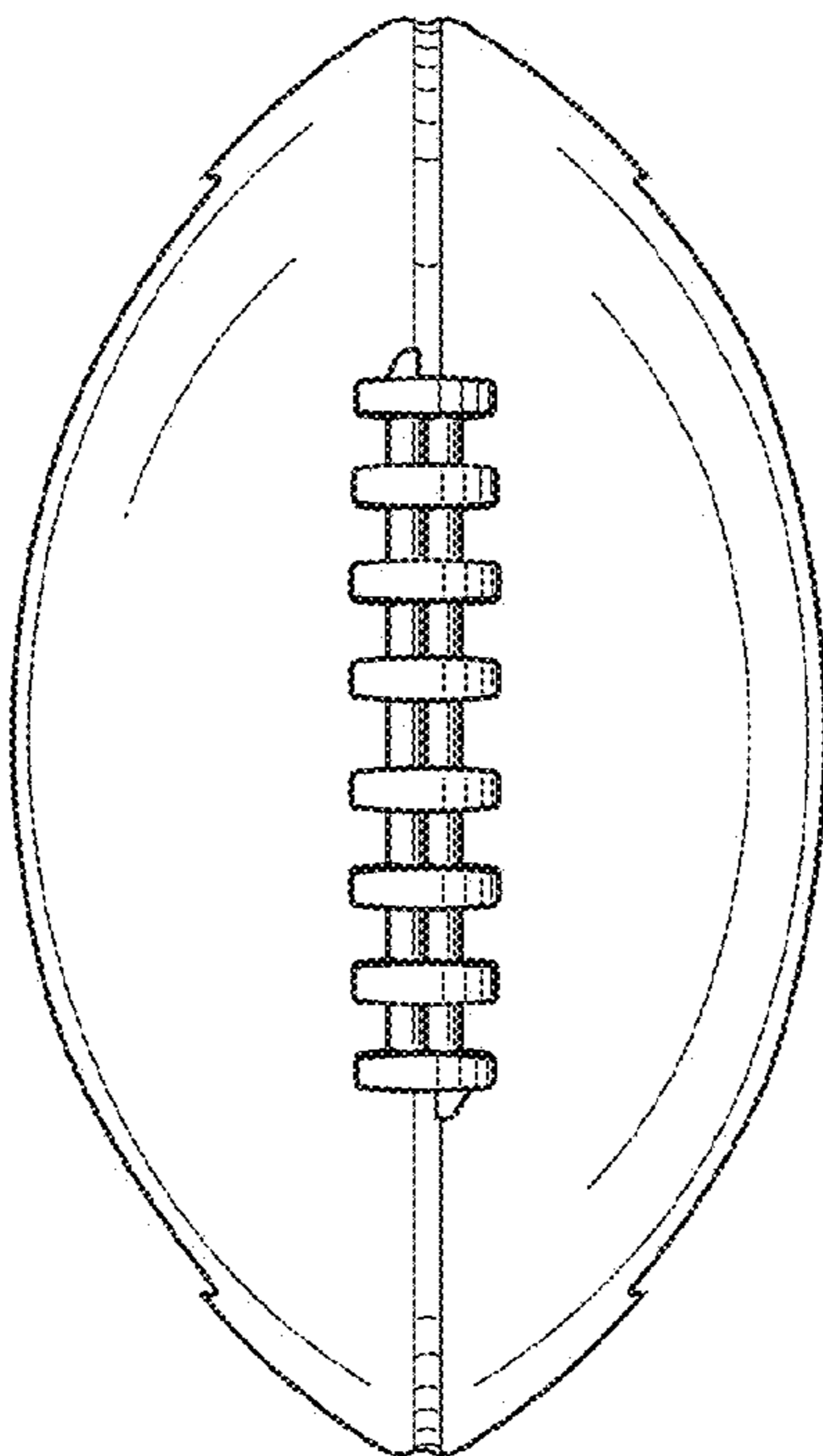


FIG. 7