

US00D728030S

(12) **United States Design Patent**
Burgess et al.

(10) **Patent No.:** **US D728,030 S**

(45) **Date of Patent:** **** Apr. 28, 2015**

(54) **CONTROLLER TRIGGER**

(71) Applicant: **Ironburg Inventions Ltd**, Wincanton,
Somerset (GB)

(72) Inventors: **Simon Burgess**, Leicester (GB);
Duncan Ironmonger, Atlanta, GA (US)

(73) Assignee: **Ironburg Inventions Ltd.**, Wincanton,
Somerset (GB)

(**) Term: **14 Years**

(21) Appl. No.: **29/481,483**

(22) Filed: **Feb. 6, 2014**

(51) **LOC (10) Cl.** **21-01**

(52) **U.S. Cl.**
USPC **D21/333**

(58) **Field of Classification Search**
USPC D21/324, 328, 333, 385, 477, 566;
D14/399-402, 412, 414, 416, 432,
D14/454; 273/148 B, 449, 441, 442; 463/1,
463/29-35, 46, 47; 345/156, 161; 434/45,
434/46; 327/185, 230, 219, 187
See application file for complete search history.

(56) **References Cited**

U.S. PATENT DOCUMENTS

D371,773 S * 7/1996 Sanchez et al. D14/412
D372,053 S * 7/1996 Couch et al. D14/412

5,883,690 A * 3/1999 Meyers et al. 345/161
6,322,449 B1 * 11/2001 Klitsner et al. 463/37
6,636,197 B1 * 10/2003 Goldenberg et al. 345/156
D487,749 S * 3/2004 Stewart et al. D14/454
6,740,830 B2 * 5/2004 Sato et al. 200/343
6,769,689 B1 * 8/2004 Shimomura et al. 273/148 B
D666,681 S * 9/2012 Coulter D21/454
8,480,491 B2 * 7/2013 Burgess et al. 463/37
8,506,369 B2 * 8/2013 Grant et al. 463/2
8,876,603 B1 * 11/2014 Welch 463/36

* cited by examiner

Primary Examiner — Prabhakar Deshmukh

(74) *Attorney, Agent, or Firm* — Stephen Terrell; Parks
Wood LLC

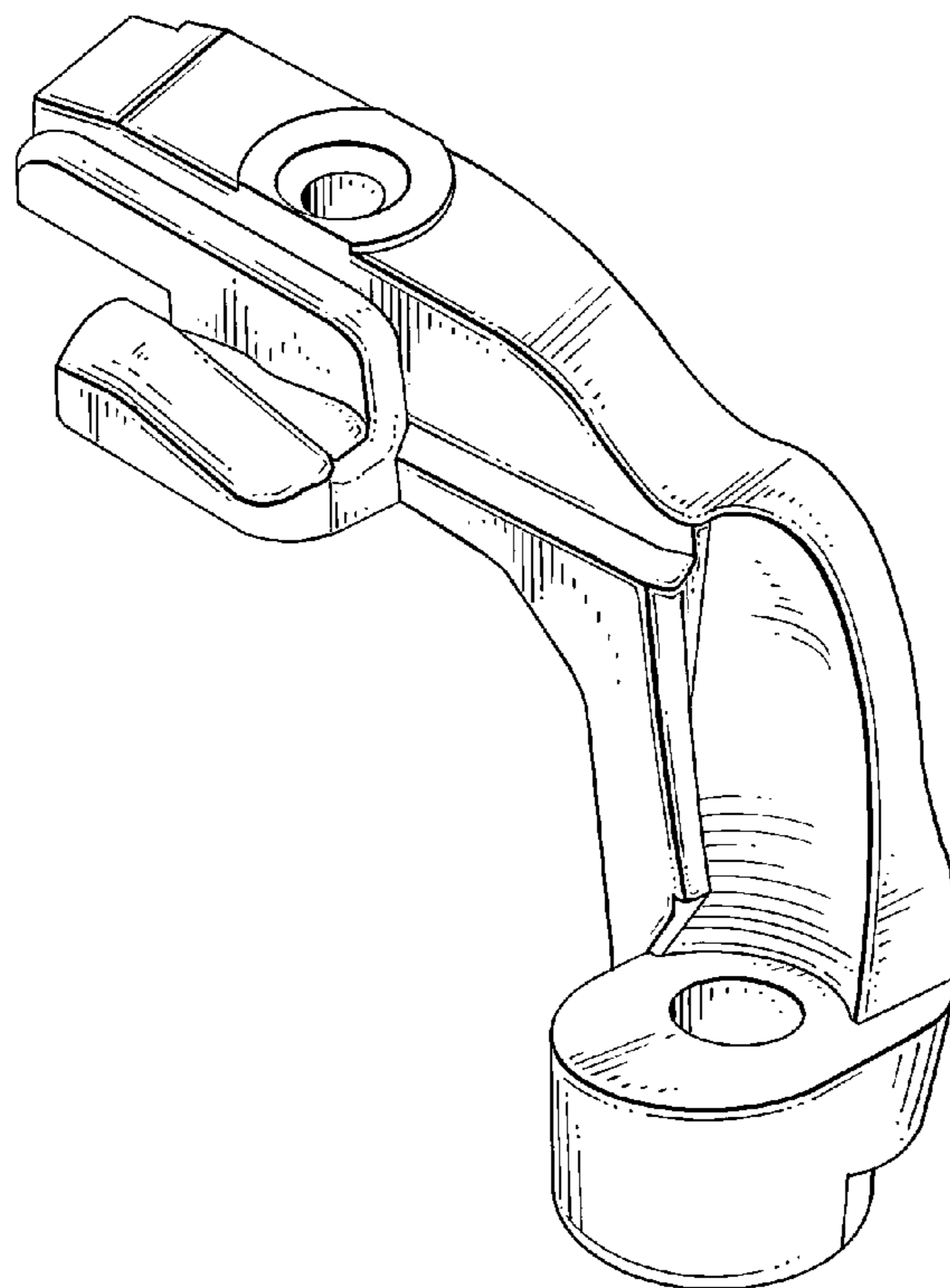
(57) **CLAIM**

The ornamental design for a controller trigger, as shown and
described.

DESCRIPTION

FIG. 1 is a perspective view of a controller trigger showing
our new design;
FIG. 2 is a another perspective view thereof;
FIG. 3 is a front elevational view thereof;
FIG. 4 is a rear elevational view thereof;
FIG. 5 is a top plan view thereof;
FIG. 6 is a bottom plan view thereof;
FIG. 7 is a left side elevational view thereof; and,
FIG. 8 is a right side elevational view thereof.

1 Claim, 4 Drawing Sheets



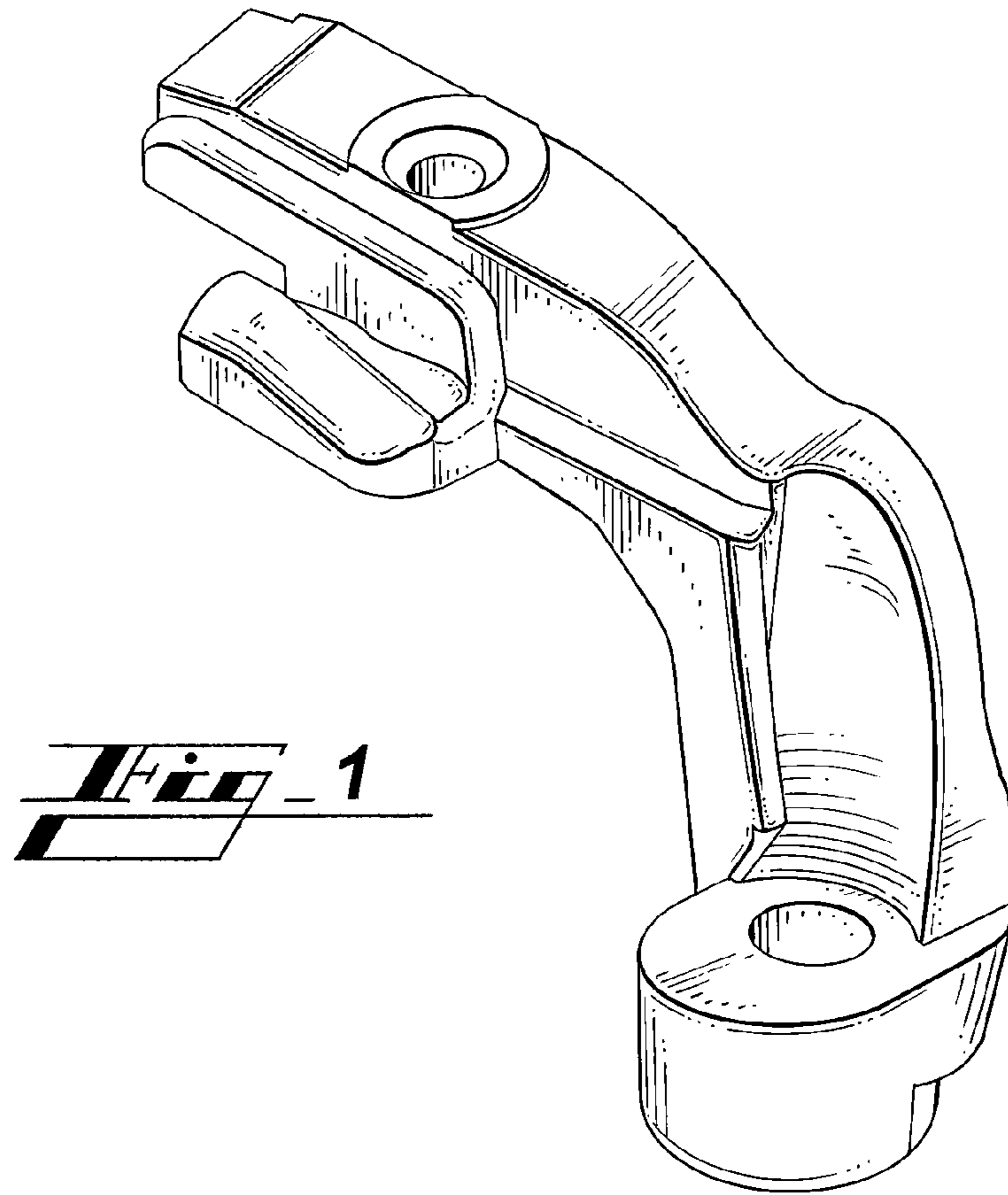


Fig. 1

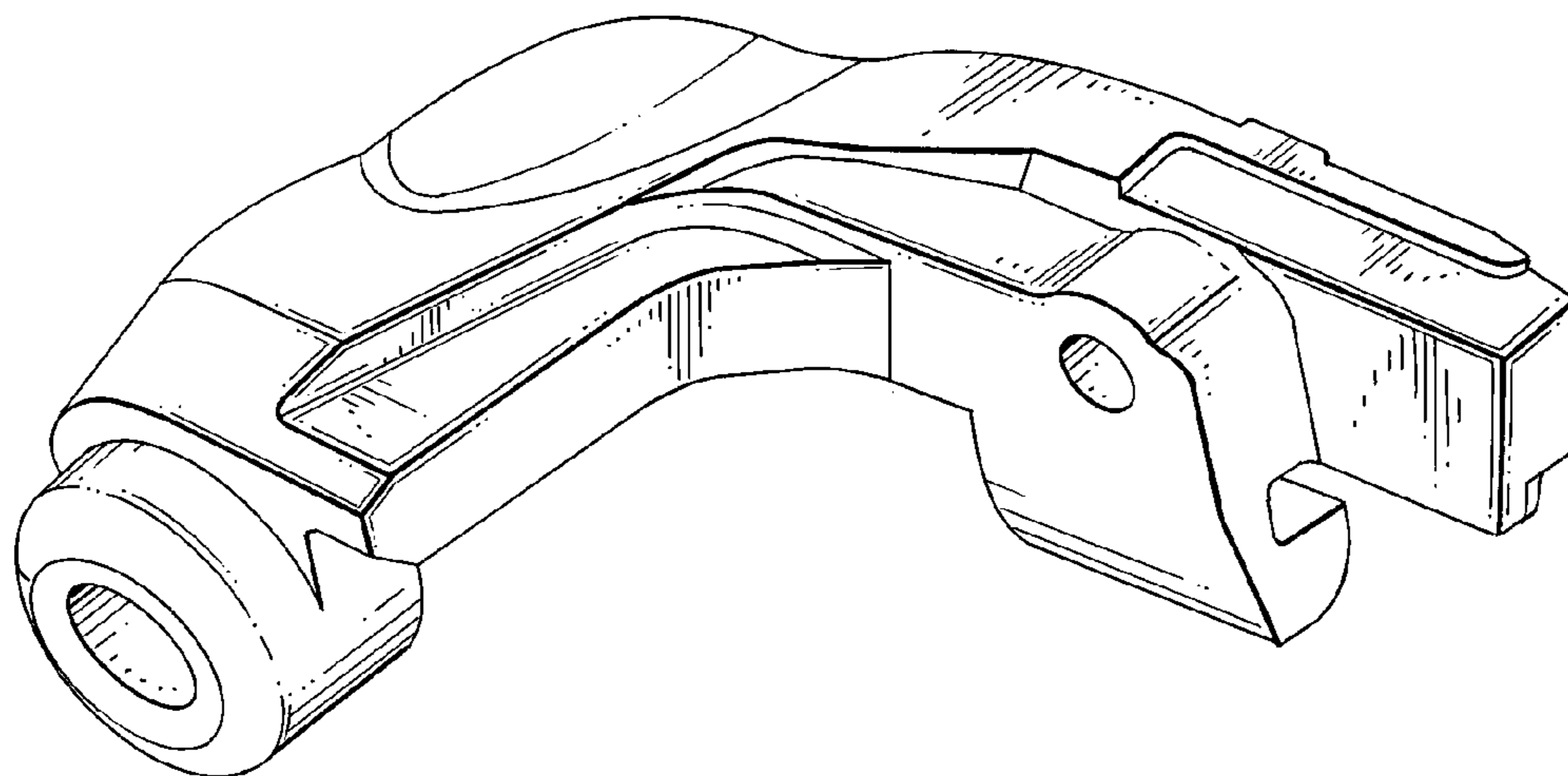


Fig. 2

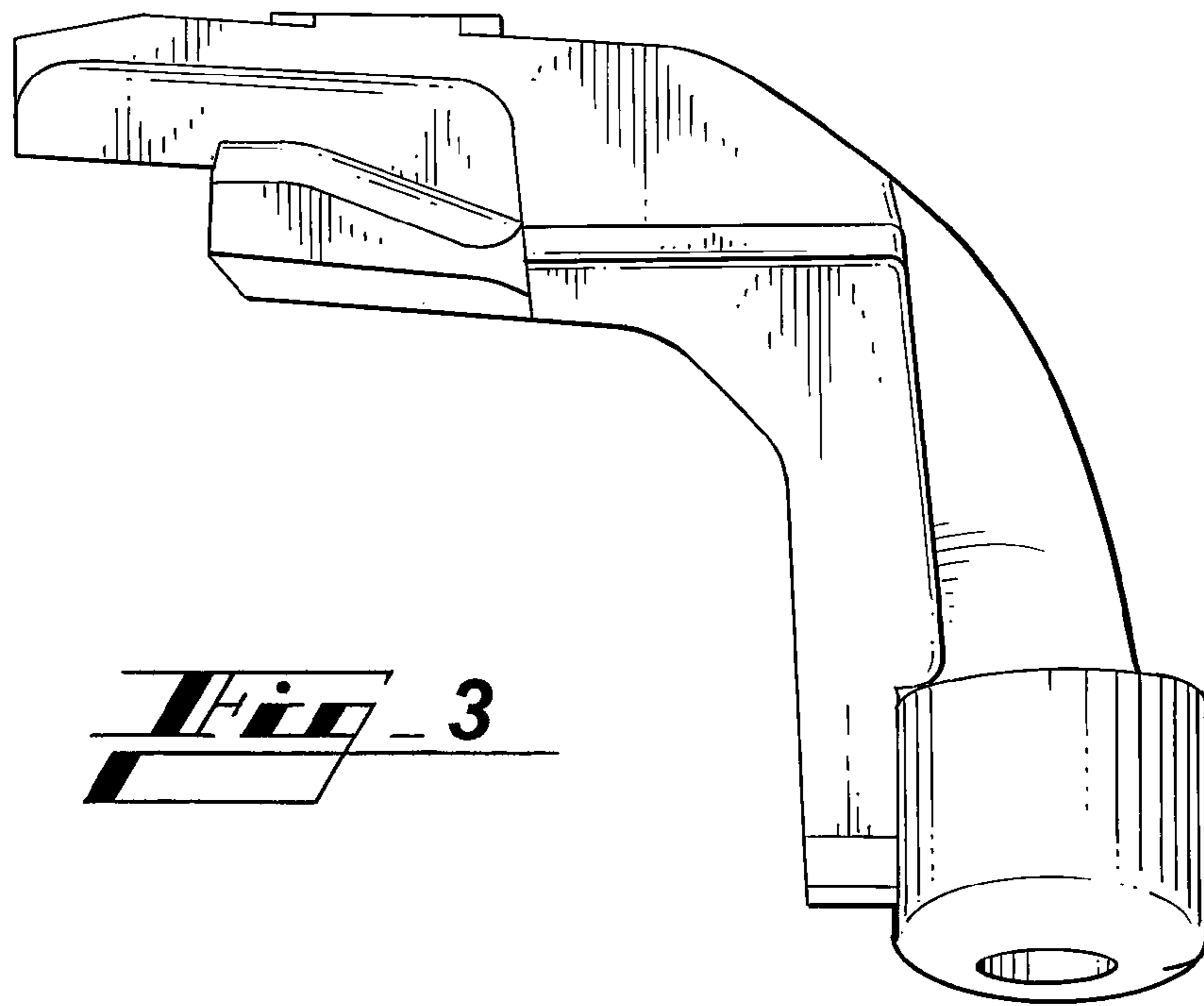


Fig. 3

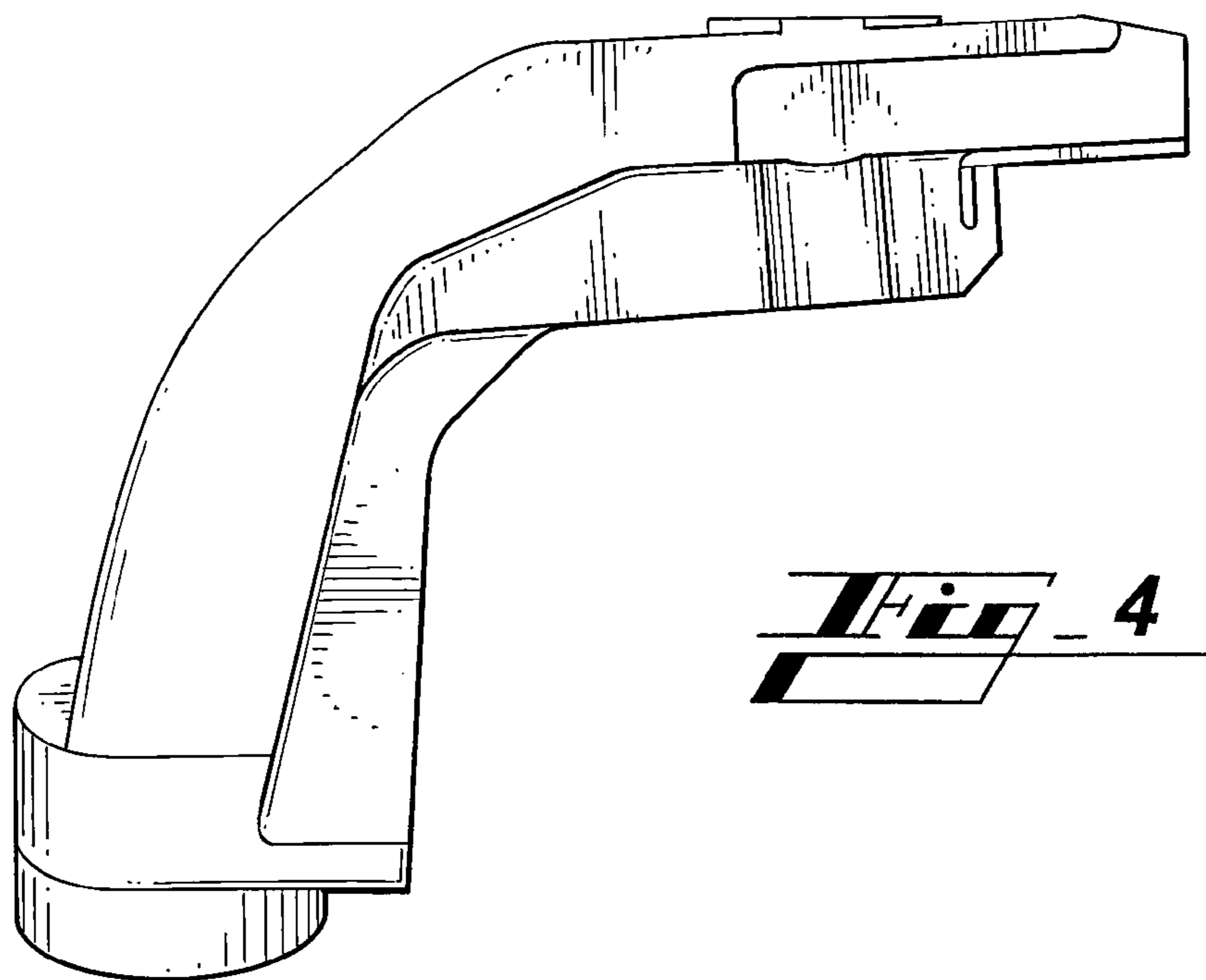


Fig. 4

Fig. 5

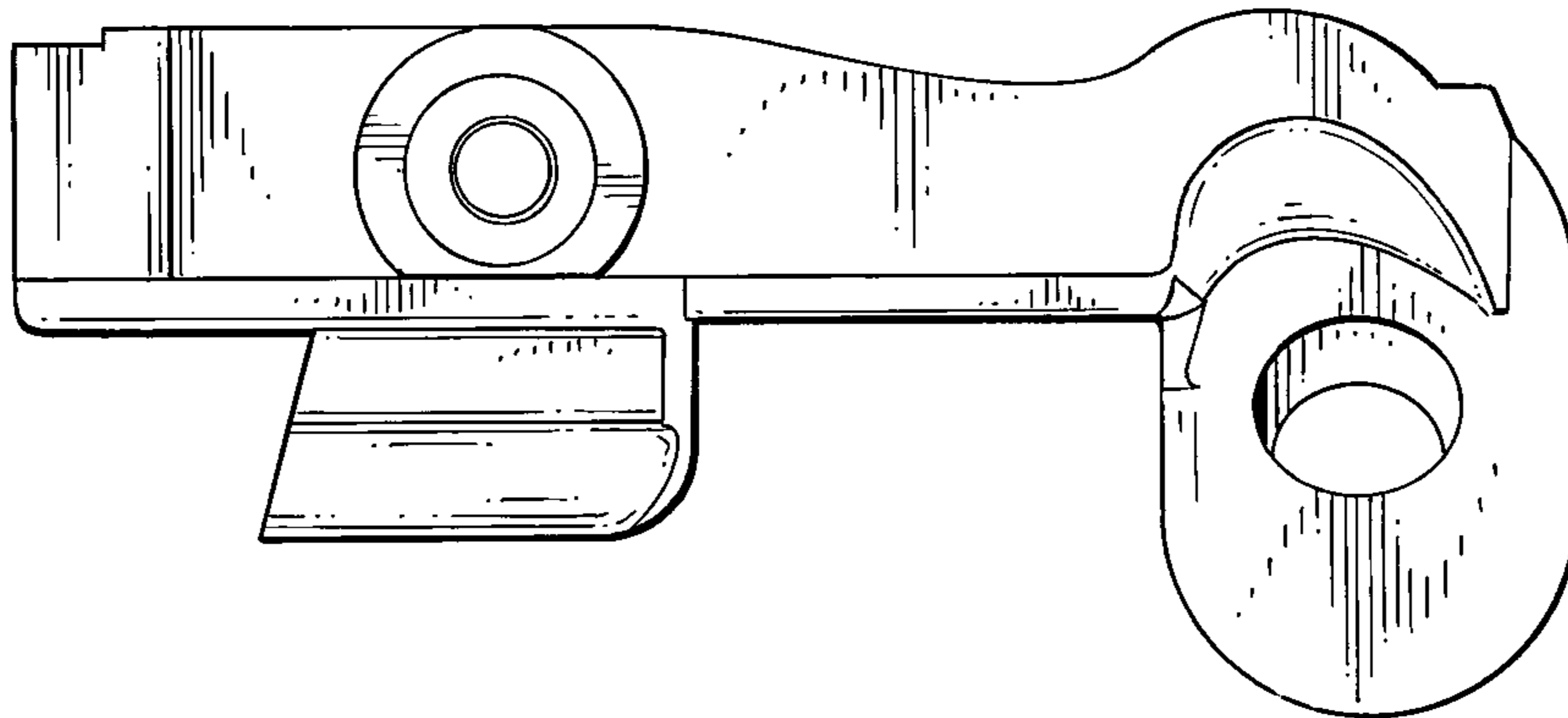
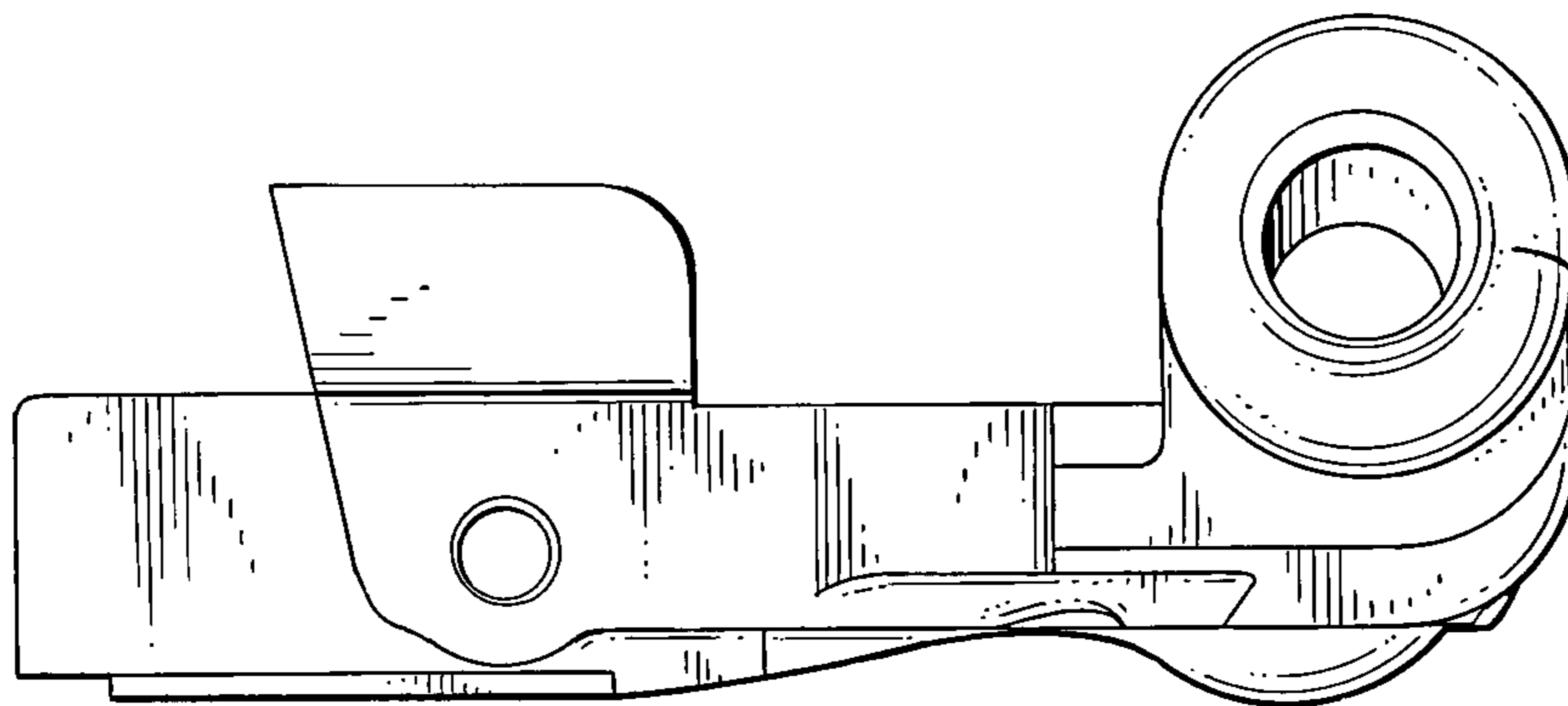


Fig. 6



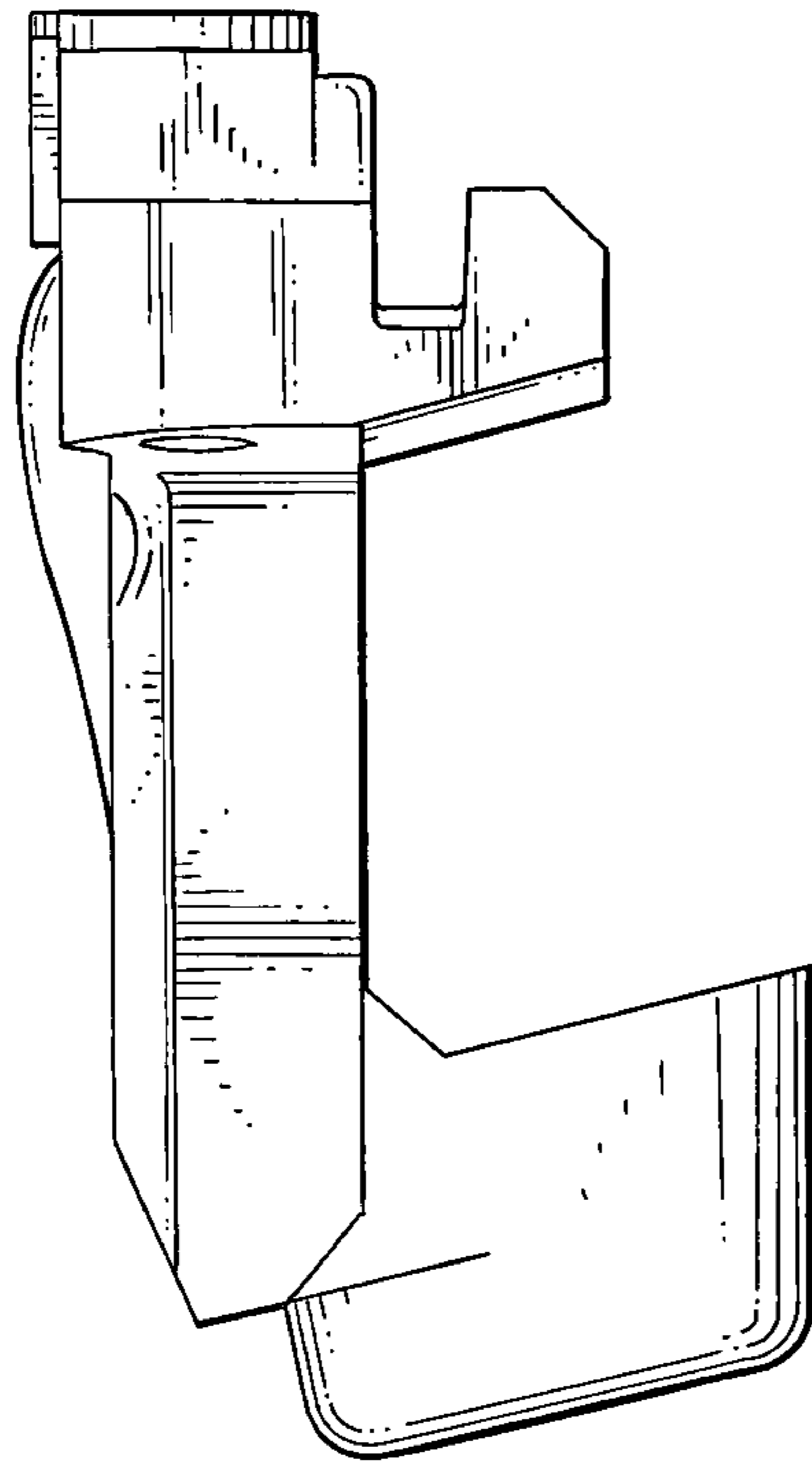


Fig. 7

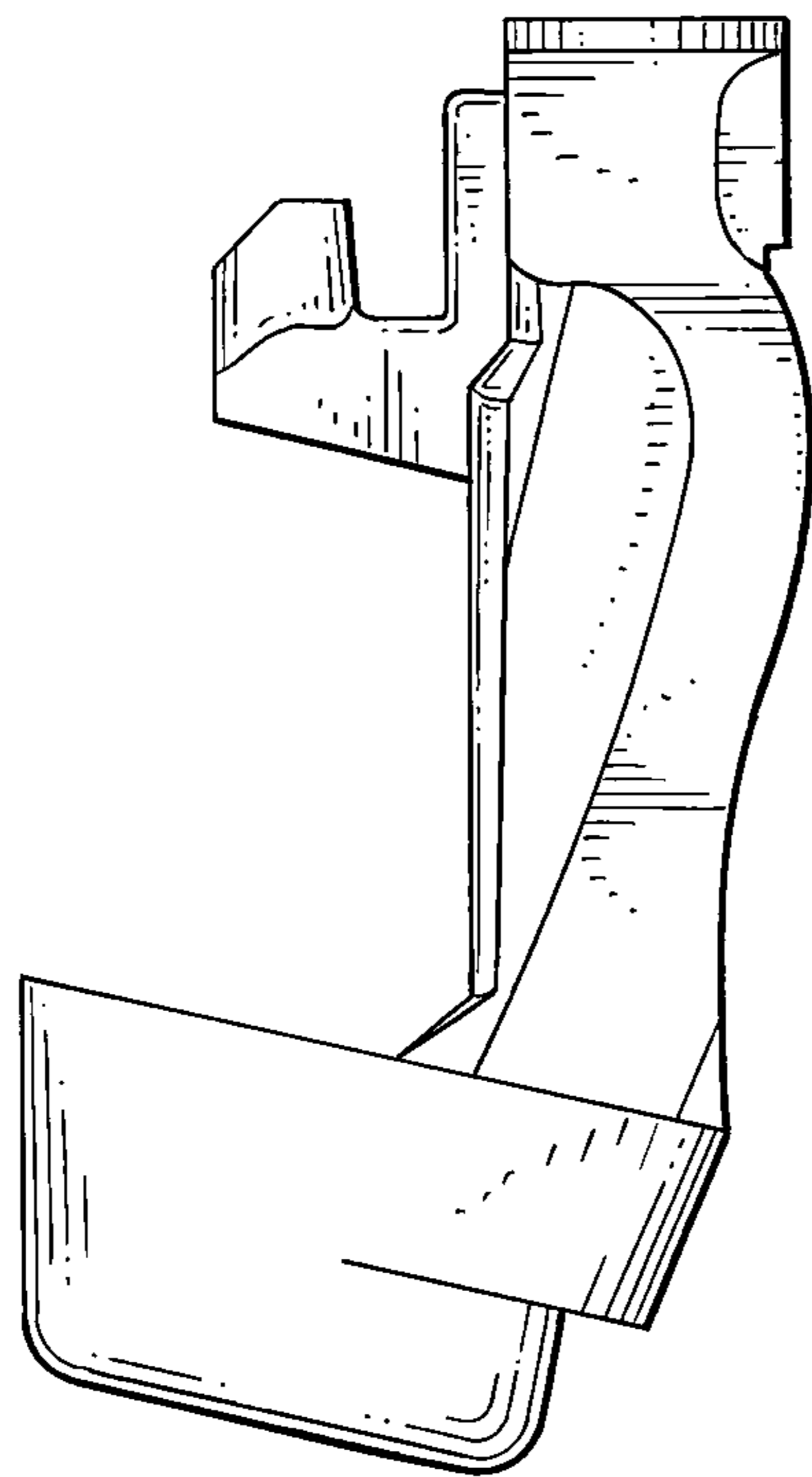


Fig. 8