



US00D728025S

(12) **United States Design Patent**
Candela

(10) **Patent No.:** **US D728,025 S**
(45) **Date of Patent:** **** Apr. 28, 2015**

(54) **MARKER**

(71) Applicant: **F.I.L.A.—Fabbrica Italiana Lapis Ed Affini S.p.A.**, Milan (IT)

(72) Inventor: **Massimo Candela**, Pero (IT)

(73) Assignee: **F.I.L.A.—Fabbrica Italiana Lapis Ed Affini S.p.A.**, Milan (IT)

(**) Term: **14 Years**

(21) Appl. No.: **29/476,524**

(22) Filed: **Dec. 13, 2013**

(30) **Foreign Application Priority Data**

Jun. 21, 2013	(EM)	001375448-0001
Jun. 21, 2013	(EM)	001375448-0002
Jun. 21, 2013	(EM)	001375448-0003
Jun. 21, 2013	(EM)	001375448-0004
Jun. 21, 2013	(EM)	001375448-0005
Jun. 21, 2013	(EM)	001375448-0006

(51) **LOC (10) Cl.** **19-06**

(52) **U.S. Cl.**
USPC **D19/174; D19/927**

(58) **Field of Classification Search**
CPC B43K 7/00; B43K 7/005; B43K 7/12;
B43K 8/00; B43K 8/003; B43K 8/02; B43K
8/022; B43K 8/024
USPC D14/411; D19/115–204, 904, 905, 906,
D19/913, 914, 916, 917, 918, 927; 24/11 F,
24/11 P, 11 R; 401/192, 195, 196
See application file for complete search history.

(56) **References Cited**

U.S. PATENT DOCUMENTS

1,578,565	A *	3/1926	Wahl	401/52
2,452,504	A *	10/1948	Tefft	401/217
2,608,953	A *	9/1952	Kollsman	401/35

2,803,219	A *	8/1957	Stoeberl	401/112
2,871,824	A *	2/1959	Sams	401/217
2,883,969	A *	4/1959	Sams	401/142
2,972,335	A *	2/1961	Grube et al.	401/217
4,798,582	A *	1/1989	Sarath et al.	604/47
4,826,341	A *	5/1989	Kwak	401/280
D303,992	S *	10/1989	Grotsch	D19/53
5,048,989	A *	9/1991	Stageman	401/83
D322,282	S *	12/1991	Mishima	D19/53
5,165,814	A *	11/1992	Buda	401/195
5,577,850	A *	11/1996	Mishima	401/83
D378,762	S *	4/1997	Kikuchi et al.	D19/51
D386,526	S *	11/1997	Ito	D19/53
6,123,476	A *	9/2000	Rosenthal	401/51
7,172,359	B2 *	2/2007	Mock	401/202
D580,976	S *	11/2008	Kida et al.	D19/49
D582,479	S *	12/2008	Cetera	D19/55
D601,192	S *	9/2009	Chen	D19/41
D604,768	S *	11/2009	Andoh et al.	D19/54
D670,699	S *	11/2012	Sato	D14/411
D671,167	S *	11/2012	Nichols et al.	D19/35
8,439,587	B2 *	5/2013	Okabe	401/216
D705,868	S *	5/2014	Harrison	D19/204
D714,386	S *	9/2014	Au	D19/204
2007/0274767	A1 *	11/2007	Greenberg	401/198

* cited by examiner

Primary Examiner — Elizabeth Albert

(74) *Attorney, Agent, or Firm* — Pearne & Gordon LLP

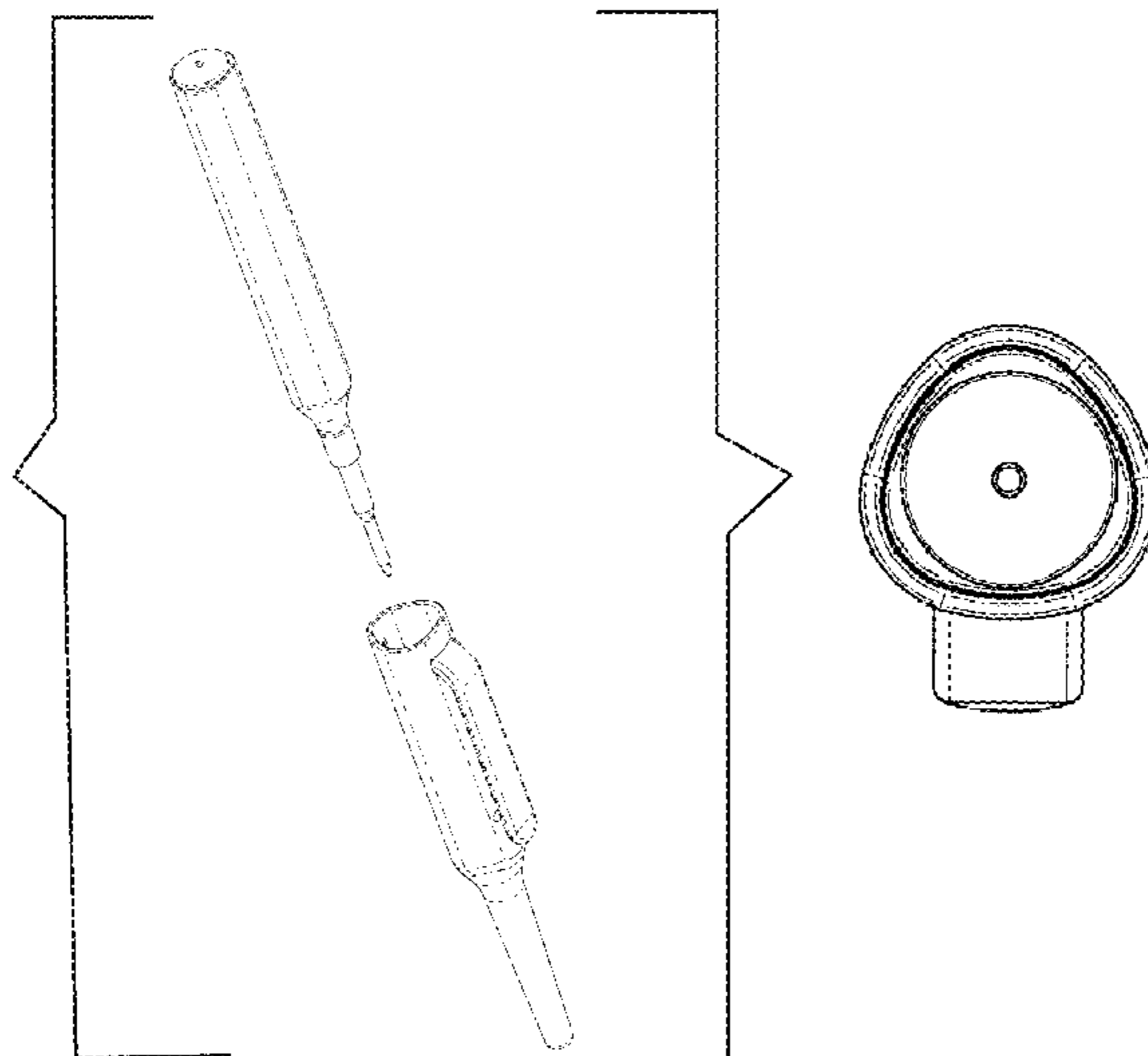
(57) **CLAIM**

The ornamental design for a marker, as shown and described.

DESCRIPTION

FIG. 1 is a perspective view of a marker showing my new design;
FIG. 2 is an exploded view thereof;
FIG. 3 is a front elevational view thereof;
FIG. 4 is a back elevational view thereof;
FIG. 5 is a left side elevational view thereof, the right side elevational view being a mirror image thereof;
FIG. 6 is a top plan view thereof; and,
FIG. 7 is a bottom plan view thereof.

1 Claim, 6 Drawing Sheets



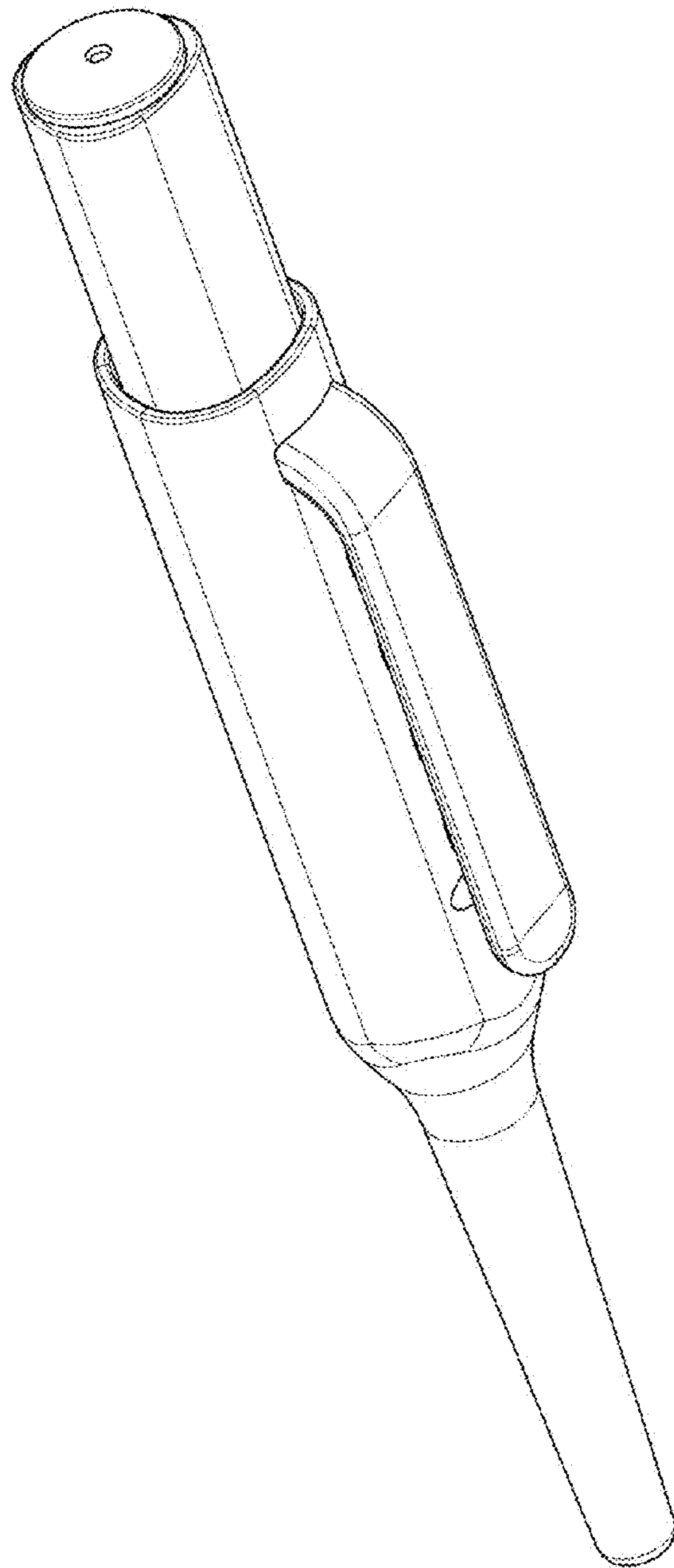


FIG. 1

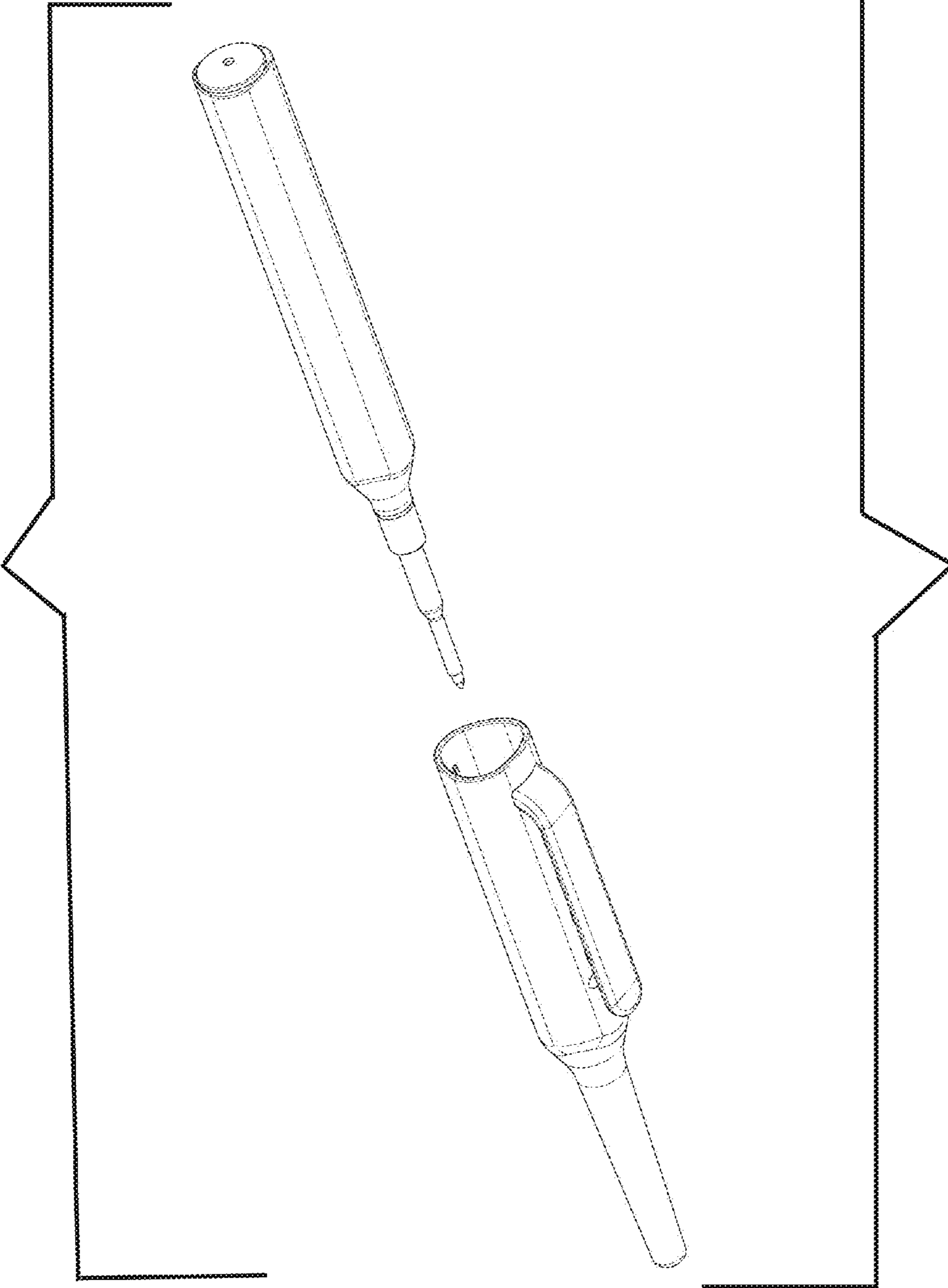


FIG. 2

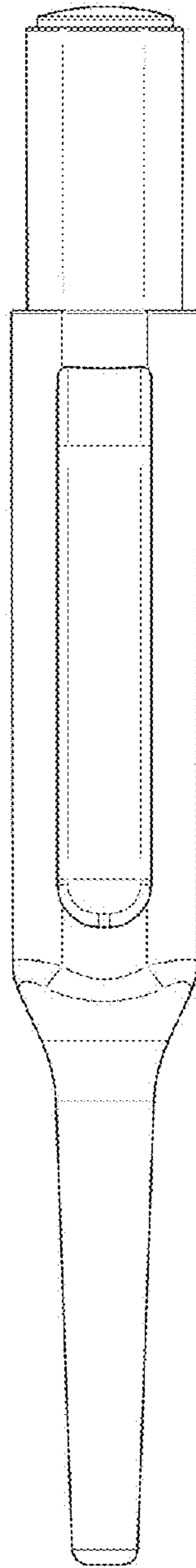


FIG. 3

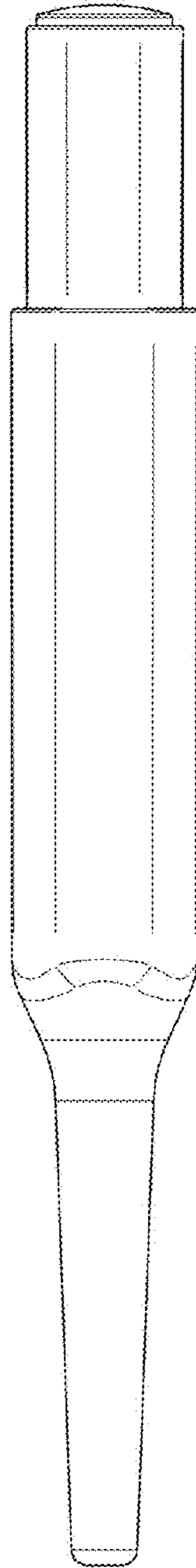


FIG. 4

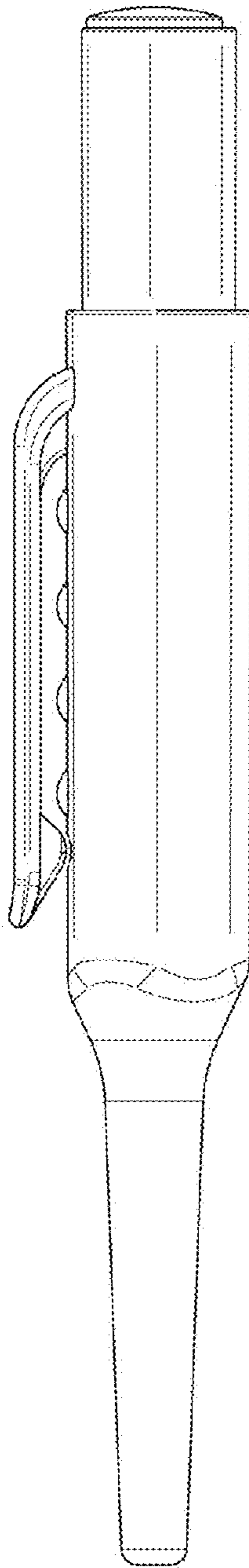


FIG. 5

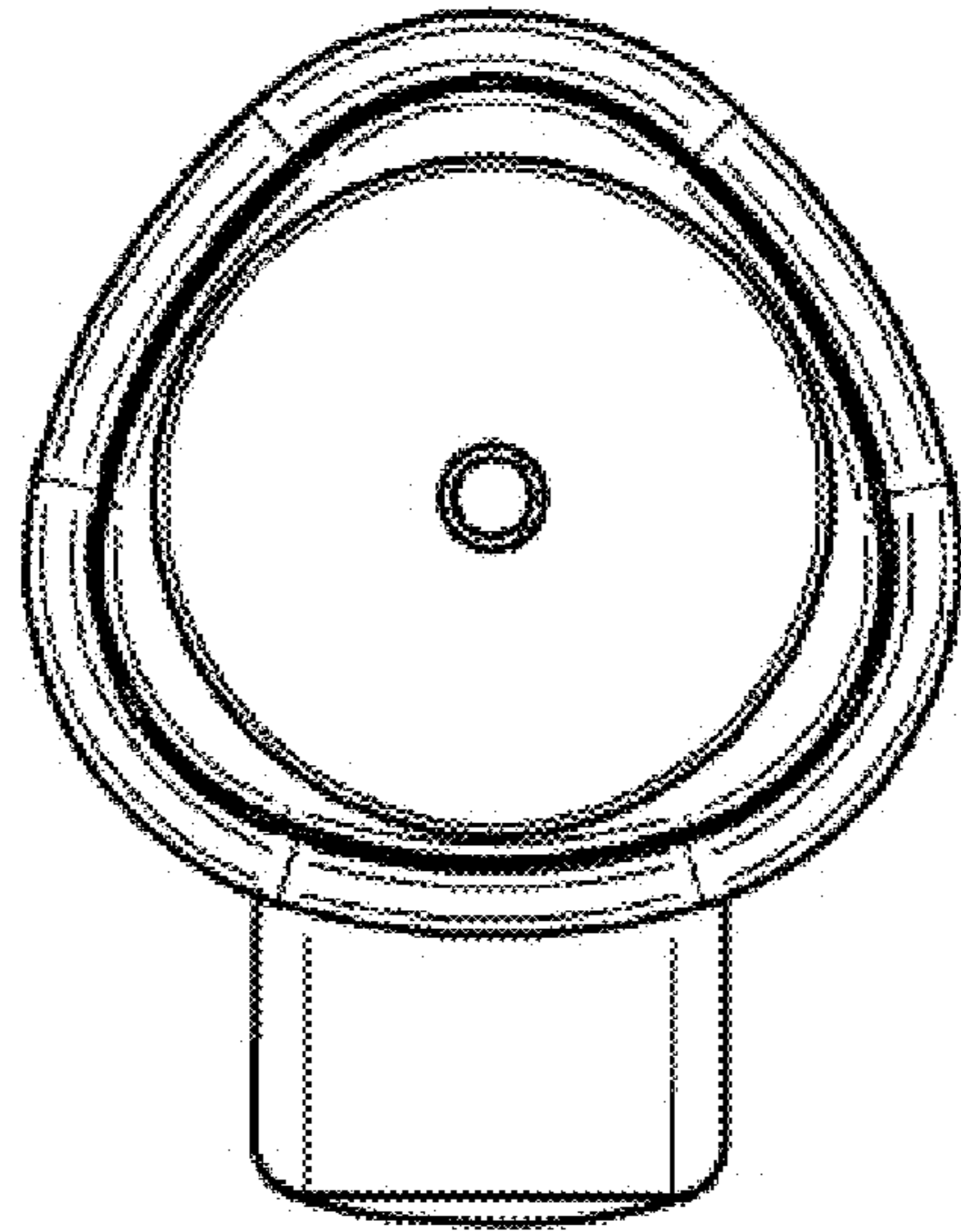


FIG. 6

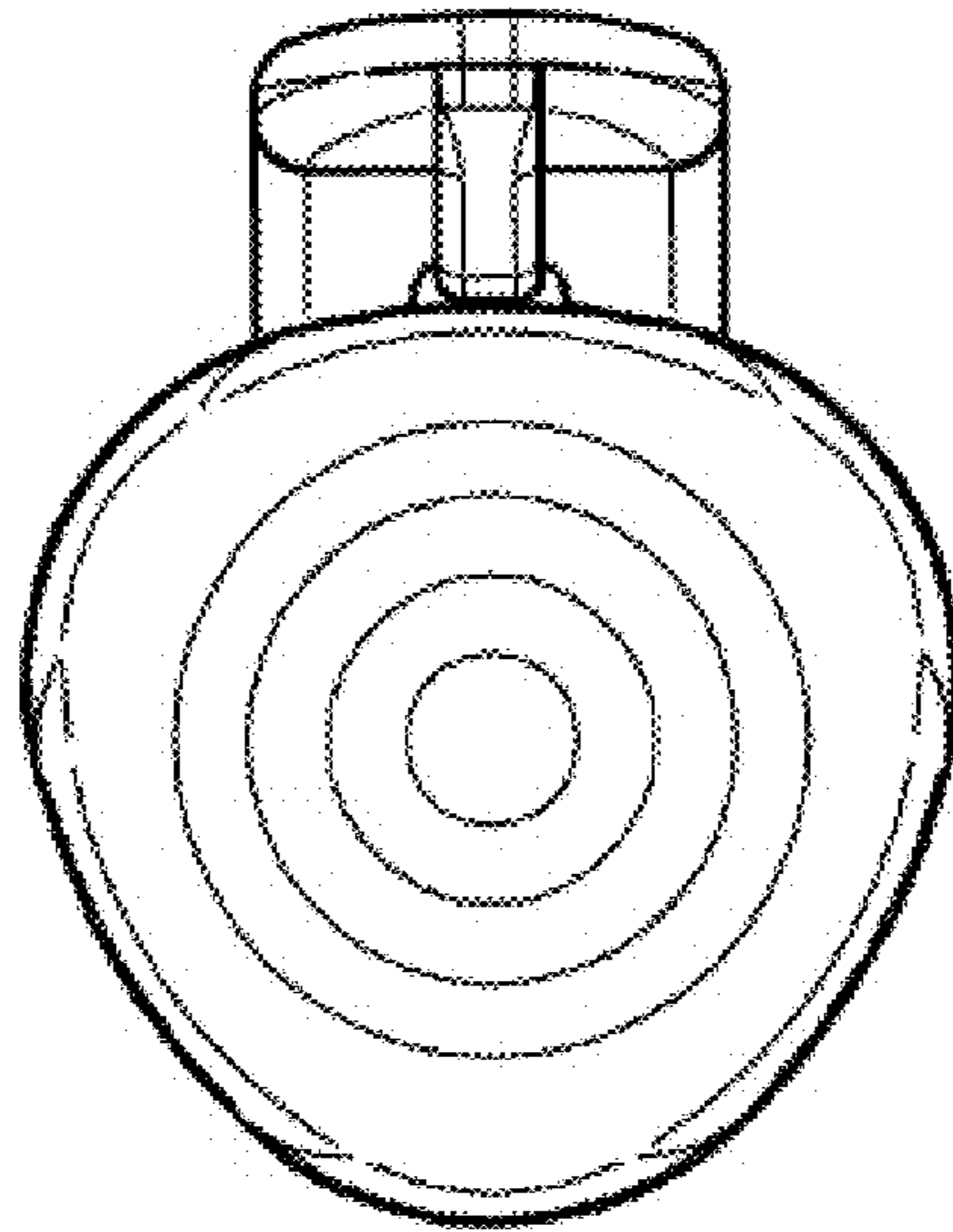


FIG. 7

UNITED STATES PATENT AND TRADEMARK OFFICE
CERTIFICATE OF CORRECTION

PATENT NO. : D728,025 S
APPLICATION NO. : 29/476524
DATED : April 28, 2015
INVENTOR(S) : Massimo Candela

Page 1 of 1

It is certified that error appears in the above-identified patent and that said Letters Patent is hereby corrected as shown below:

Title Page, item (71) Applicant: please delete "Fabrica" and insert therefor --Fabbrica--

Signed and Sealed this
Fifteenth Day of September, 2015



Michelle K. Lee
Director of the United States Patent and Trademark Office