



US00D728024S

(12) **United States Design Patent**
Shimada

(10) **Patent No.:** **US D728,024 S**
(45) **Date of Patent:** **** Apr. 28, 2015**

- (54) **FOUNTAIN PEN**
- (71) Applicant: **Kabushiki Kaisha Pilot Corporation**,
Tokyo (JP)
- (72) Inventor: **Mayo Shimada**, Amagasaki (JP)
- (73) Assignee: **Kabushiki Kaisha Pilot Corporation**,
Tokyo (JP)
- (**) Term: **14 Years**
- (21) Appl. No.: **29/482,928**
- (22) Filed: **Feb. 24, 2014**
- (30) **Foreign Application Priority Data**
Aug. 26, 2013 (JP) 2013-019430
- (51) **LOC (10) Cl.** **19-06**
- (52) **U.S. Cl.**
USPC **D19/163; D19/928**
- (58) **Field of Classification Search**
CPC B43K 5/005; B43K 7/00; B43K 7/01;
B43K 7/10; B43K 8/02; B43K 8/022; B43K
8/024; B43K 8/026; B43K 8/028; B43K 8/03;
B43K 11/00; B43K 11/005; B65D 50/04;
B65D 2101/0038
USPC D14/411; D19/115-204; 401/52,
401/99-109, 192, 195, 196
See application file for complete search history.

- (56) **References Cited**
U.S. PATENT DOCUMENTS
1,490,231 A * 4/1924 Poole 24/11 M
D76,181 S * 8/1928 Deli D19/48
D81,254 S * 5/1930 Parker D19/48
D84,146 S * 5/1931 Kahn D19/44
D92,362 S * 5/1934 Neuhoff D19/49
2,123,427 A * 7/1938 Kingman 401/163
D138,346 S * 7/1944 Kahn D19/48

- 2,358,089 A * 9/1944 Le Gere 135/118
- D183,696 S * 10/1958 Kahn D19/48
- D205,872 S * 9/1966 Parker D19/48
- D223,307 S * 4/1972 Nockolds D19/51
- D249,888 S * 10/1978 Barnes D19/51
- D259,792 S * 7/1981 Itoh et al. D19/51
- D275,577 S * 9/1984 Hechter D19/51
- D280,737 S * 9/1985 Verhaegue D19/48
- D286,790 S * 11/1986 Bove D19/50
- D323,529 S * 1/1992 Rousseau D19/51
- D339,741 S * 9/1993 Lorenz D9/430
- D362,269 S * 9/1995 Hollington D19/51
- D367,673 S * 3/1996 Compte D19/51
- D383,162 S * 9/1997 Worther D19/49
- D391,606 S * 3/1998 Compte D19/51
- D405,826 S * 2/1999 Worther D19/49
- D422,023 S * 3/2000 Tedaldi et al. D19/43
- D458,305 S * 6/2002 Iwase et al. D19/43
- D459,393 S * 6/2002 Verhaeghe D19/43
- D466,932 S * 12/2002 Leo et al. D19/43
- D500,338 S * 12/2004 Kommer D19/43
- D500,791 S * 1/2005 Good D19/43
- D501,510 S * 2/2005 Andrews et al. D19/55
- D523,082 S * 6/2006 Tatic D19/54

(Continued)

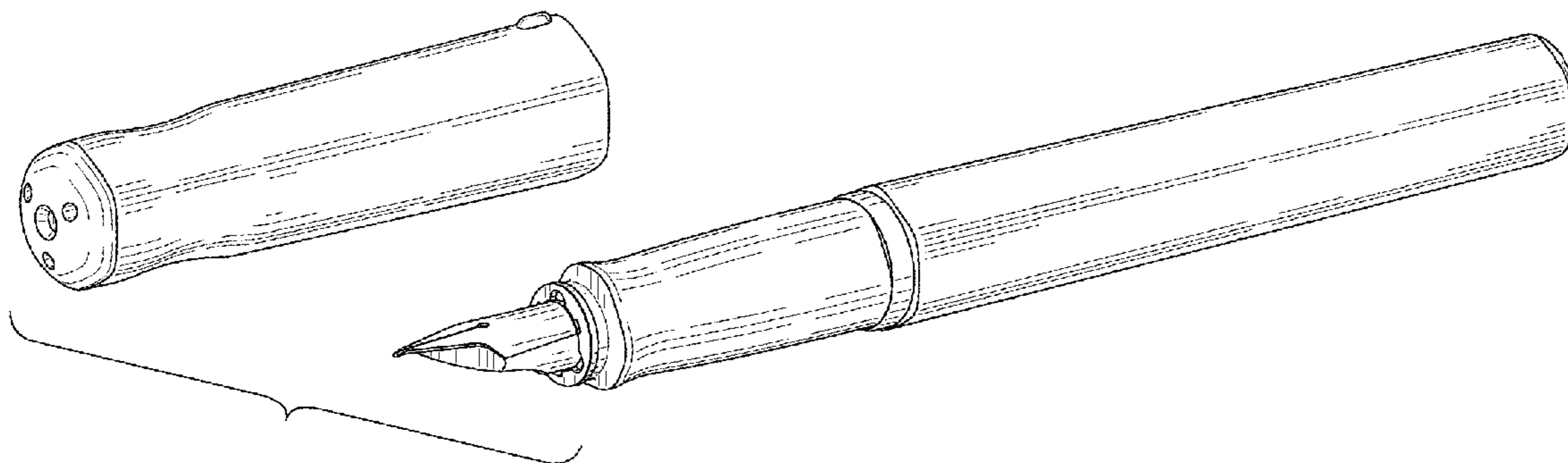
Primary Examiner — Elizabeth Albert
(74) *Attorney, Agent, or Firm* — Sughrue Mion, PLLC

(57) **CLAIM**
The ornamental design for a fountain pen, as shown and described.

DESCRIPTION

FIG. 1 is a perspective view of front, top and left side of a fountain pen showing my new design;
FIG. 2 is a front view thereof;
FIG. 3 is a left side view thereof;
FIG. 4 is a right side view thereof;
FIG. 5 is a top view thereof;
FIG. 6 is a bottom view thereof; and,
FIG. 7 is a front view indicating a state that a cap is detached from a main body.

1 Claim, 4 Drawing Sheets



(56)

References Cited

U.S. PATENT DOCUMENTS

D533,224 S * 12/2006 Dovellos D19/36
D547,375 S * 7/2007 Gerules D19/51
D622,770 S * 8/2010 Shi D19/51
D628,241 S * 11/2010 Stukenkemper D19/48

D645,083 S * 9/2011 Stukenkemper D19/48
D662,986 S * 7/2012 Liu D19/51
D667,883 S * 9/2012 Chen D19/51
D676,957 S * 2/2013 Schneider et al. D24/113
D679,322 S * 4/2013 Martin D19/48
D682,353 S * 5/2013 Kermeal et al. D19/48
D695,829 S * 12/2013 Hern et al. D19/170
* cited by examiner

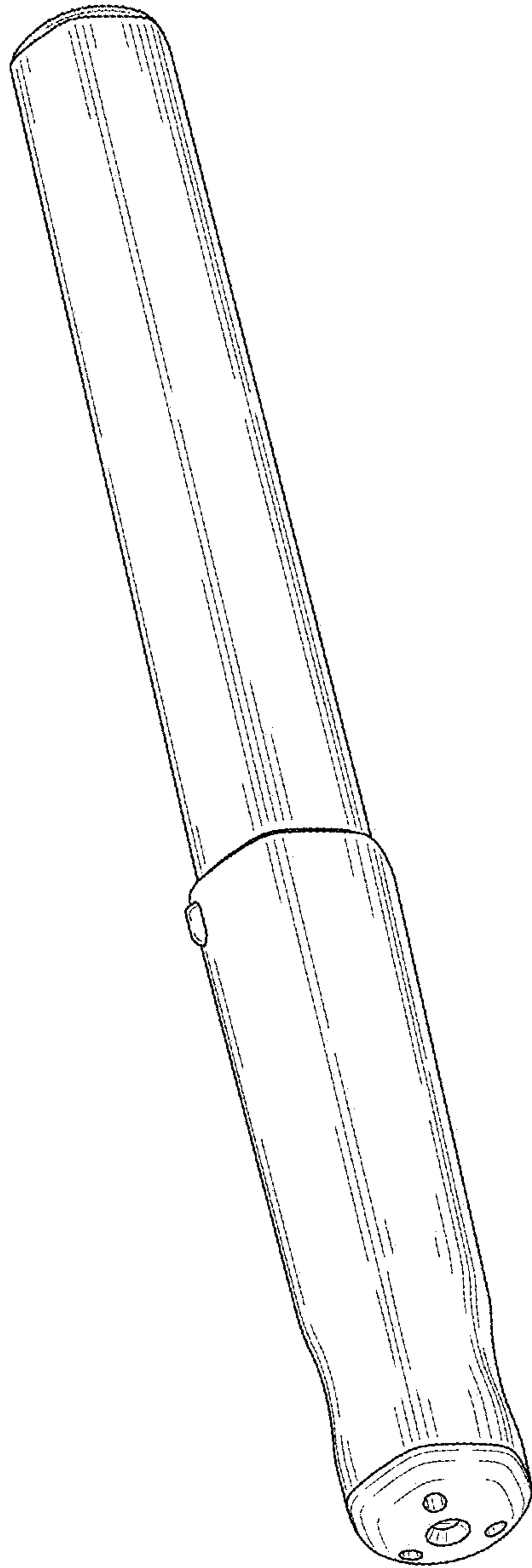


FIG. 1

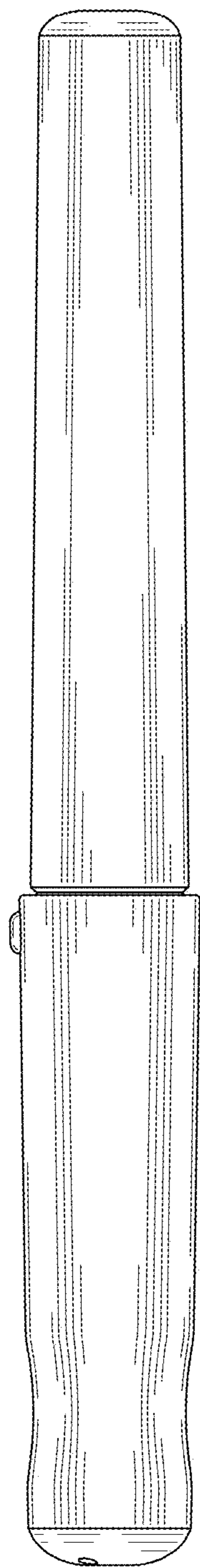


FIG. 2

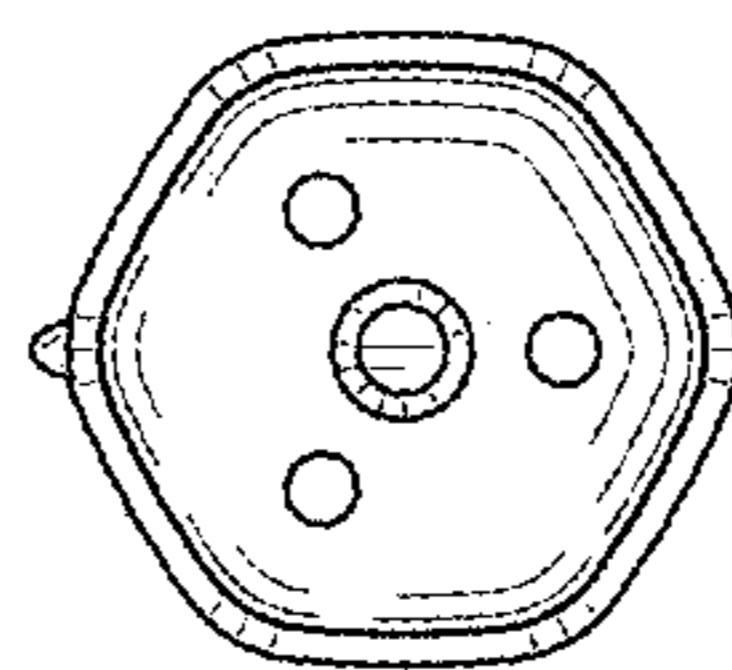


FIG. 3

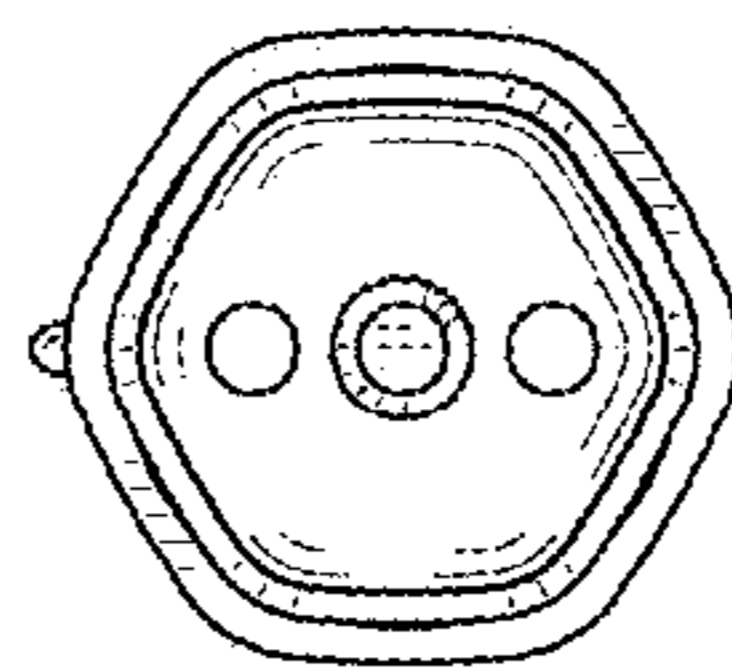


FIG. 4

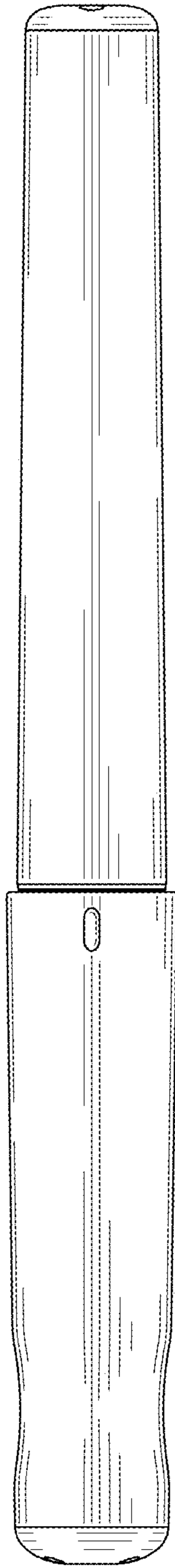


FIG. 5

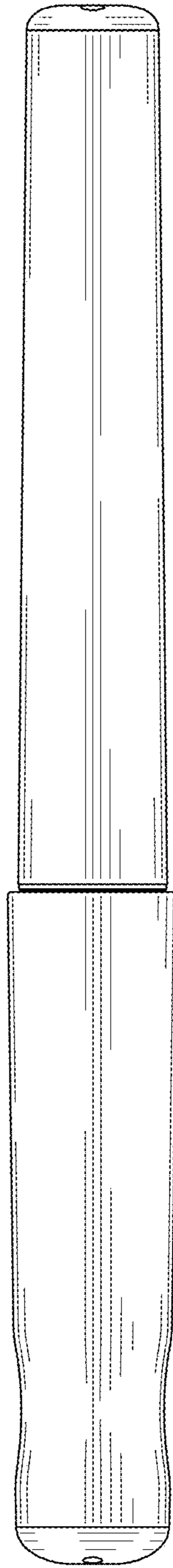


FIG. 6

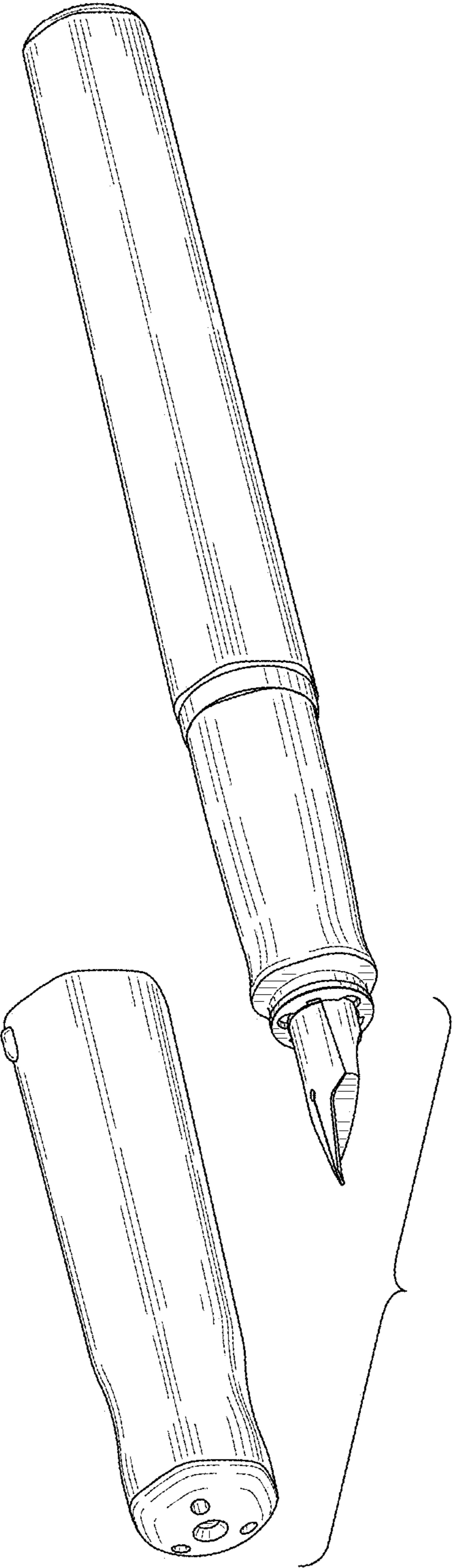


FIG. 7