



US00D728023S

(12) **United States Design Patent**
André

(10) **Patent No.:** **US D728,023 S**

(45) **Date of Patent:** **** Apr. 28, 2015**

(54) **BUILDING BLOCK HIGHLIGHTER**

(71) Applicant: **Intermed Asia Limited**, Hung Hom, Kowloon (HK)

(72) Inventor: **Olivier André**, Pok Fu Lam (HK)

(73) Assignee: **Intermed Asia Limited**, Hung Horn, Kowloon (HK)

(**) Term: **14 Years**

(21) Appl. No.: **29/478,510**

(22) Filed: **Jan. 6, 2014**

(30) **Foreign Application Priority Data**

Jul. 16, 2013 (CN) 2013 3 0332336

(51) **LOC (10) Cl.** **19-06**

(52) **U.S. Cl.**
USPC **D19/136**; D19/901; D19/904

(58) **Field of Classification Search**
USPC D14/411; D19/115-204; 24/11 F, 11 P,
24/11 R; 401/52, 99-109, 192, 195, 196;
D21/484, 486, 491, 499, 500
See application file for complete search history.

(56) **References Cited**

U.S. PATENT DOCUMENTS

3,162,973 A * 12/1964 Christiansen 446/128
D246,927 S * 1/1978 Christiansen D21/486
D252,909 S * 9/1979 Bayly D9/640
D252,979 S * 9/1979 Bayly D9/640

D252,981 S * 9/1979 Fenton D9/640
D257,462 S * 10/1980 Bayly D9/640
4,249,336 A * 2/1981 Moe et al. 446/102
D301,260 S * 5/1989 McLaughlin et al. D21/500
D325,757 S * 4/1992 Pagel D21/500
D355,453 S * 2/1995 Glynn D21/486
D355,681 S * 2/1995 Glynn D21/486
D363,514 S * 10/1995 Frederiksen D21/500
D377,671 S * 1/1997 Gabriel D21/500
D389,408 S * 1/1998 Rask et al. D9/451
D426,588 S * 6/2000 Glickman D21/503
D445,148 S * 7/2001 McIntosh D21/500
7,886,898 B2 * 2/2011 Tsakiris 206/77.1
D668,302 S * 10/2012 Hino D21/501
D714,383 S * 9/2014 Andre D19/136
D714,401 S * 9/2014 Lin D21/499

* cited by examiner

Primary Examiner — Elizabeth Albert

(74) *Attorney, Agent, or Firm* — Merchant & Gould P.C.

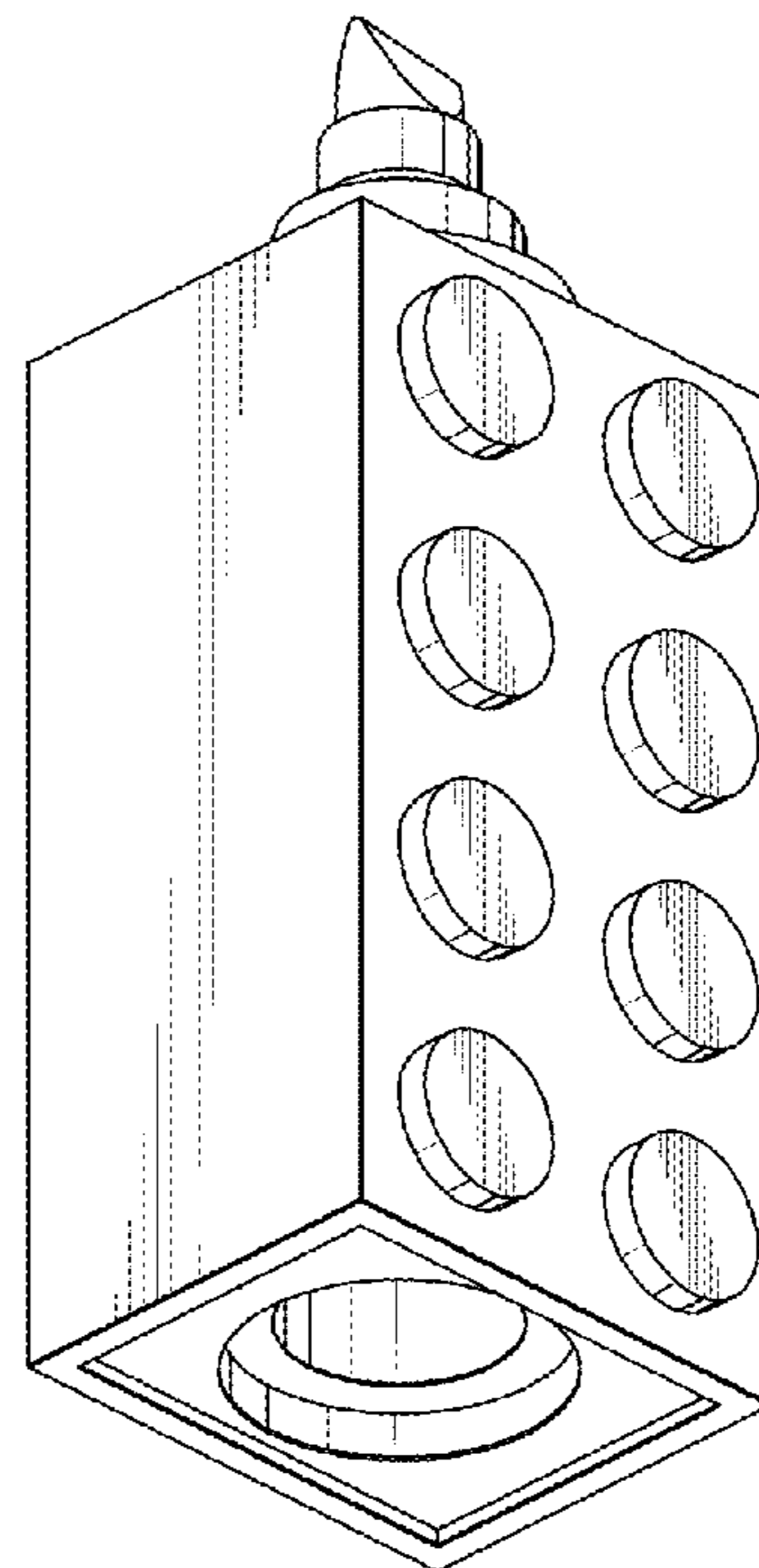
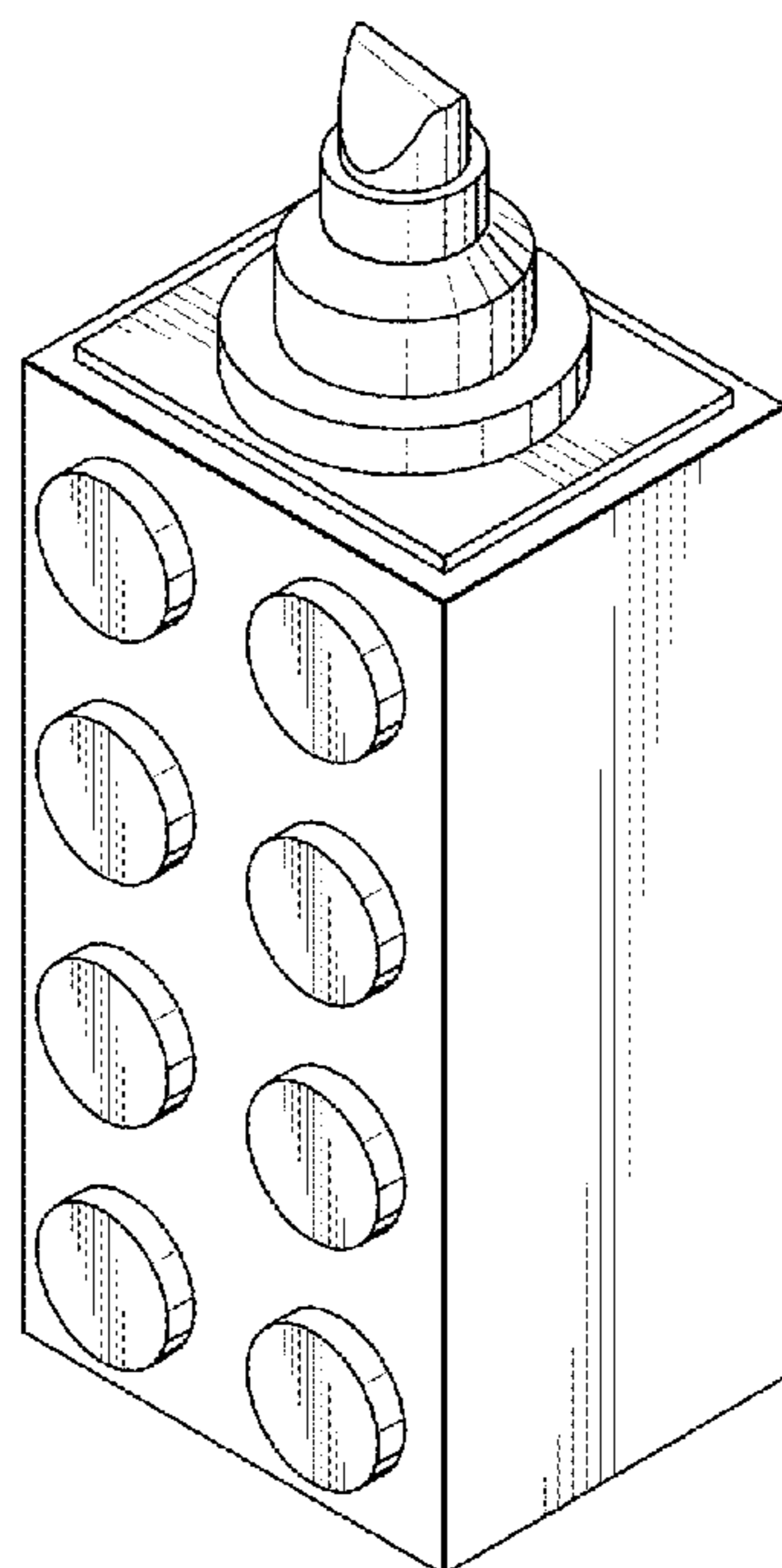
(57) **CLAIM**

The ornamental design for a building block highlighter, as shown and described.

DESCRIPTION

FIG. 1 is a front perspective view of a building block highlighter showing my new design;
FIG. 2 is a bottom rear perspective view thereof;
FIG. 3 is a front view thereof;
FIG. 4 is a rear view thereof;
FIG. 5 is a right side view thereof;
FIG. 6 is a top view thereof; and,
FIG. 7 is a bottom view thereof.

1 Claim, 3 Drawing Sheets



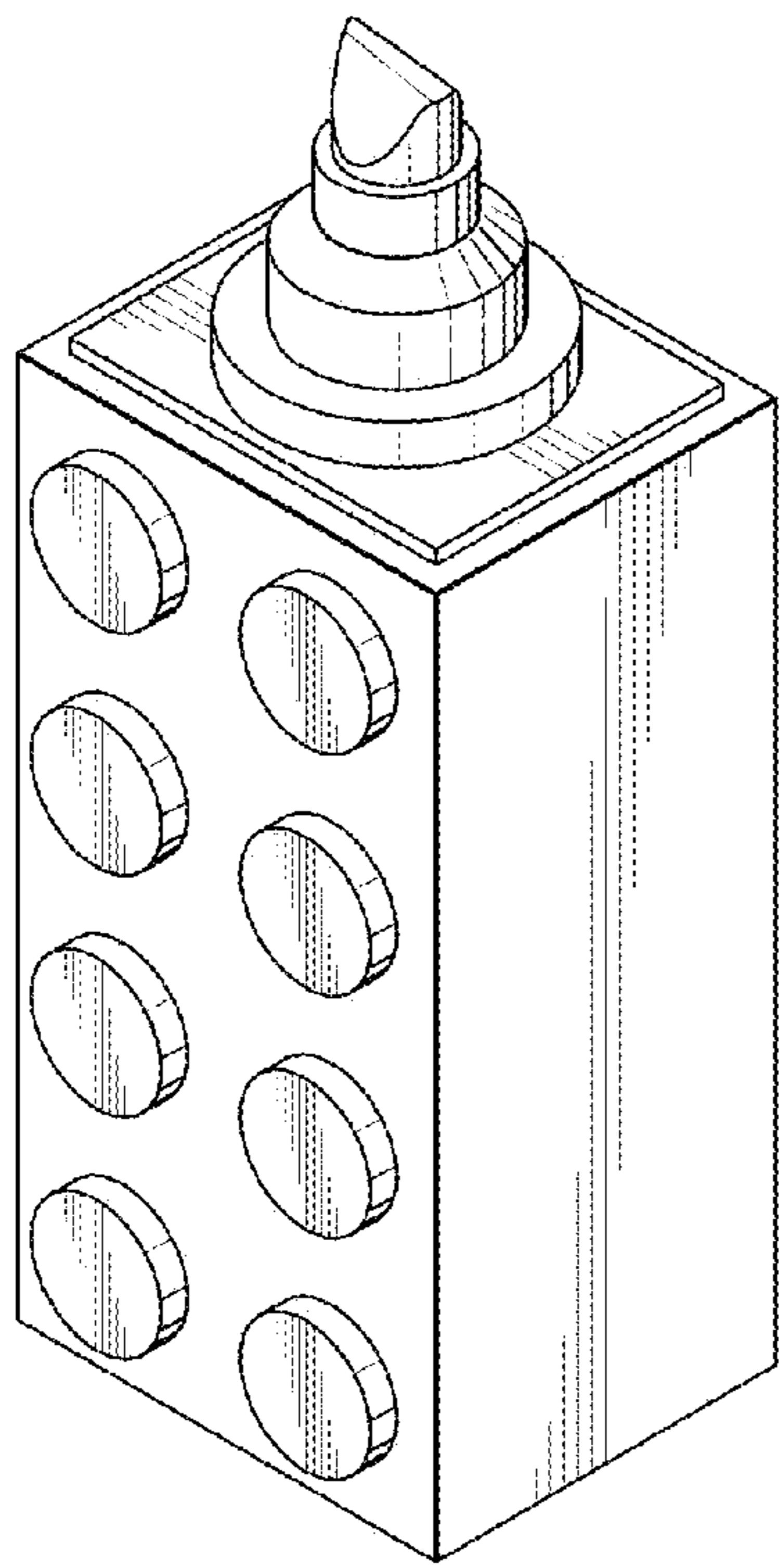


FIG. 1

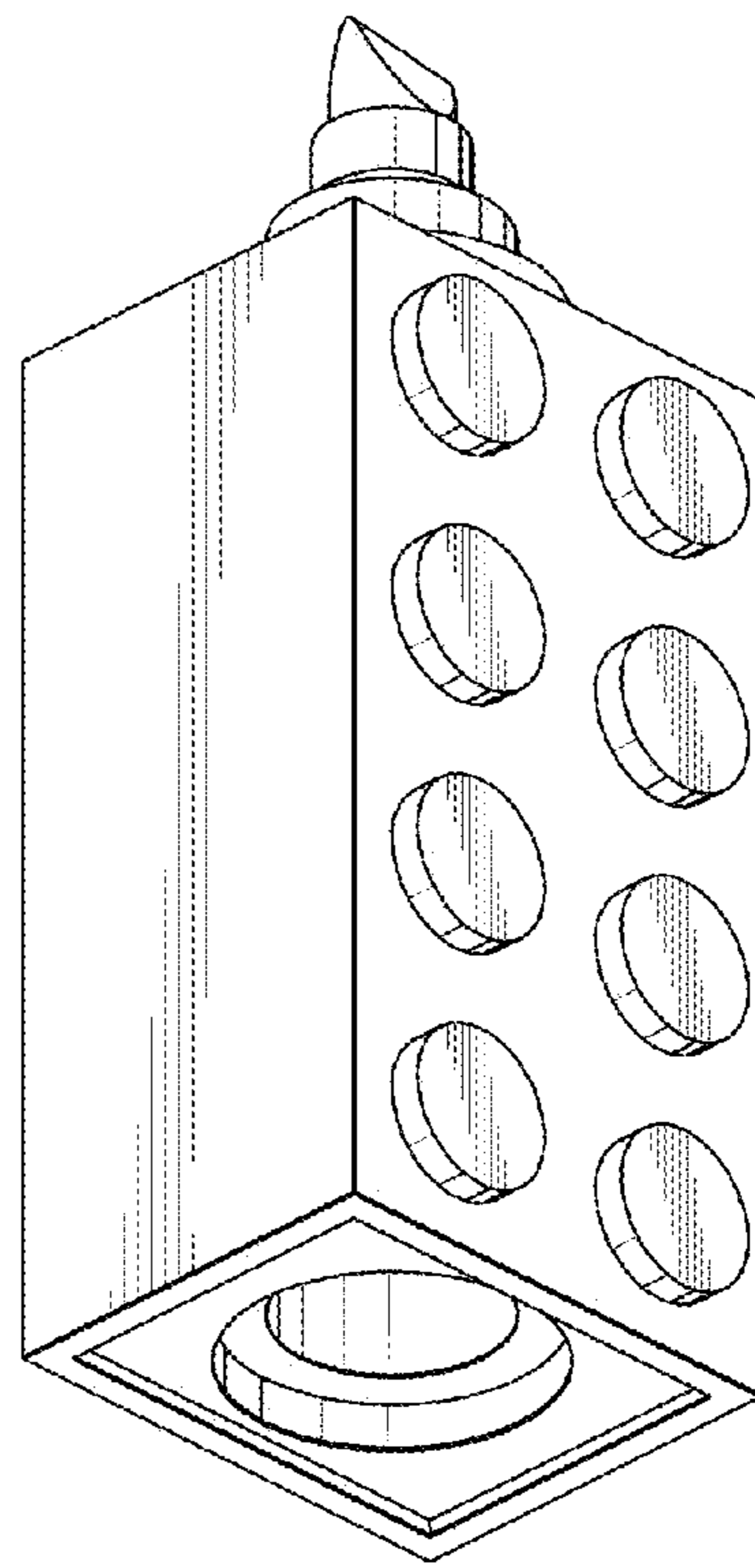


FIG. 2

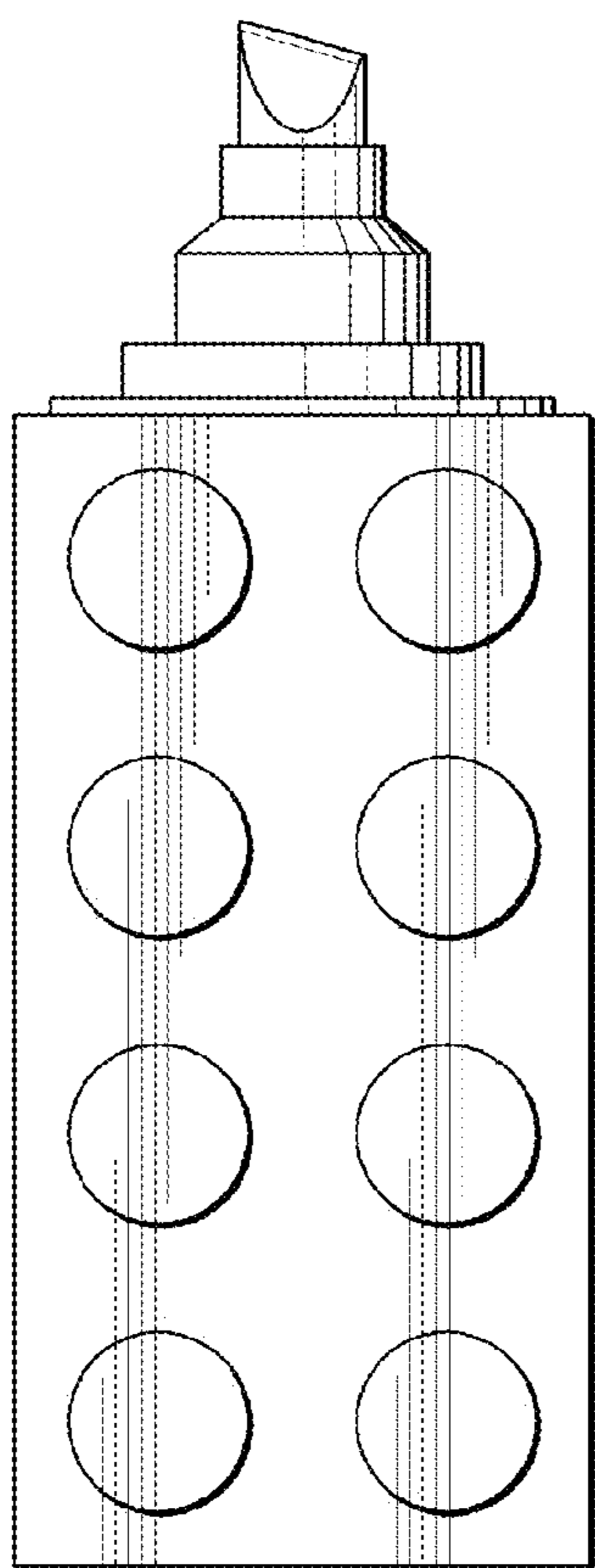


FIG. 3

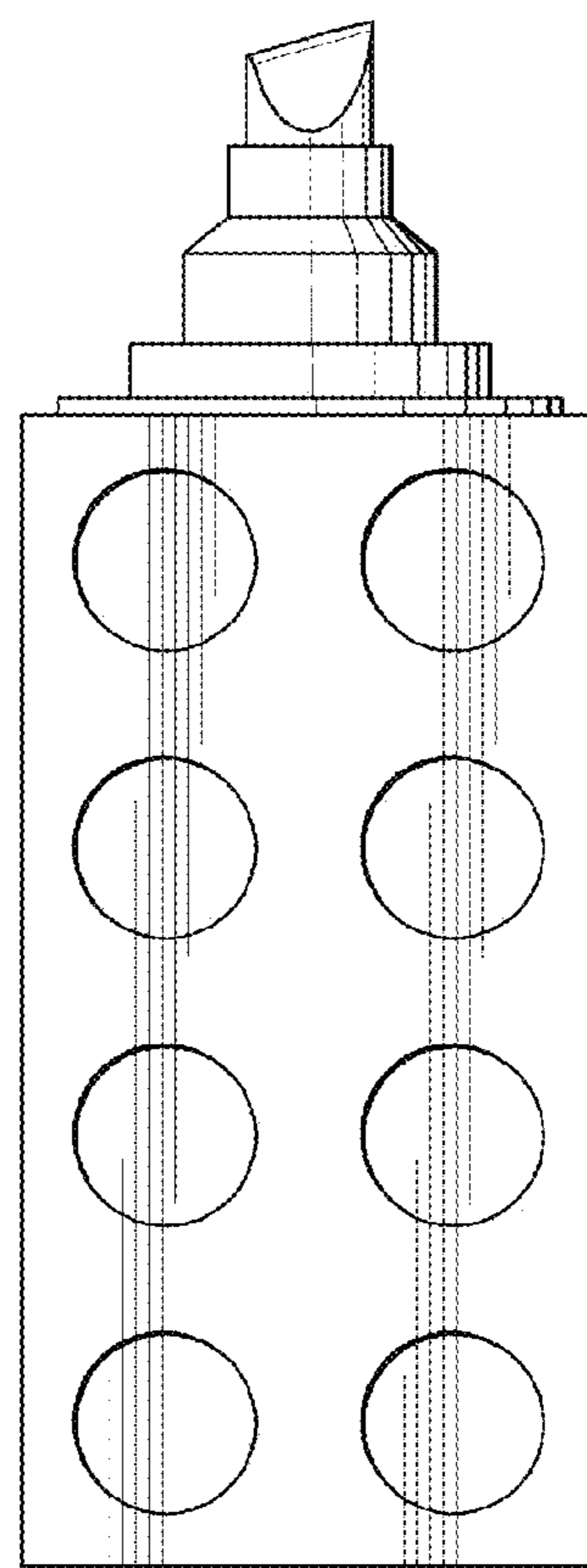


FIG. 4

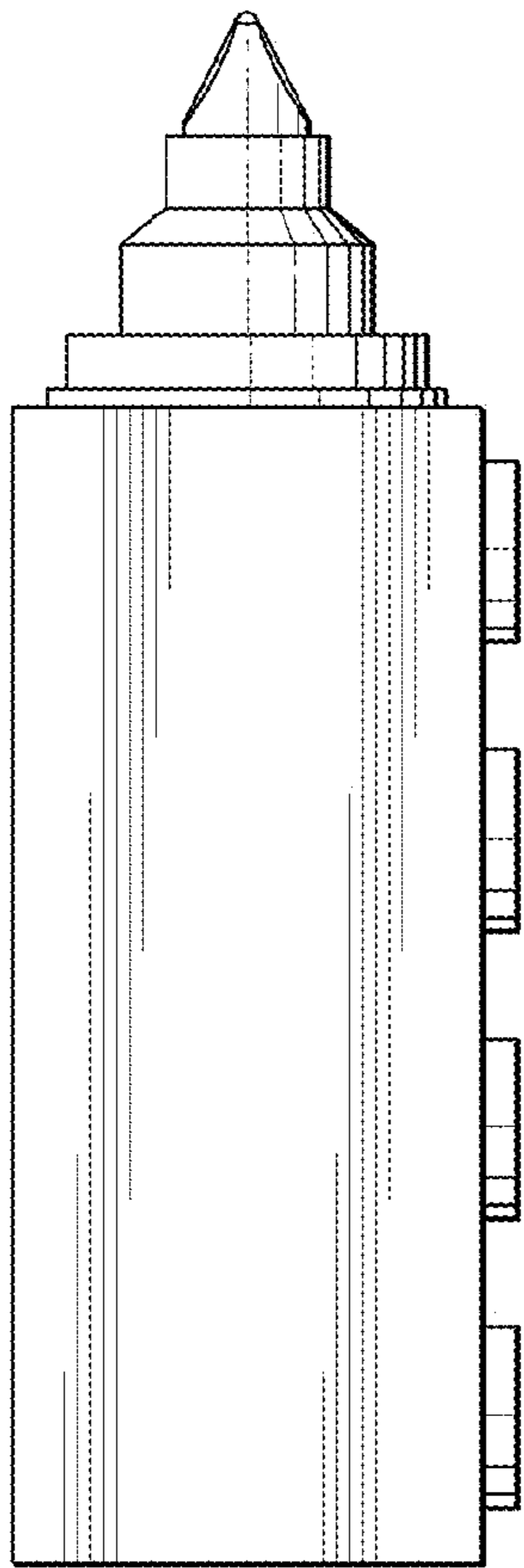


FIG. 5

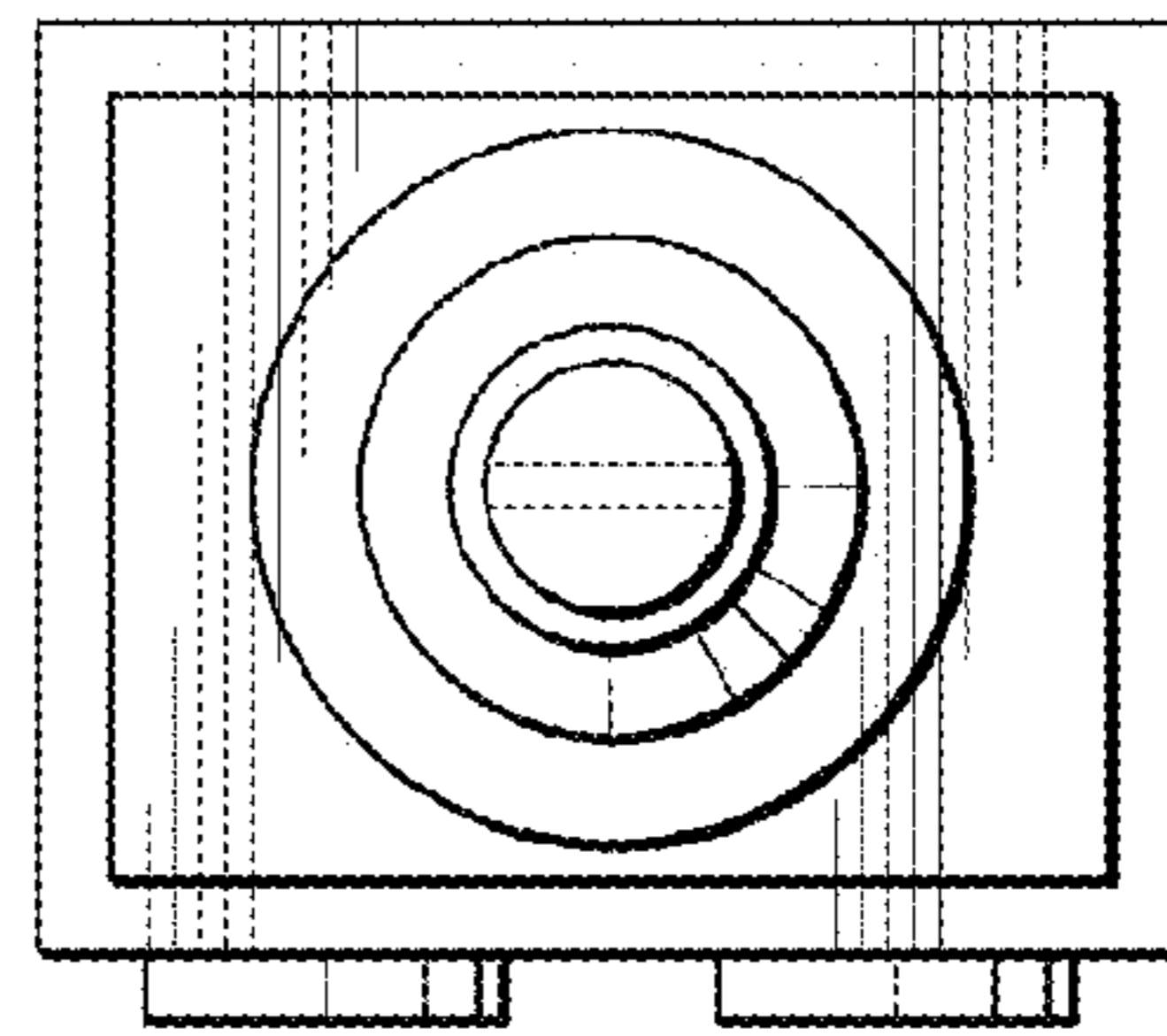


FIG. 6

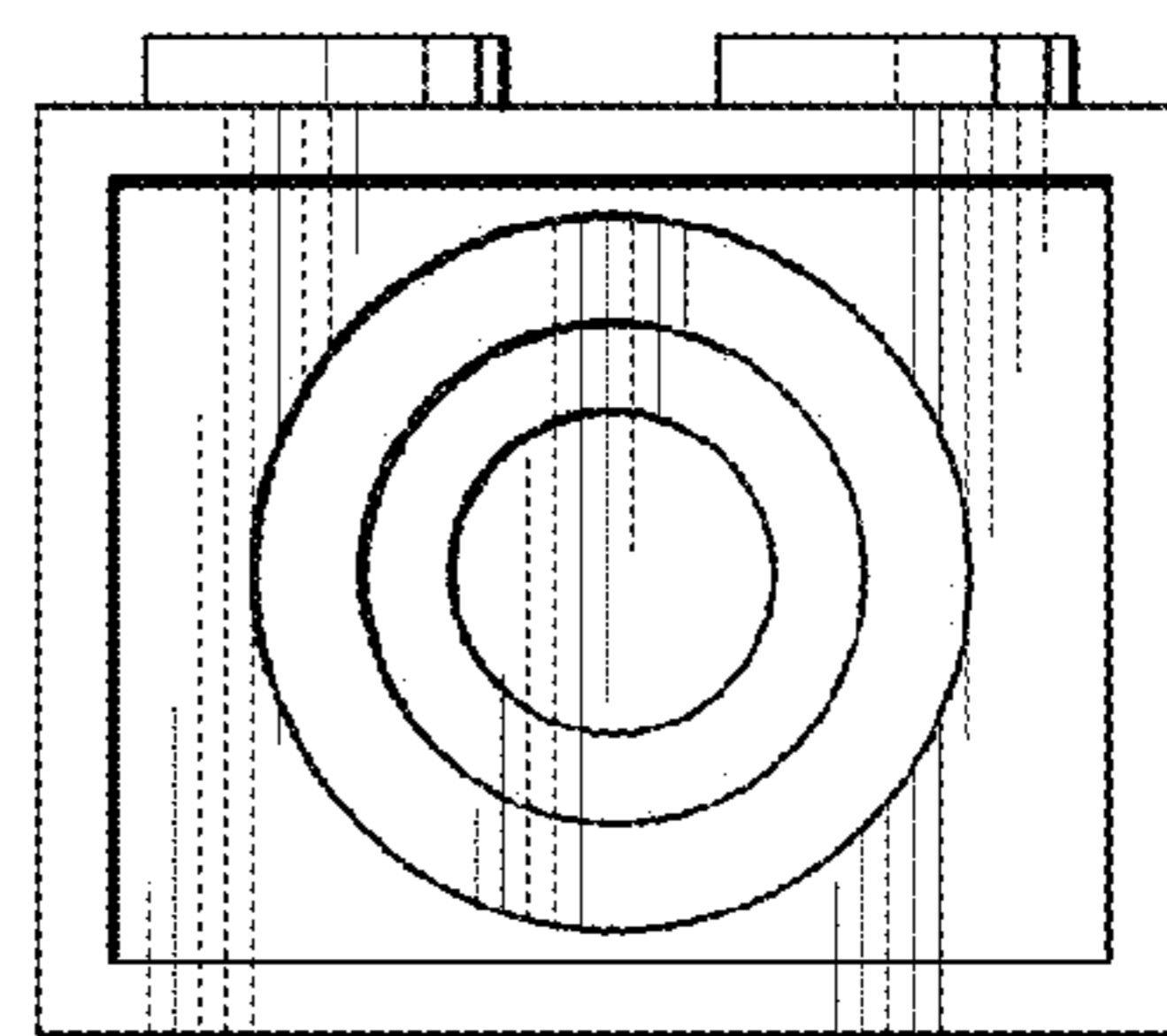


FIG. 7