

US00D728014S

(12) **United States Design Patent**
Lee et al.

(10) **Patent No.:** **US D728,014 S**
(45) **Date of Patent:** **** Apr. 28, 2015**

(54) **CARTRIDGE FOR PRINTER**

(71) Applicant: **Samsung Electronics Co., Ltd.**,
Suwon-si (KR)

(72) Inventors: **Seung-Gweon Lee**, Suwon-si (KR);
Young-Chae Kim, Seoul (KR);
Sang-Hoon Lee, Suwon-si (KR);
Ki-Hyun Yoo, Suwon-si (KR); **Ho-Jin**
Jang, Suwon-si (KR)

(73) Assignee: **Samsung Electronics Co., Ltd.**,
Suwon-si (KR)

(**) Term: **14 Years**

(21) Appl. No.: **29/458,542**

(22) Filed: **Jun. 20, 2013**

(30) **Foreign Application Priority Data**

Dec. 24, 2012 (KR) 30-2012-0061842

(51) **LOC (10) Cl.** **18-02**

(52) **U.S. Cl.**
USPC **D18/56**

(58) **Field of Classification Search**
USPC D18/12, 40, 43, 56; 360/132, 134;
399/260, 262, 111, 116, 119; D14/471;
347/86, 87, 197, 222

See application file for complete search history.

(56) **References Cited**

U.S. PATENT DOCUMENTS

D356,331 S * 3/1995 Ishibashi et al. D18/43
D401,615 S * 11/1998 Goto et al. D18/40

D423,043 S * 4/2000 Ishigami et al. D18/56
D471,583 S * 3/2003 Okabe et al. D18/40
D584,345 S * 1/2009 Choi et al. D18/43
D584,765 S * 1/2009 Park et al. D18/43
D636,433 S * 4/2011 Kim D18/43
D637,226 S * 5/2011 Sakuma et al. D18/43
D642,610 S * 8/2011 Gault et al. D18/56
D645,503 S * 9/2011 Carter et al. D18/56
D652,862 S * 1/2012 Mori et al. D18/43
8,208,831 B2 * 6/2012 Kim 399/111
D694,815 S * 12/2013 Fukamachi et al. D18/43

* cited by examiner

Primary Examiner — Cathy A MacCormac

(74) *Attorney, Agent, or Firm* — NSIP Law

(57) **CLAIM**

The ornamental design for a cartridge for printer, as shown and described.

DESCRIPTION

FIG. 1 is a front perspective view of a cartridge for printer, showing our new design;
FIG. 2 is a front view thereof;
FIG. 3 is a rear view thereof;
FIG. 4 is a left-side view thereof;
FIG. 5 is a right-side view thereof;
FIG. 6 is a top view thereof;
FIG. 7 is a bottom view thereof; and,
FIG. 8 is an exploded front perspective view thereof.
References to “side”, “top”, and “bottom” in the figure descriptions are not meant to require certain in-use orientation; a cartridge for printer according to the claimed design may be used in any orientation. The broken lines in the figures show portions of the cartridge for printer which form no part of the claimed design.

1 Claim, 8 Drawing Sheets

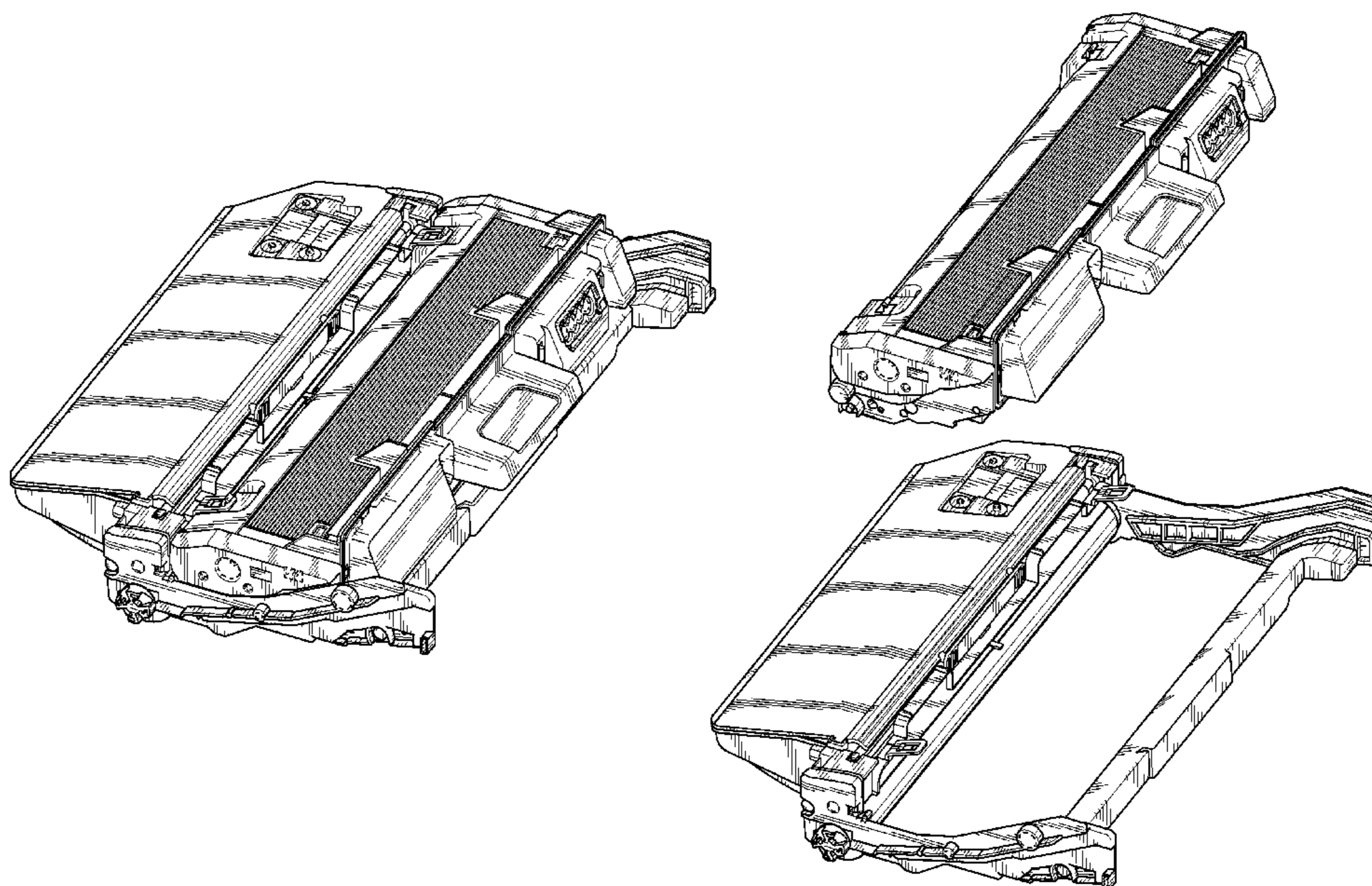


FIG. 1

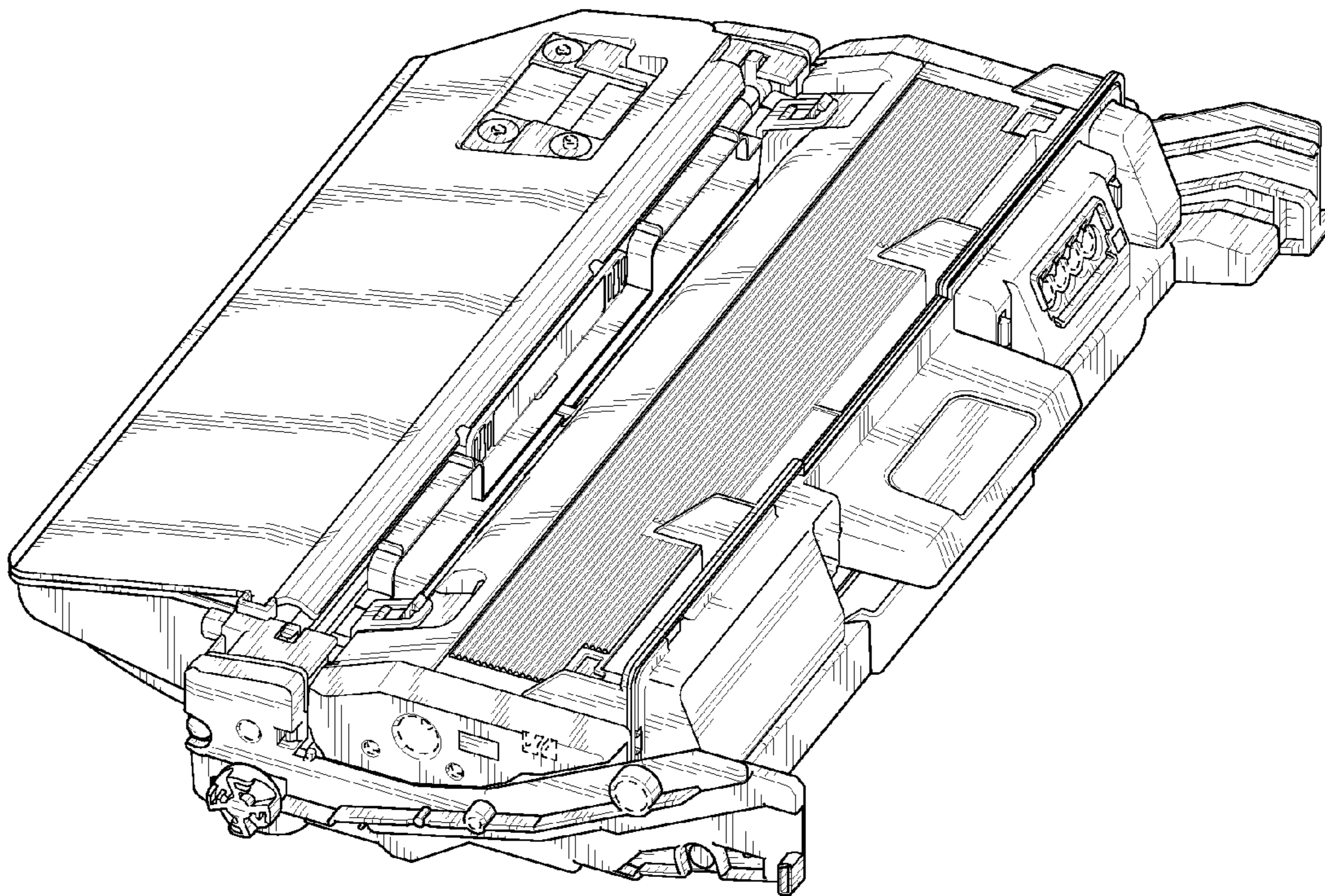


FIG. 2

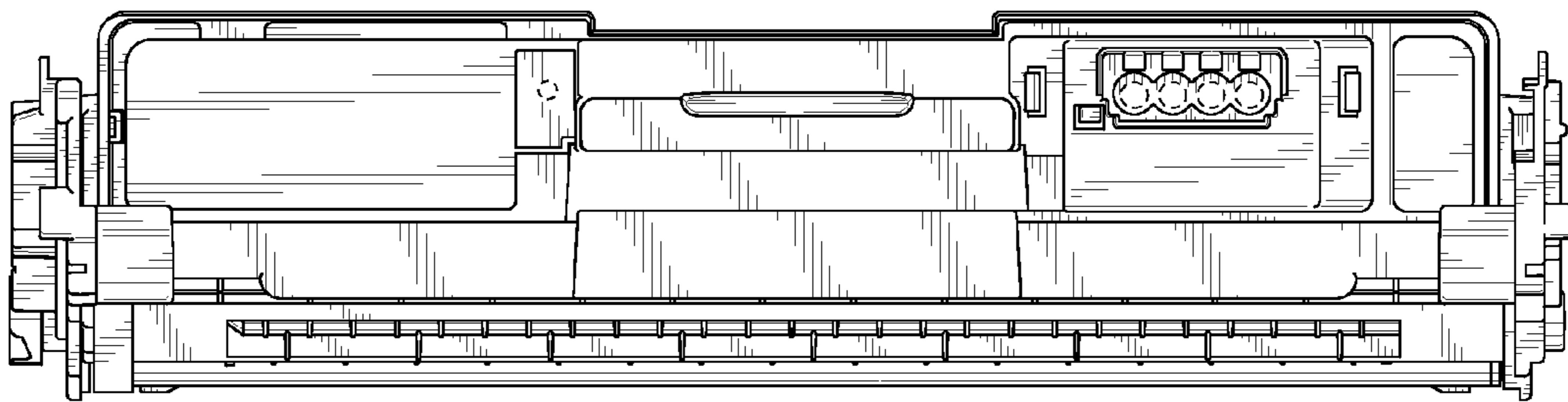


FIG. 3

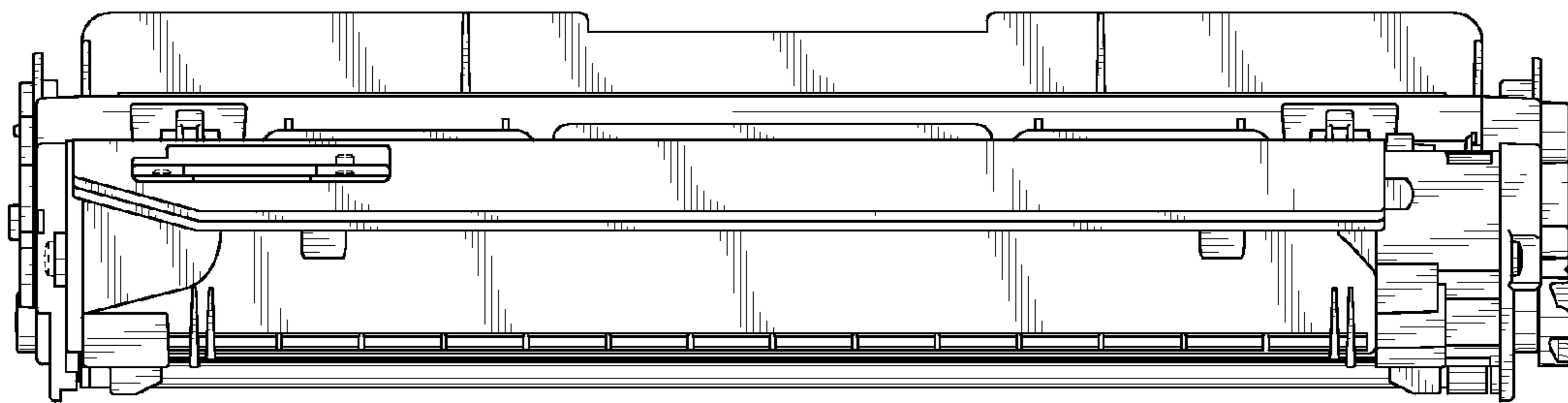


FIG. 4

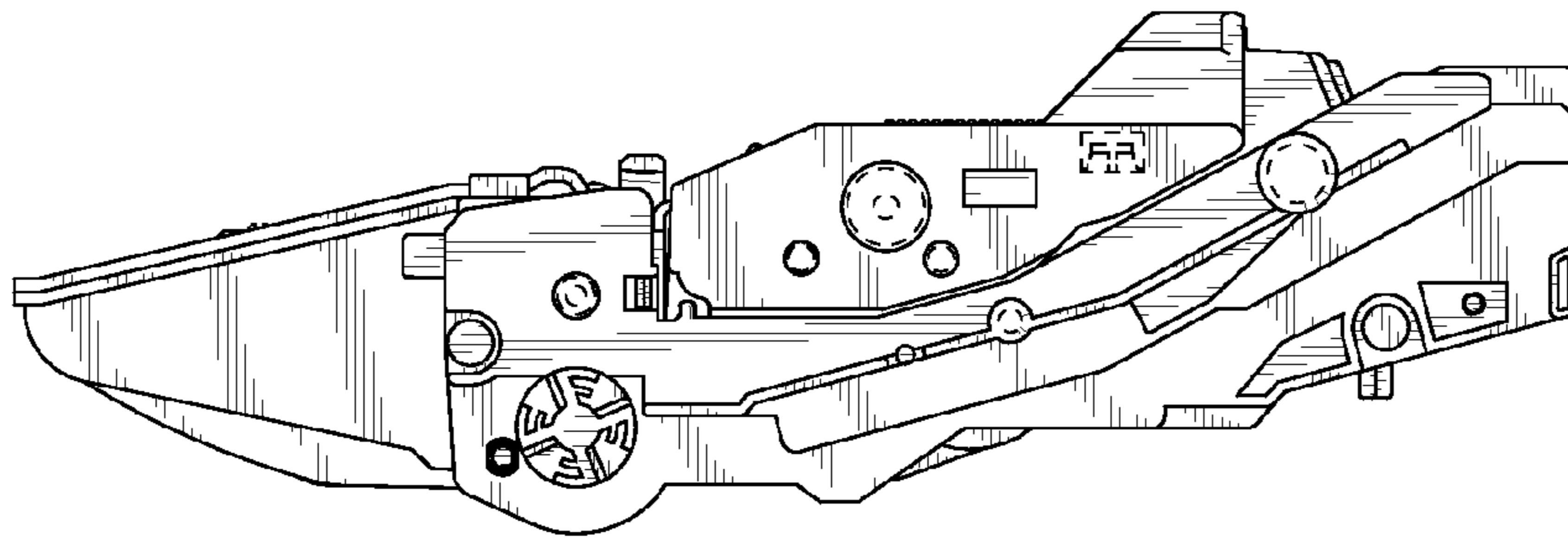


FIG. 5

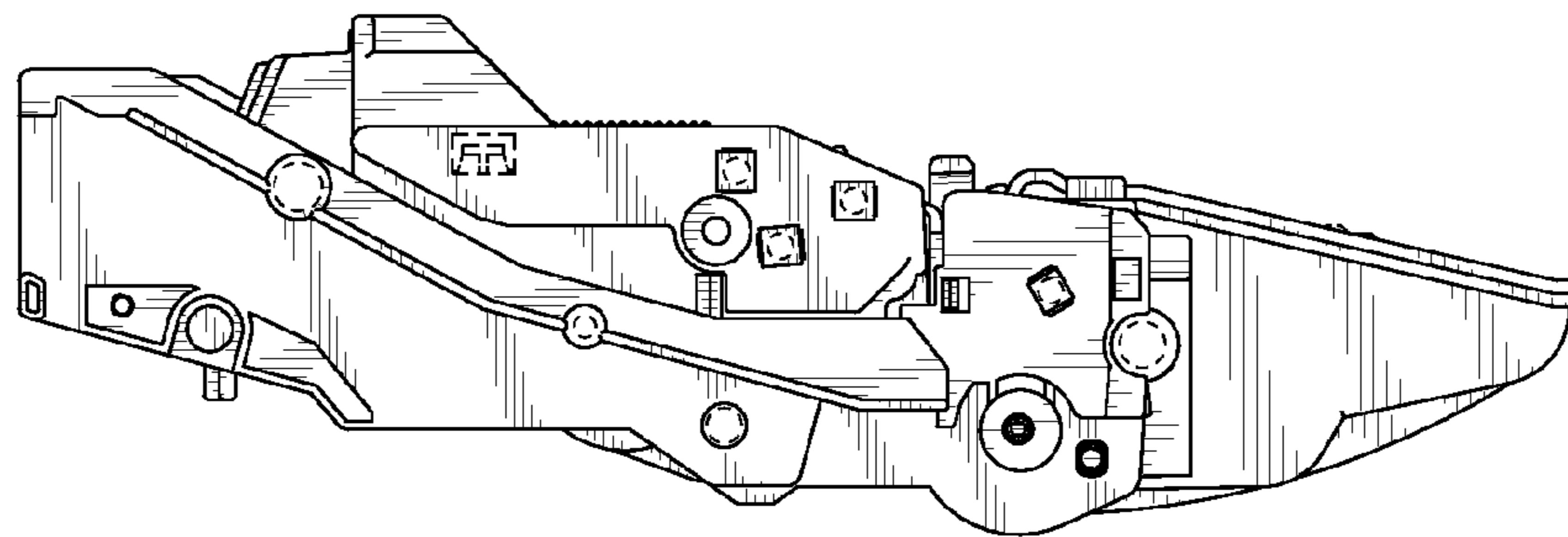


FIG. 6

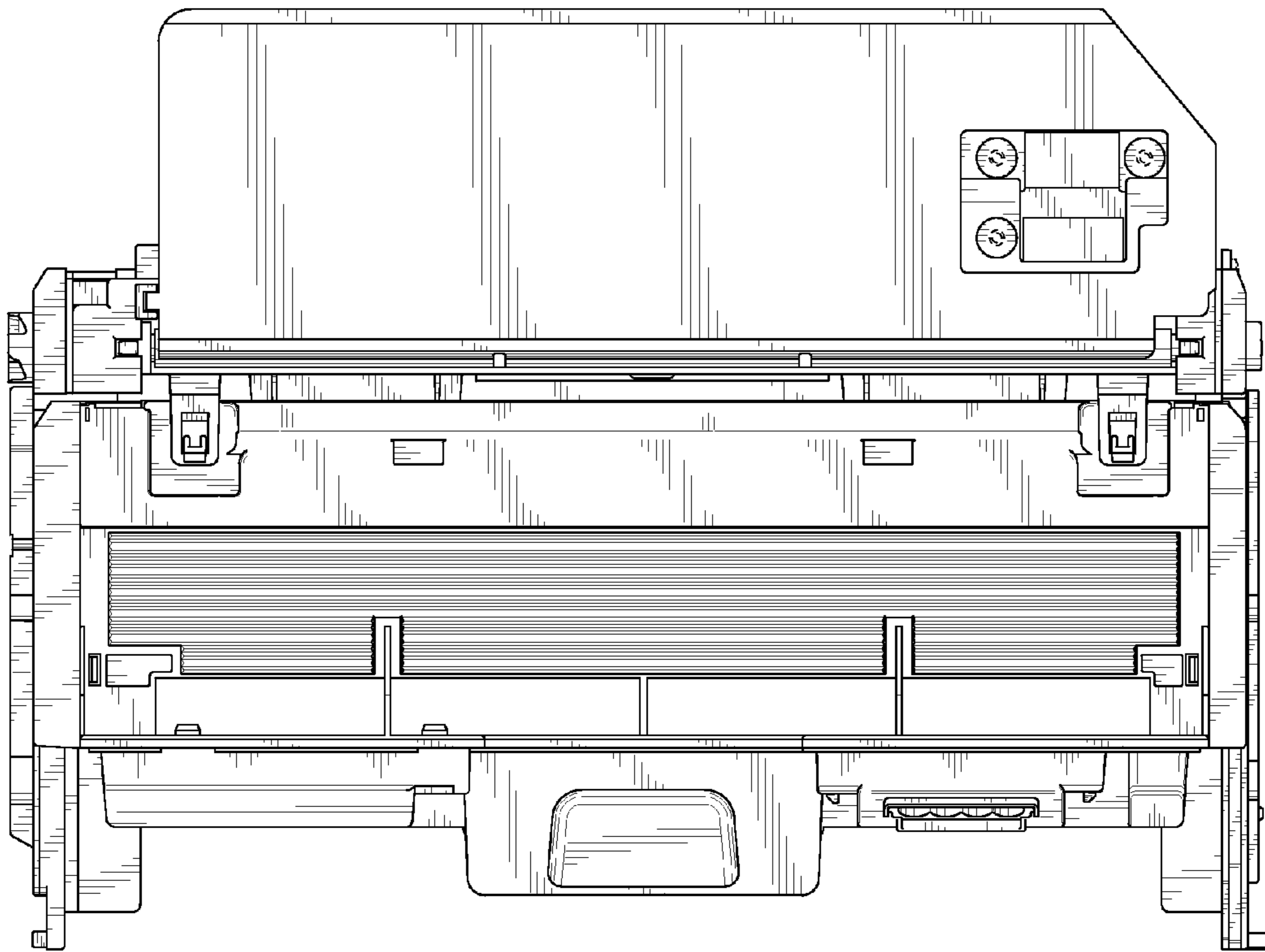


FIG. 7

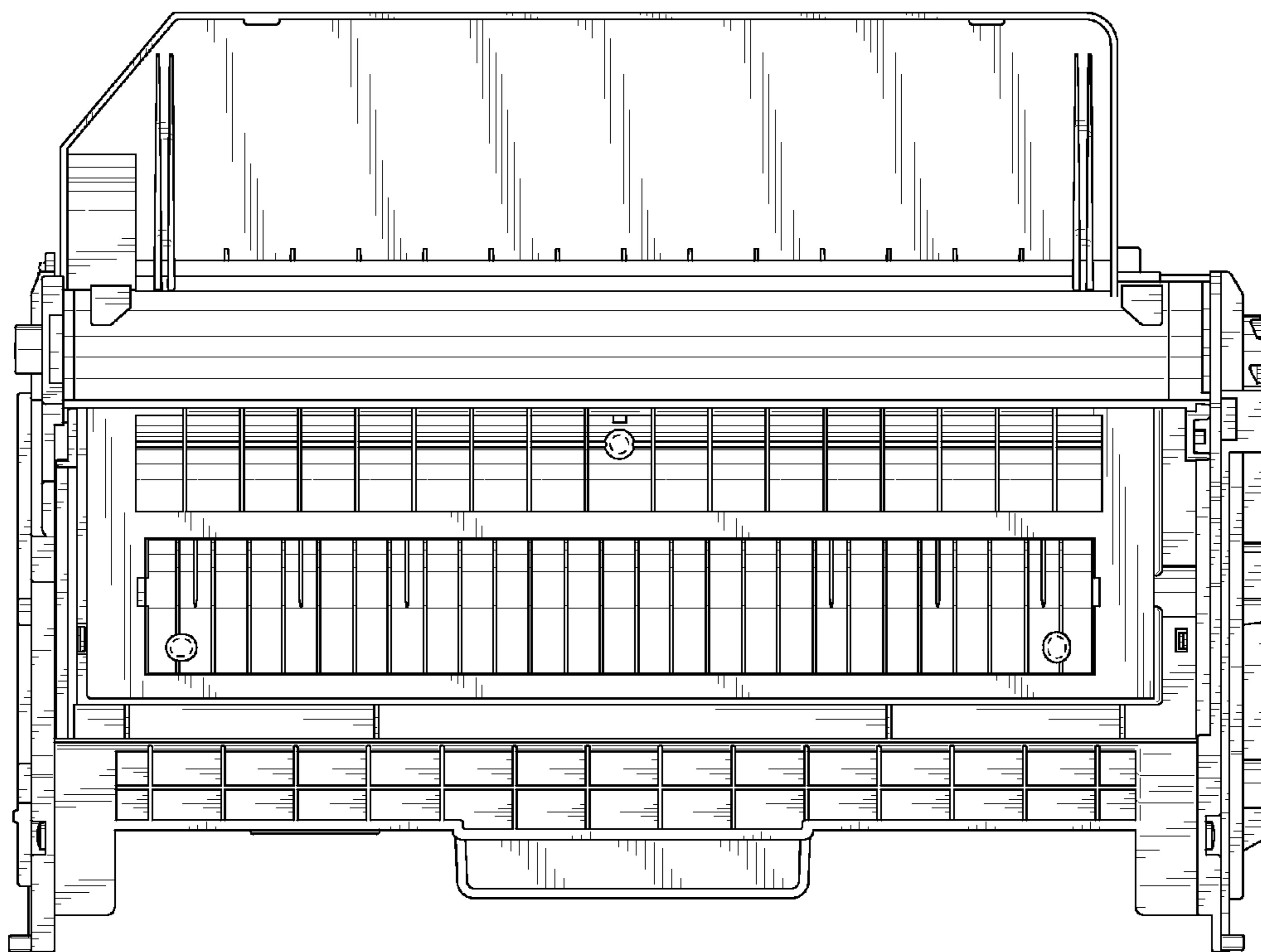


FIG. 8

