



US00D728001S

(12) **United States Design Patent**
Zhan

(10) **Patent No.:** **US D728,001 S**
(45) **Date of Patent:** **** Apr. 28, 2015**

- (54) **CAMERA SHOULDER SUPPORT**
- (71) Applicant: **Fuzhou F&V Photographic Equipment Co., Ltd., Fuzhou (CN)**
- (72) Inventor: **Xiao Ming Zhan, Fuzhou (CN)**
- (73) Assignee: **Fuzhou F&V Photographic Equipment Co., Ltd., Fuzhou, Fujian (CN)**
- (**) Term: **14 Years**
- (21) Appl. No.: **29/460,298**
- (22) Filed: **Jul. 9, 2013**
- (51) **LOC (10) Cl.** **16-05**
- (52) **U.S. Cl.**
USPC **D16/243**
- (58) **Field of Classification Search**
CPC G03B 17/14; G03B 17/26; G03B 17/30;
G03B 17/56; G03B 17/561-17/568; G03B
21/54; F16M 11/14; F16M 11/26; F16M
13/04; H04N 5/2254
USPC D16/205, 208, 211, 214, 218-220, 235,
D16/237-250, 302, 303; D8/354, 363,
D8/394-396; D14/217, 251, 253, 447, 452
See application file for complete search history.

(56) **References Cited**

U.S. PATENT DOCUMENTS

- 6,056,449 A * 5/2000 Hart 396/421
- D570,396 S * 6/2008 Foddis D16/242

- D609,734 S * 2/2010 Foddis D16/242
- D714,377 S * 9/2014 Yamauchi et al. D16/243
- 2010/0254696 A1 * 10/2010 McKay 396/420
- 2010/0266270 A1 * 10/2010 Pizzo et al. 396/420
- 2014/0099092 A1 * 4/2014 Di Leo 396/420

OTHER PUBLICATIONS

F&V DR-2 Foldable Rig Movie Kit Shoulder Mount Spider Steady Rig for Camera Shot—Black. [online] Retrieved Feb. 23, 2015 from URL: <<http://www.dx.com/p/f-v-dr-2-foldable-rig-movie-kit-shoulder-mount-spider-steady-rig-for-camera-shot-black-218232#reviews>>.*

* cited by examiner

Primary Examiner — Susan Bennett Hattan
Assistant Examiner — Vy Koenig

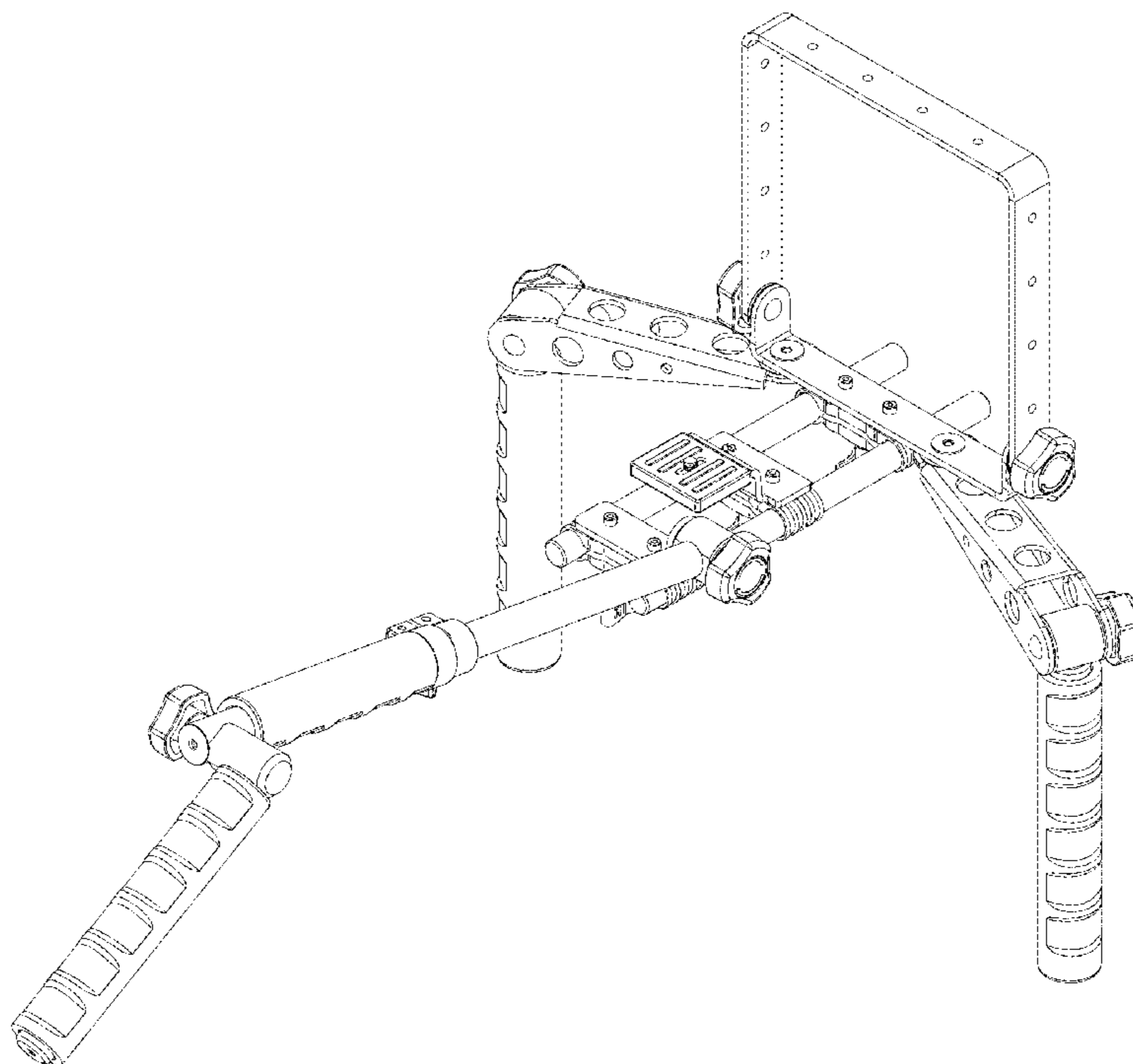
(57) **CLAIM**

The ornamental design for a camera shoulder support, as shown and described.

DESCRIPTION

FIG. 1 is a perspective view of camera shoulder support showing my present design, FIG. 2 is another perspective view of camera shoulder support in a up side down position, FIG. 3 is a front view thereof; FIG. 4 is a rear view thereof; FIG. 5 is a left side view thereof; FIG. 6 is a right side view thereof; FIG. 7 is a top view thereof; and, FIG. 8 is a bottom view thereof.

1 Claim, 8 Drawing Sheets



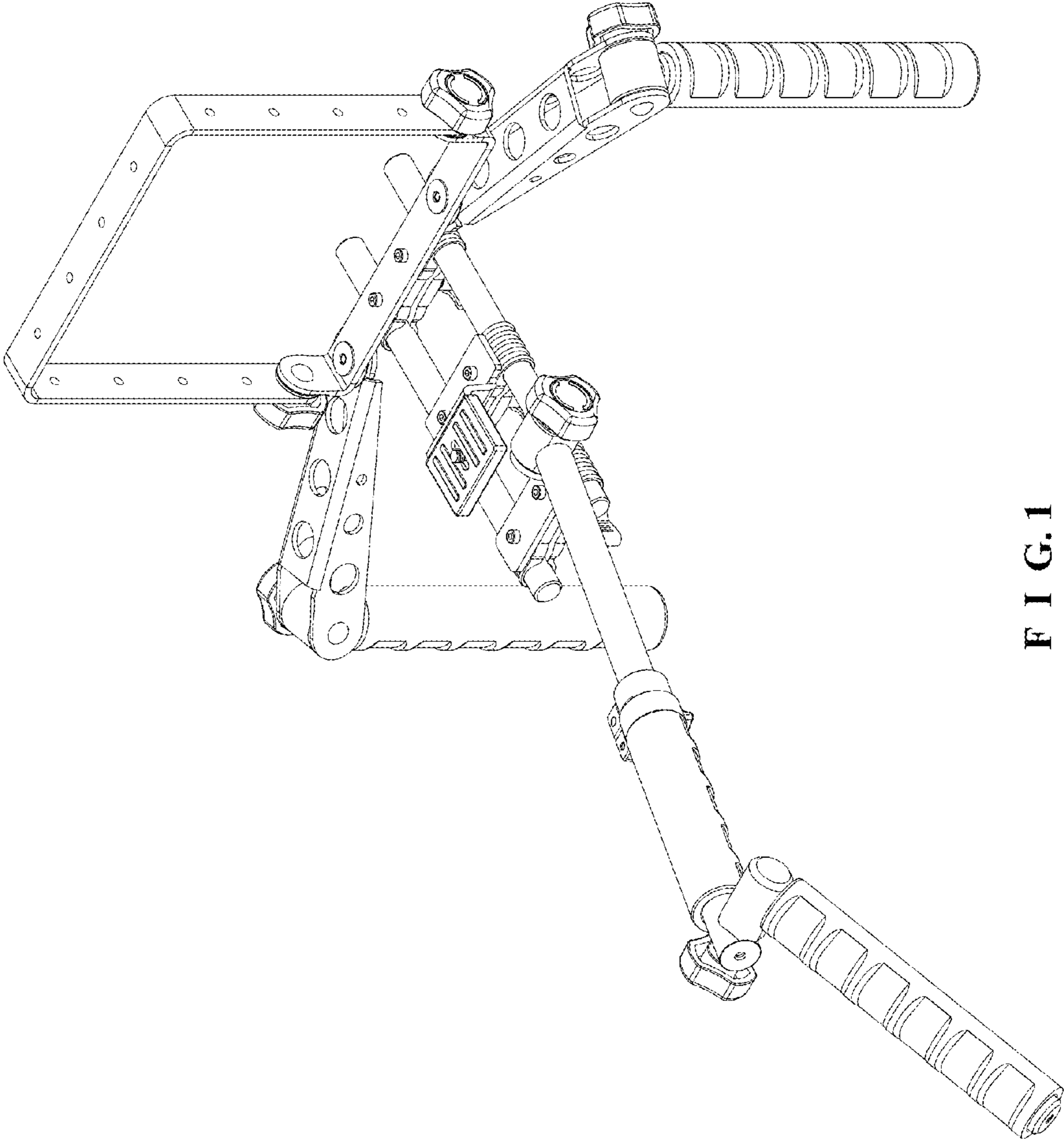


FIG. 1

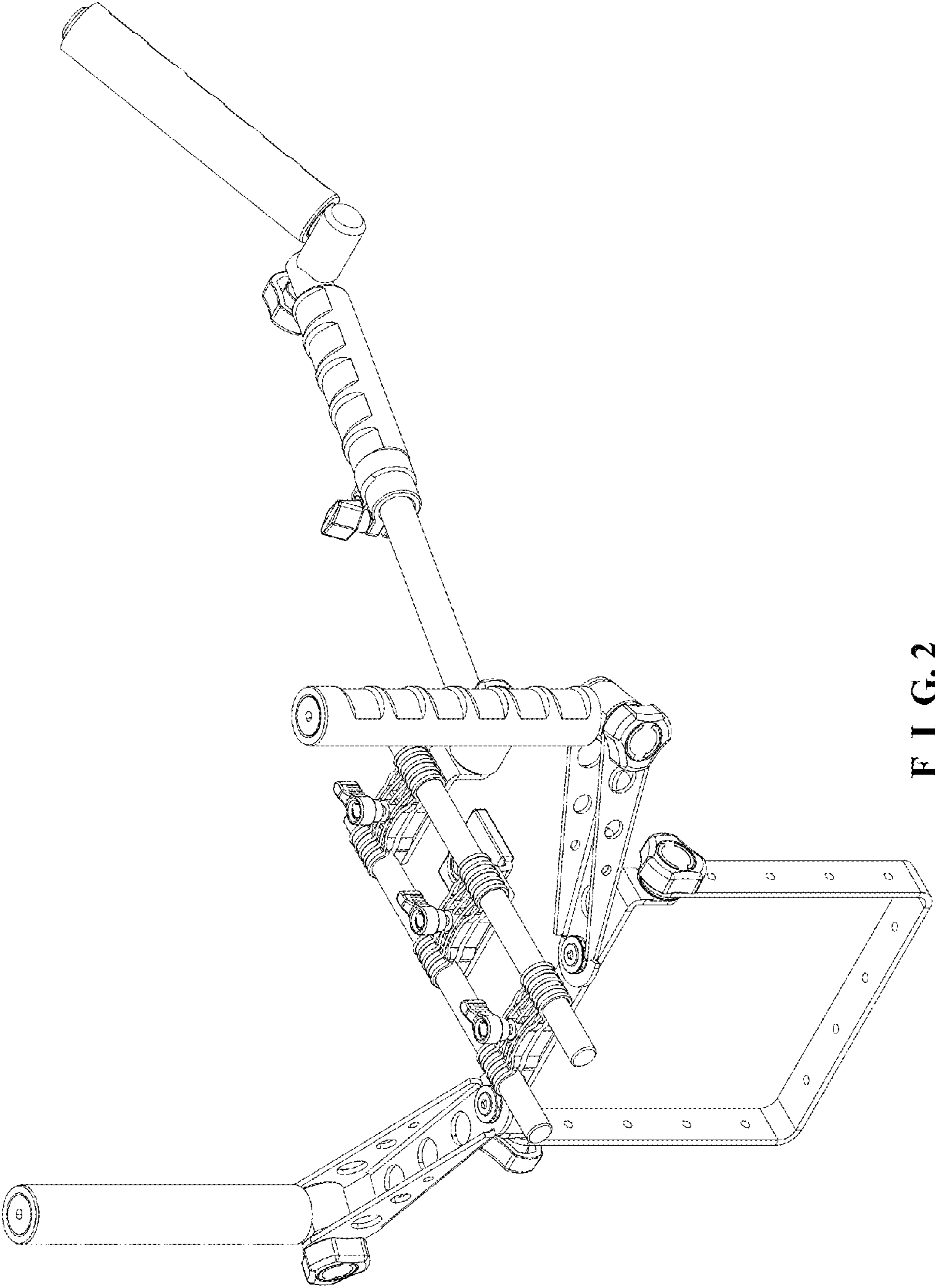


FIG. 2

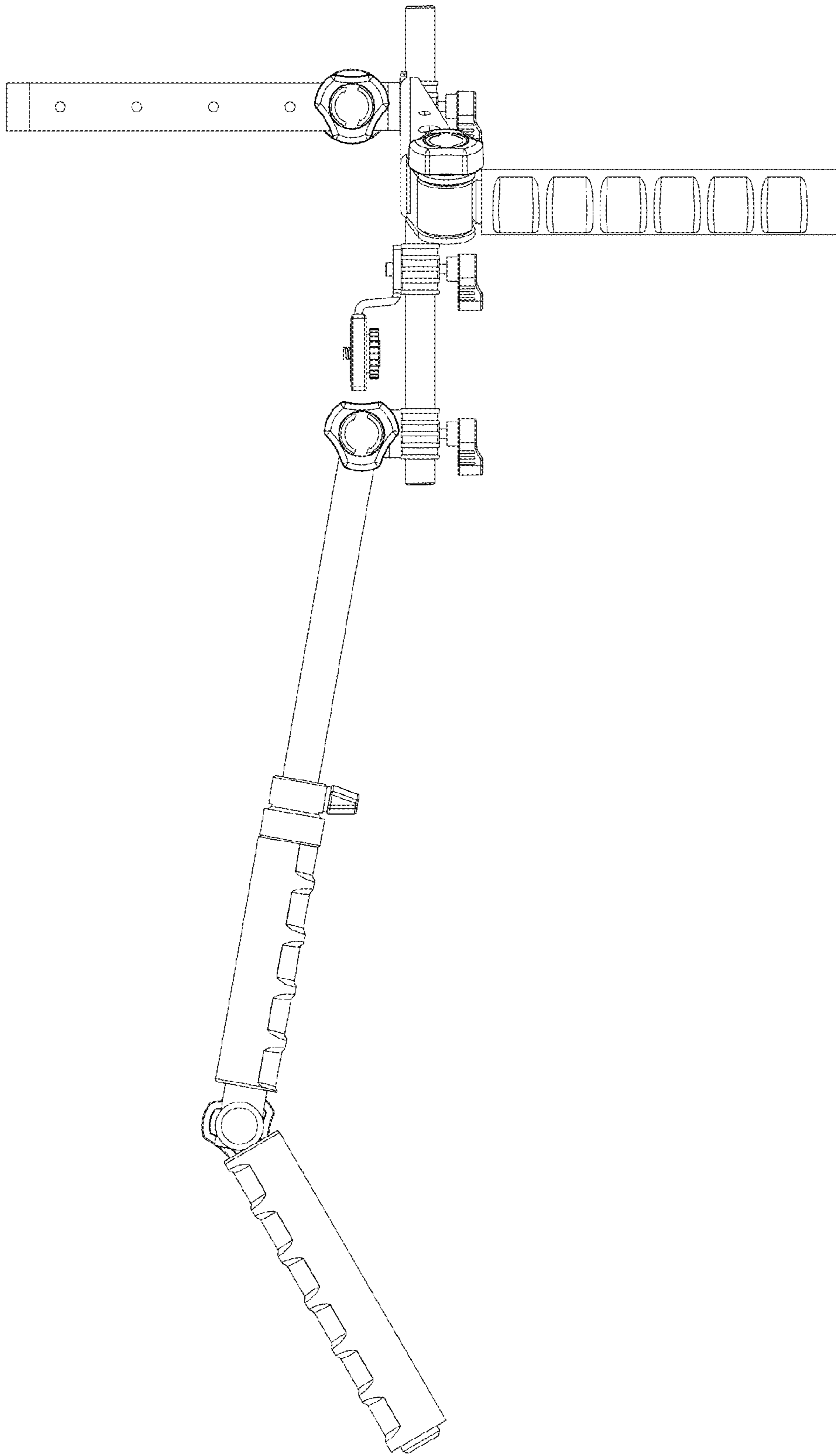


FIG. 3

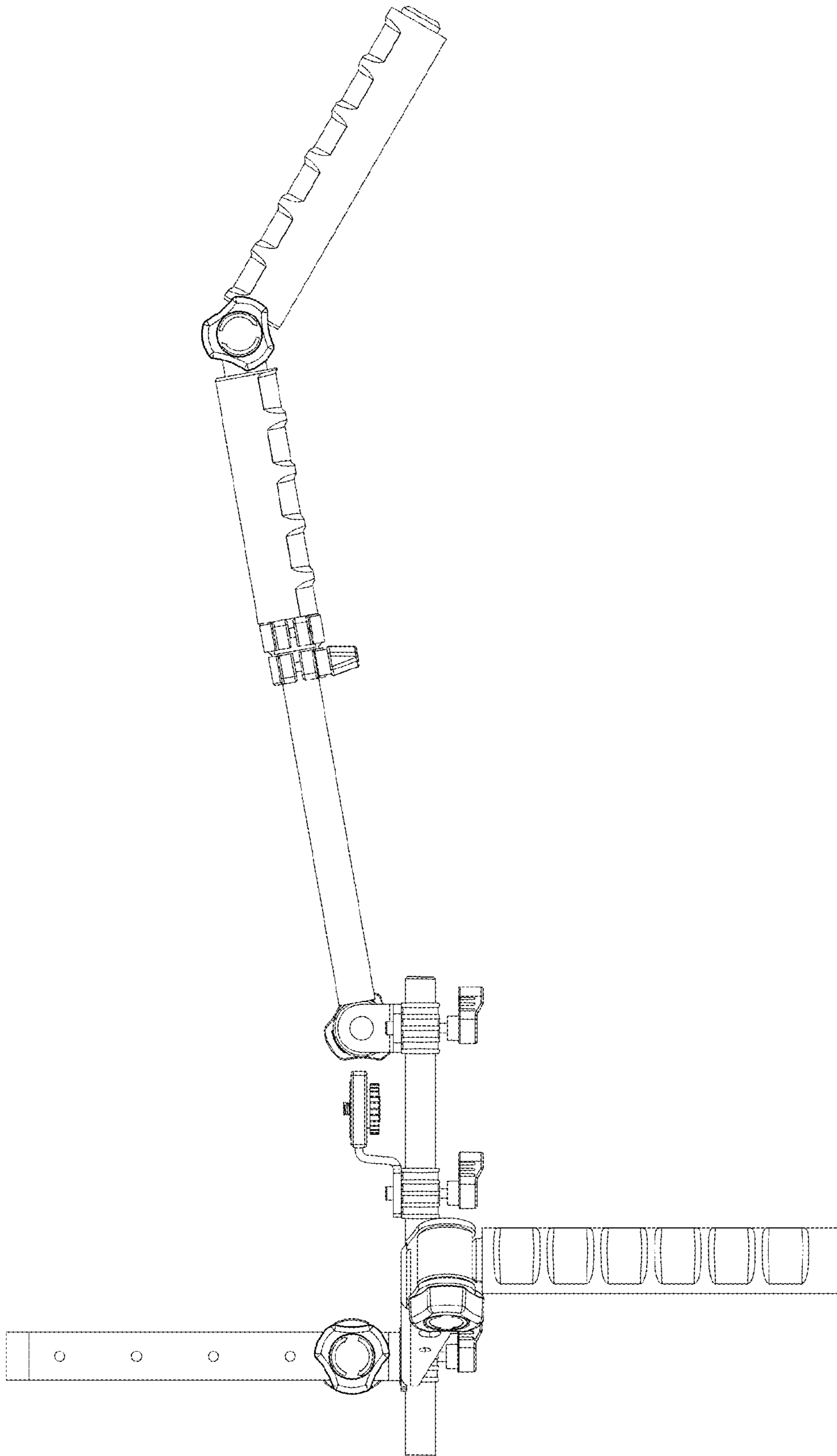


FIG. 4

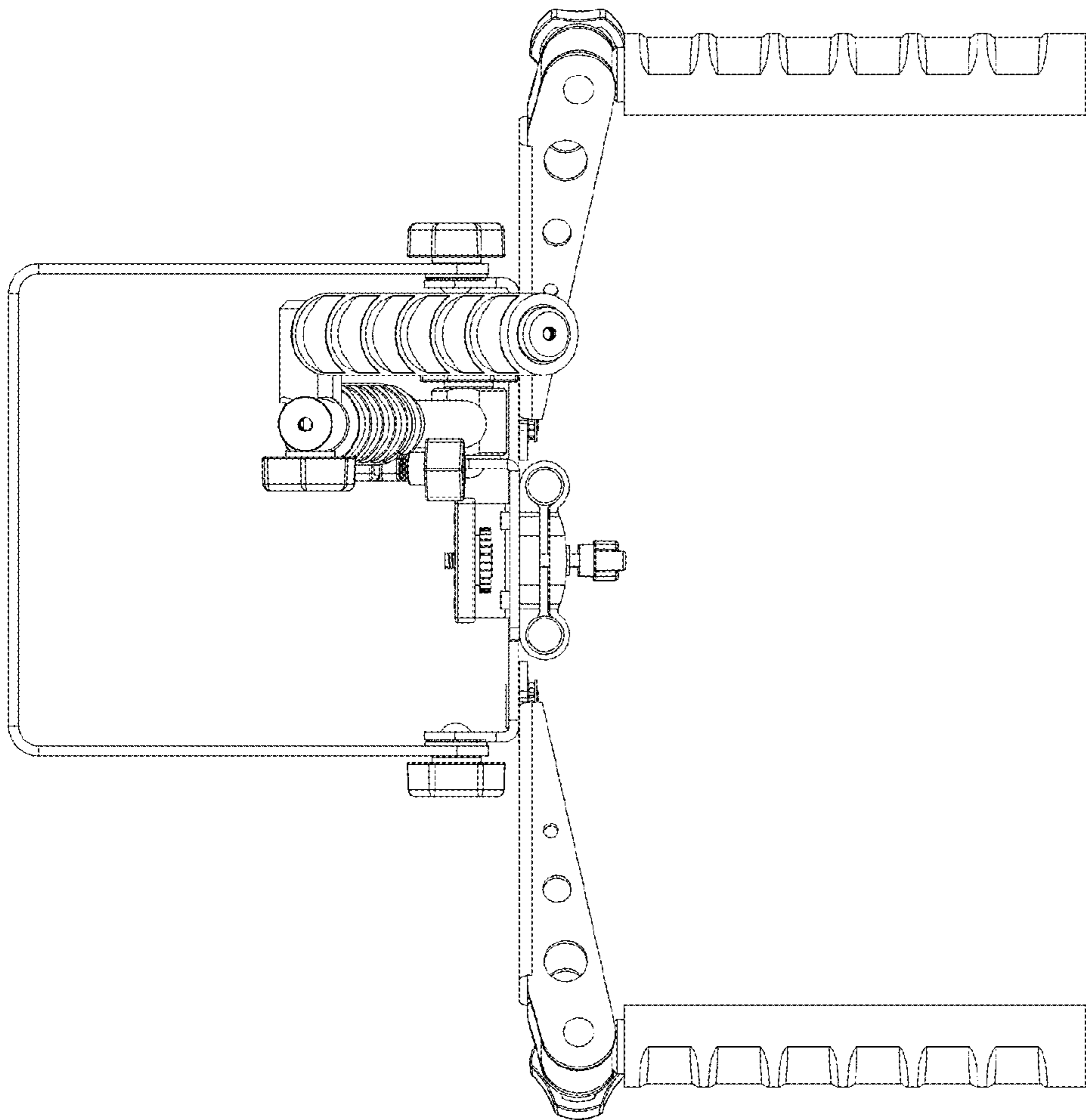


FIG. 5

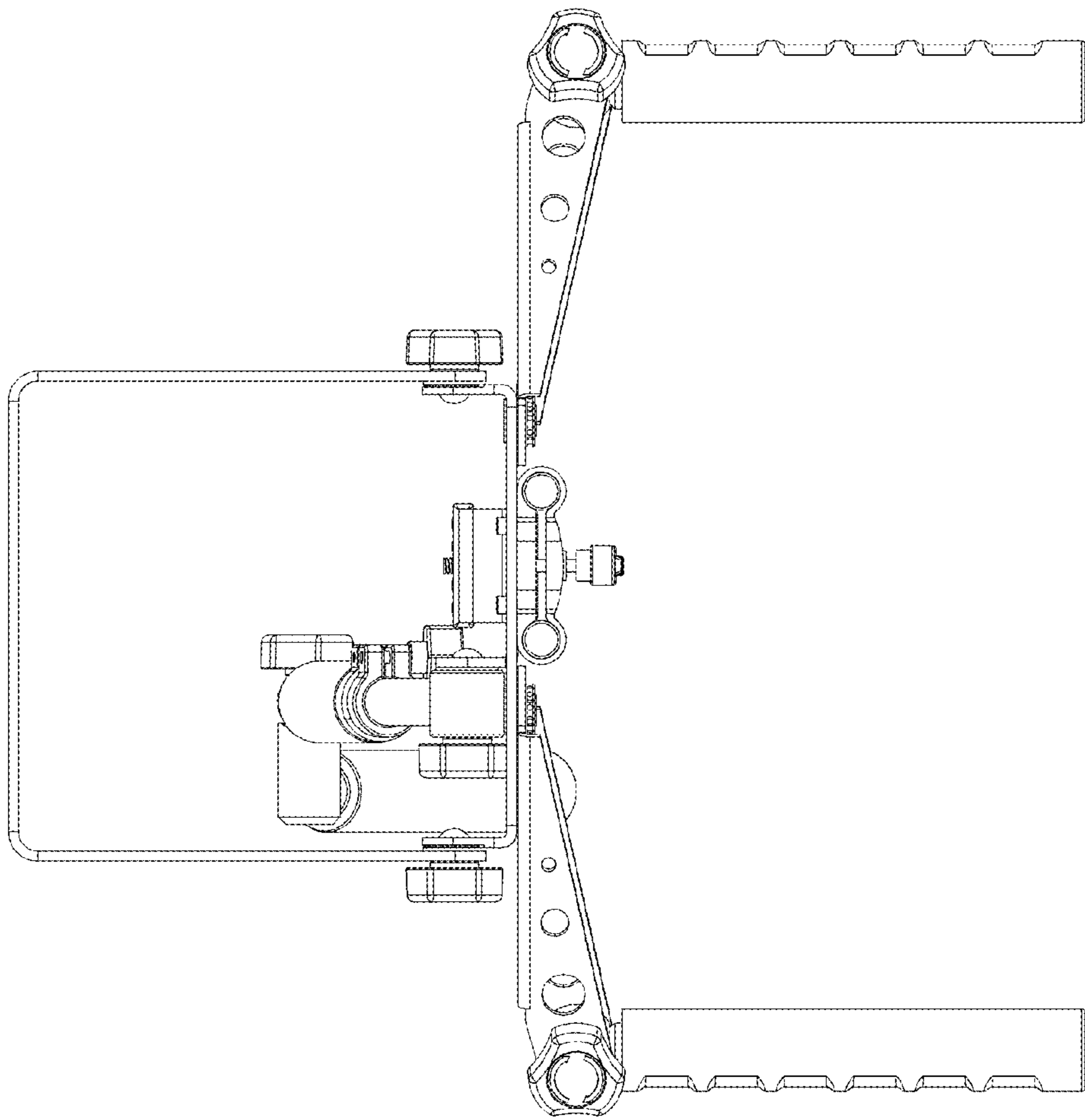


FIG. 6

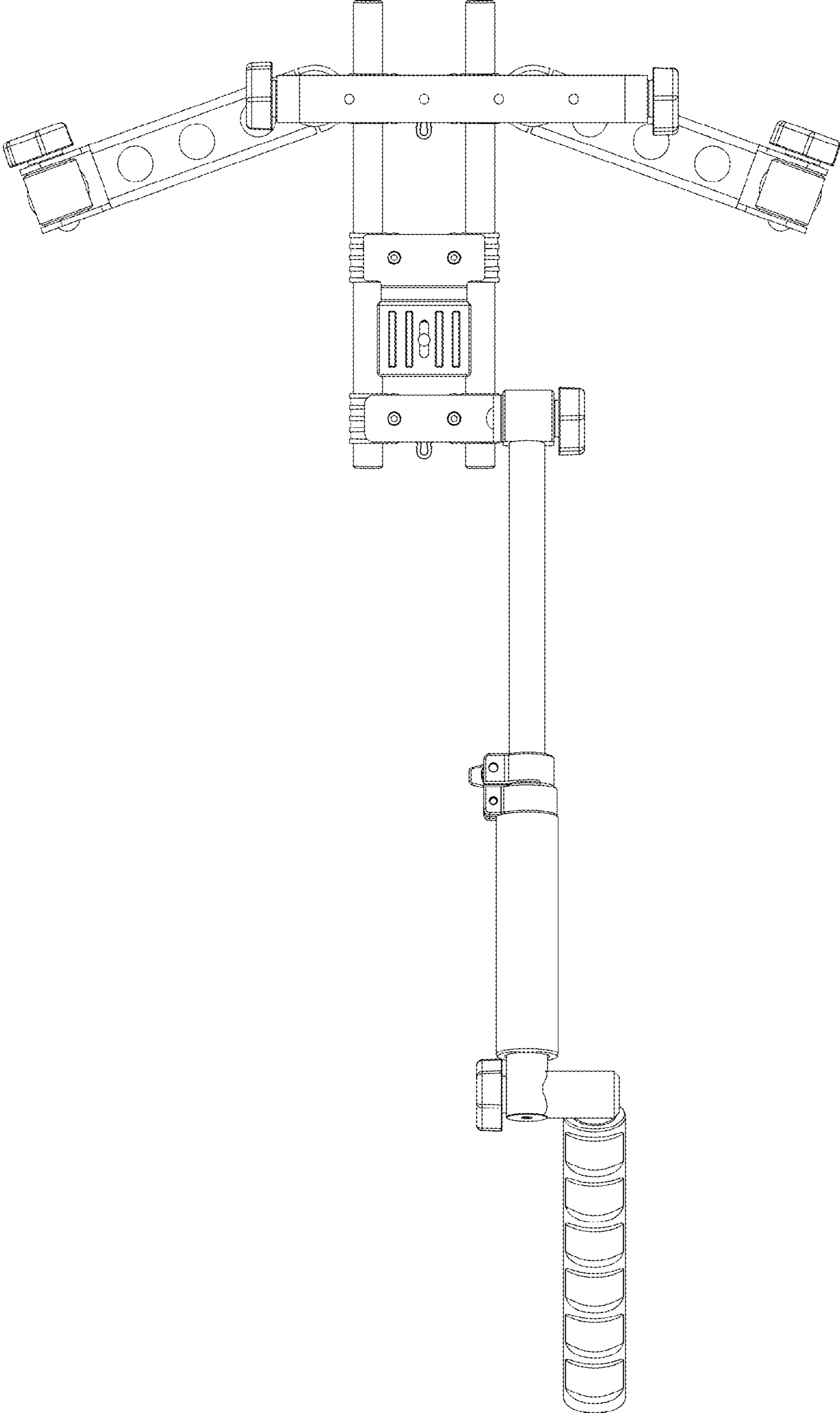


FIG. 7

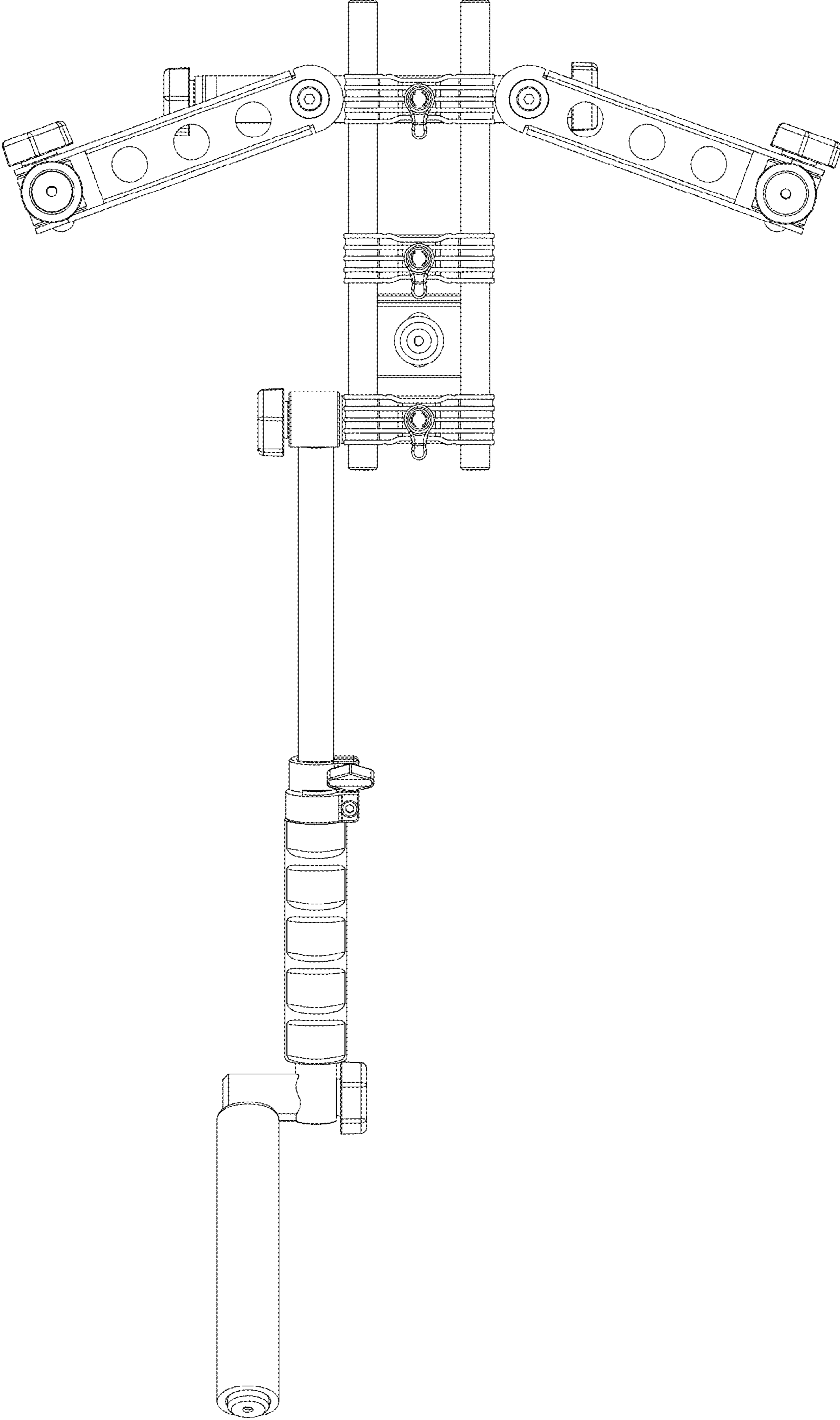


FIG. 8