



US00D728000S

(12) **United States Design Patent**  
**Inui et al.**

(10) **Patent No.:** **US D728,000 S**  
(45) **Date of Patent:** **\*\* Apr. 28, 2015**

(54) **LAMP FOR PROJECTOR**

(71) Applicant: **Hitachi Maxell, Ltd.**, Osaka (JP)

(72) Inventors: **Shinro Inui**, Osaka (JP); **Hiroshi Ohshima**, Osaka (JP); **Nobuki Matsui**, Osaka (JP)

(73) Assignee: **Hitachi Maxell, Ltd.**, Osaka (JP)

(\*\*) Term: **14 Years**

(21) Appl. No.: **29/479,430**

(22) Filed: **Jan. 16, 2014**

(30) **Foreign Application Priority Data**

Jul. 31, 2013 (JP) ..... 2013-017530

(51) **LOC (10) Cl.** ..... **16-02**

(52) **U.S. Cl.**  
USPC ..... **D16/235**

(58) **Field of Classification Search**  
USPC ..... D16/221, 225, 235; D26/1, 24, 28, 36;  
352/198, 203; 353/52, 87, 85, 119;  
362/227, 297, 345, 362, 373

See application file for complete search history.

(56) **References Cited**

U.S. PATENT DOCUMENTS

D616,912 S *	6/2010	Sasaki .....	D16/235
D630,237 S *	1/2011	Inui et al. ....	D16/235
D650,823 S *	12/2011	Inui et al. ....	D16/235
D650,824 S *	12/2011	Inui et al. ....	D16/235
D653,689 S *	2/2012	Inui et al. ....	D16/235
D701,259 S *	3/2014	Inui et al. ....	D16/235

\* cited by examiner

*Primary Examiner* — Wan Laymon

(74) *Attorney, Agent, or Firm* — Baker Botts L.L.P.

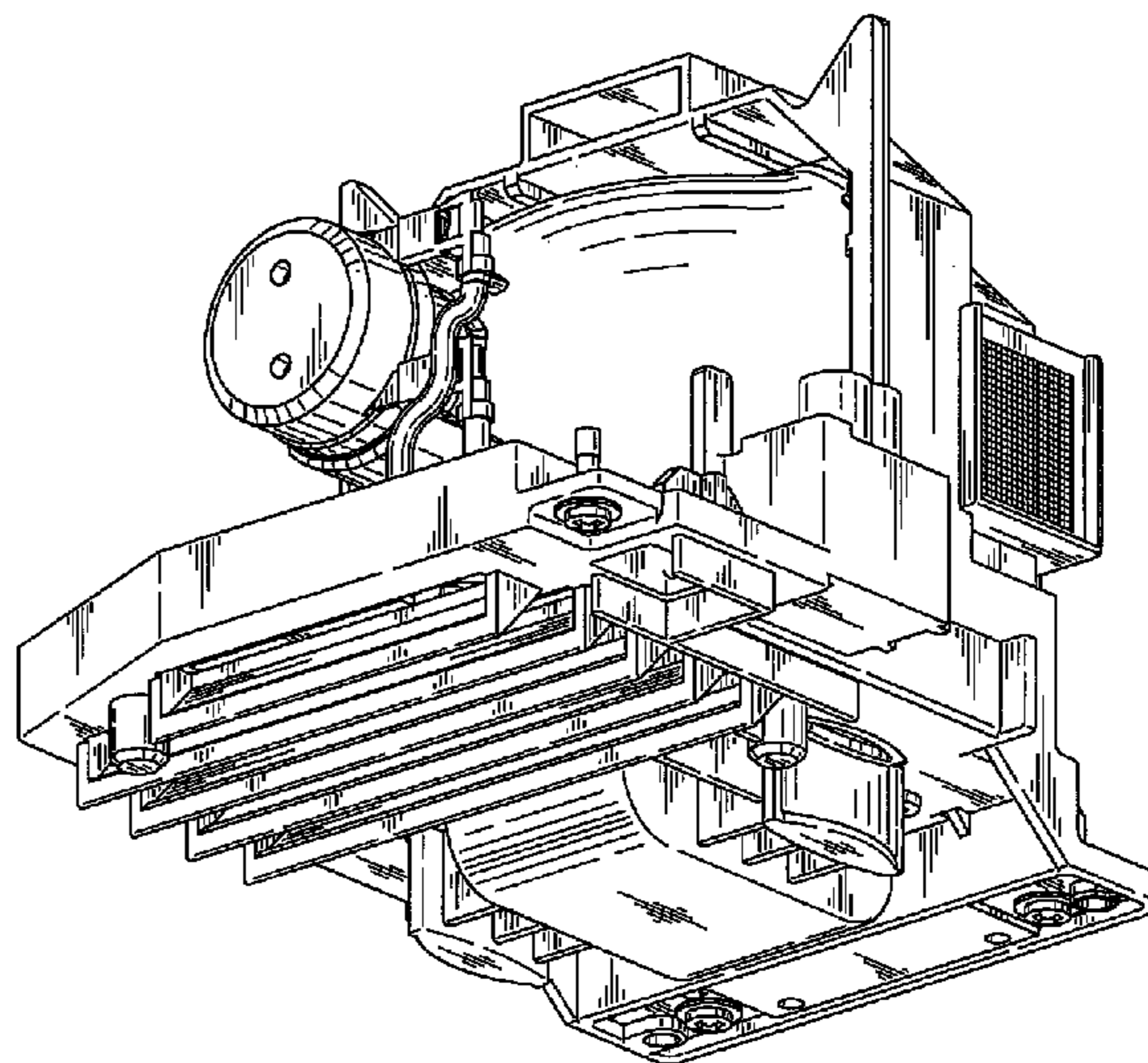
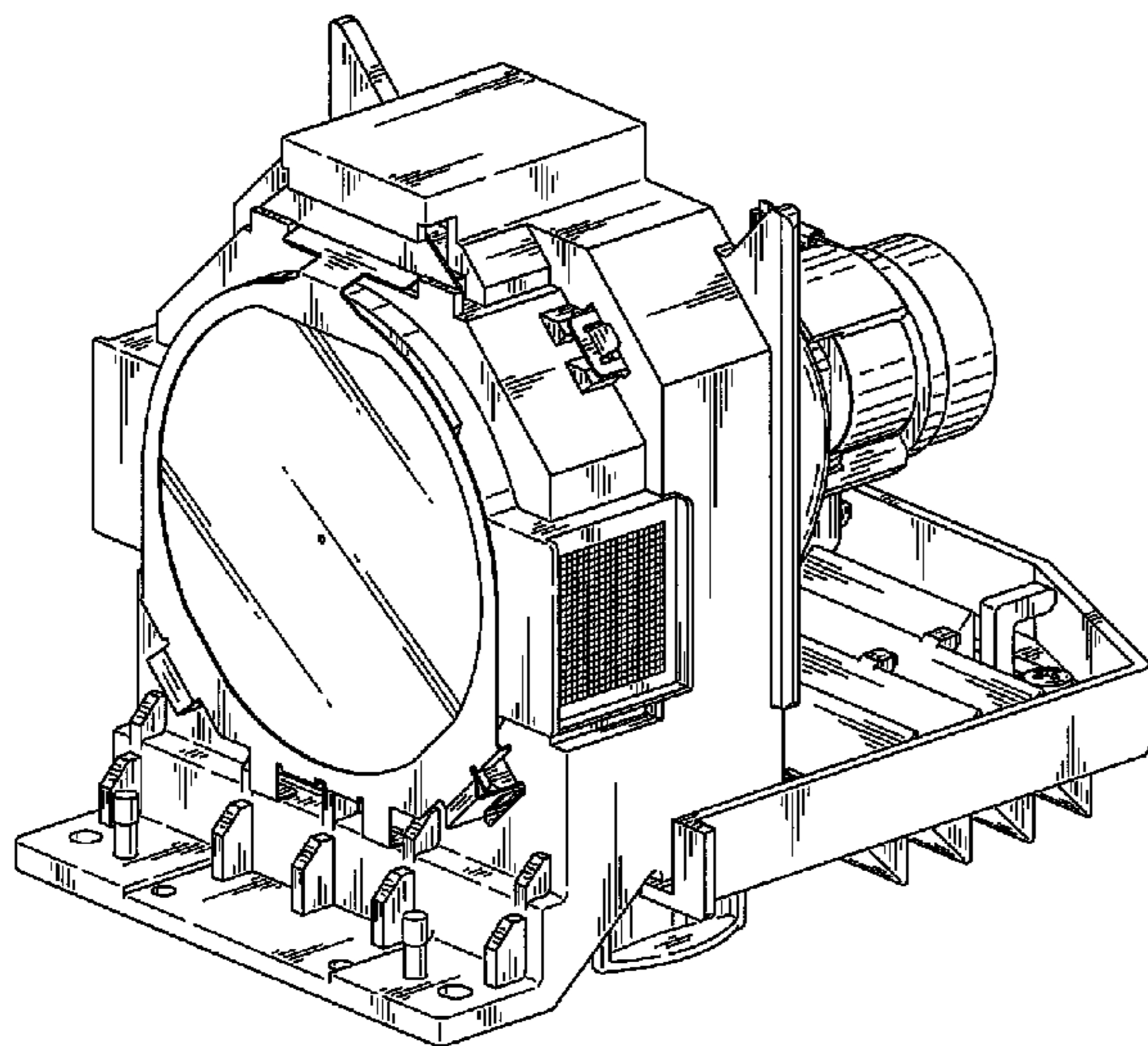
(57) **CLAIM**

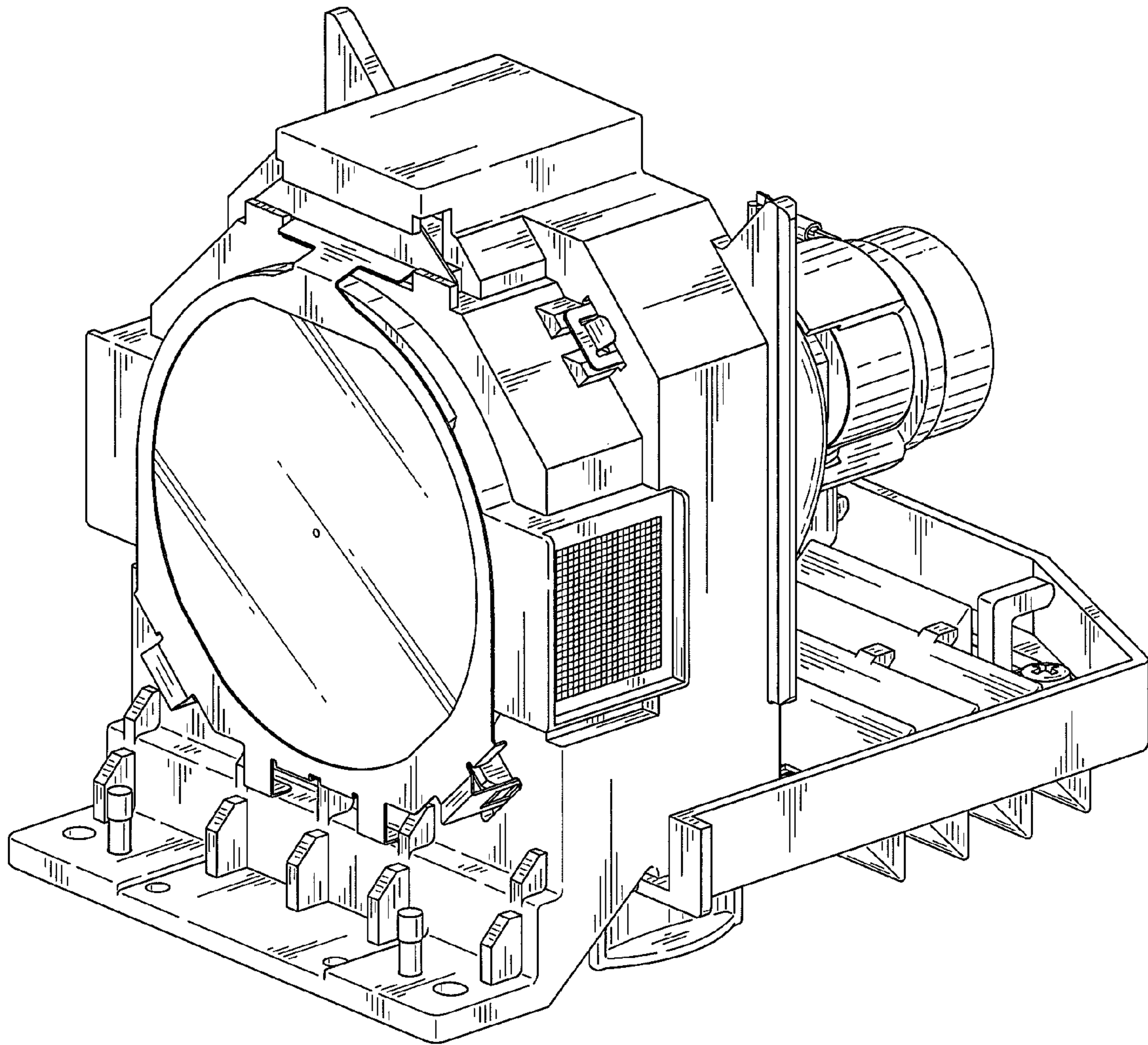
We claim the ornamental design for a lamp for projector, as shown.

**DESCRIPTION**

FIG. 1 is a front, top and right side perspective view of a lamp for projector showing our new design; FIG. 2 is a rear, bottom and left side perspective view thereof; FIG. 3 is a front elevational view thereof; FIG. 4 is a rear elevational view thereof; FIG. 5 is a left side elevational view thereof; FIG. 6 is a right side elevational view thereof; FIG. 7 is a top plan view thereof; and, FIG. 8 is a bottom plan view thereof.

**1 Claim, 8 Drawing Sheets**





**FIG. 1**

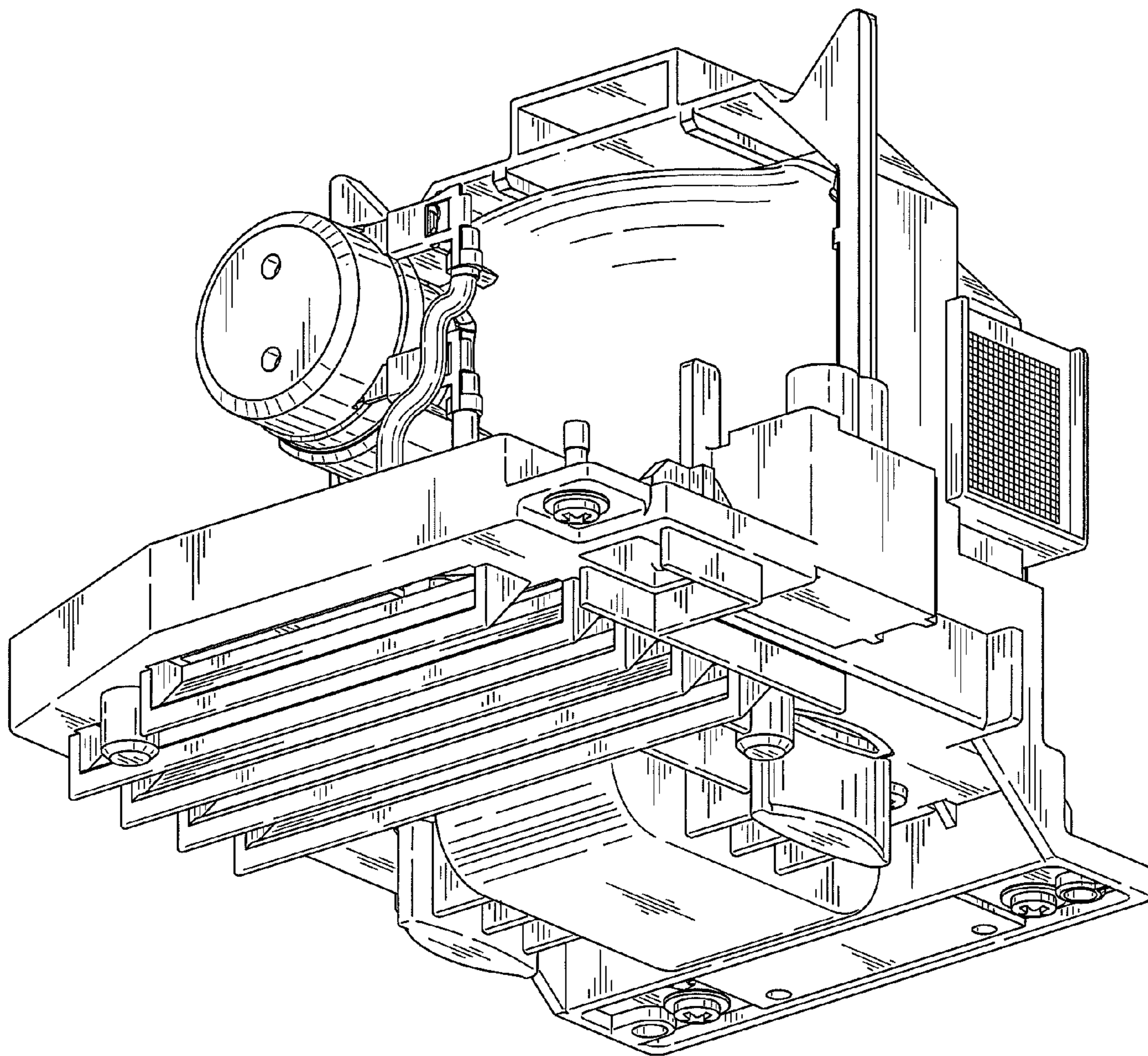
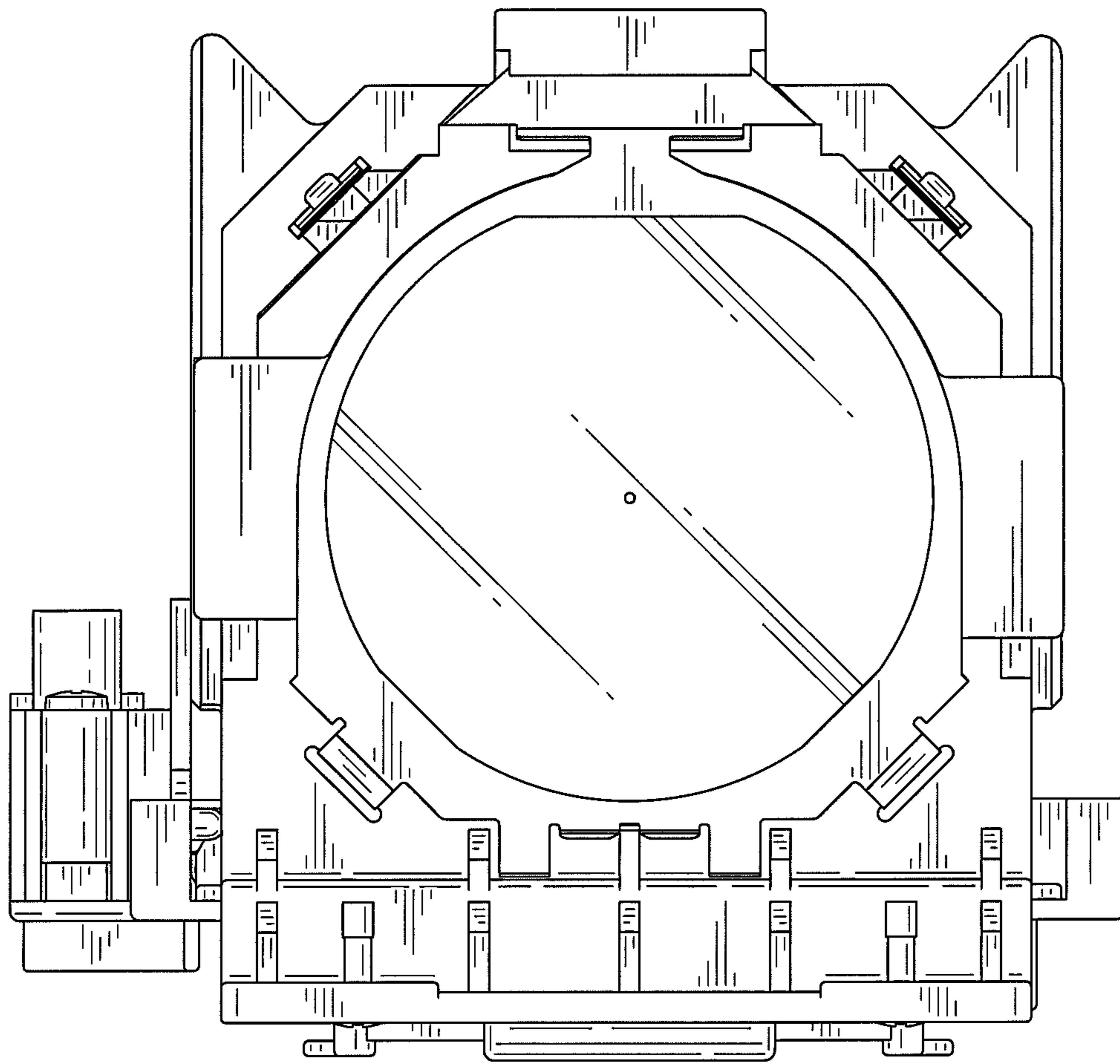
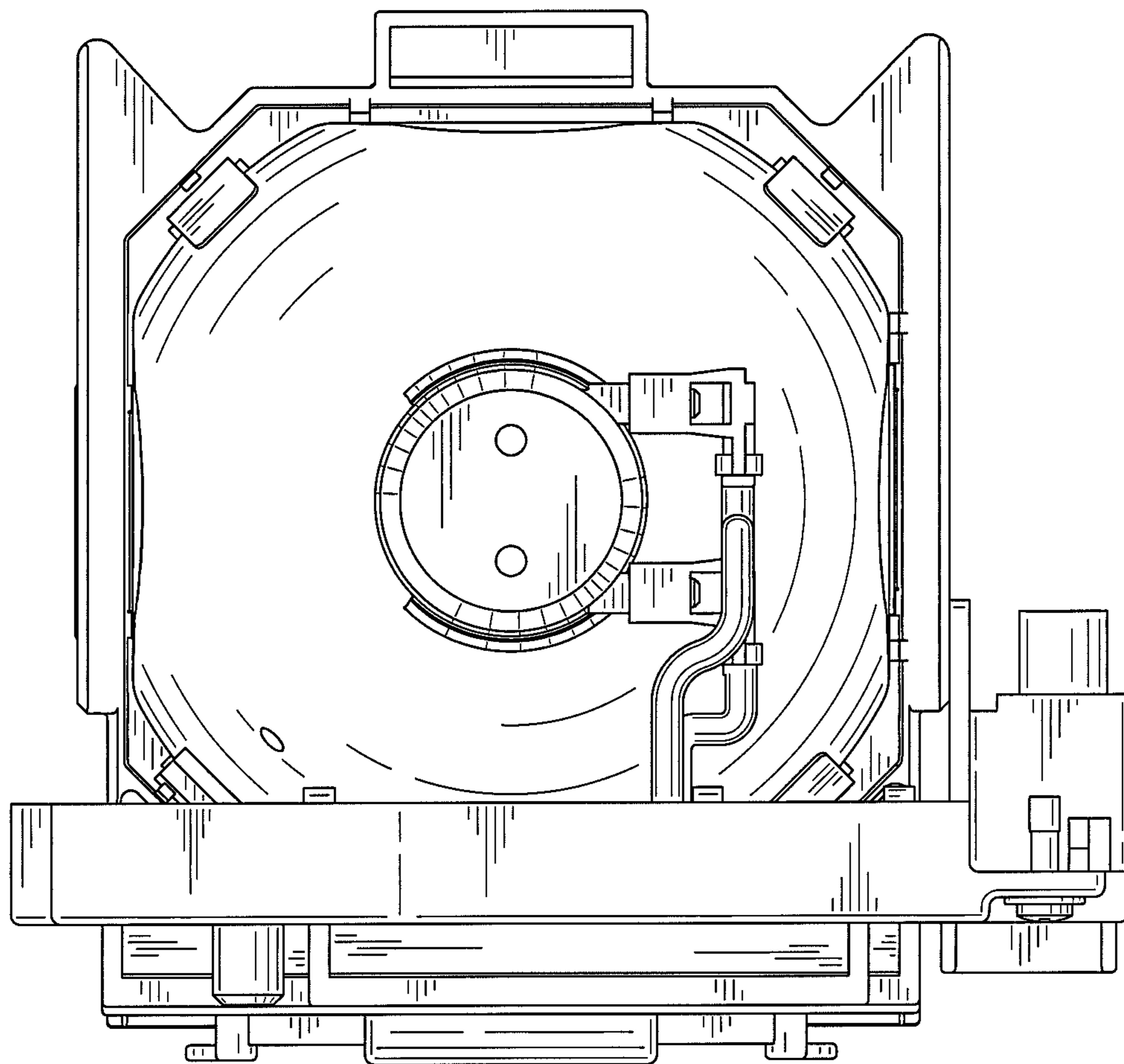


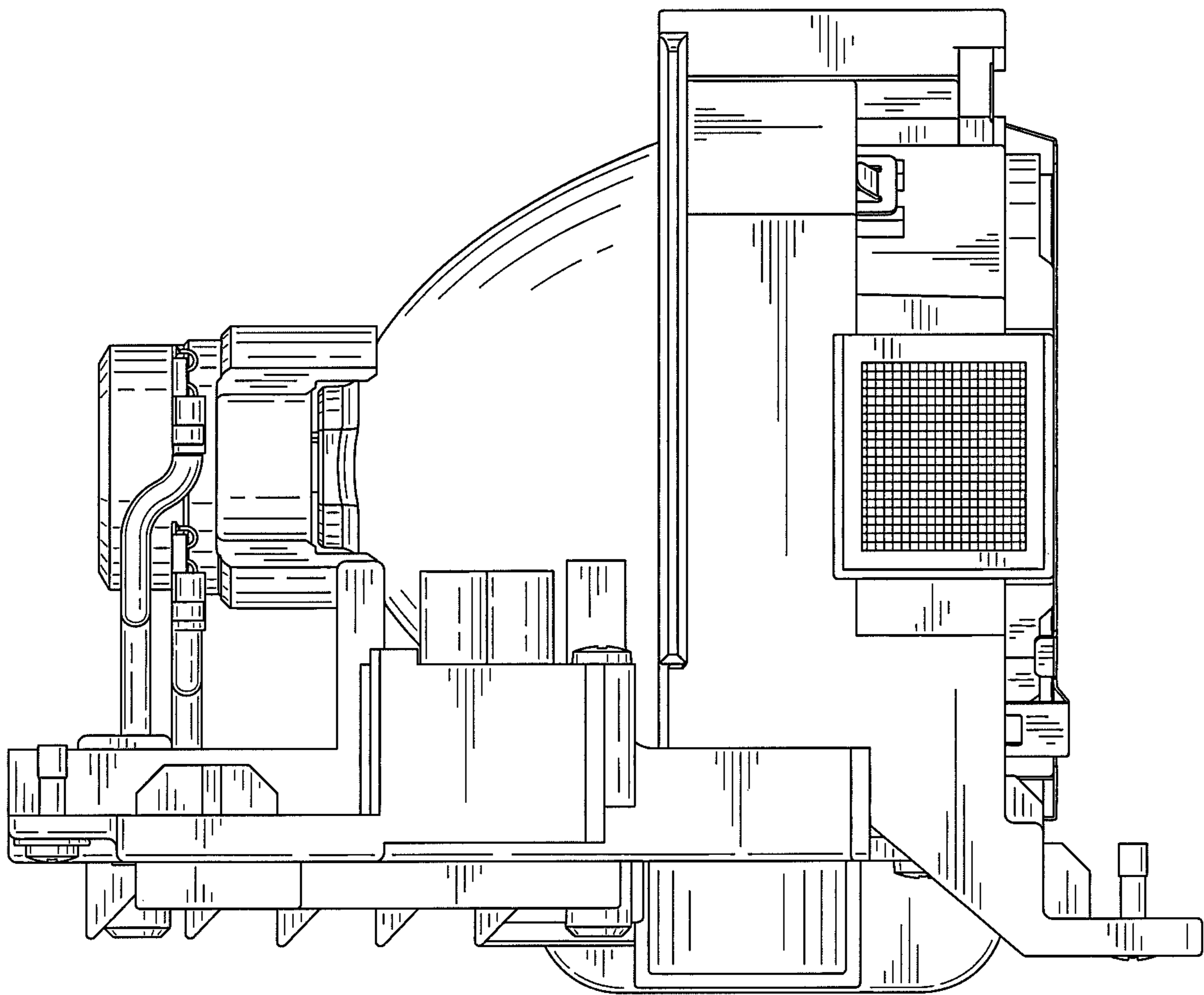
FIG. 2



*FIG. 3*



*FIG. 4*



*FIG. 5*

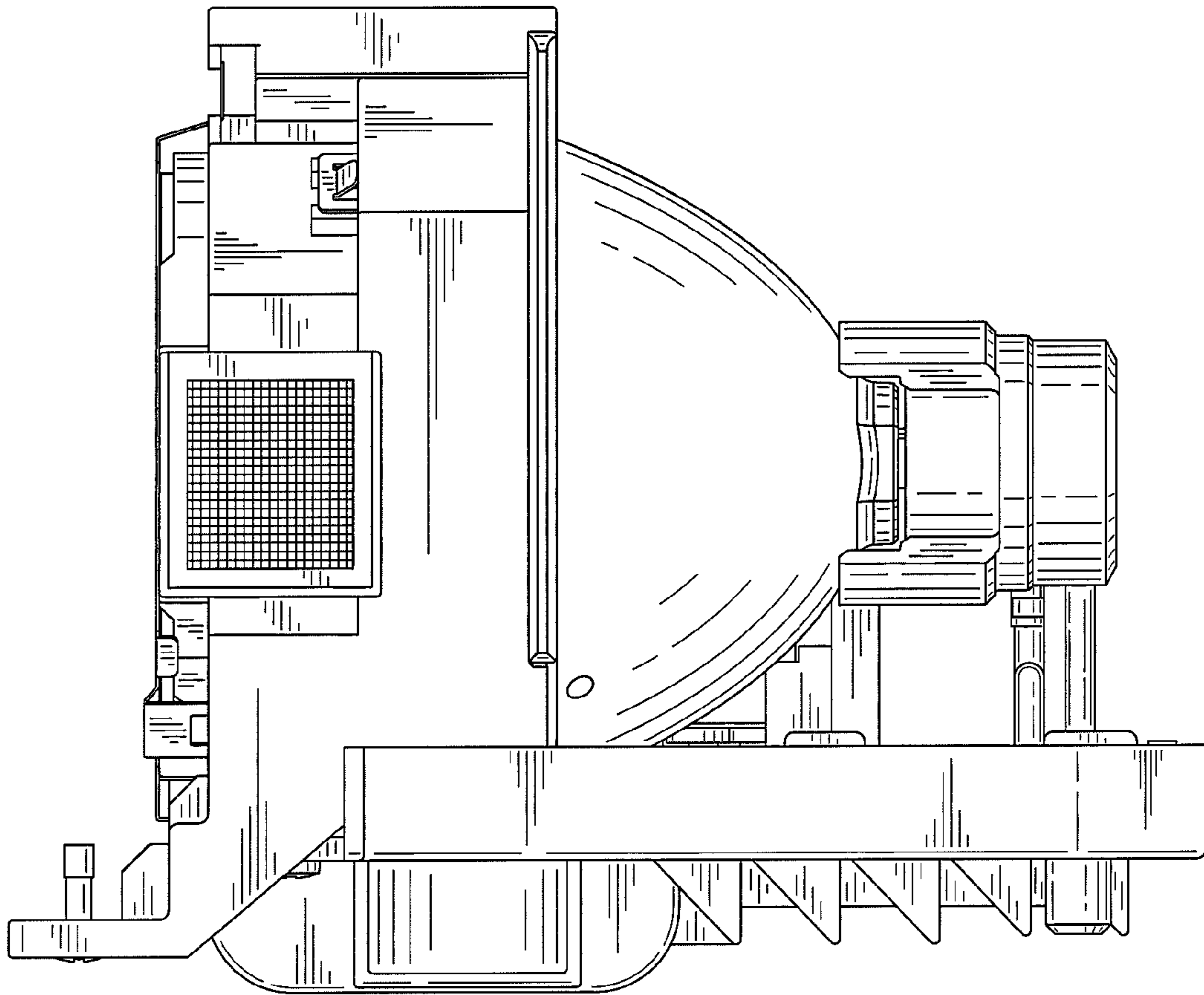


FIG. 6

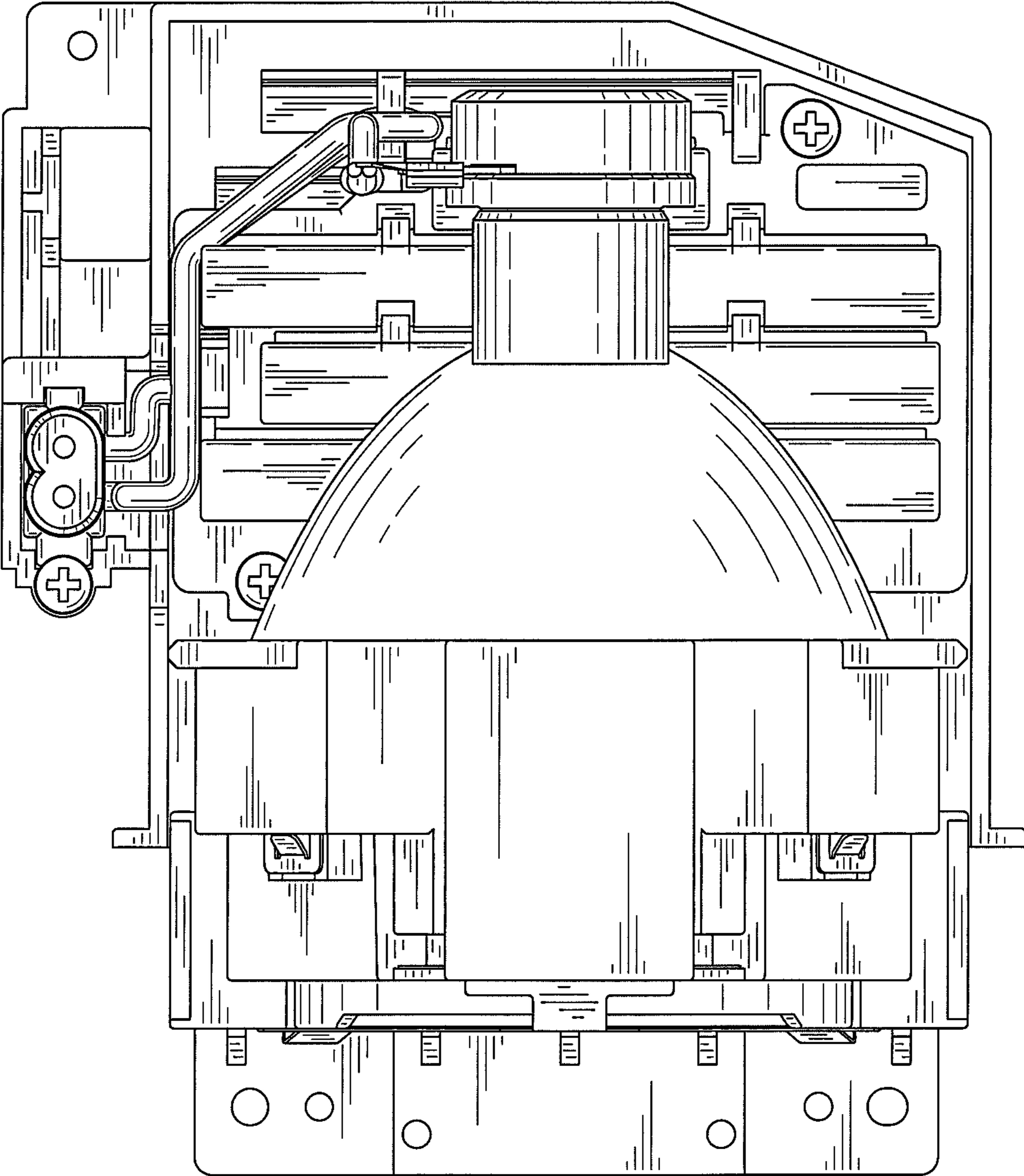


FIG. 7



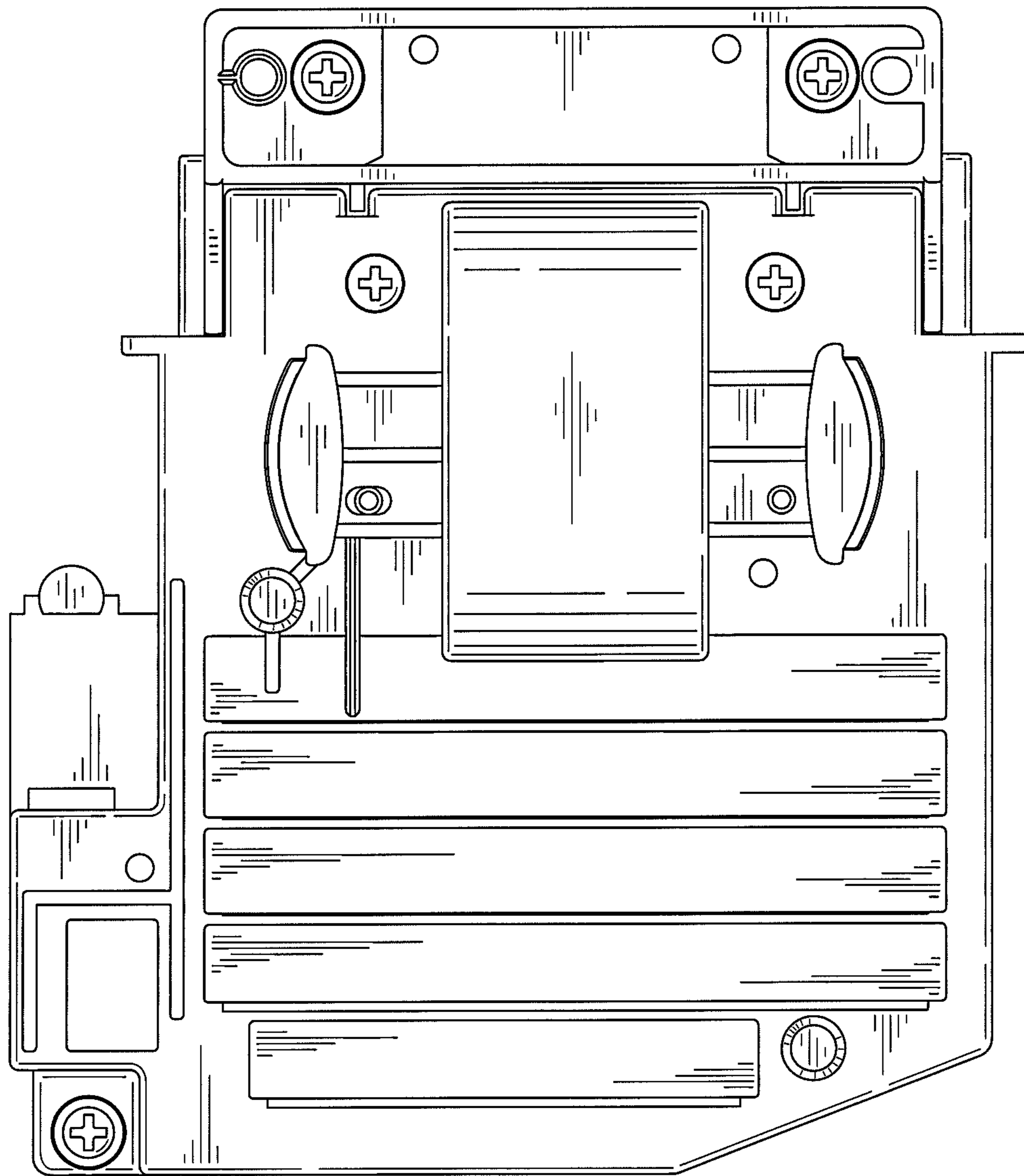


FIG. 8