



US00D727998S

(12) **United States Design Patent**  
**Yuyama**

(10) **Patent No.:** **US D727,998 S**

(45) **Date of Patent:** **\*\* Apr. 28, 2015**

(54) **PROJECTOR**

(71) Applicant: **Panasonic Corporation**, Kadoma-shi,  
Osaka (JP)

(72) Inventor: **Keiji Yuyama**, Osaka (JP)

(73) Assignee: **Panasonic Intellectual Property  
Management Co., Ltd.**, Osaka (JP)

(\*\*) Term: **14 Years**

(21) Appl. No.: **29/489,047**

(22) Filed: **Apr. 25, 2014**

(30) **Foreign Application Priority Data**

Nov. 5, 2013 (JP) ..... 2013-025819

(51) **LOC (10) Cl.** ..... **16-02**

(52) **U.S. Cl.**  
USPC ..... **D16/230; D16/219**

(58) **Field of Classification Search**  
USPC ..... D16/203–204, 219, 221, 225, 230, 235;  
D26/61, 63, 68; 353/115, 119, 122;  
362/362

See application file for complete search history.

(56) **References Cited**

**U.S. PATENT DOCUMENTS**

6,695,452 B2 \* 2/2004 Panasewicz et al. .... 353/119  
D487,903 S \* 3/2004 Panasewicz et al. .... D16/225

D554,685 S \* 11/2007 Ishikawa et al. .... D16/221  
D589,995 S \* 4/2009 Kellar et al. .... D16/203  
D627,498 S \* 11/2010 Chipperfield ..... D26/63  
D670,846 S \* 11/2012 Ramirez ..... D26/63  
D717,853 S \* 11/2014 Noreng et al. .... D16/203

\* cited by examiner

*Primary Examiner* — Wan Laymon

(74) *Attorney, Agent, or Firm* — Brinks Gilson & Lione

(57) **CLAIM**

The ornamental design for a projector, as shown and described.

**DESCRIPTION**

FIG. 1 is a front perspective view of a projector of the present invention;

FIG. 2 is a rear perspective view thereof;

FIG. 3 is a front view thereof;

FIG. 4 is a rear view thereof;

FIG. 5 is a first side view thereof;

FIG. 6 is a second side view thereof;

FIG. 7 is a top view thereof; and,

FIG. 8 is a bottom view thereof.

The broken lines shown in the figures are included for the purpose of illustrating environmental elements only and form no part of the claimed design. The dash-dot-dash lines define boundaries of the claimed design and form no part of the claimed design.

**1 Claim, 8 Drawing Sheets**

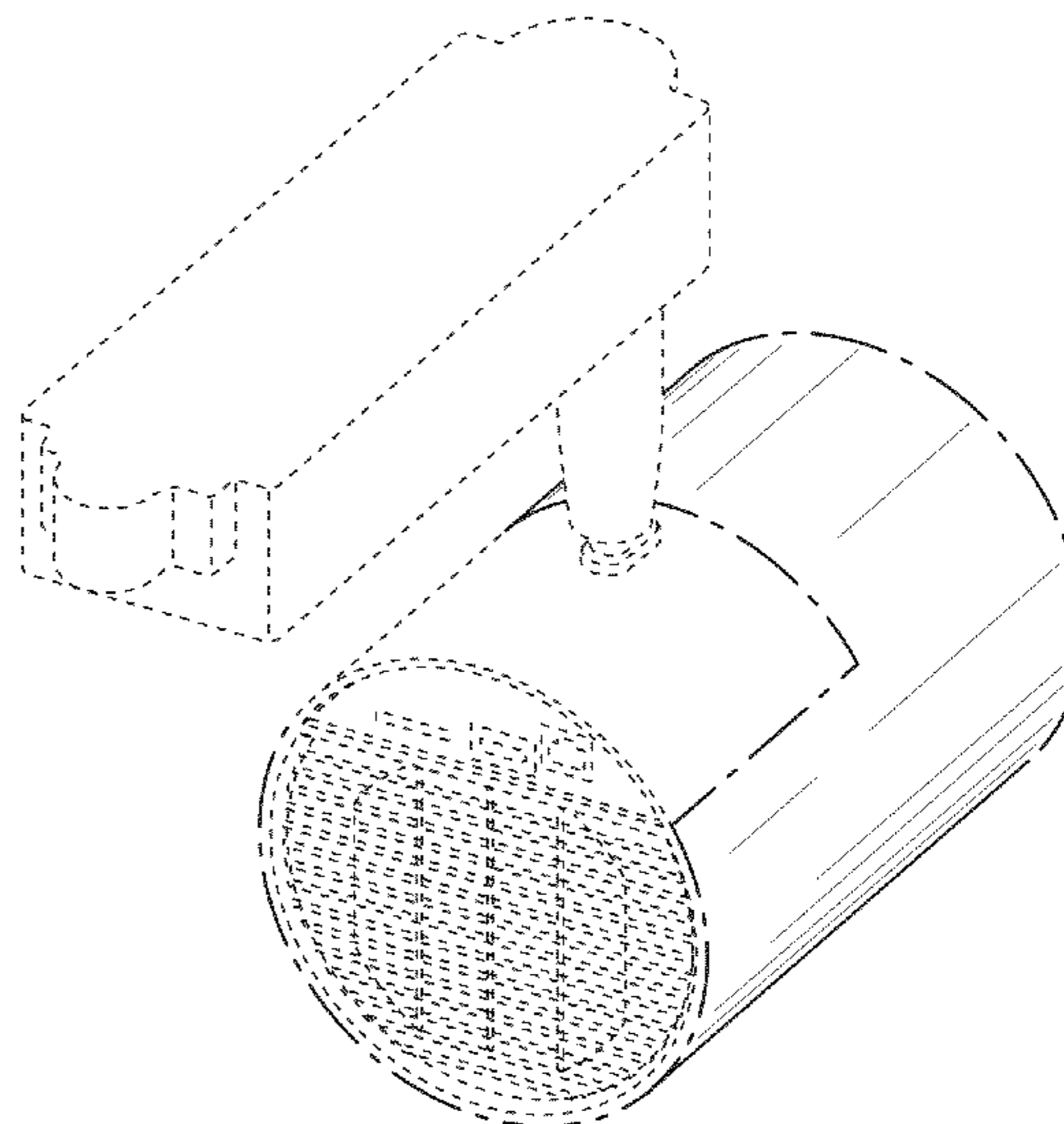
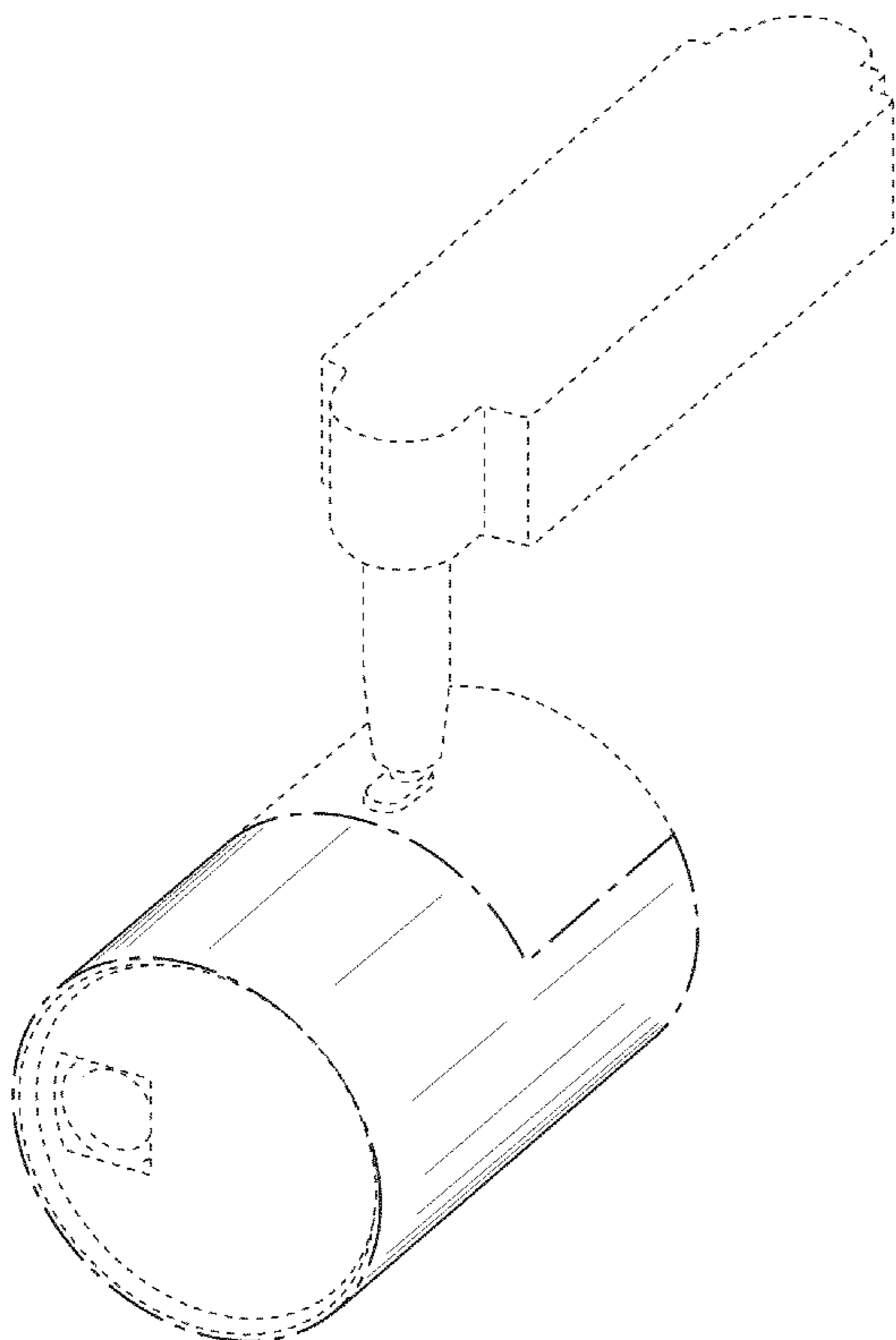


FIG. 1

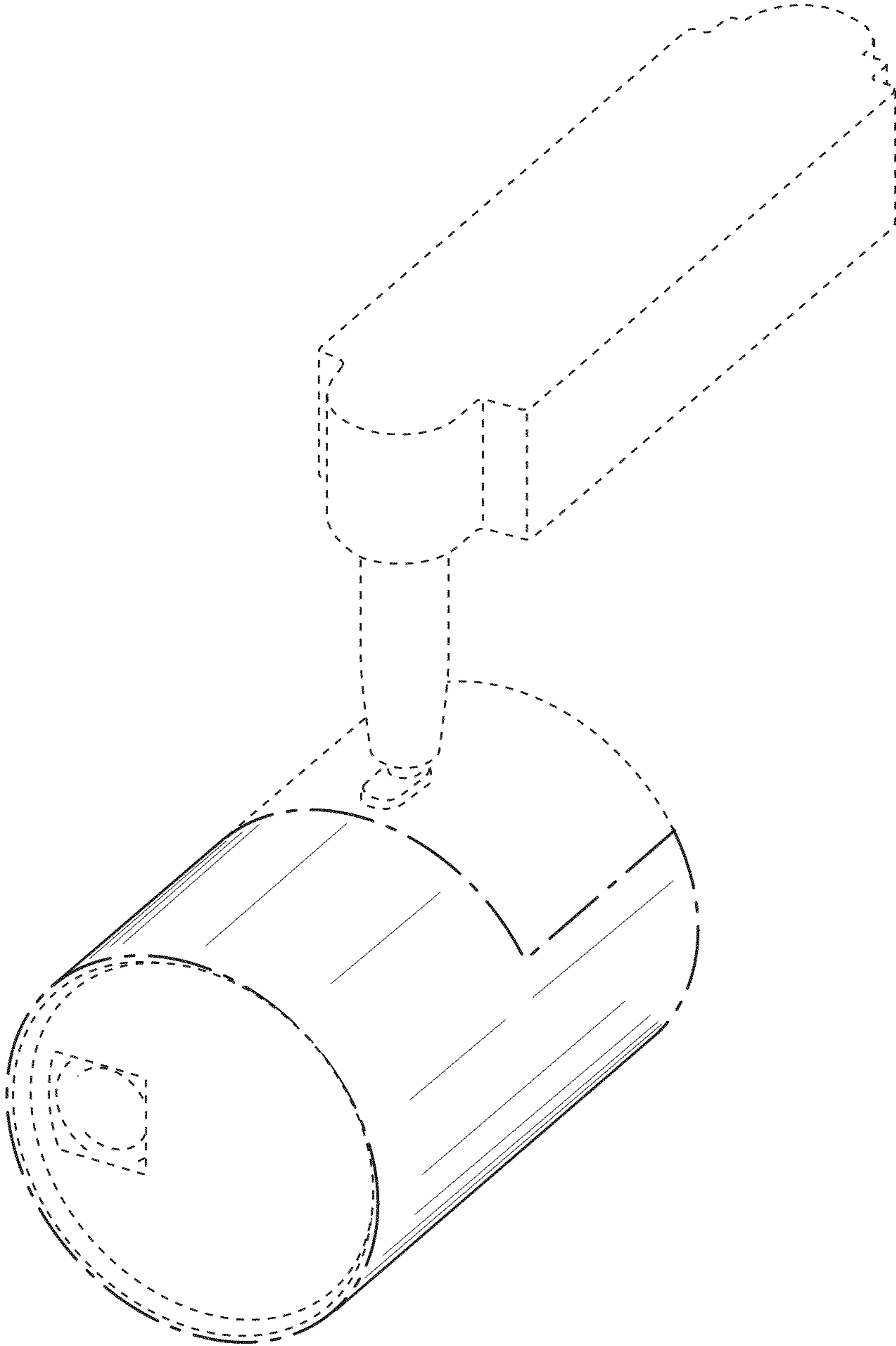


FIG.2

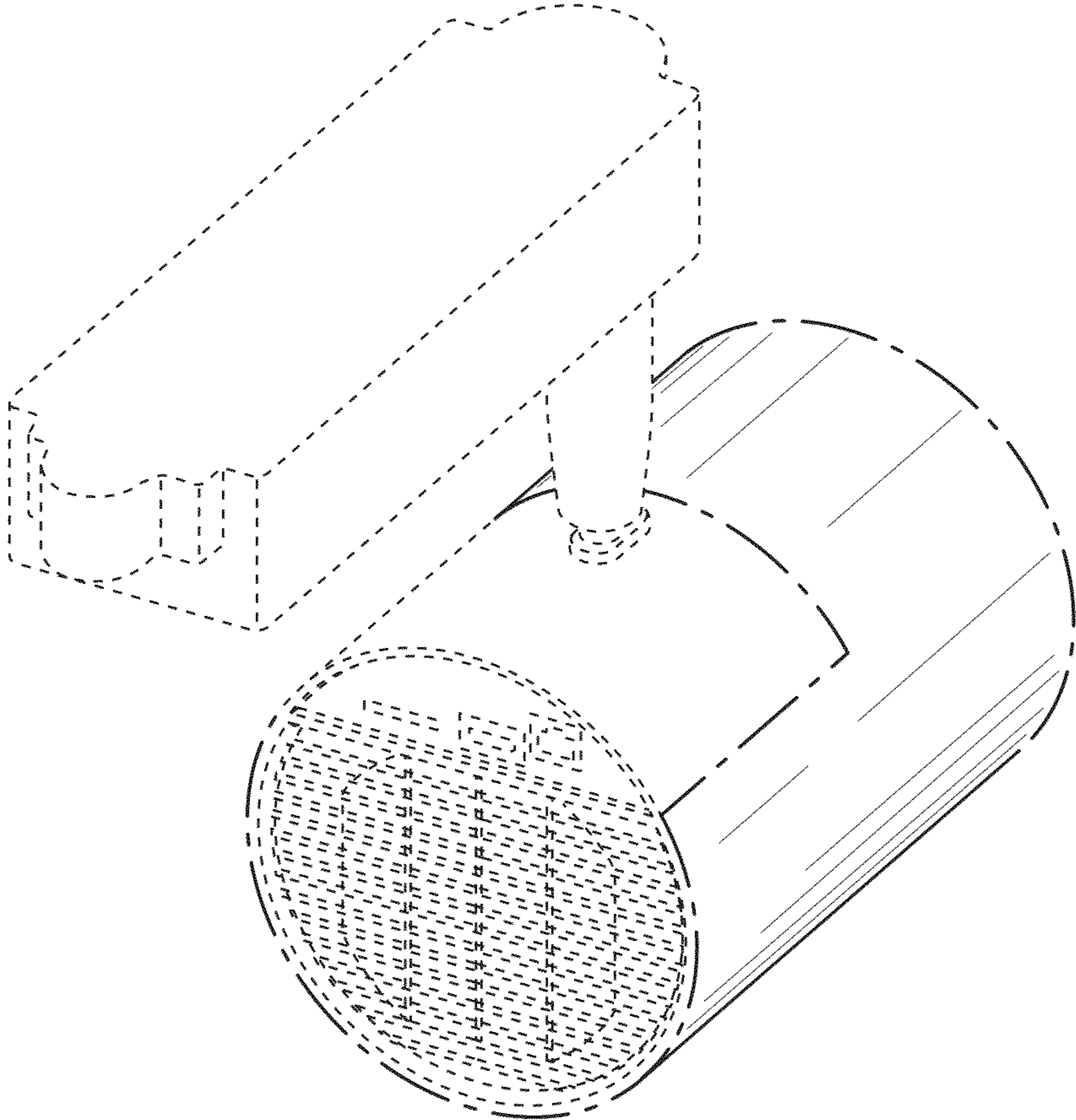


FIG.3

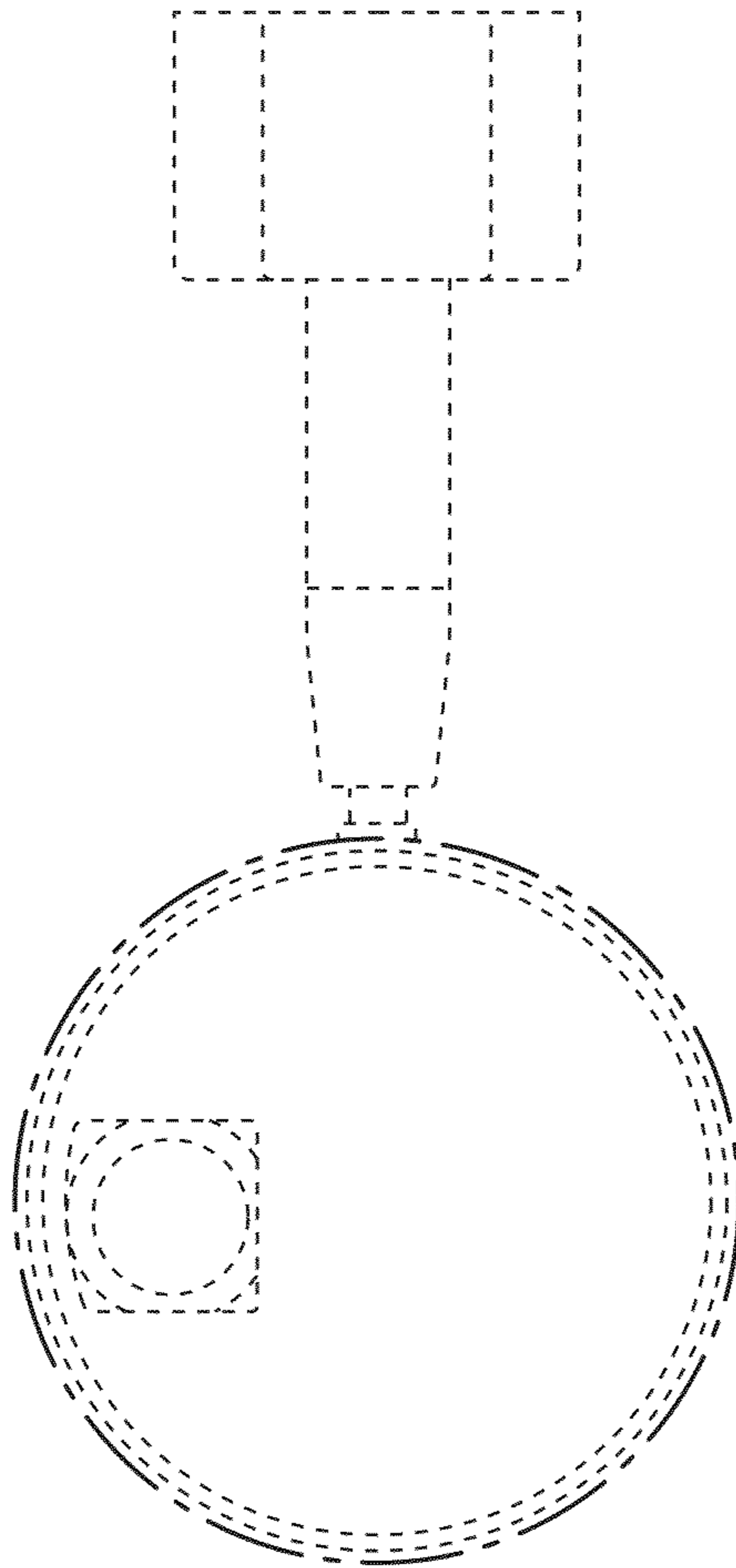


FIG.4

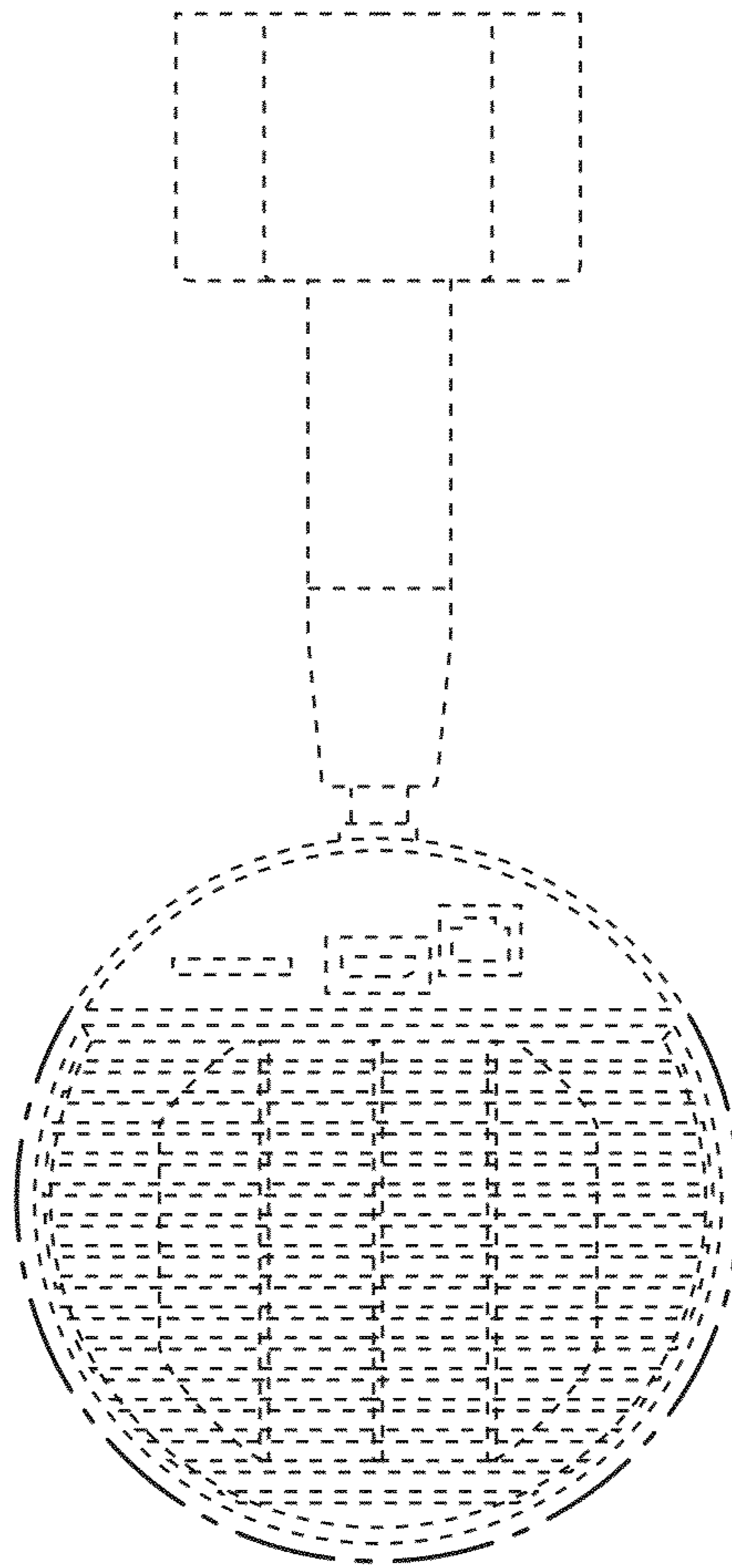


FIG.5

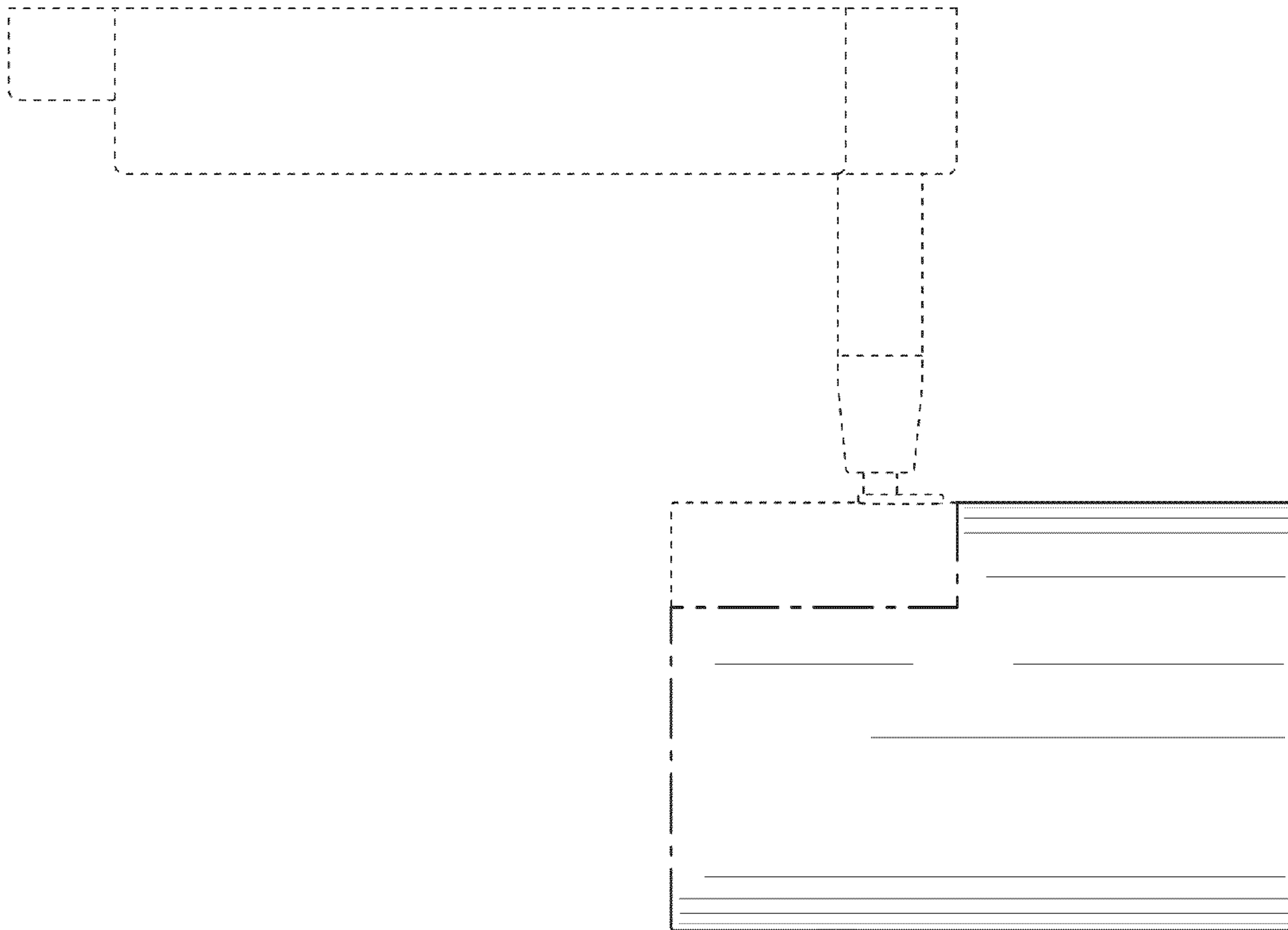


FIG.6

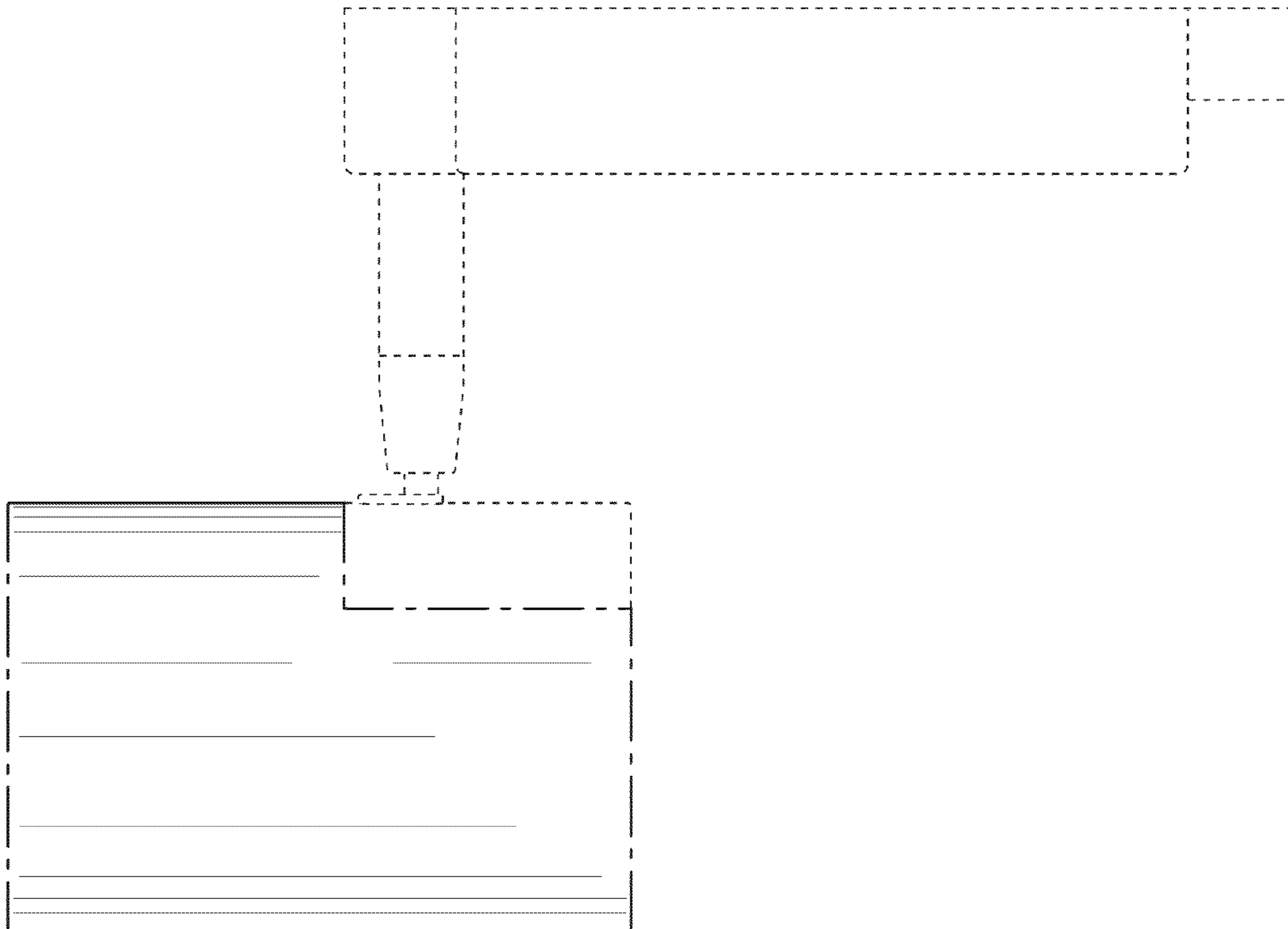


FIG. 7

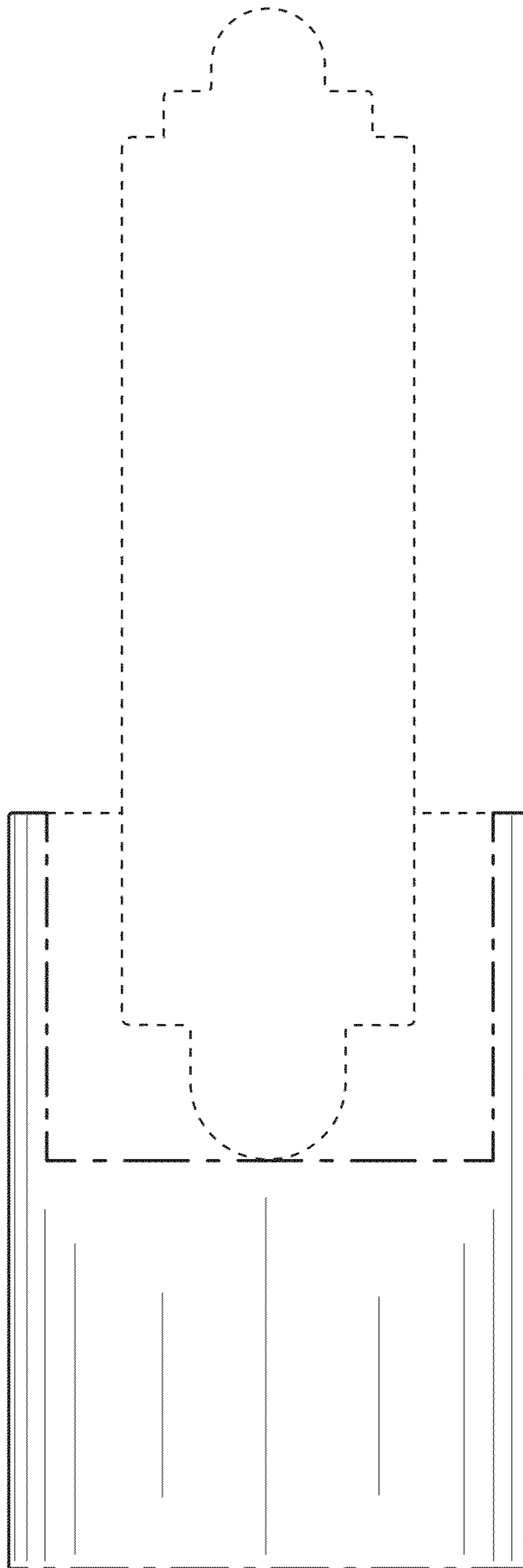




FIG. 8

