



US00D727997S

(12) **United States Design Patent**
Utsunomiya et al.

(10) **Patent No.:** **US D727,997 S**
(45) **Date of Patent:** **** Apr. 28, 2015**

(54) **PROJECTOR**

(71) Applicant: **NEC Display Solutions, Ltd.**,
Minato-ku, Tokyo (JP)

(72) Inventors: **Motoyasu Utsunomiya**, Minato-ku (JP);
Yuichiro Nara, Minato-ku (JP);
Takahisa Yamada, Minato-ku (JP);
Takuji Katsutani, Ota-ku (JP); **Naoki**
Kato, Ota-ku (JP); **Yoshinao Segawa**,
Ota-ku (JP)

(73) Assignee: **NEC Display Solutions, Ltd.**, Tokyo
(JP)

(**) Term: **14 Years**

(21) Appl. No.: **29/488,255**

(22) Filed: **Apr. 17, 2014**

(51) **LOC (10) Cl.** **16-02**

(52) **U.S. Cl.**
USPC **D16/230**

(58) **Field of Classification Search**
USPC D16/221, 225, 230–231, 234; D21/514;
353/88, 115, 119, 122
See application file for complete search history.

(56) **References Cited**

U.S. PATENT DOCUMENTS

D565,630 S * 4/2008 Morishita D16/230
D631,904 S * 2/2011 Kim et al. D16/230
8,398,250 B2 * 3/2013 Adachi et al. 353/119
D680,150 S * 4/2013 Kawaguchi et al. D16/230

* cited by examiner

Primary Examiner — Wan Laymon

(74) *Attorney, Agent, or Firm* — Sughrue Mion, PLLC

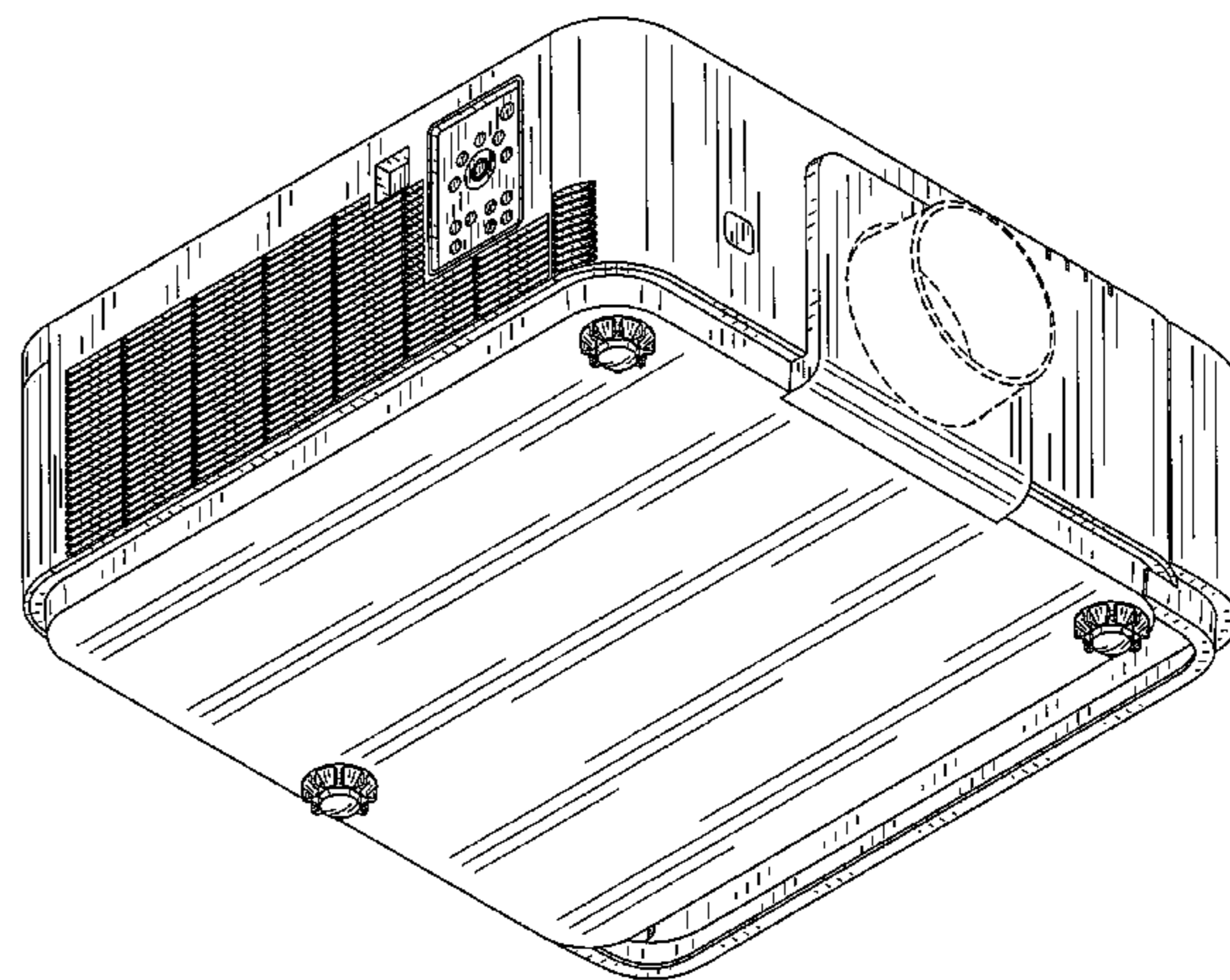
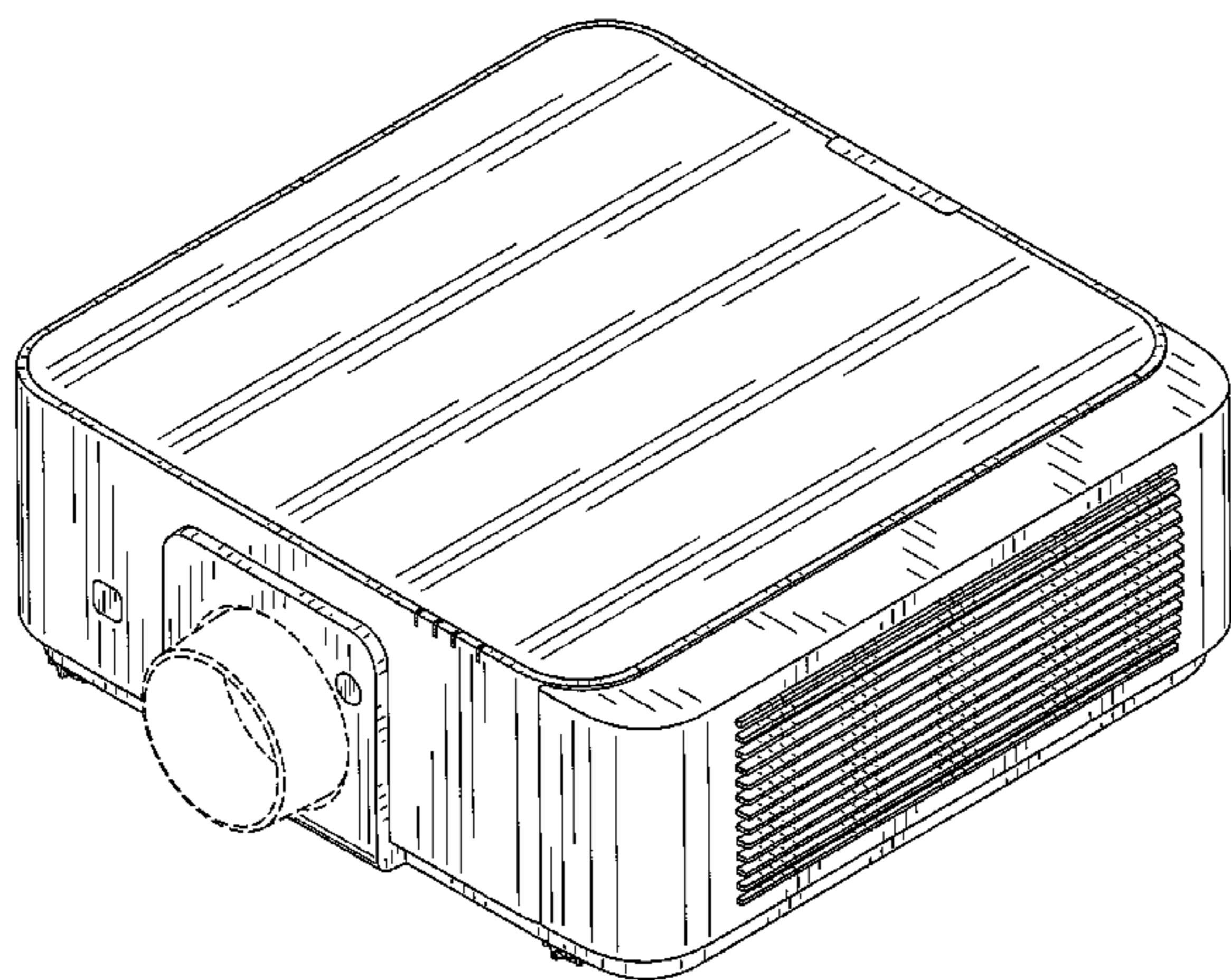
(57) **CLAIM**

The ornamental design for a projector, as shown and described.

DESCRIPTION

FIG. 1 is a front, right side, top perspective view of a projector showing our new design;
FIG. 2 is a front, left side, bottom perspective view thereof;
FIG. 3 is a front elevational view thereof;
FIG. 4 is a rear elevational view thereof;
FIG. 5 is a left side view thereof;
FIG. 6 is a right side view thereof;
FIG. 7 is a top plan view thereof;
FIG. 8 is a bottom plan view thereof;
FIG. 9 is a reference perspective view 1 thereof, showing a state in which a cover part is detached;
FIG. 10 is a reference perspective view 2 thereof, showing a state in which the cover part is detached;
FIG. 11 is a reference front elevational view thereof, showing a state in which the cover part is detached; and,
FIG. 12 is a reference rear elevational view thereof, showing a state in which the cover part is detached.
The portions in broken lines are shown for illustrative purposes only and form no part of the claimed design.

1 Claim, 9 Drawing Sheets



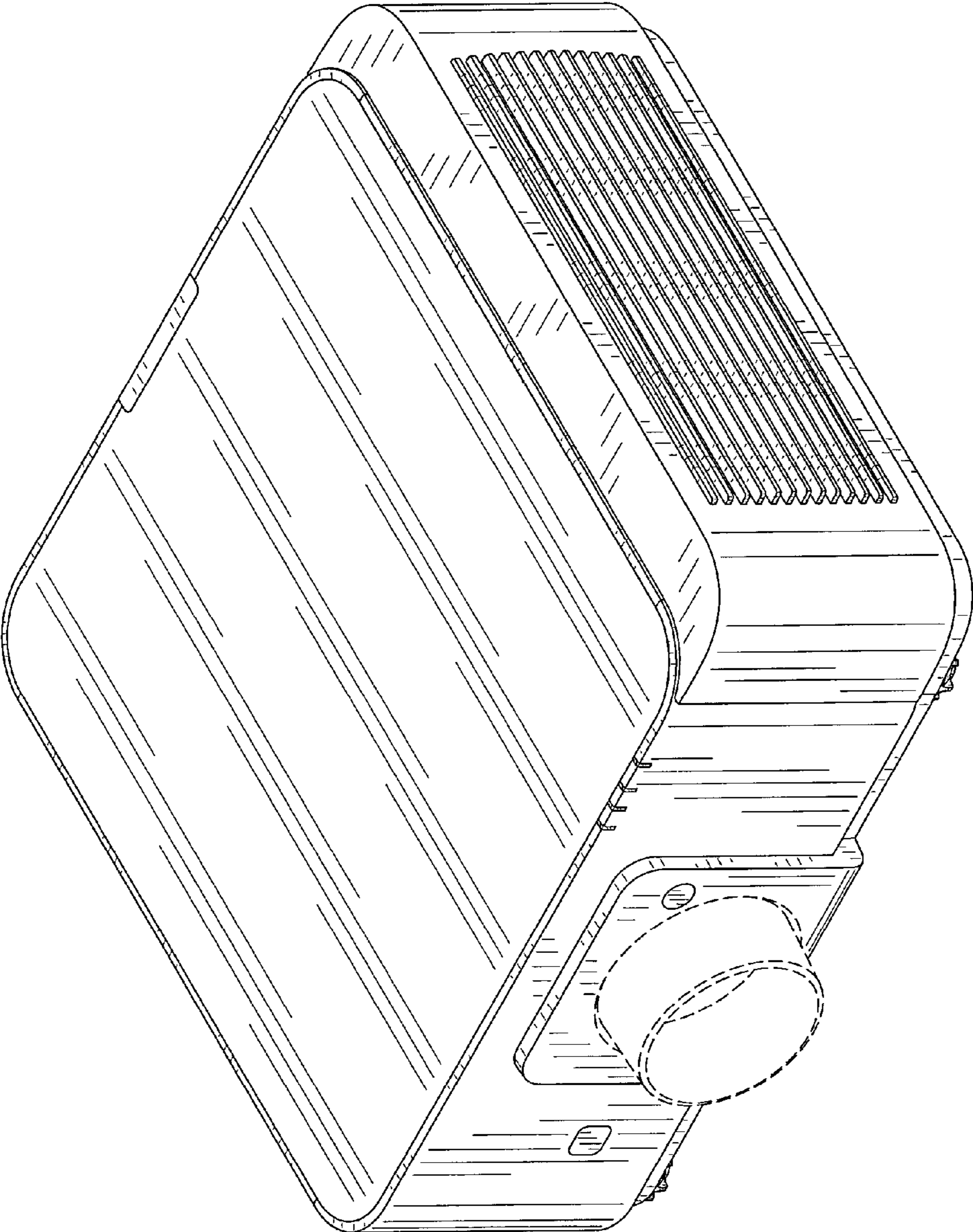


FIG. 1

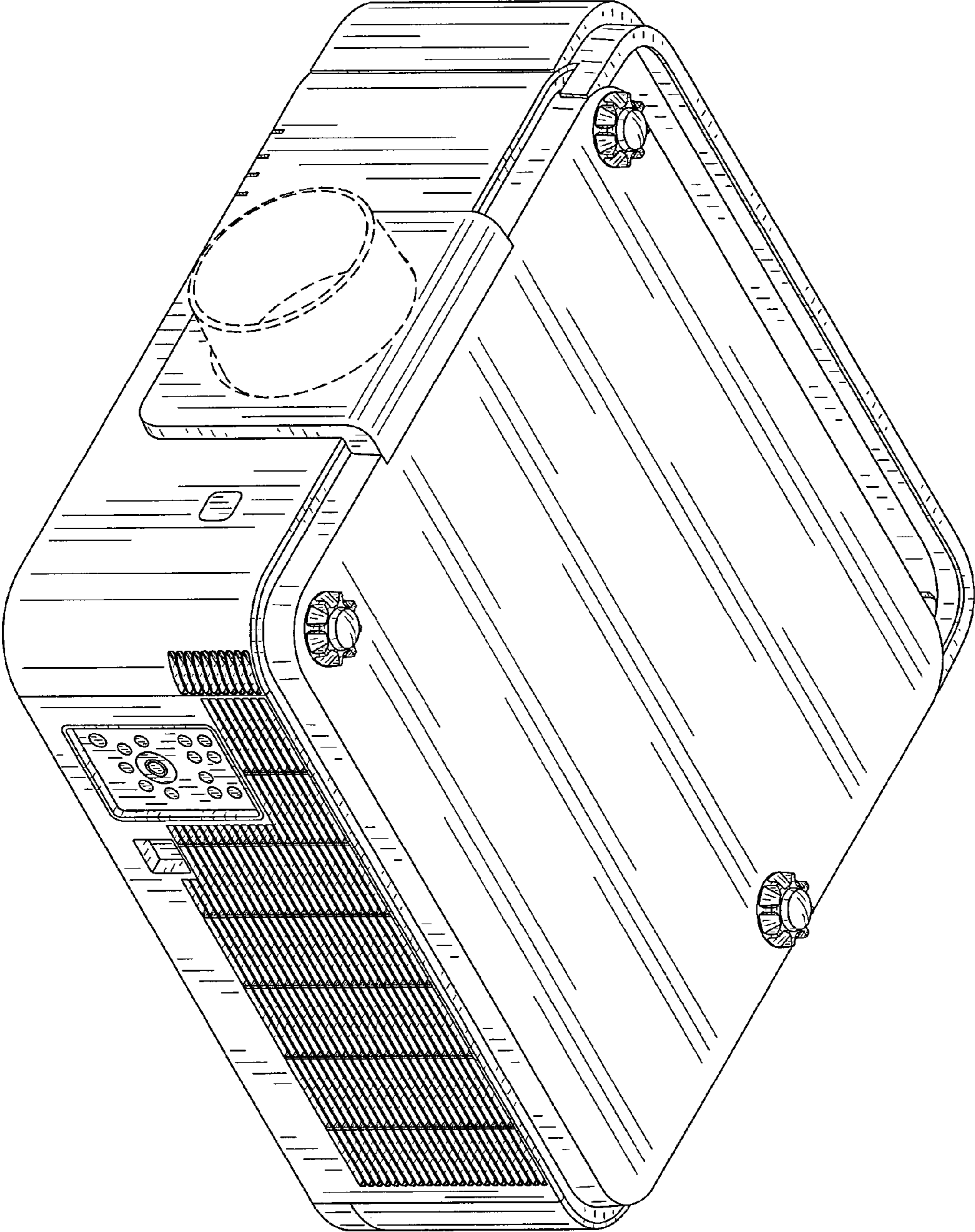


FIG. 2

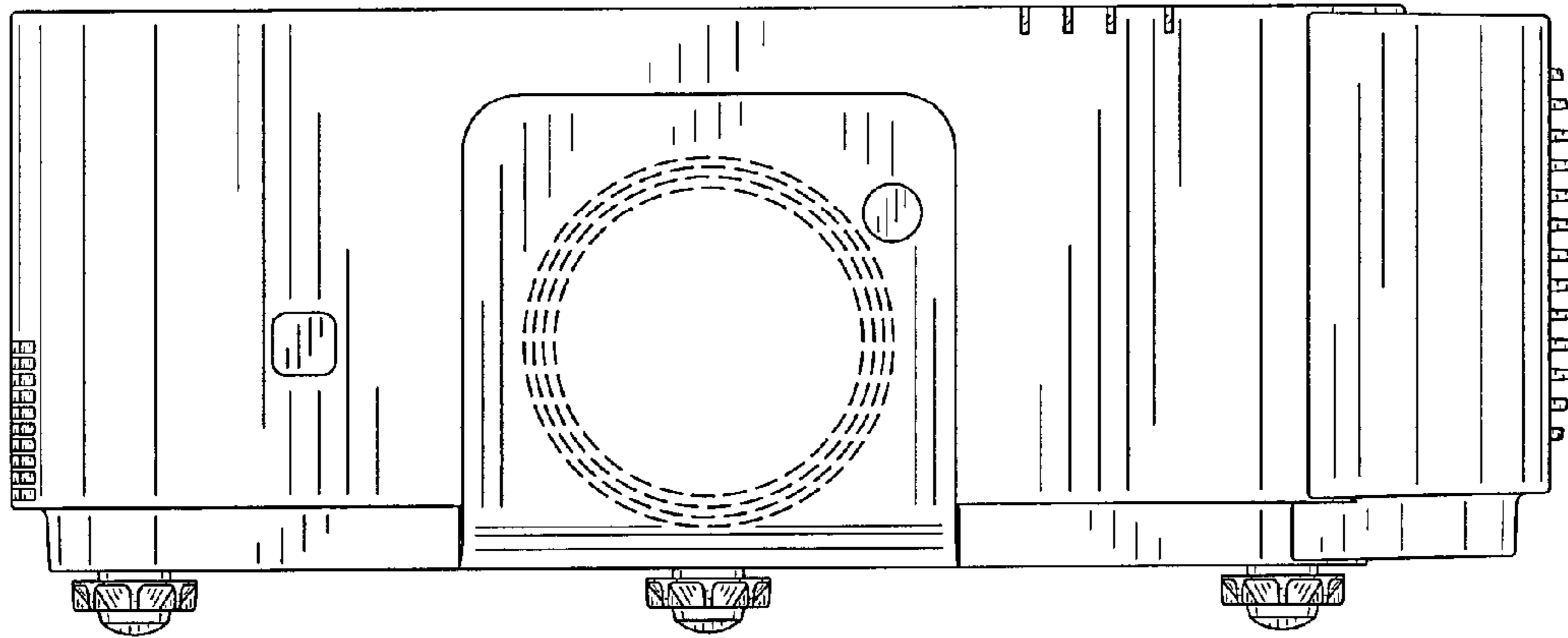


FIG. 3

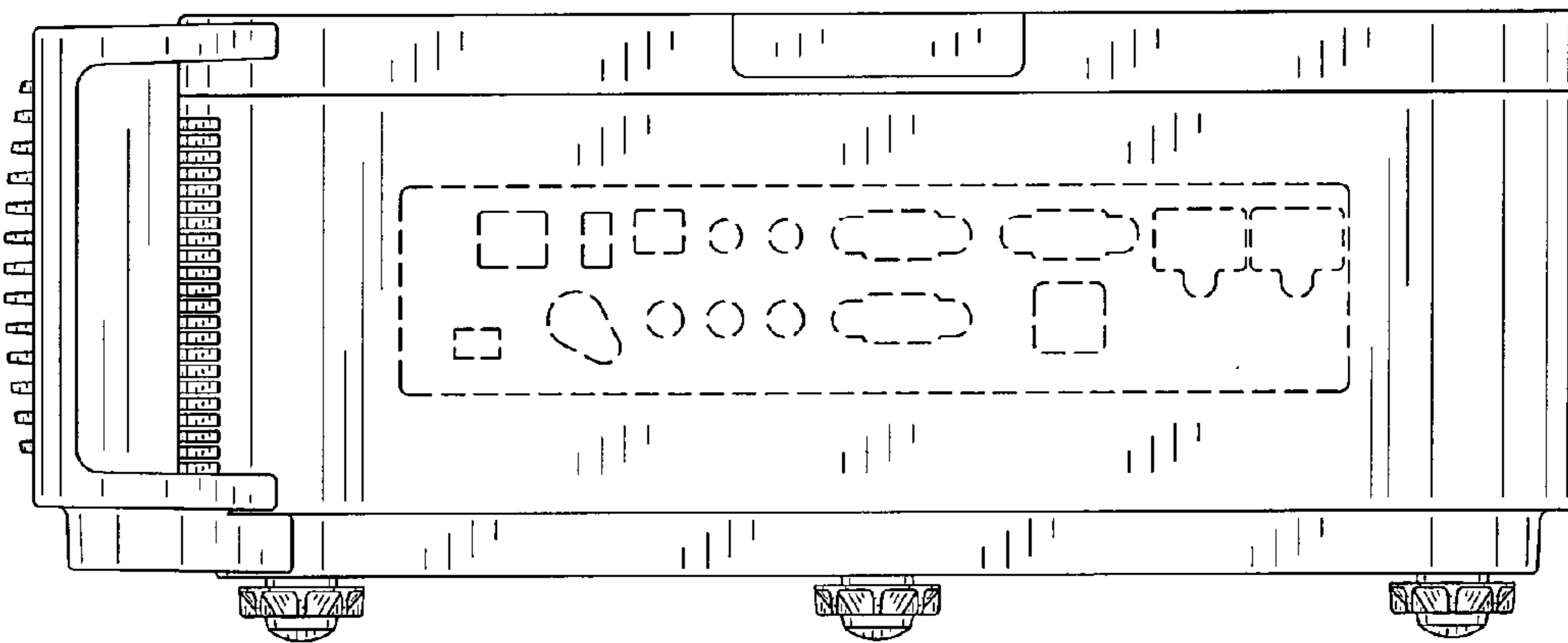


FIG. 4

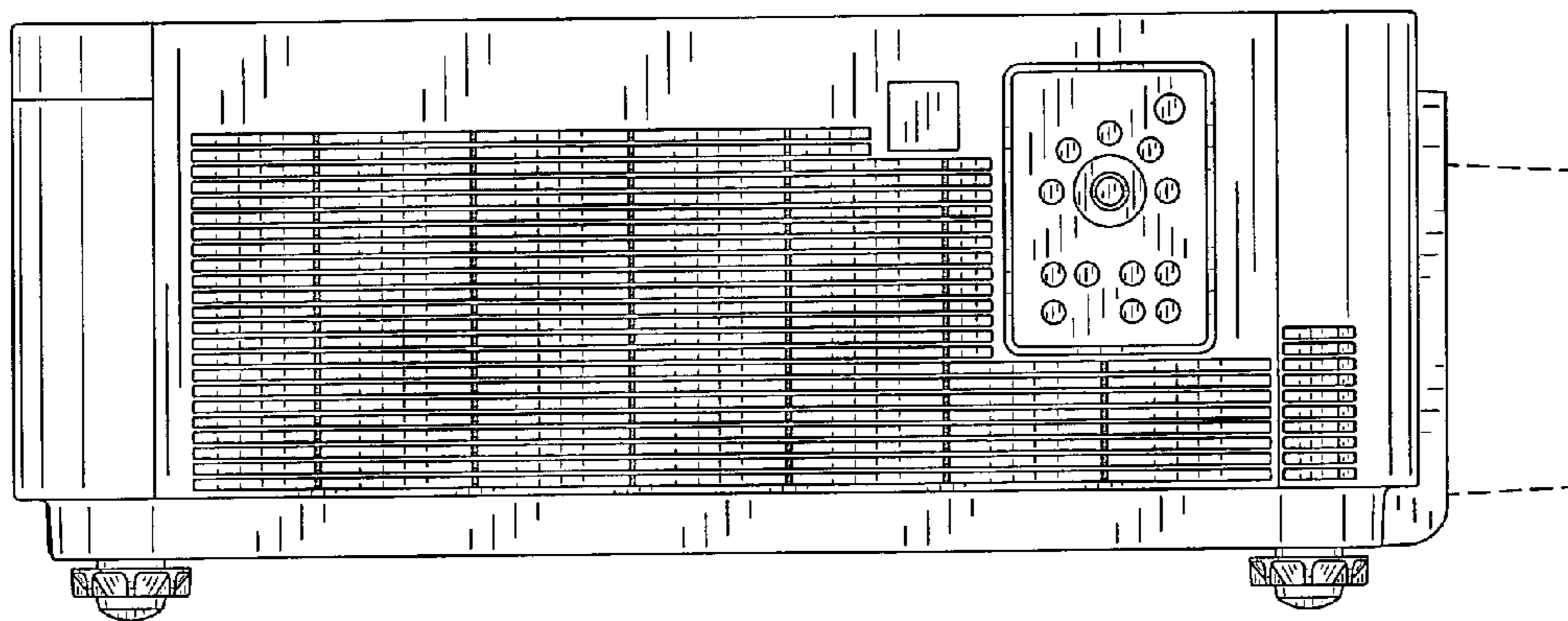


FIG. 5

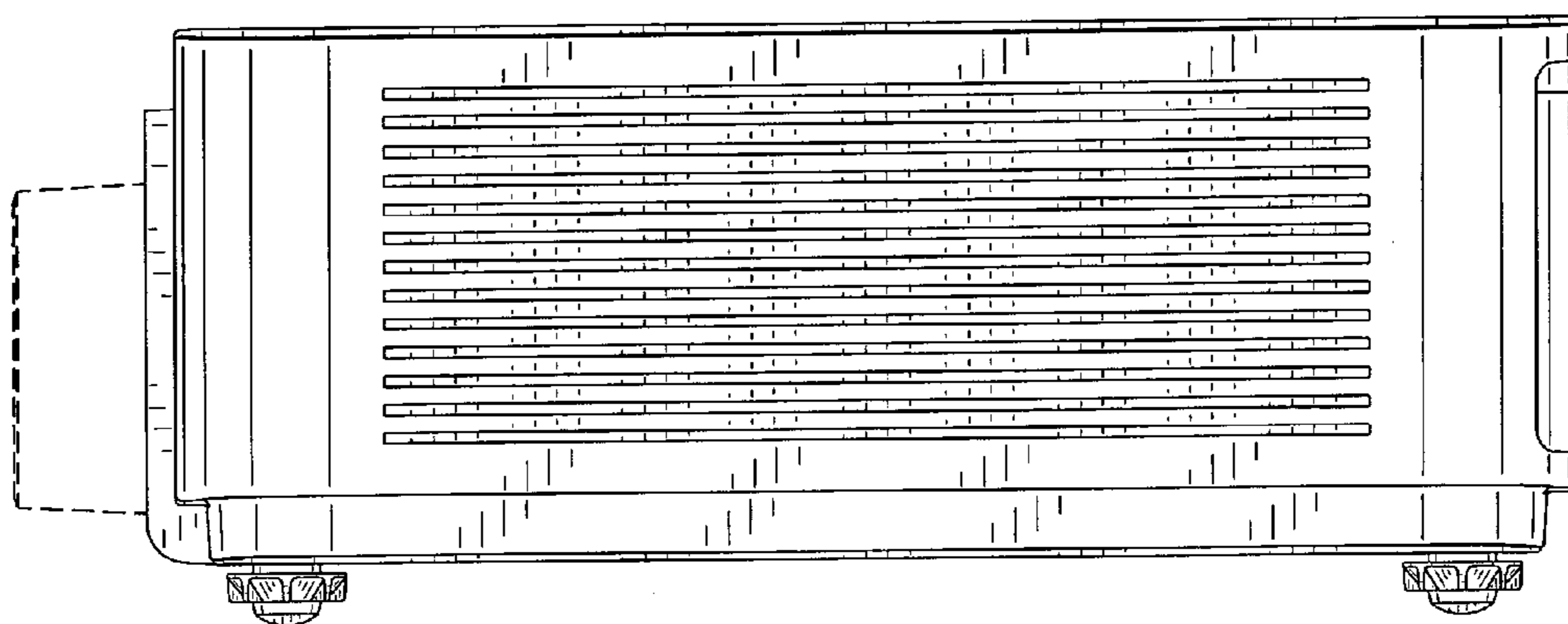


FIG. 6

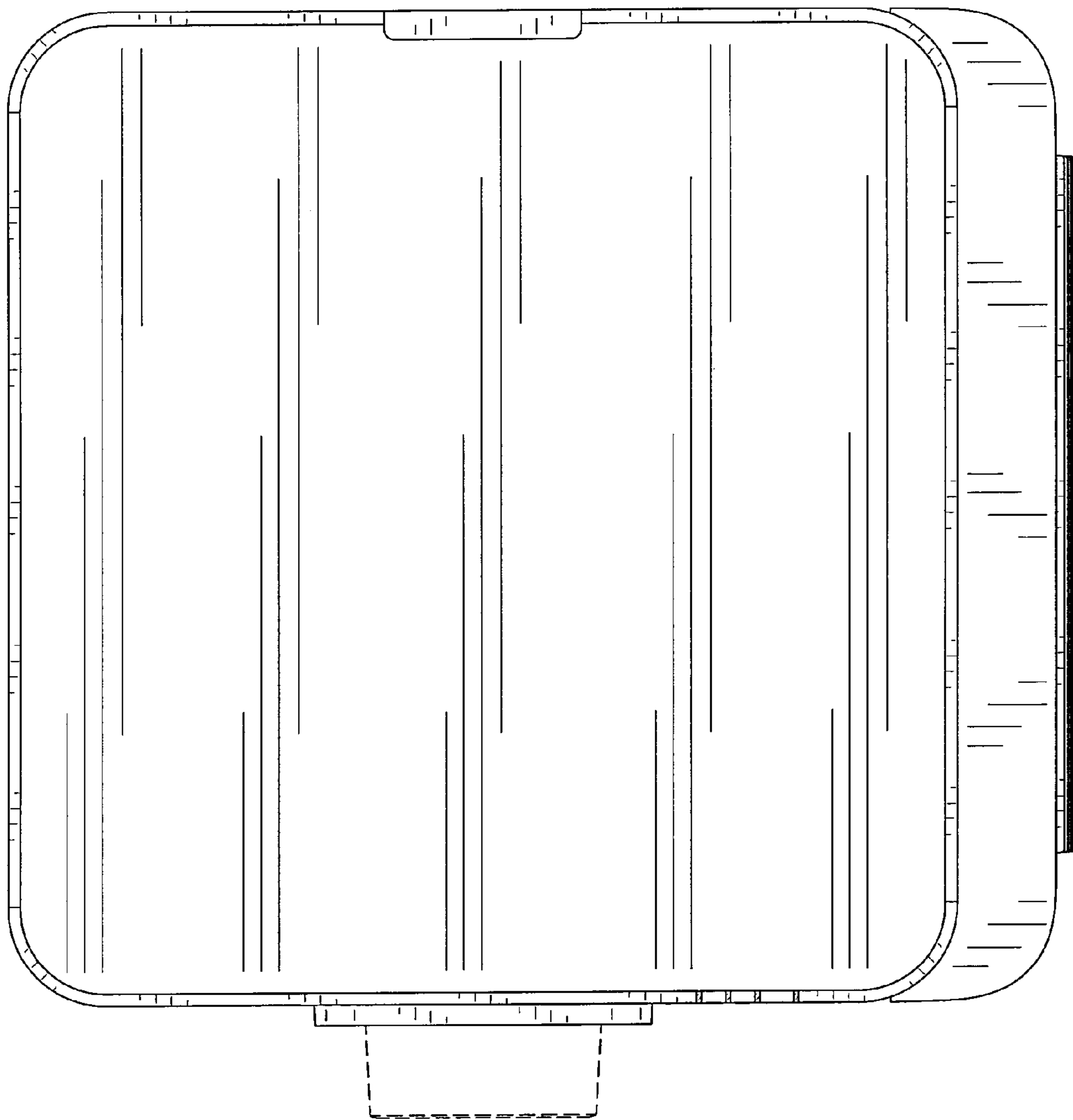


FIG. 7

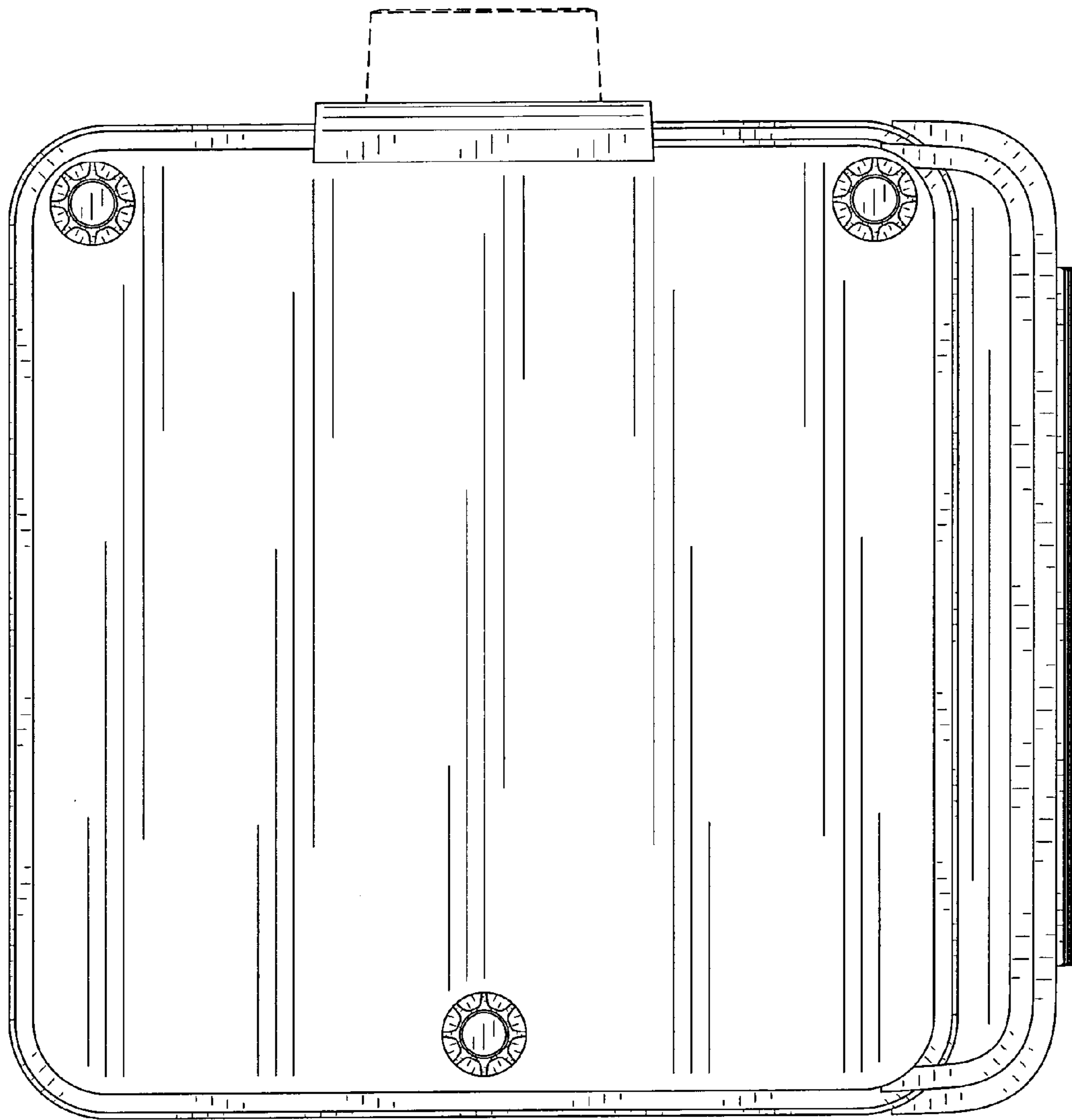


FIG. 8

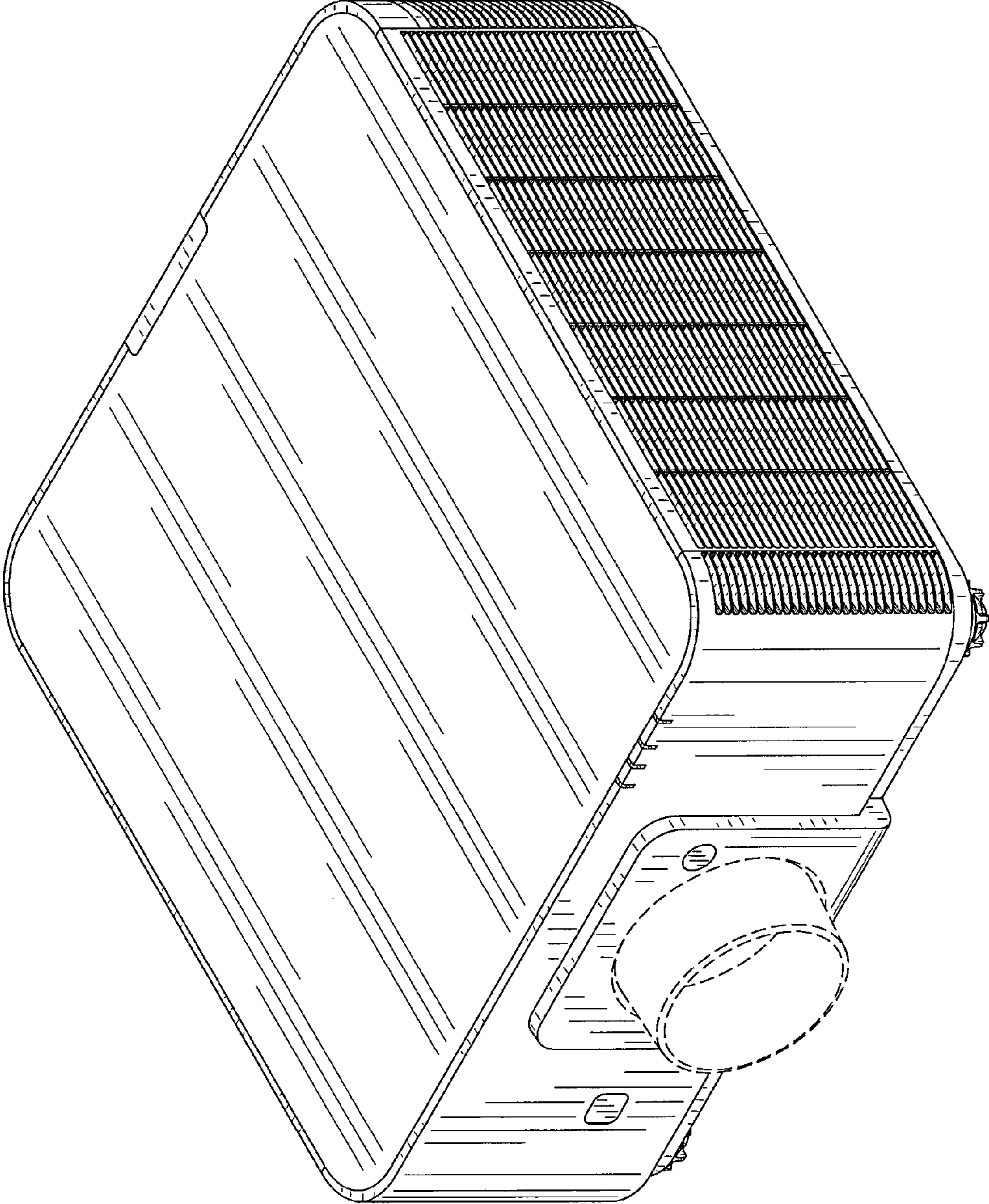


FIG. 9

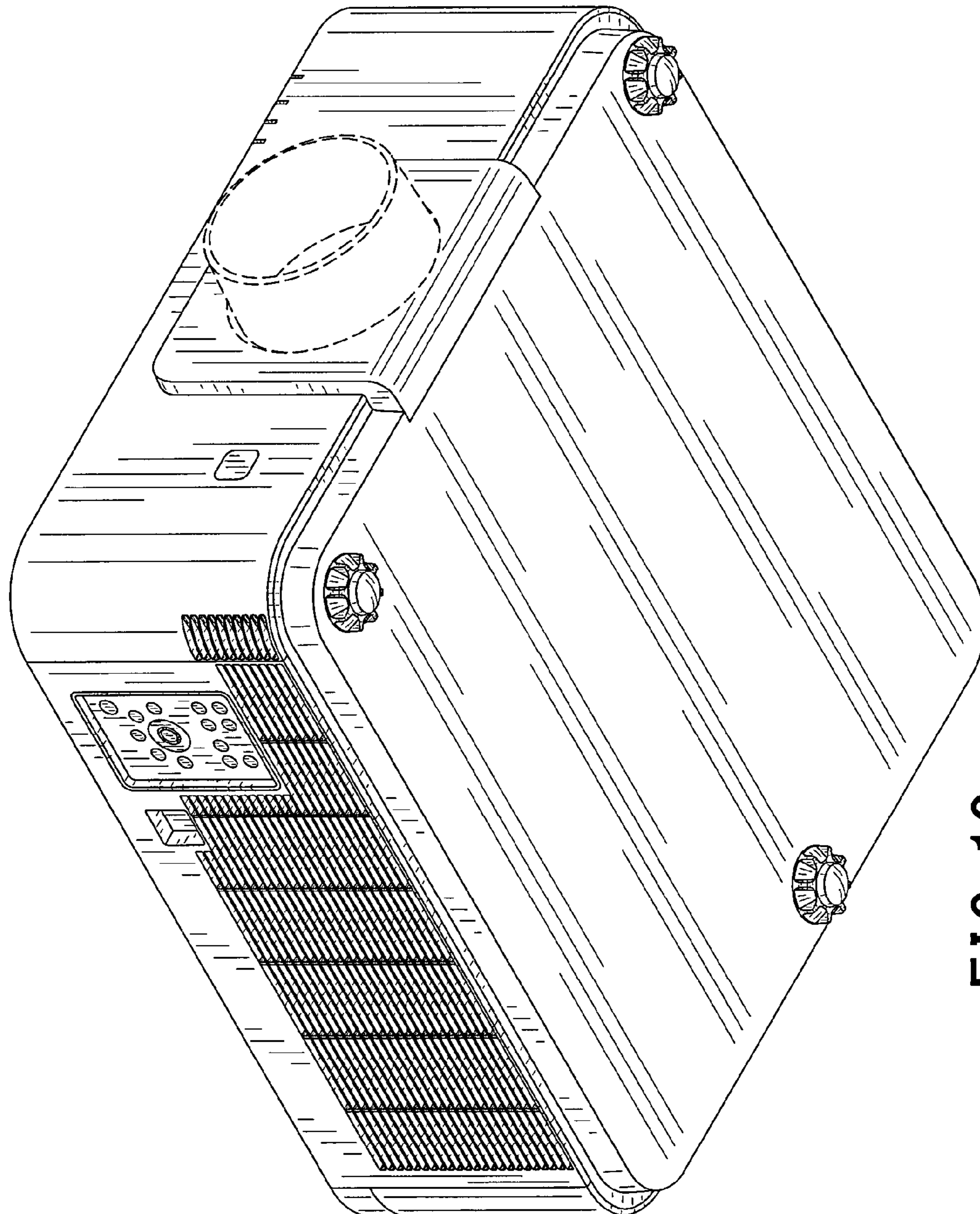


FIG. 10

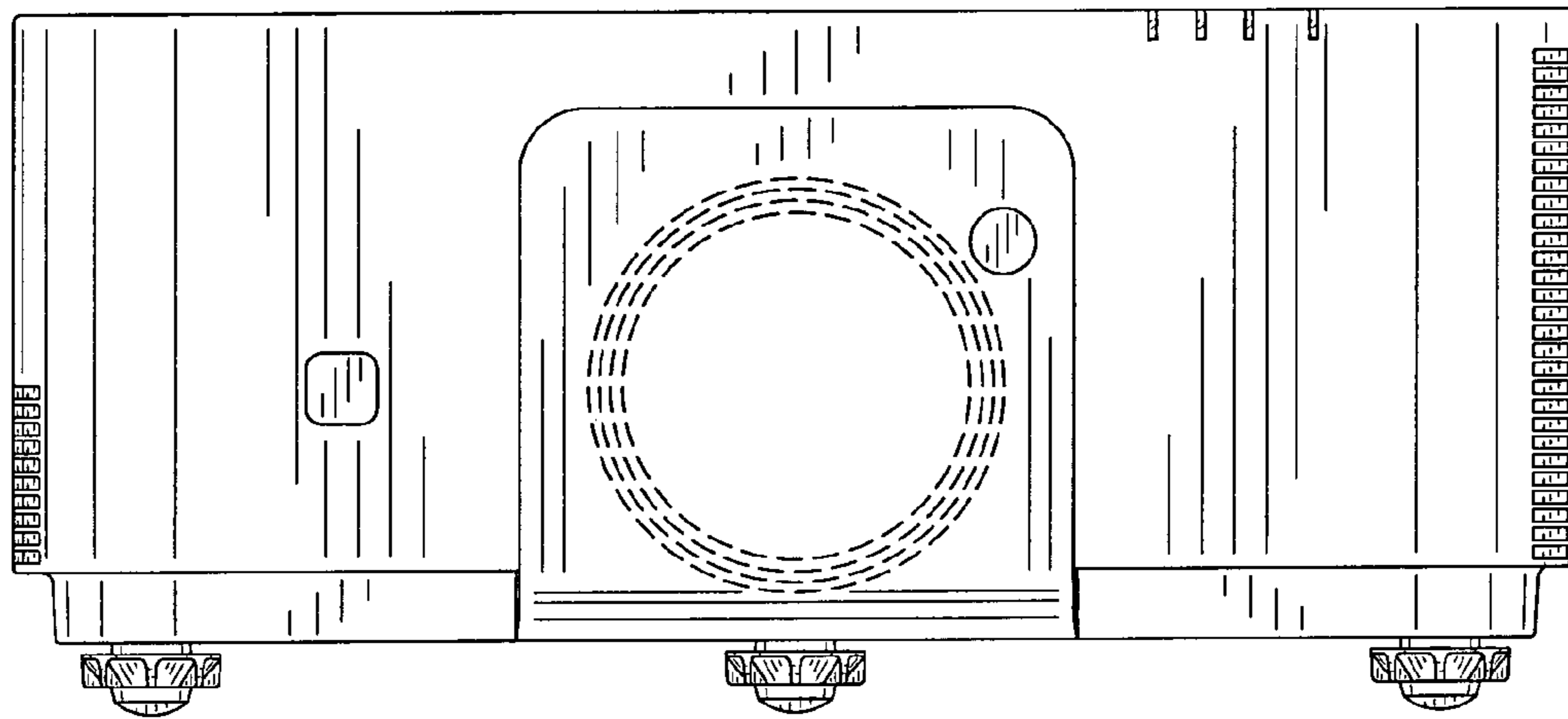


FIG. 11

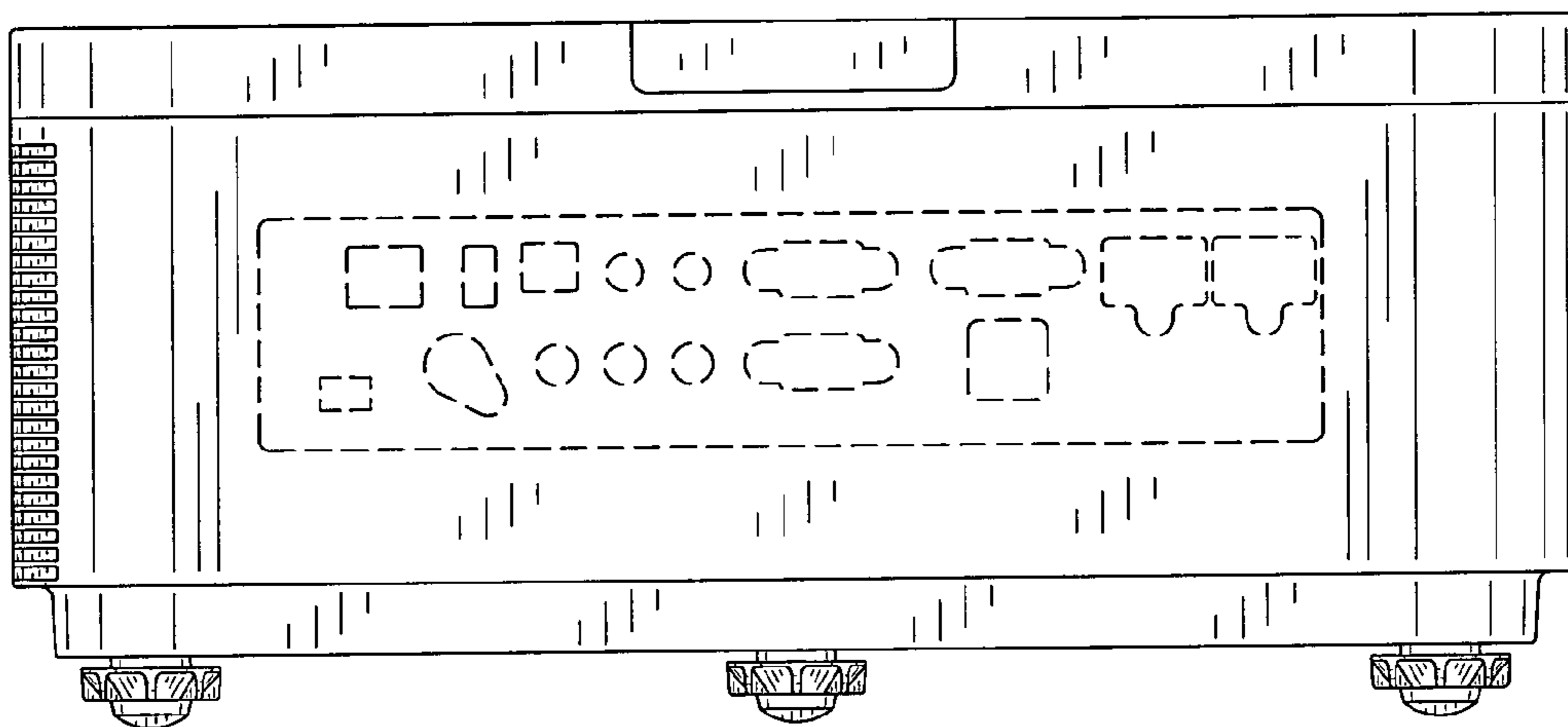


FIG. 12