



US00D727996S

(12) **United States Design Patent**
Ogawa et al.

(10) **Patent No.:** **US D727,996 S**

(45) **Date of Patent:** **** Apr. 28, 2015**

(54) **PROJECTOR**

(71) Applicant: **NEC Display Solutions, Ltd.**, Tokyo (JP)
(72) Inventors: **Susumu Ogawa**, Tokyo (JP); **Takayuki Okamoto**, Tokyo (JP); **Takuji Katsutani**, Tokyo (JP); **Naoki Kato**, Tokyo (JP); **Tetsuya Nagata**, Tokyo (JP)

(73) Assignee: **NEC Display Solutions, Ltd.**, Tokyo (JP)

(**) Term: **14 Years**

(21) Appl. No.: **29/481,067**

(22) Filed: **Jan. 31, 2014**

(30) **Foreign Application Priority Data**
Aug. 1, 2013 (JP) 2013-017612
(51) **LOC (10) Cl.** **16-02**
(52) **U.S. Cl.**
USPC **D16/230**
(58) **Field of Classification Search**
USPC D16/221, 225, 230-231, 234; D21/514;
353/88, 115, 119, 122
See application file for complete search history.

(56)

References Cited

U.S. PATENT DOCUMENTS

D544,898 S *	6/2007	Kawabe et al.	D16/230
D555,185 S *	11/2007	Nozue et al.	D16/230
7,677,739 B2 *	3/2010	Kuroda	353/88
D654,944 S *	2/2012	Ogawa et al.	D16/230
D656,532 S *	3/2012	Ogawa et al.	D16/230
8,573,781 B2 *	11/2013	Koyama	353/119
D709,938 S *	7/2014	Okamoto et al.	D16/230

* cited by examiner

Primary Examiner — Wan Laymon

(74) *Attorney, Agent, or Firm* — Sughrue Mion, PLLC

(57)

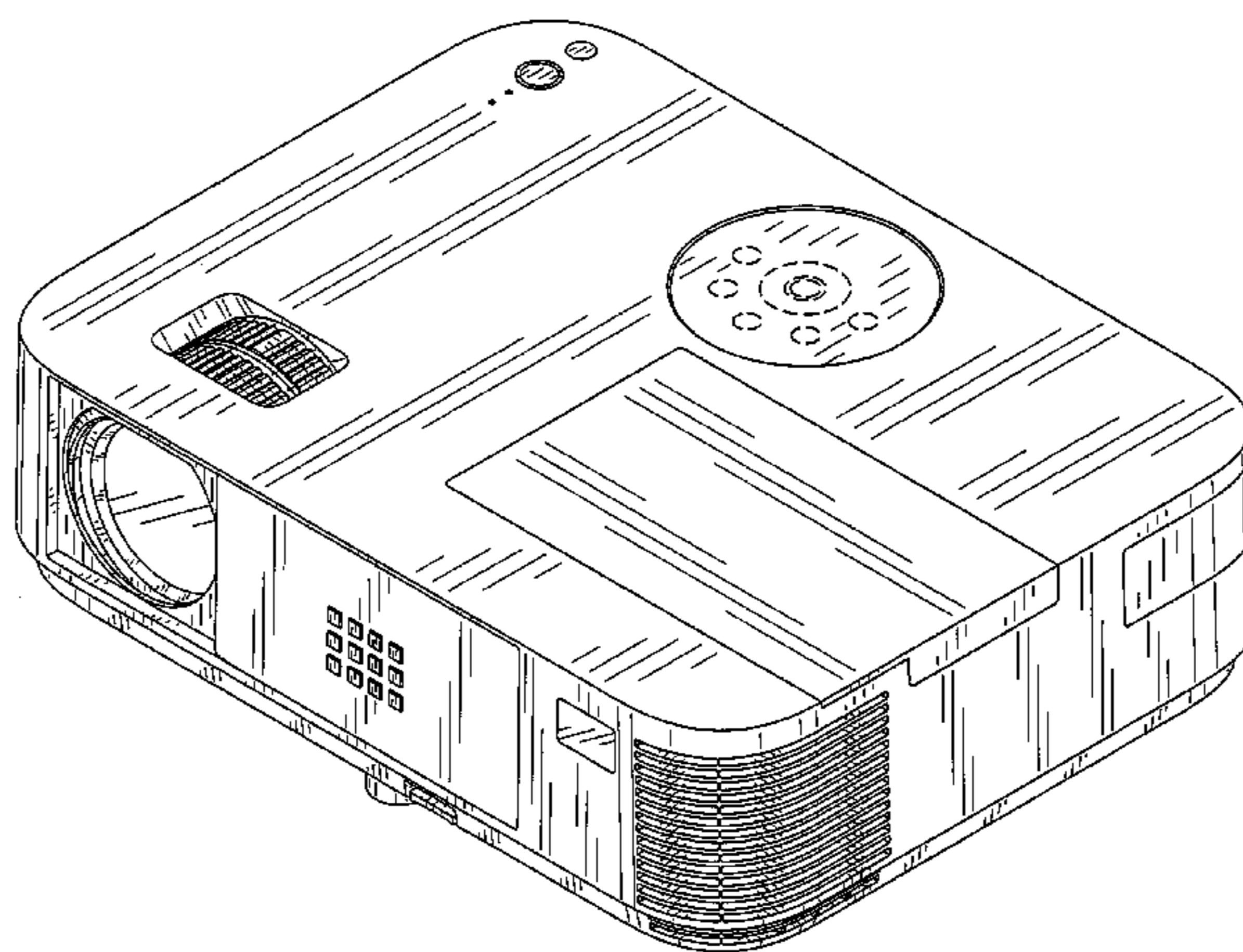
CLAIM

The ornamental design for a projector, as shown and described.

DESCRIPTION

FIG. 1 is a front, right side, top perspective view of a projector showing our new design;
FIG. 2 is a front elevational view thereof;
FIG. 3 is a rear elevational view thereof;
FIG. 4 is a left side view thereof;
FIG. 5 is a right side view thereof;
FIG. 6 is a top plan view thereof;
FIG. 7 is a bottom plan view thereof;
FIG. 8 is a perspective view thereof, showing a state in which a lens cover is closed; and,
FIG. 9 is a reference perspective view thereof, showing a state in which a cable cover is attached.
The portions in broken lines are shown for illustrative purposes only and form no part of the claimed design.

1 Claim, 9 Drawing Sheets



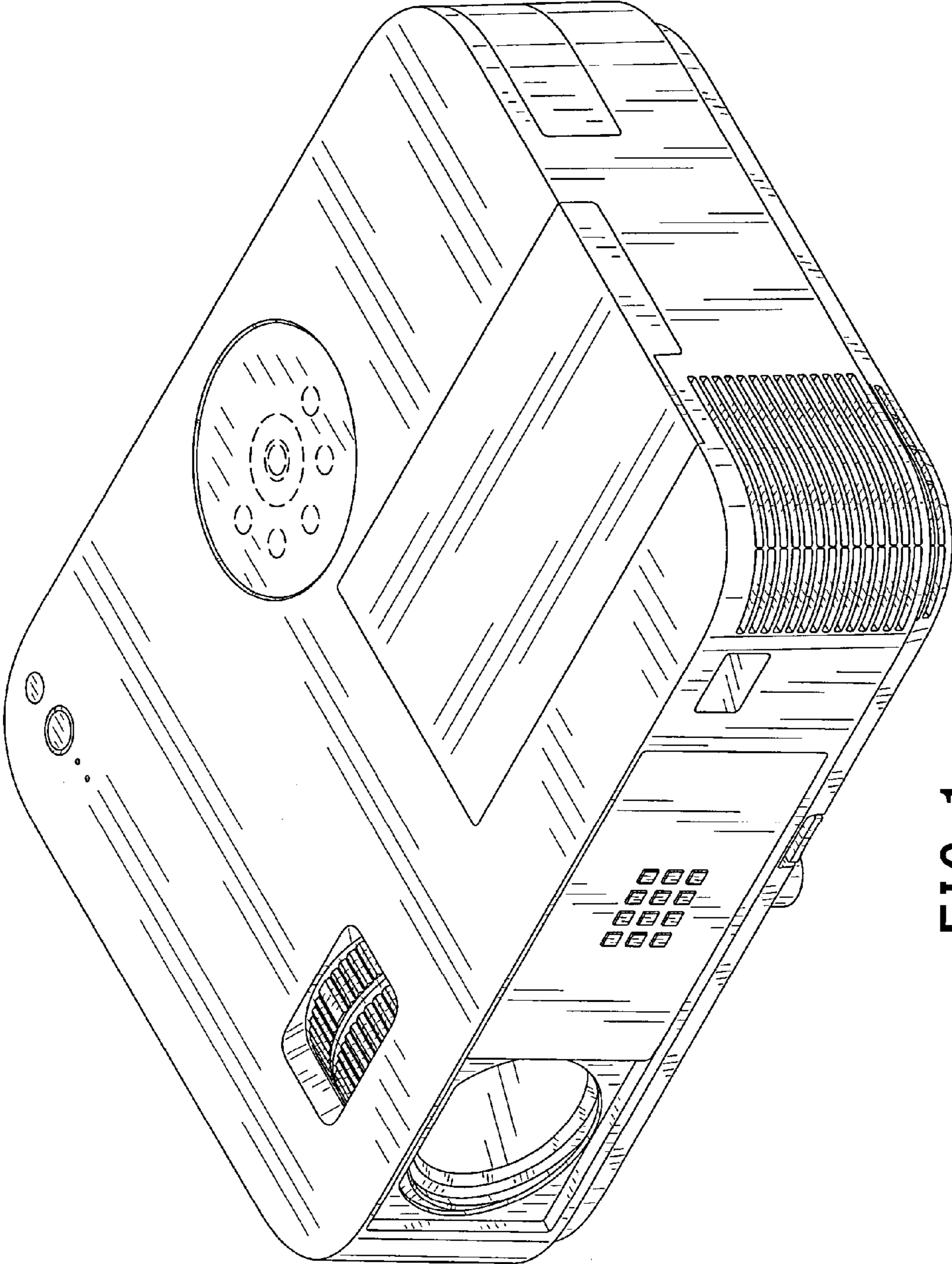


FIG. 1

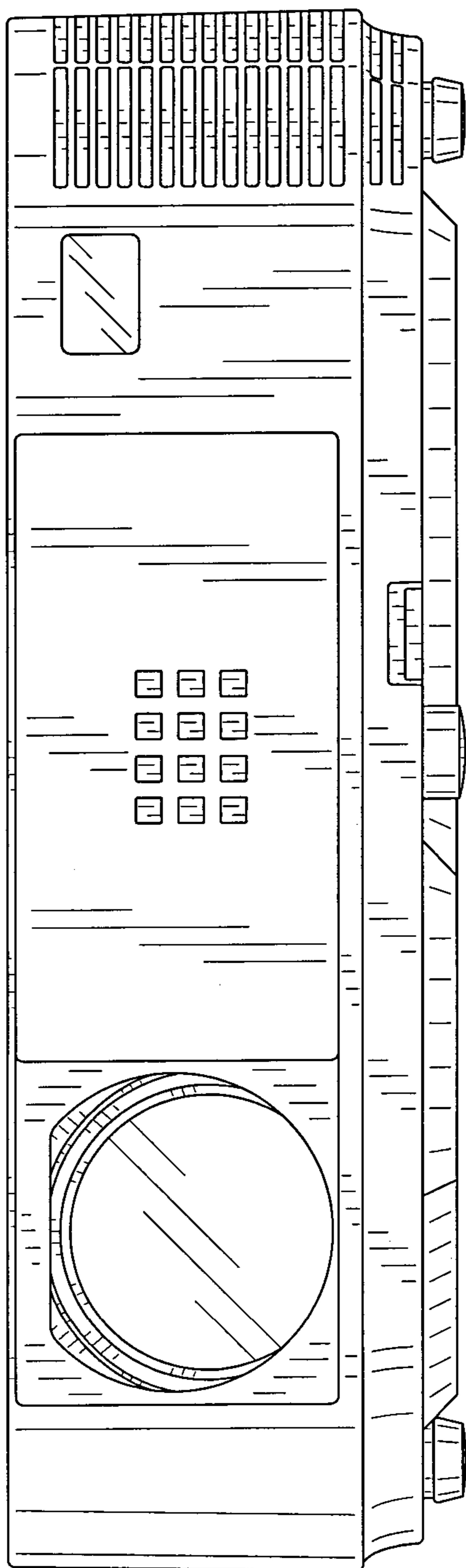


FIG. 2

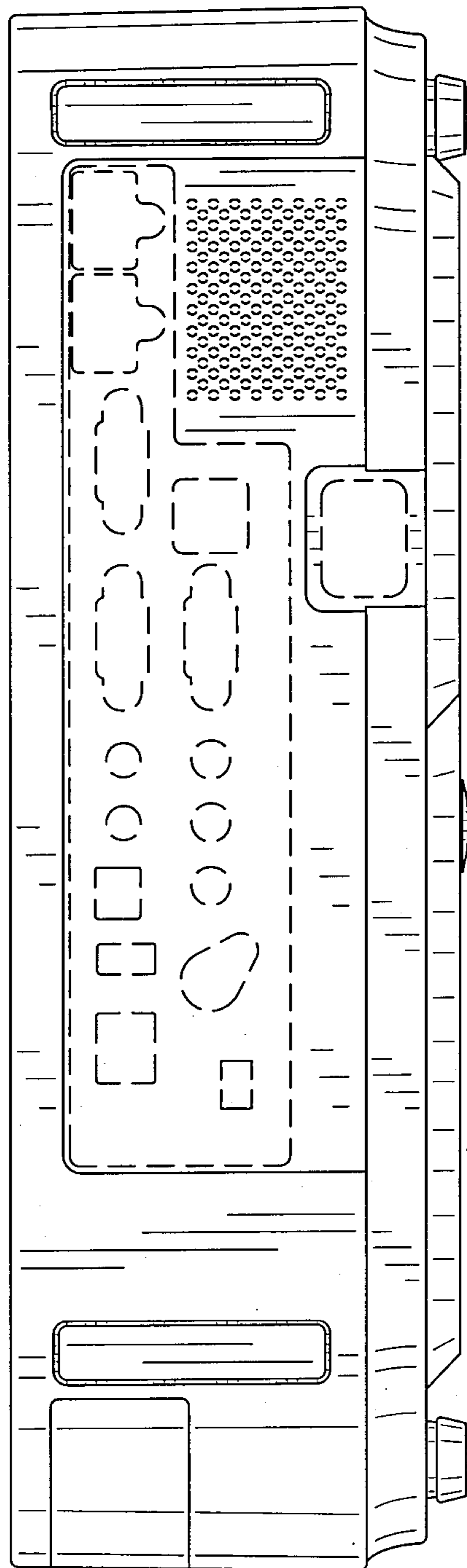


FIG. 3

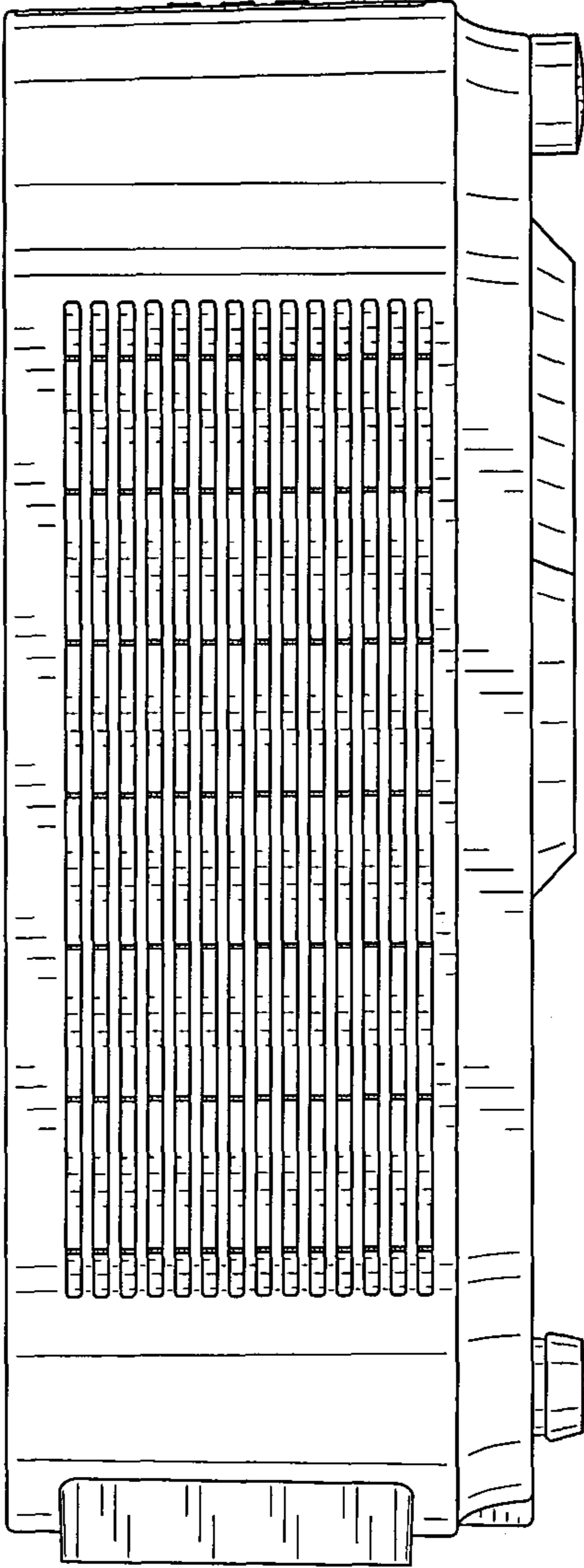


FIG. 4

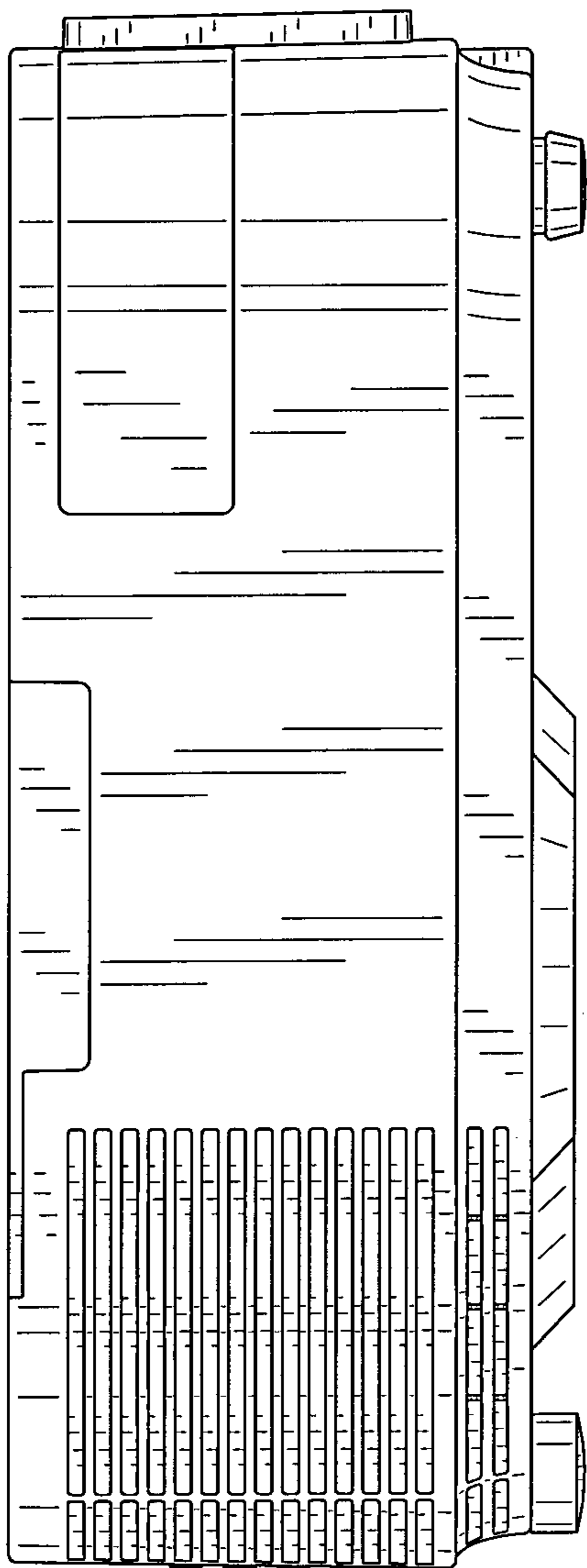


FIG. 5

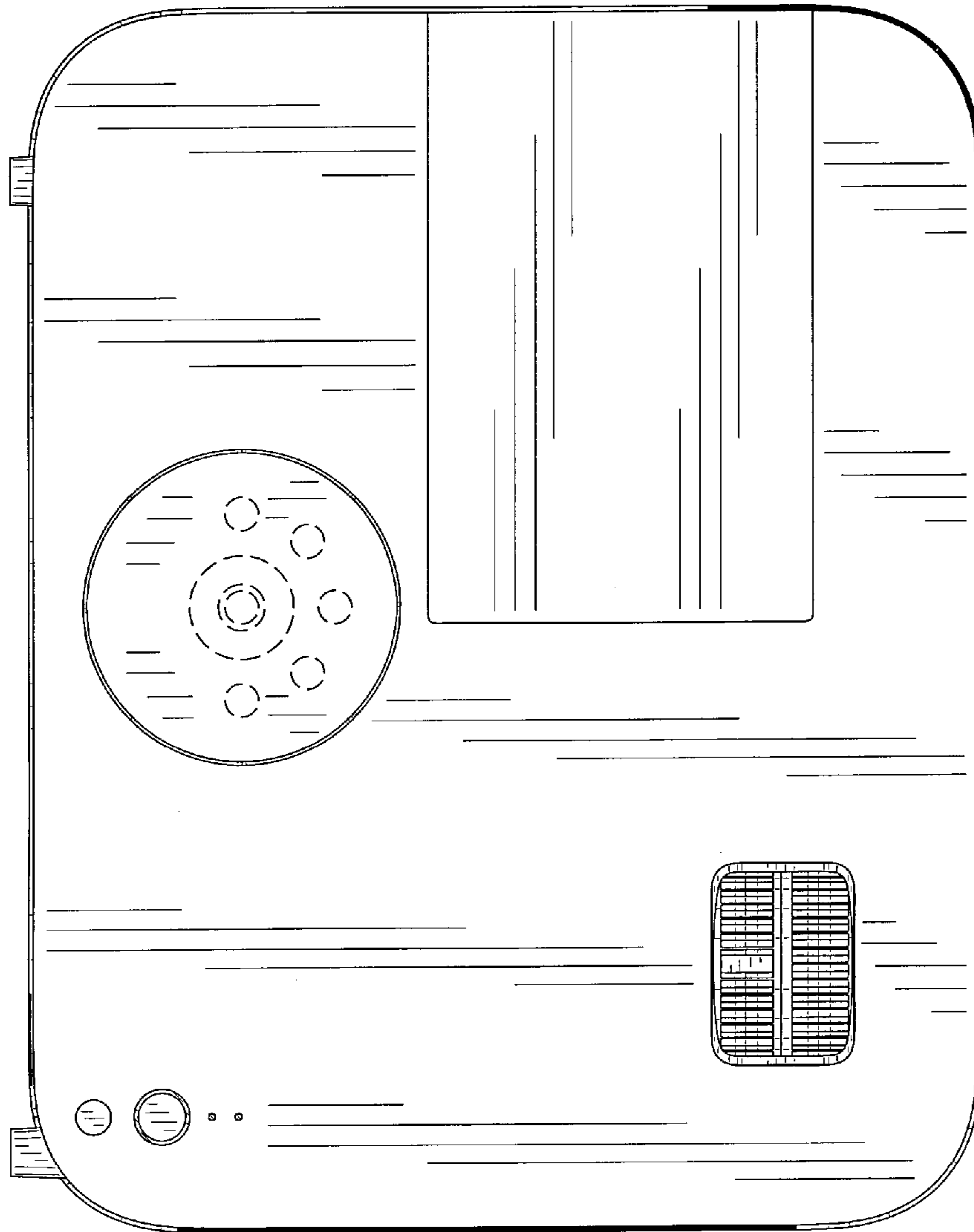


FIG. 6

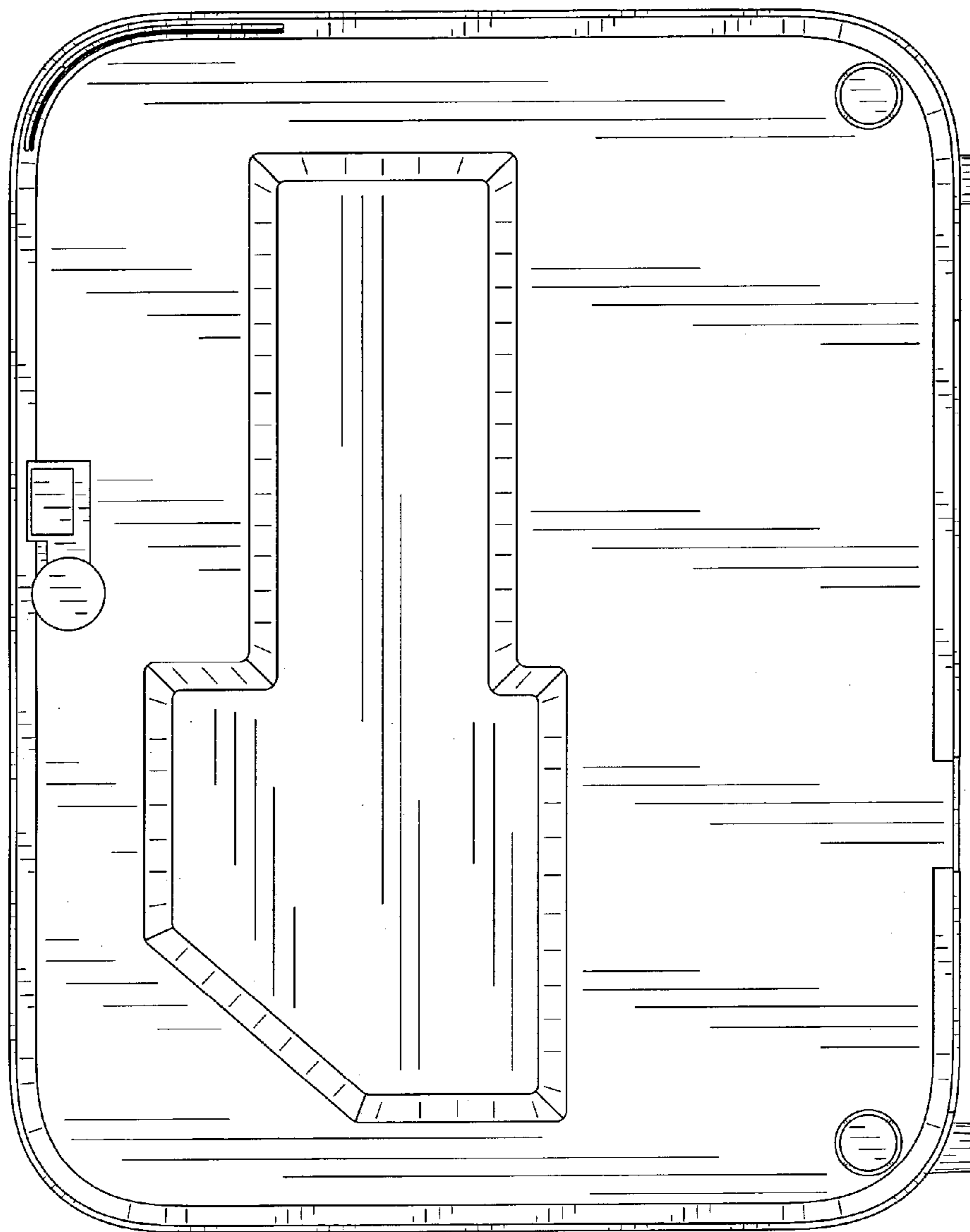


FIG. 7

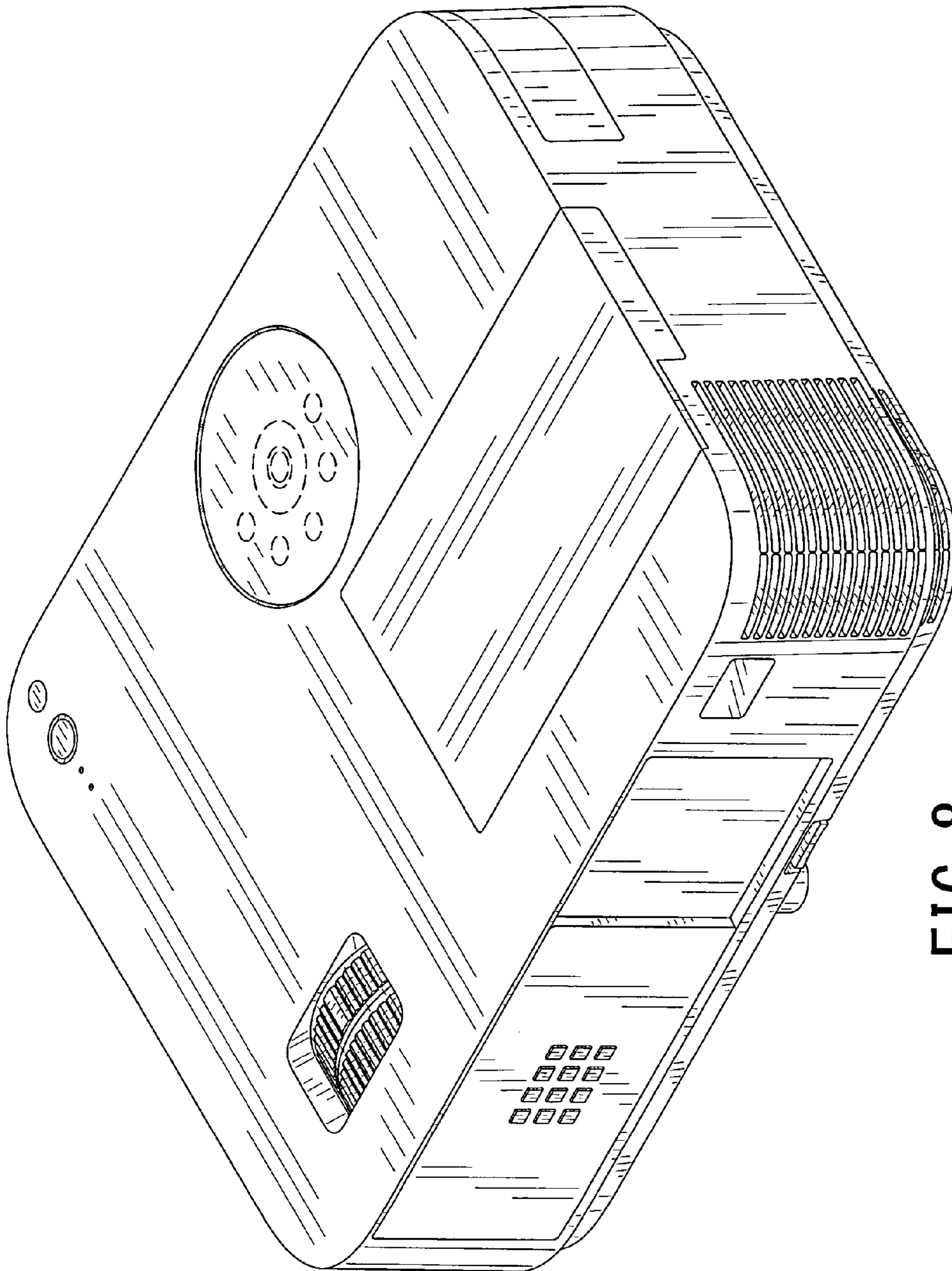


FIG. 8

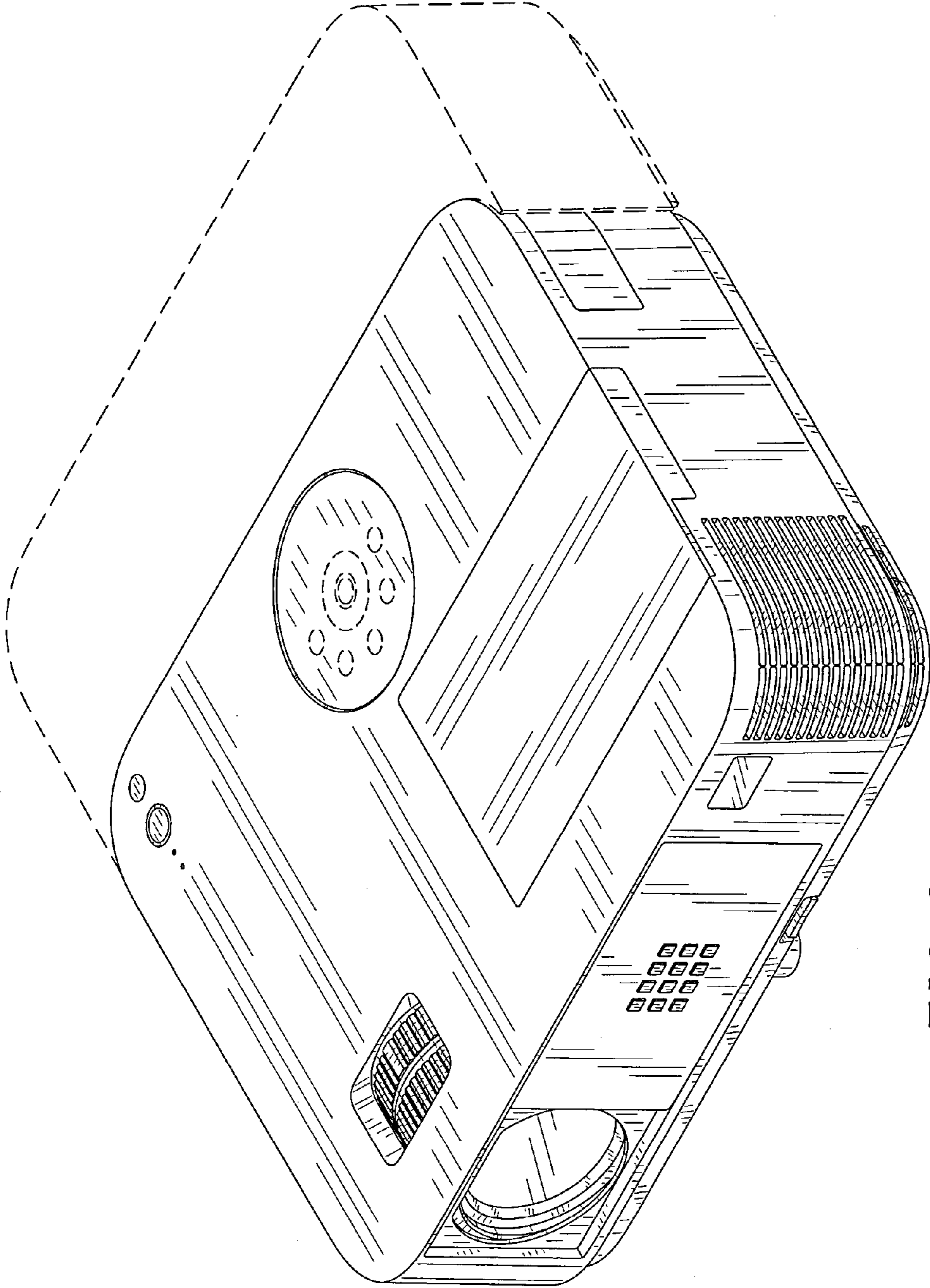


FIG. 9