



US00D727995S

(12) **United States Design Patent**
Vilcovsky

(10) **Patent No.:** **US D727,995 S**
(45) **Date of Patent:** **** Apr. 28, 2015**

(54) **PORTRAIT FLAT PANEL DISPLAY**

(71) Applicant: **Nissi Vilcovsky**, Tokyo (JP)
(72) Inventor: **Nissi Vilcovsky**, Tokyo (JP)
(73) Assignee: **Eyematch Ltd**, Road Town, Tortola (VG)

(**) Term: **14 Years**

(21) Appl. No.: **29/478,626**

(22) Filed: **Jan. 7, 2014**

(51) **LOC (10) Cl.** **16-02**

(52) **U.S. Cl.**
USPC **D16/221; D6/310**

(58) **Field of Classification Search**
USPC D16/221, 225, 228–234; D21/514, 329, D21/515; D14/127–129; D20/10, 19; D6/300, 308, 310, 675; 348/14.07, 348/739, 744; 353/20, 30, 79, 46, 115, 119, 353/122

See application file for complete search history.

(56) **References Cited**

U.S. PATENT DOCUMENTS

D188,772 S *	9/1960	Pasternack	D16/225
D229,451 S *	11/1973	Cregar	D20/19
D317,681 S *	6/1991	Stewart et al.	D6/310
D392,686 S *	3/1998	Sarkisian et al.	D20/41
D559,577 S *	1/2008	Quinn	D6/397
D685,406 S *	7/2013	Cobian et al.	D16/221
2012/0314017 A1 *	12/2012	Gross	348/14.07
2014/0225977 A1 *	8/2014	Vilcovsky et al.	348/14.07

OTHER PUBLICATIONS

Vertical Flat Panel Display Floor Stand. [Retrieved on Nov. 19, 2014]. Retrieved from the Internet: <URL: http://www.google.com>.*

* cited by examiner

Primary Examiner — Wan Laymon

(74) *Attorney, Agent, or Firm* — Nixon Peabody LLP; Joseph Bach, Esq.

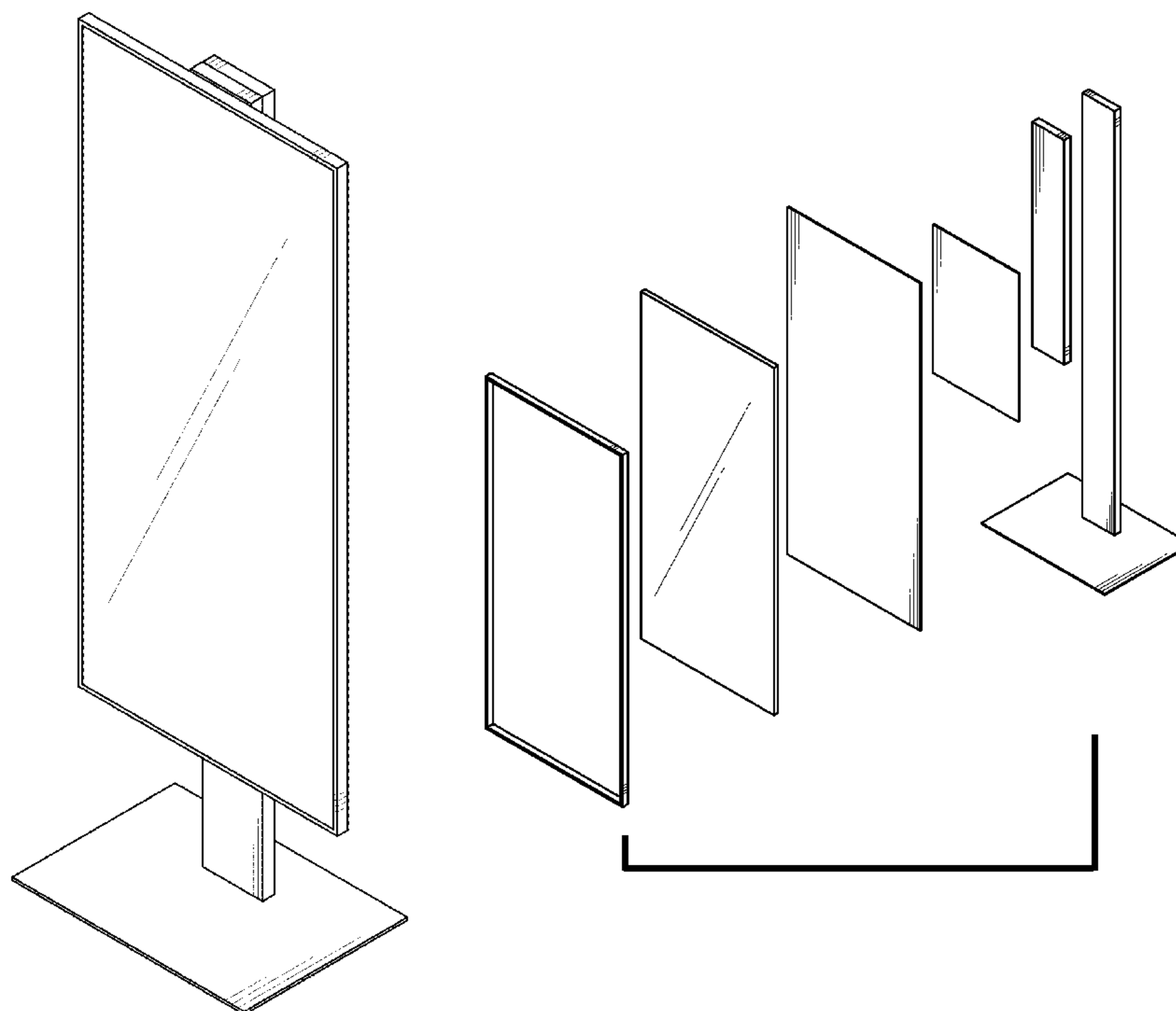
(57) **CLAIM**

The ornamental design for a portrait flat panel display, as shown and described.

DESCRIPTION

FIG. 1 is a front perspective view of a portrait flat panel display, showing my new design;
FIG. 2 is a back perspective view thereof;
FIG. 3 is a front view thereof;
FIG. 4 is a back view thereof;
FIG. 5 is a right side view (left side is mirror image) thereof;
FIG. 6 is a top view thereof;
FIG. 7 is a bottom view thereof;
FIG. 8 is a exploded frontal perspective view thereof;
FIG. 9 is a exploded back perspective view thereof;
FIG. 10 is a exploded right side view (exploded left side is mirror image) thereof; and,
FIG. 11 is a exploded top view thereof.

1 Claim, 10 Drawing Sheets



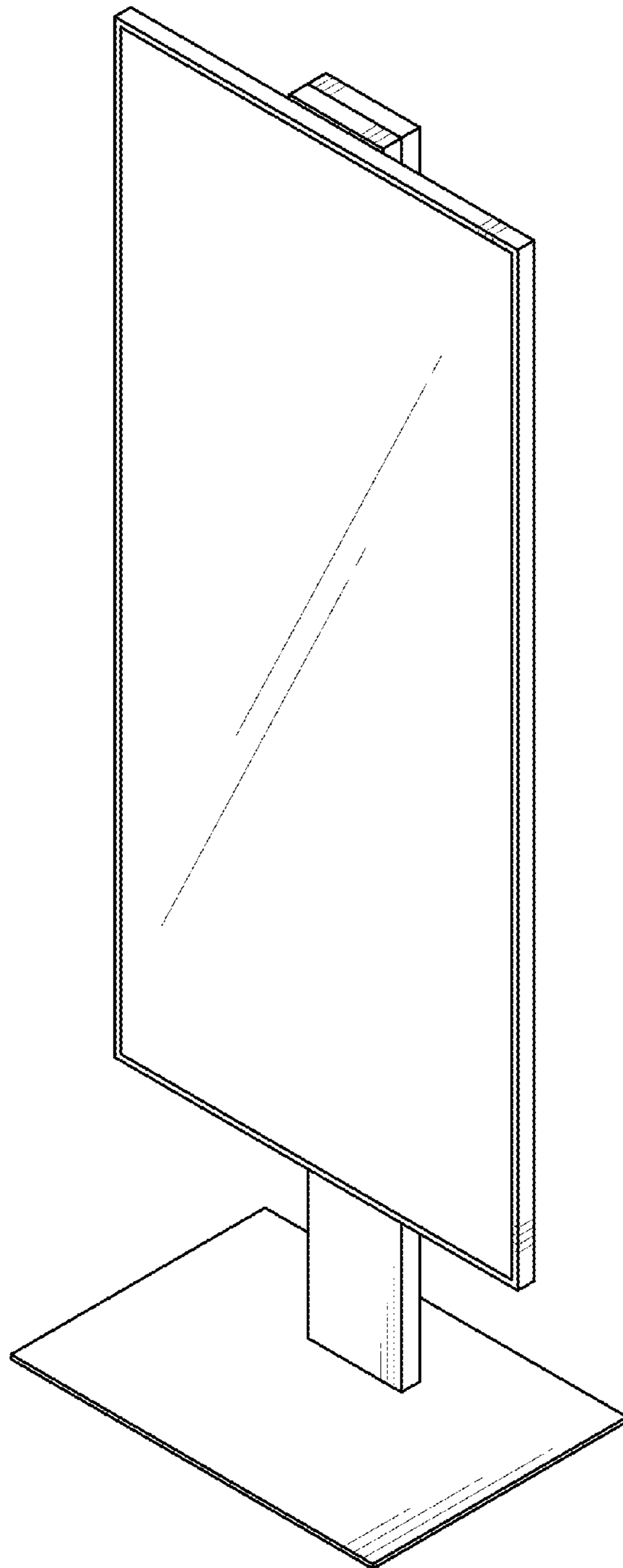


FIG. 1

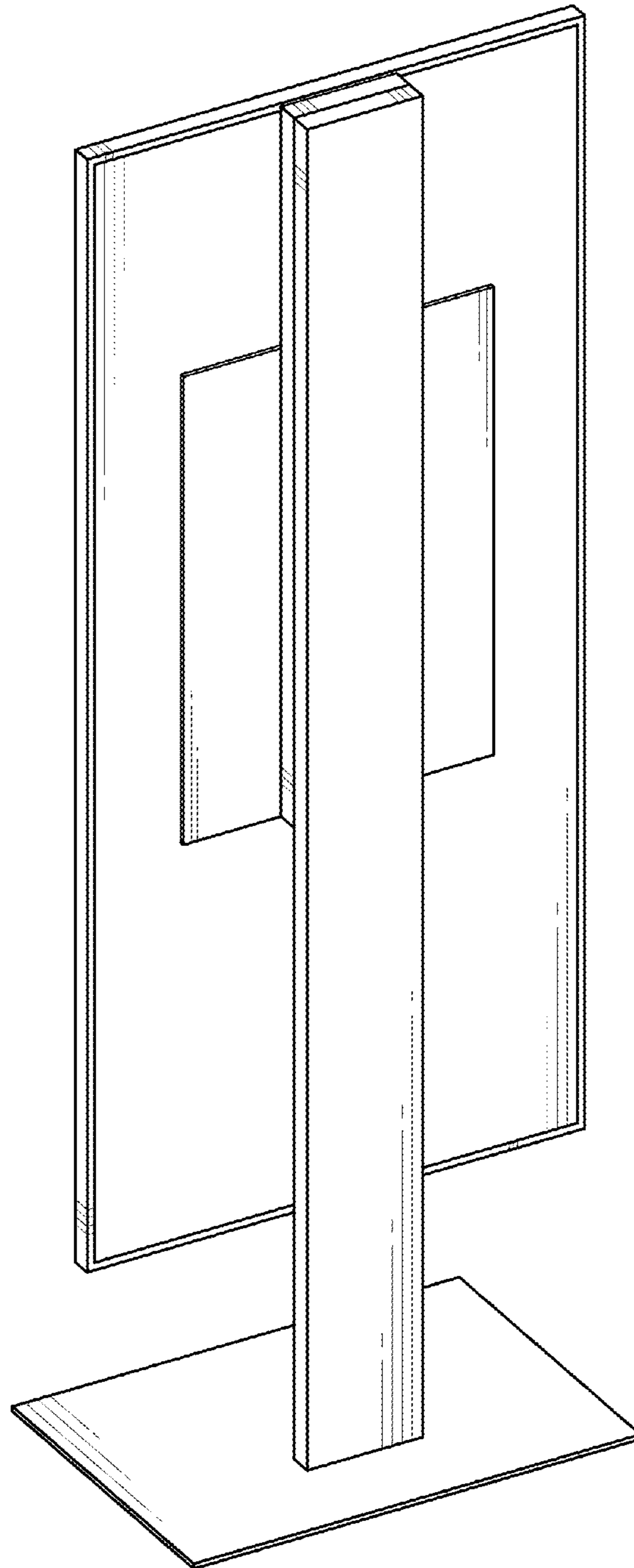


FIG. 2

FIG. 3

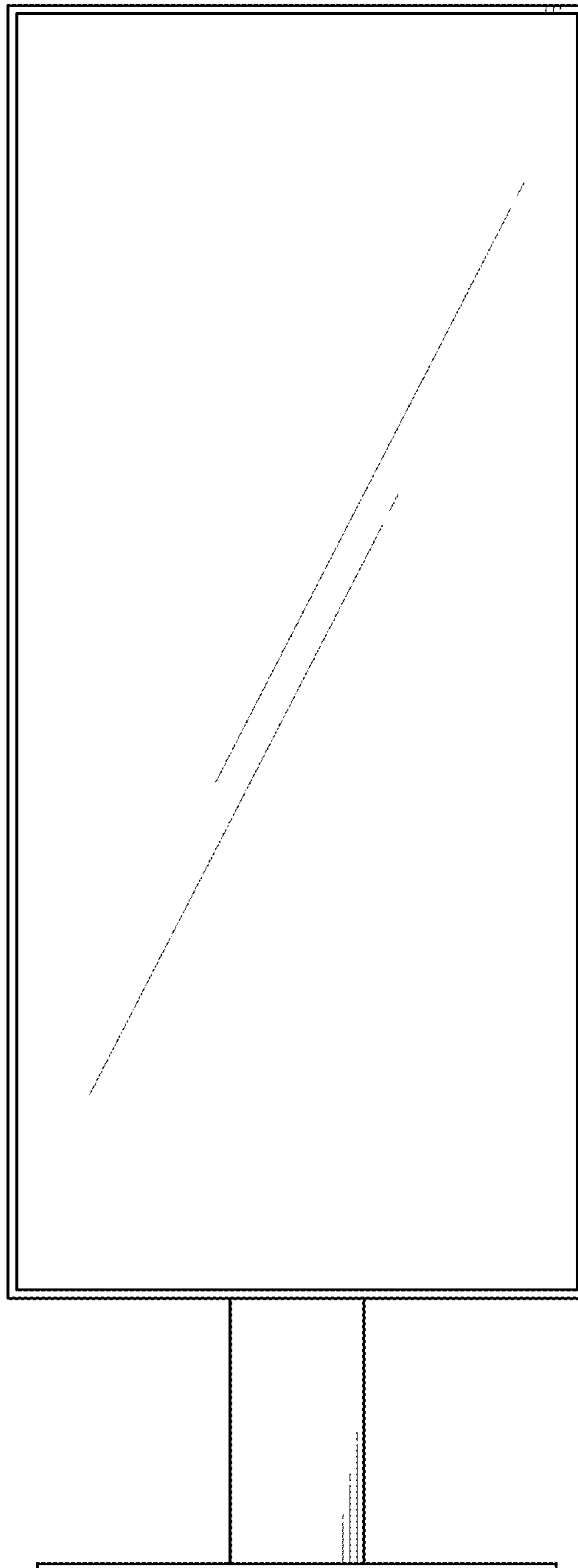


FIG. 4

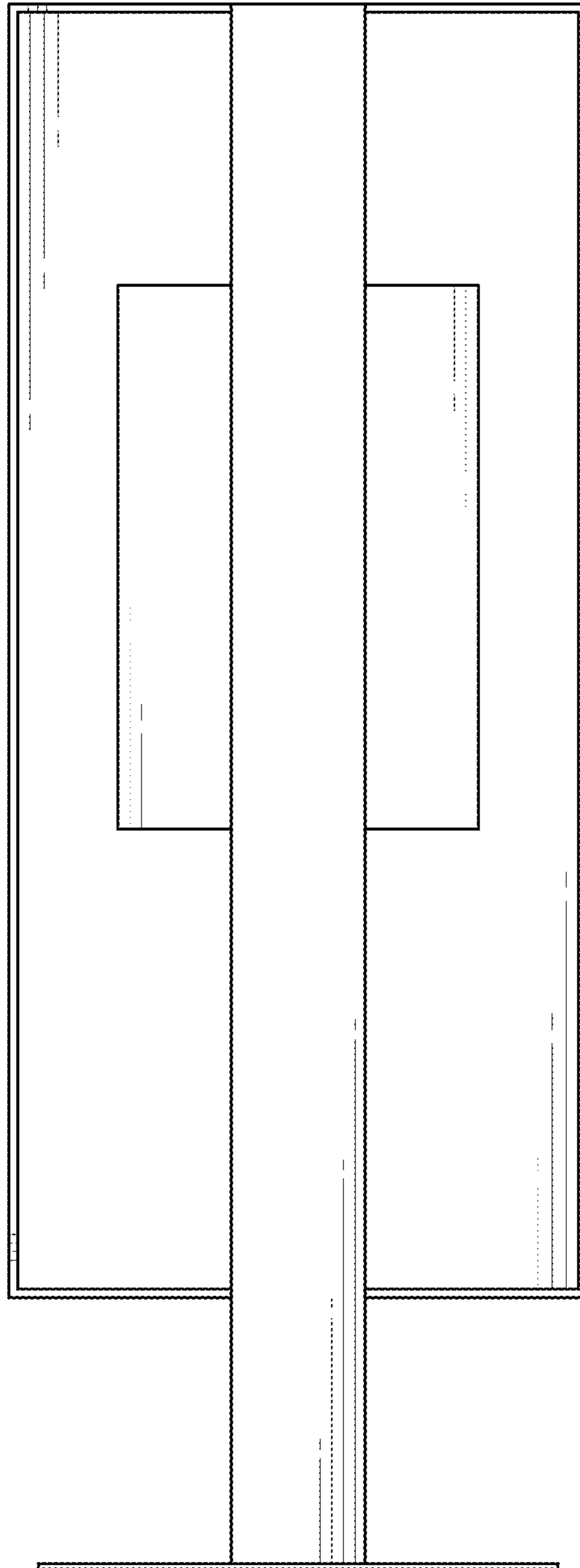
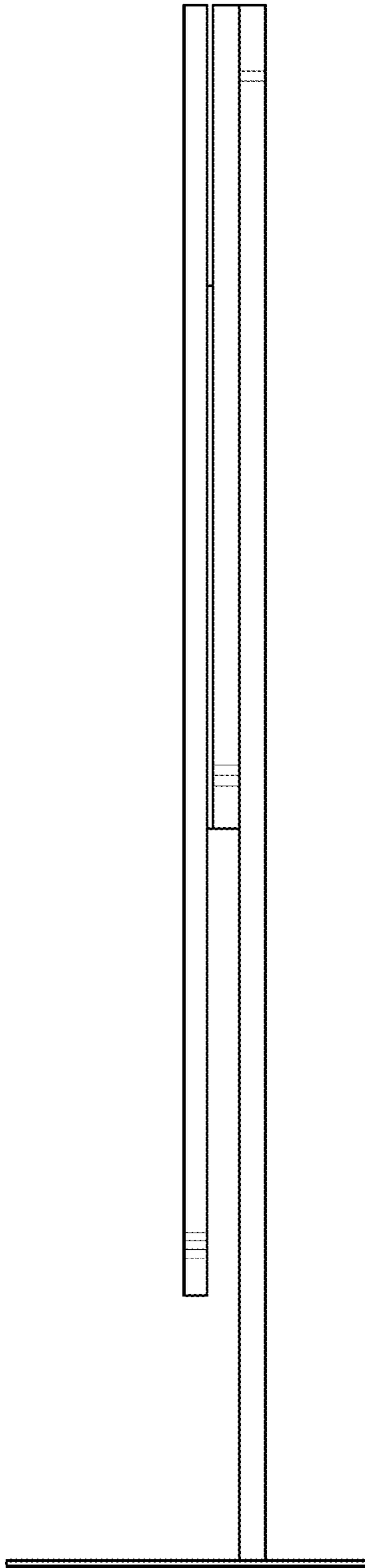


FIG. 5



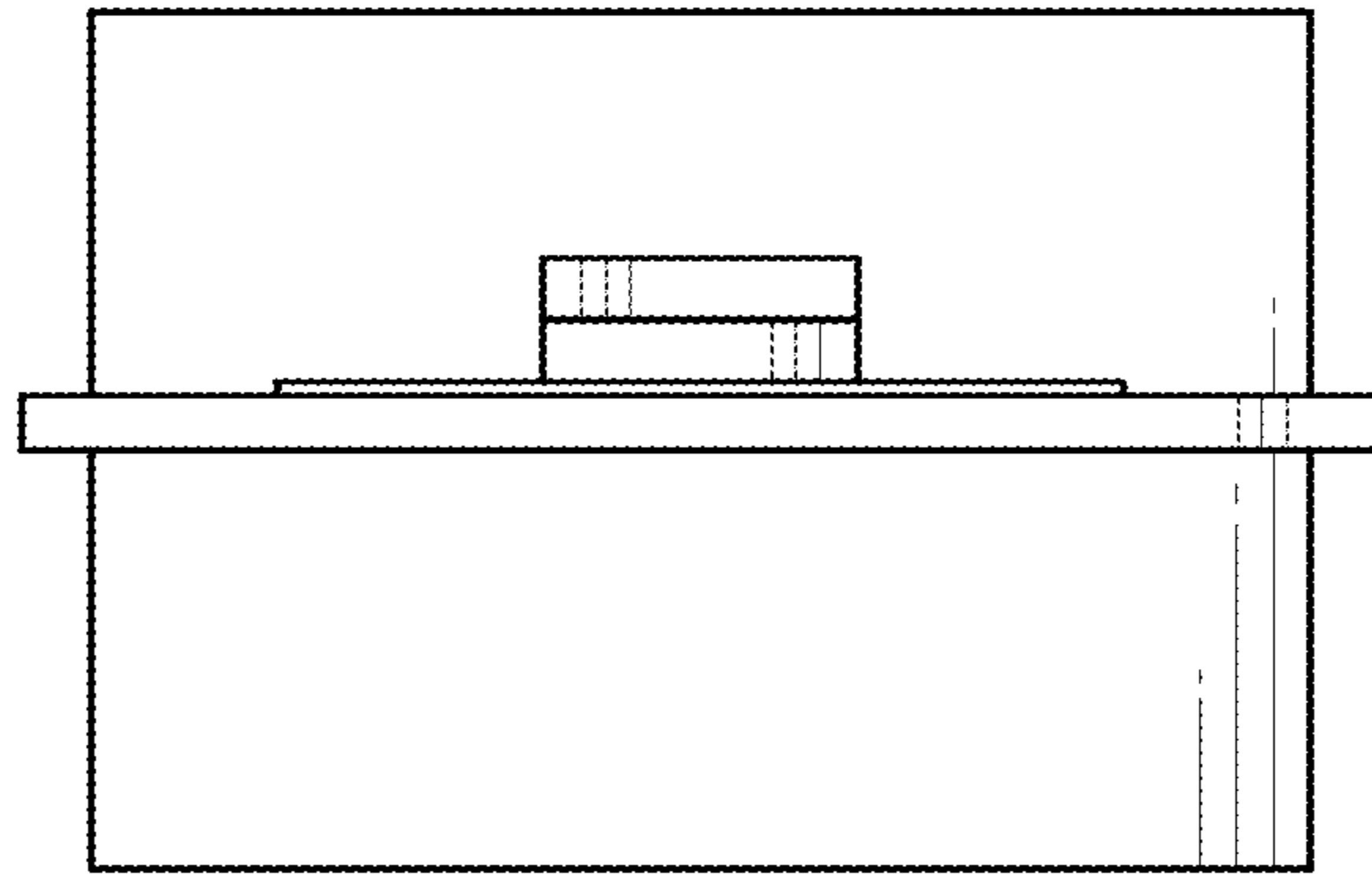


FIG. 6

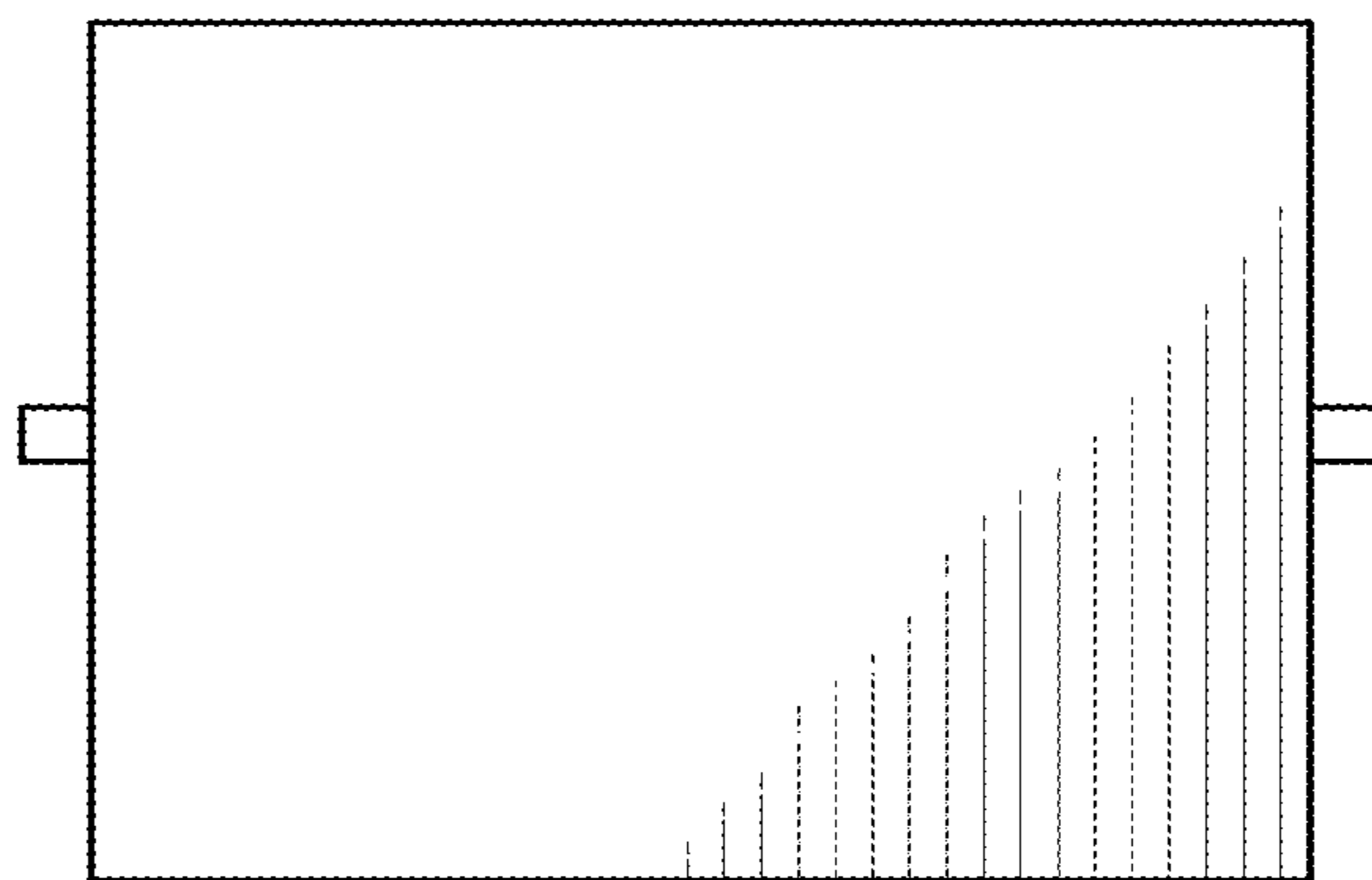


FIG. 7

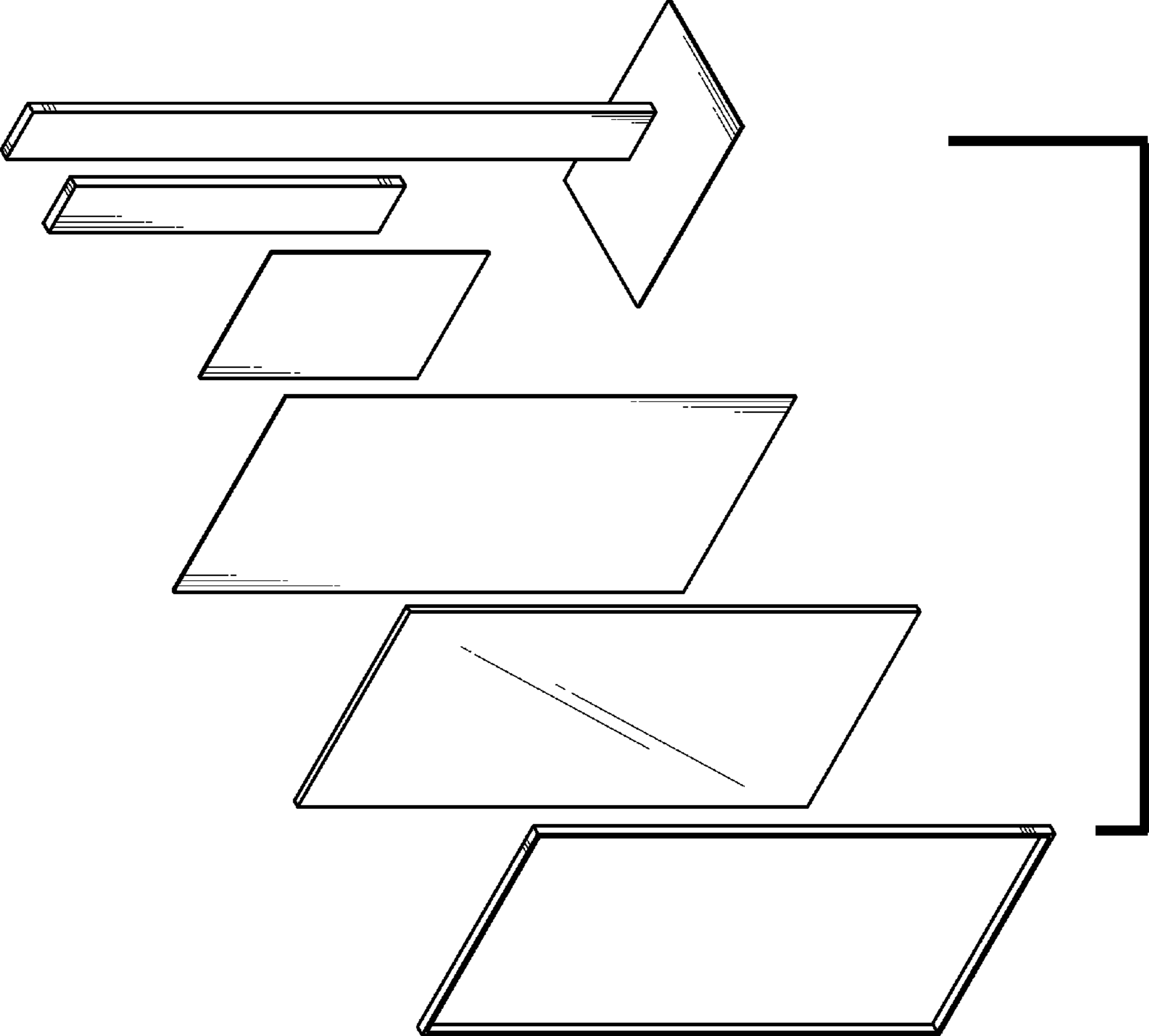


FIG. 8

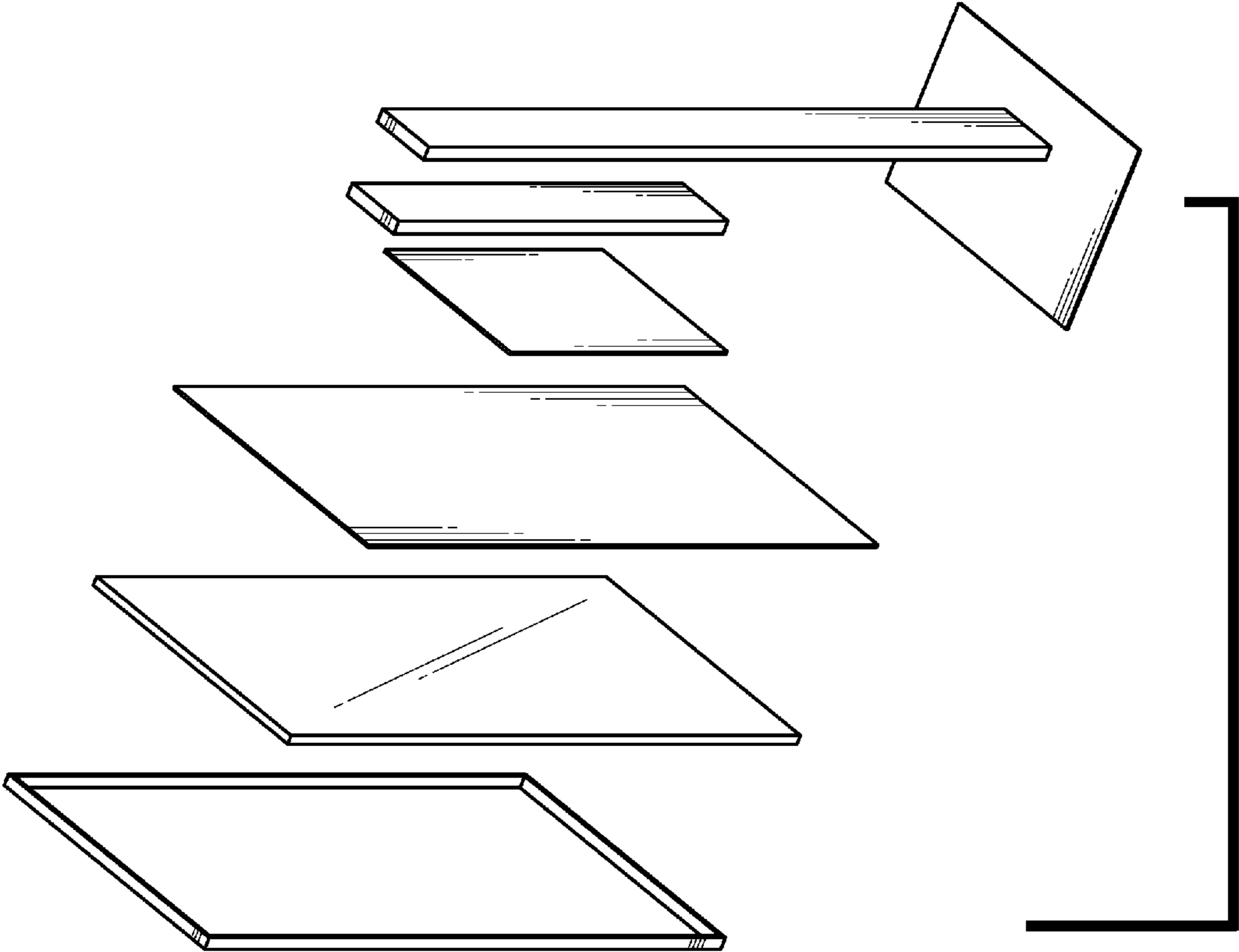


FIG. 9

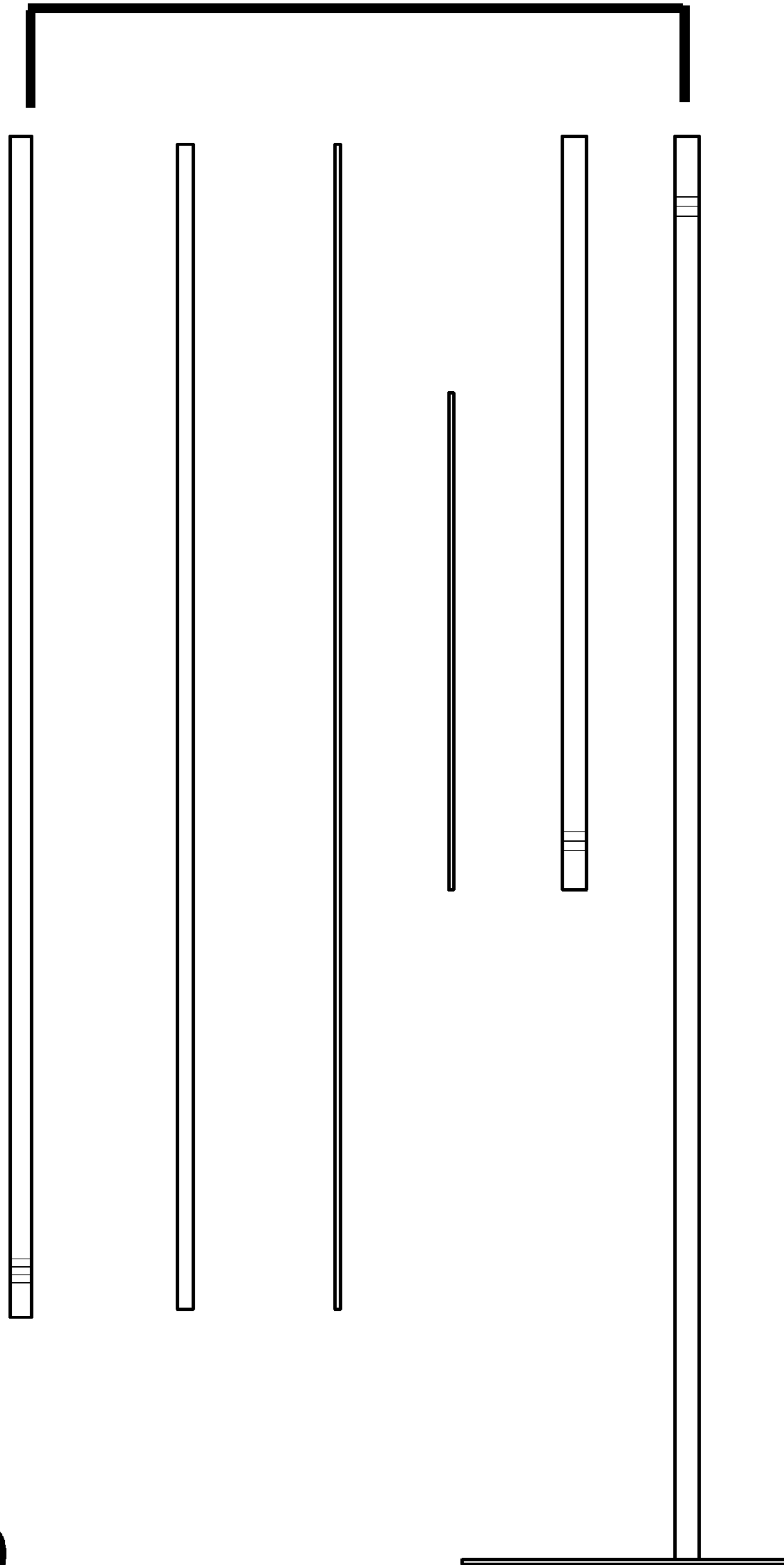


FIG. 10

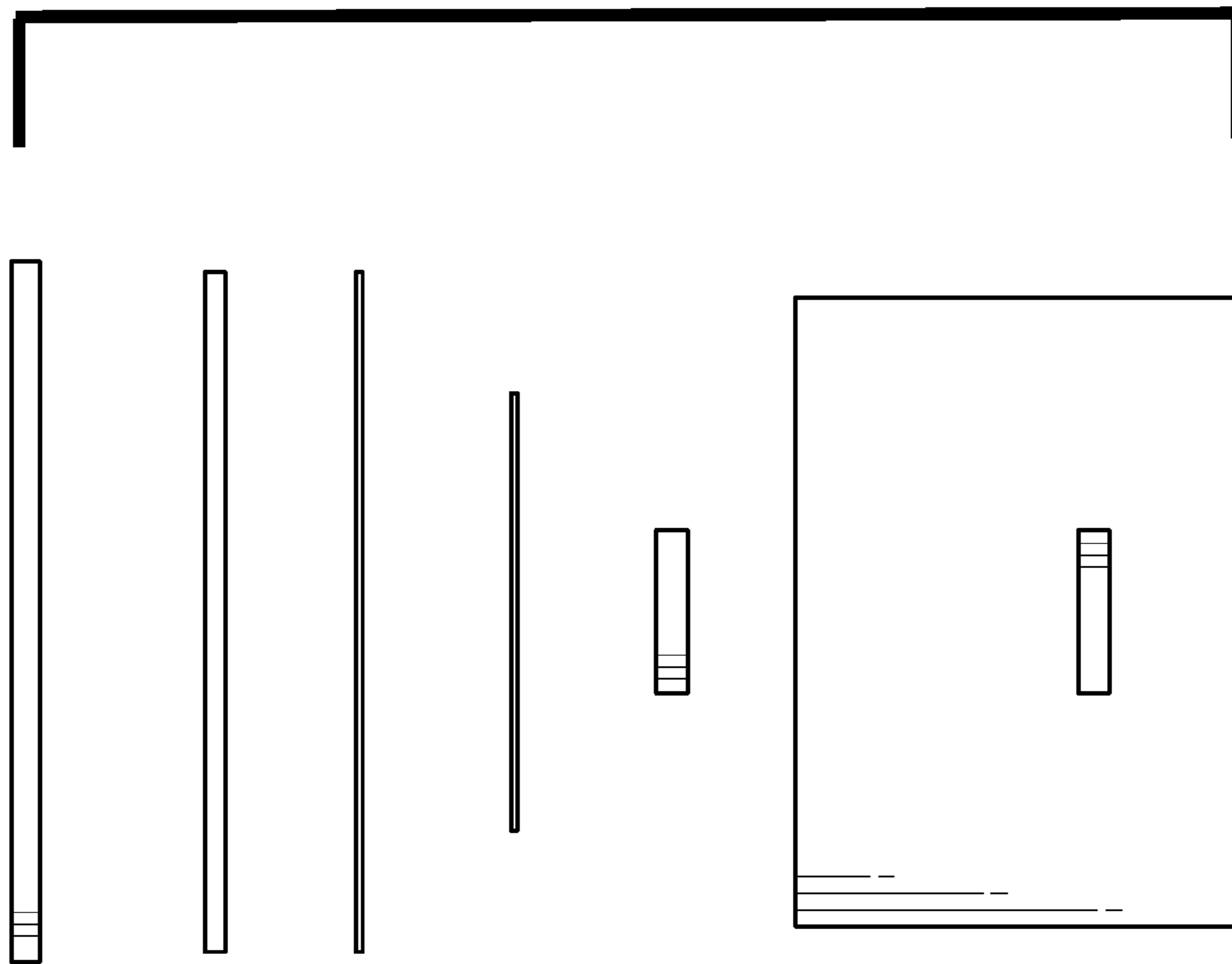


FIG. 11