



US00D727994S

(12) **United States Design Patent**
Hasuda

(10) **Patent No.:** **US D727,994 S**
(45) **Date of Patent:** **** Apr. 28, 2015**

(54) **INTERMEDIATE ADAPTER FOR A CAMERA**

(71) Applicant: **Nikon Corporation**, Tokyo (JP)

(72) Inventor: **Masanori Hasuda**, Fujisawa (JP)

(73) Assignee: **Nikon Corporation**, Tokyo (JP)

(**) Term: **14 Years**

(21) Appl. No.: **29/451,765**

(22) Filed: **Apr. 8, 2013**

Related U.S. Application Data

(62) Division of application No. 29/412,569, filed on Feb. 6, 2012, now Pat. No. Des. 698,844.

(30) **Foreign Application Priority Data**

Aug. 10, 2011	(JP)	2011-018387
Sep. 15, 2011	(JP)	2011-021128
Sep. 15, 2011	(JP)	2011-021129
Sep. 15, 2011	(JP)	2011-021130
Sep. 15, 2011	(JP)	2011-021131

(51) **LOC (10) Cl.** **16-05**

(52) **U.S. Cl.**
USPC **D16/219**

(58) **Field of Classification Search**
USPC D16/130, 134, 136, 200, 202, 204, 218,
D16/219; 359/818, 819, 827, 828, 830;
396/529, 530, 531, 532; 348/373-376
See application file for complete search history.

(56) **References Cited**

U.S. PATENT DOCUMENTS

4,063,264	A	12/1977	Ando et al.	
4,118,713	A	10/1978	Murakami et al.	
D251,669	S	4/1979	Ueda et al.	
4,740,058	A *	4/1988	Hori et al.	359/818
D302,169	S *	7/1989	Kimura et al.	D16/134

5,218,484	A *	6/1993	Terai	359/827
D341,611	S *	11/1993	Takahashi	D16/219
5,262,899	A	11/1993	Iizuka	
5,481,406	A	1/1996	Yamazaki et al.	
5,570,153	A	10/1996	Shono	
D375,969	S	11/1996	Watanabe	
D390,857	S	2/1998	Hayamizu	
D412,922	S *	8/1999	Sekine	D16/219
D420,029	S	2/2000	Kimura et al.	
D425,088	S	5/2000	Watanabe	
D433,044	S	10/2000	Nagaoka et al.	
D441,382	S	5/2001	Konno et al.	

(Continued)

Primary Examiner — Adir Aronovich

(74) *Attorney, Agent, or Firm* — Wolf, Greenfield & Sacks, P.C.; Randy J. Pritzker

(57) **CLAIM**

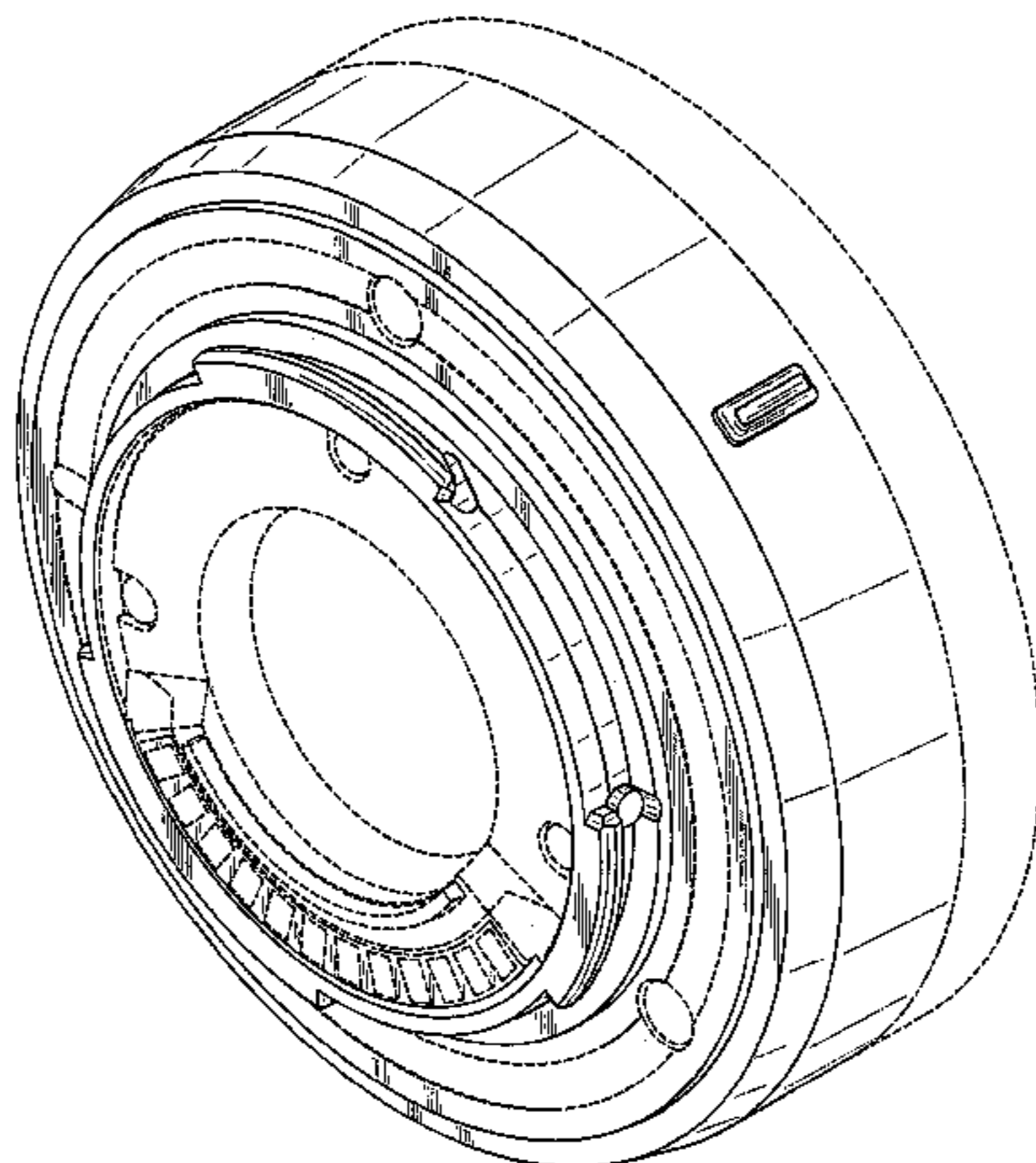
The ornamental design for an intermediate adapter for a camera, as shown and described.

DESCRIPTION

FIG. 1 is a perspective view of a first embodiment of an intermediate adapter for a camera showing my new design; FIG. 2 is a rear elevational view thereof; FIG. 3 is a top plan view thereof; FIG. 4 is a bottom plan view thereof; FIG. 5 is a right side elevational view thereof; FIG. 6 is a left side elevational view thereof; FIG. 7 is a perspective view of a second embodiment of an intermediate adapter for a camera showing my new design; FIG. 8 is a rear elevational view thereof; FIG. 9 is a top plan view thereof; FIG. 10 is a bottom plan view thereof; FIG. 11 is a right side elevational view thereof; and, FIG. 12 is a left side elevational view thereof.

The features shown in broken lines in the drawings depict environmental subject matter only and form no part of the claimed design. The dot-dashed lines denote the boundary of the claim, and form no part of the claimed design.

1 Claim, 12 Drawing Sheets



(56)

References Cited

U.S. PATENT DOCUMENTS

6,369,960 B2	4/2002	Azegami	7,625,144 B2	12/2009	Kranz et al.
6,554,503 B2	4/2003	Imanari et al.	7,798,137 B2	9/2010	Ewing
D482,377 S	11/2003	Tajima	7,798,731 B2	9/2010	Kurosawa
D523,057 S	6/2006	Watanabe	7,848,634 B2	12/2010	Kranz et al.
D537,096 S	2/2007	Tokiwa et al.	7,853,137 B2	12/2010	Yang
D537,461 S	2/2007	Tokiwa et al.	7,961,411 B2	6/2011	Lee
D539,320 S	3/2007	Tokiwa et al.	7,988,372 B2	8/2011	Lee et al.
D540,363 S	4/2007	Tokiwa et al.	8,002,483 B2	8/2011	Fujiwara et al.
D549,263 S	8/2007	Tokiwa et al.	8,027,576 B2	9/2011	Lai
D549,264 S	8/2007	Tokiwa	D665,837 S	8/2012	Tainaka
D552,147 S	10/2007	Tajima	D670,751 S	11/2012	Koyama et al.
D559,884 S	1/2008	Tokiwa	D671,586 S	11/2012	Asano et al.
7,593,169 B2	9/2009	Ouchi	2010/0226023 A1	9/2010	Lee
			2011/0274424 A1	11/2011	Fujiwara et al.
			2012/0039595 A1	2/2012	Youn

* cited by examiner

FIG. 1

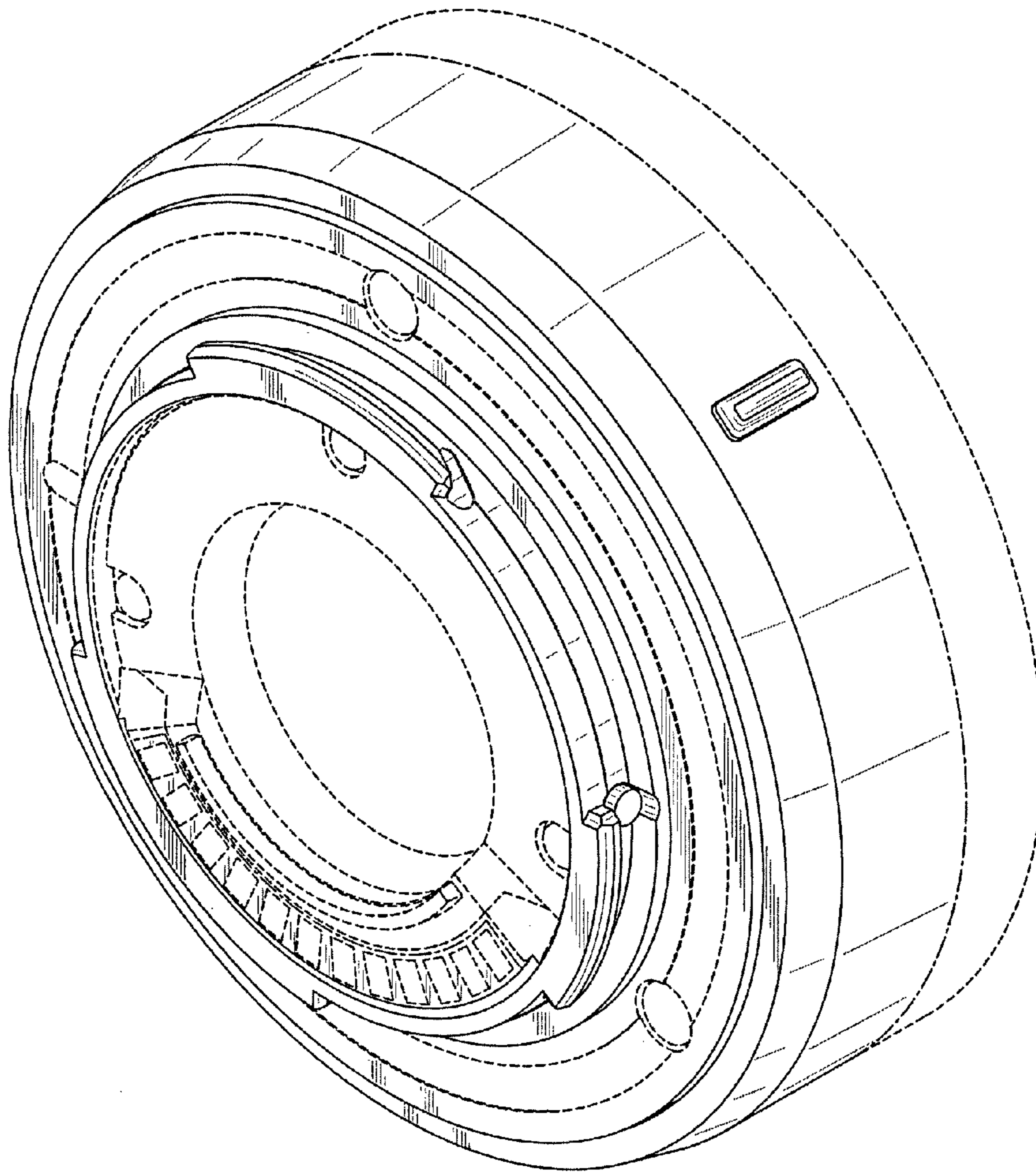


FIG. 2

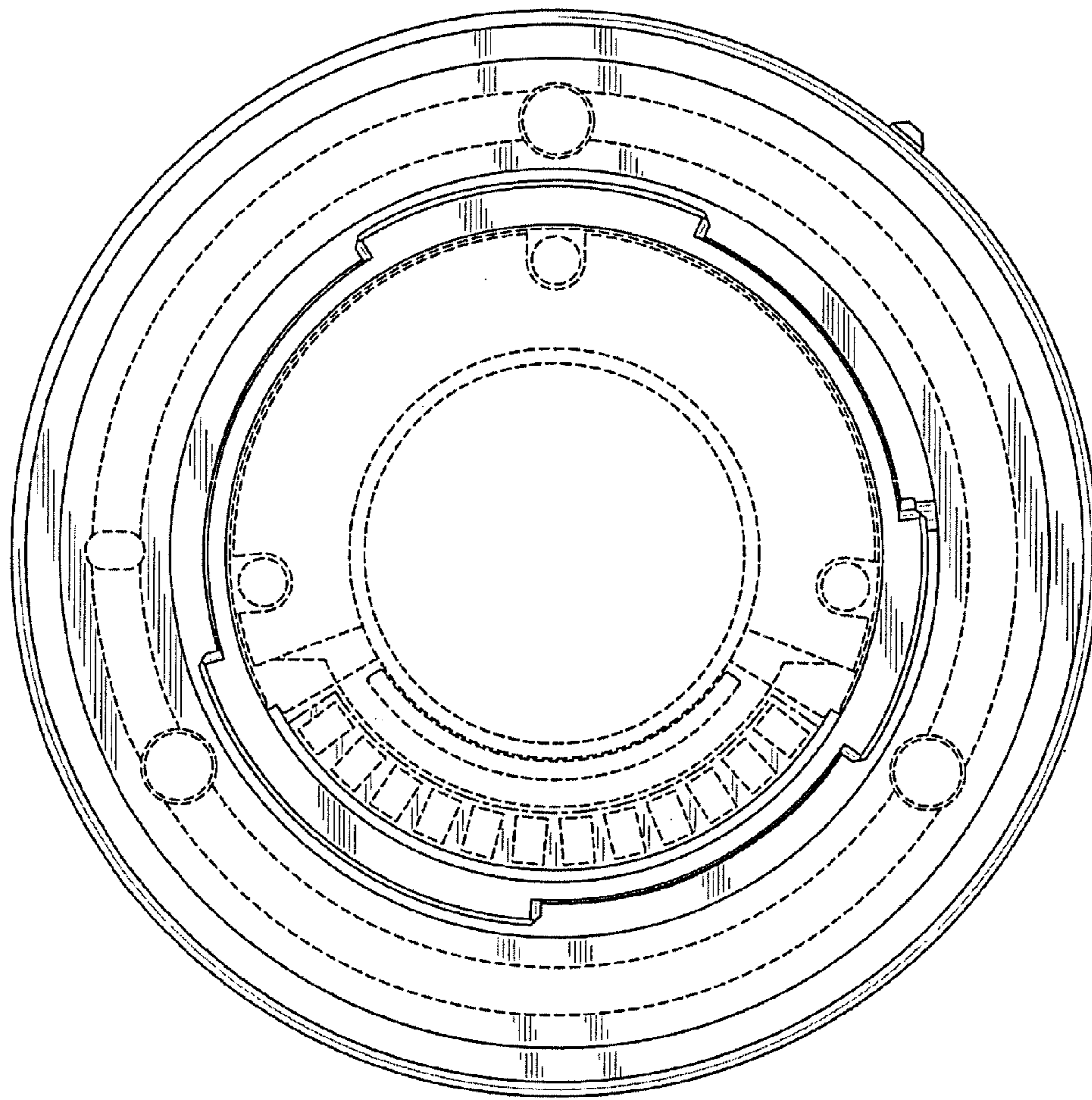


FIG. 3

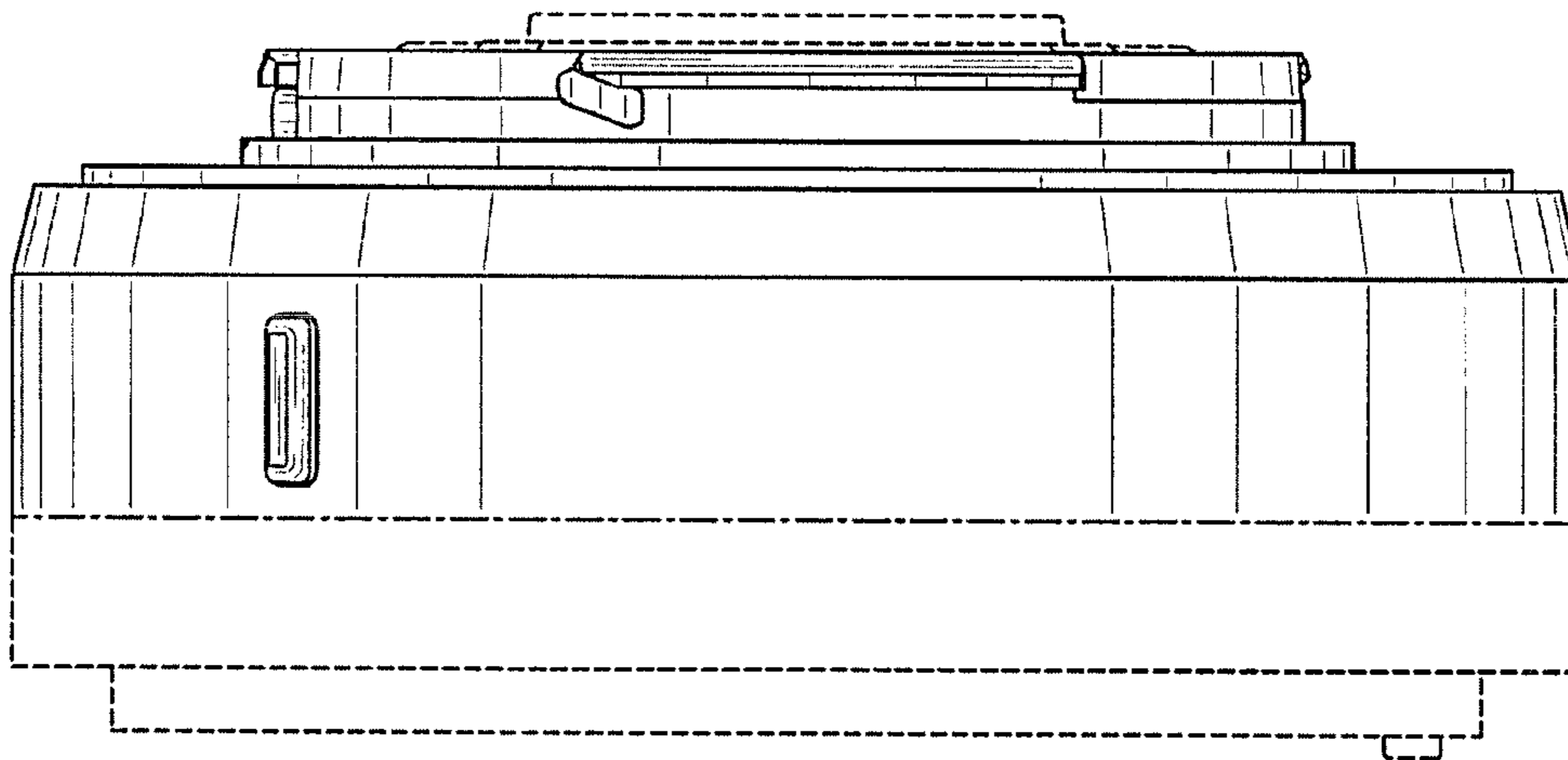


FIG. 4

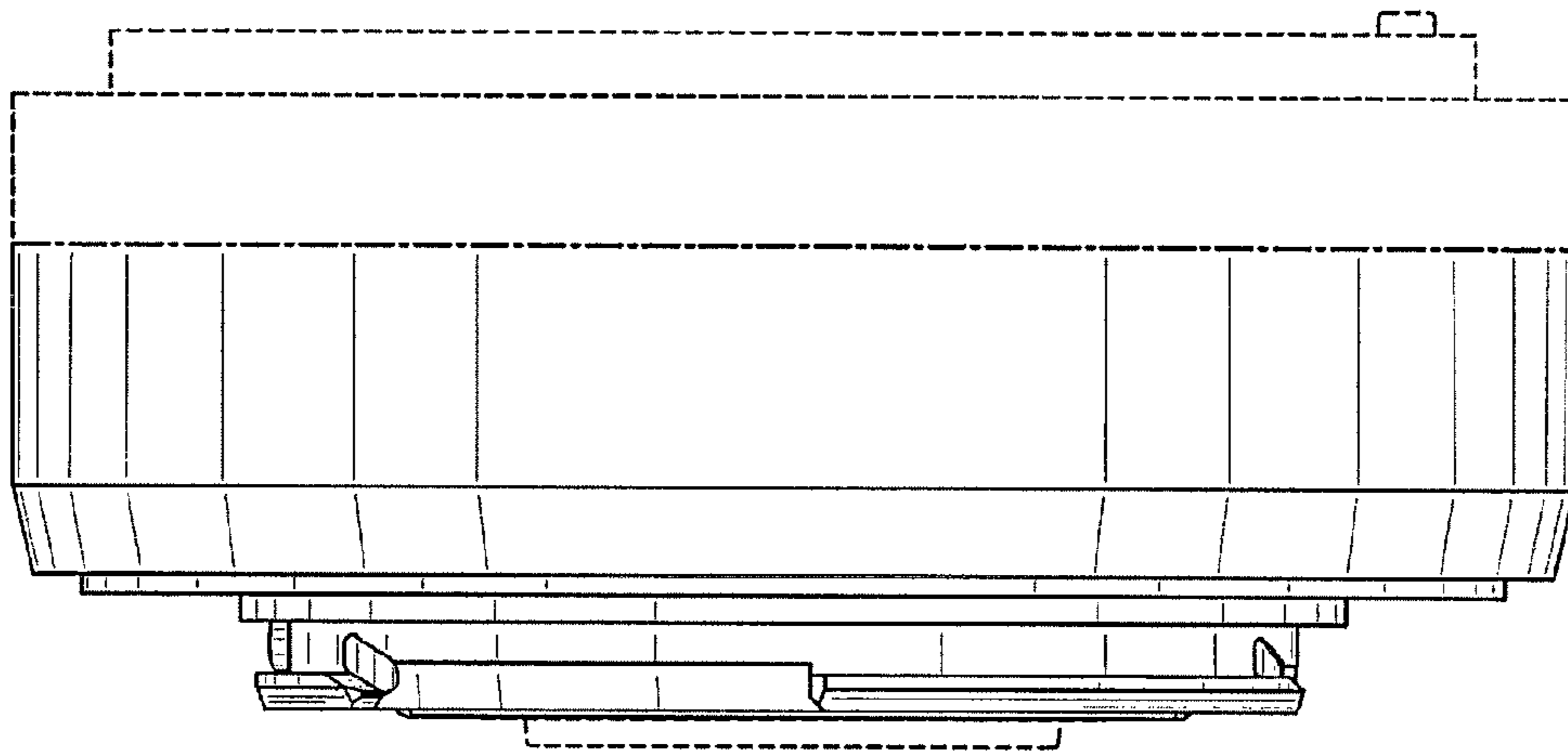


FIG. 5

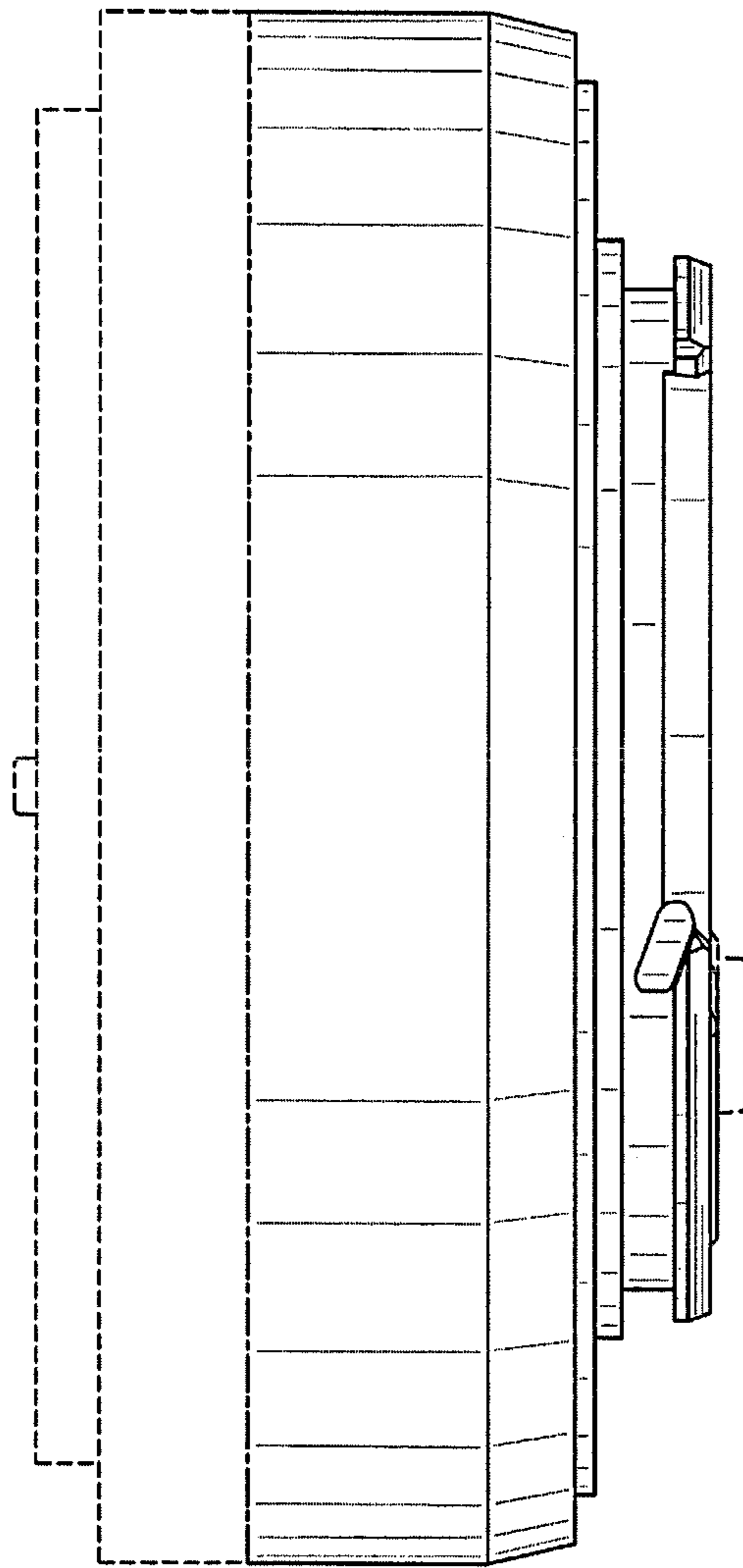


FIG. 6

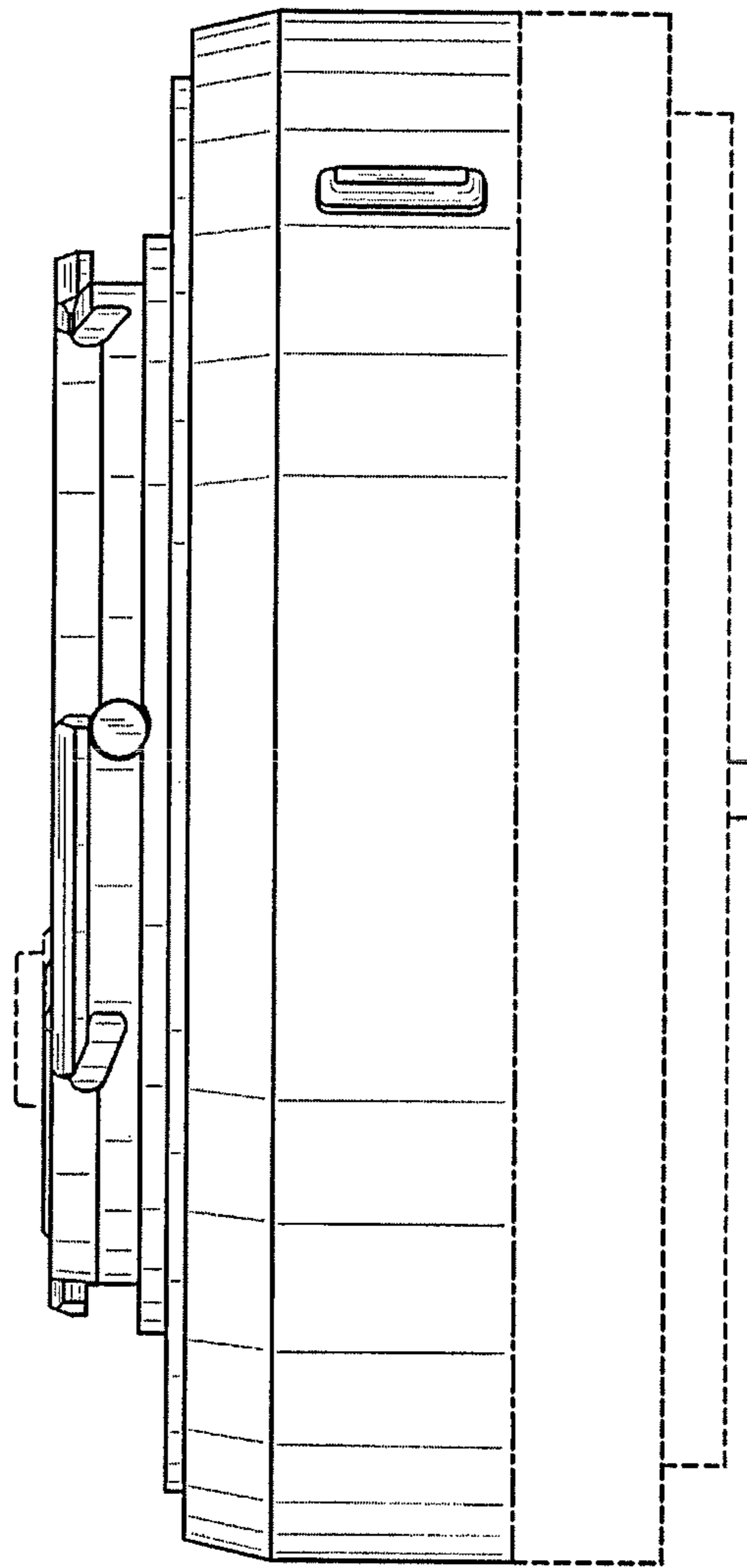


FIG. 7

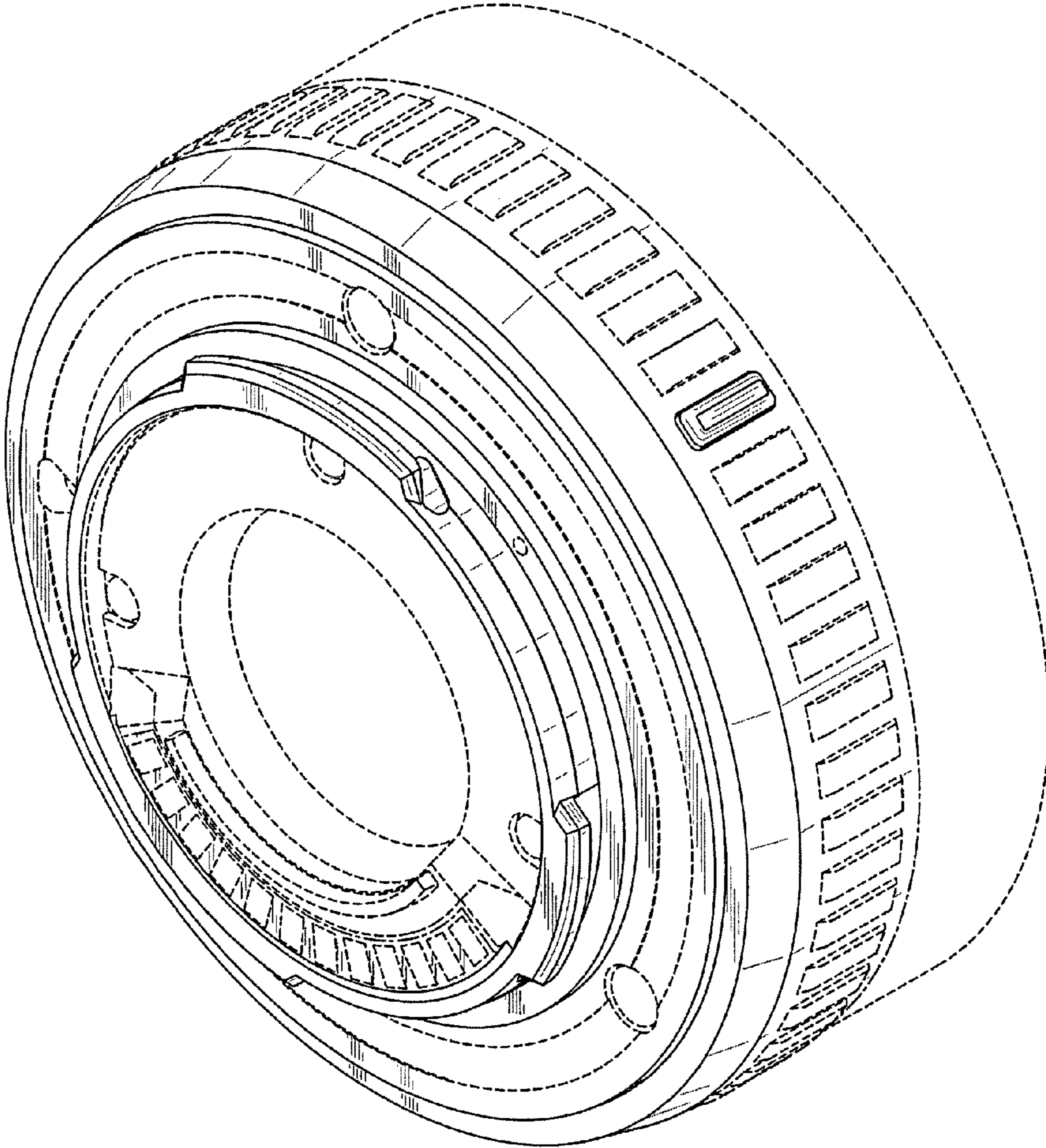


FIG. 8

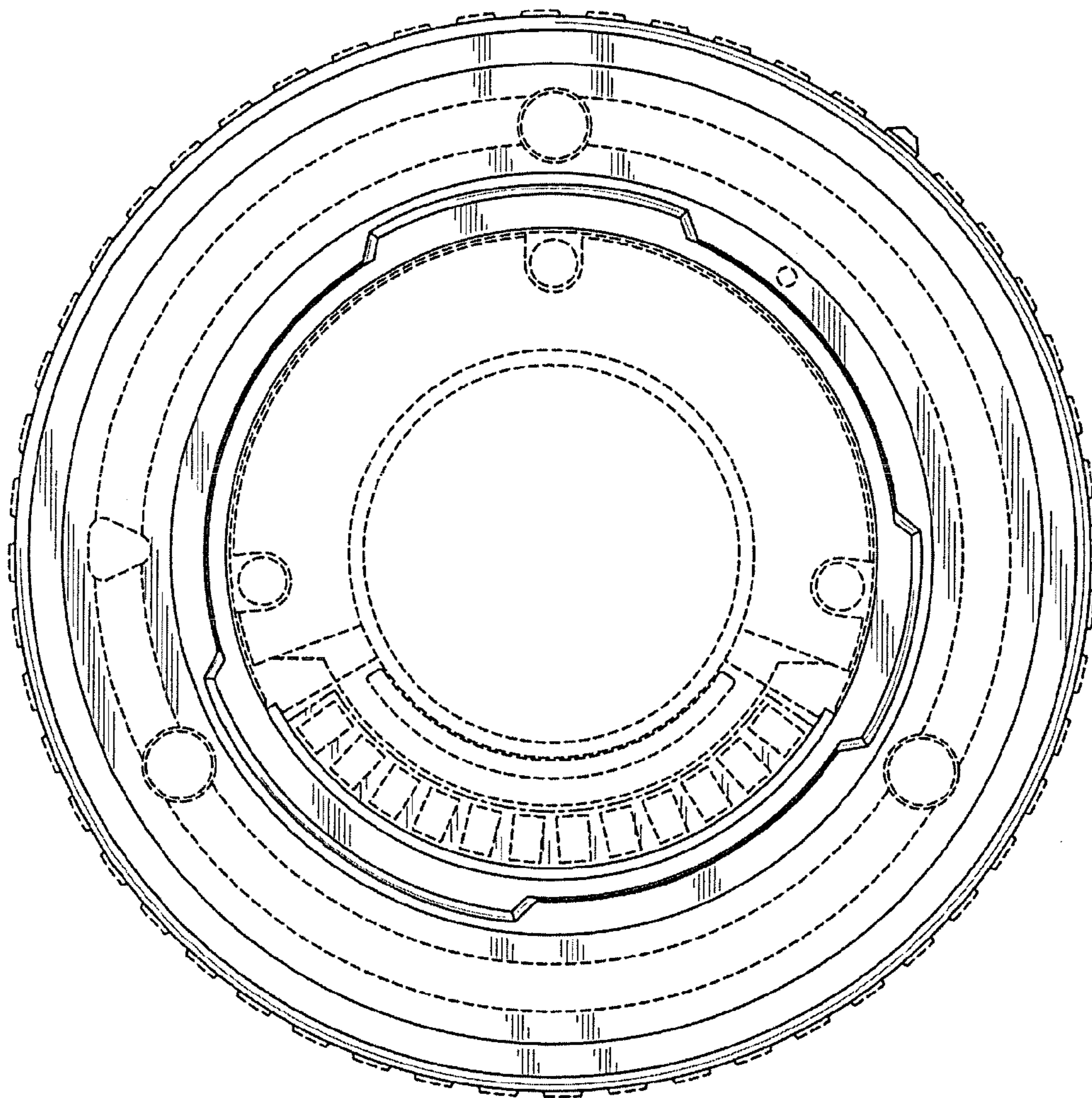


FIG. 9

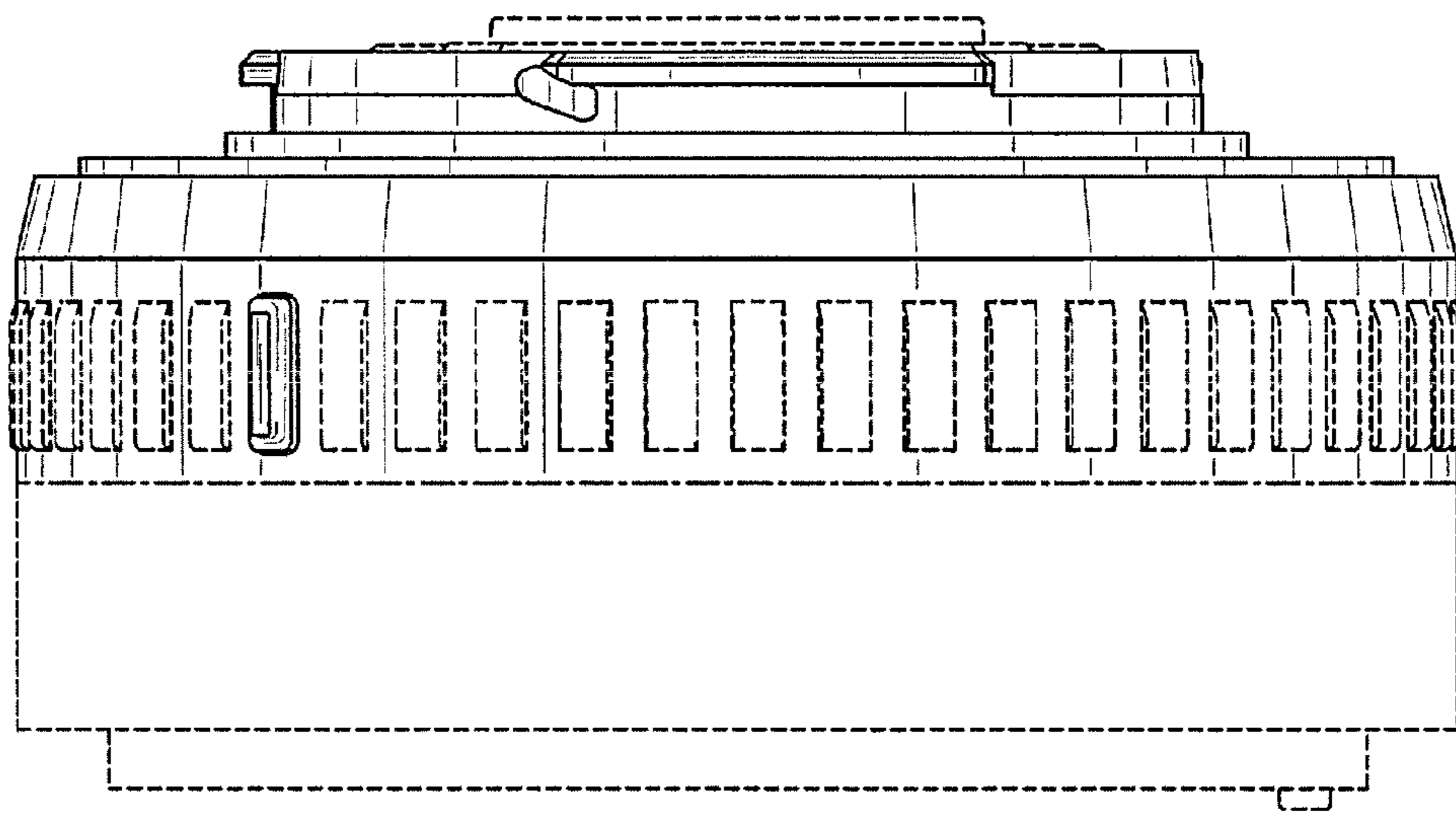


FIG. 10

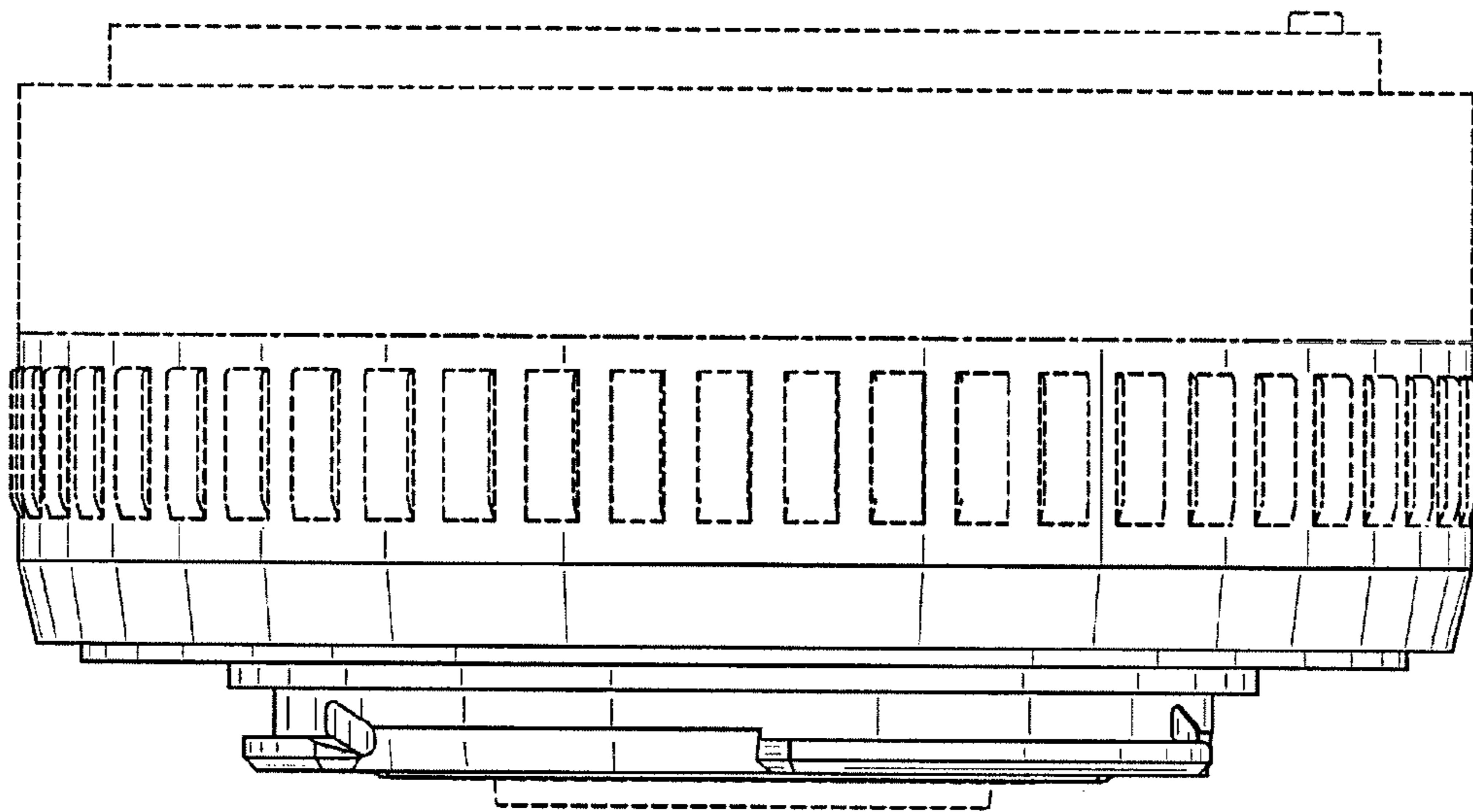


FIG. 11

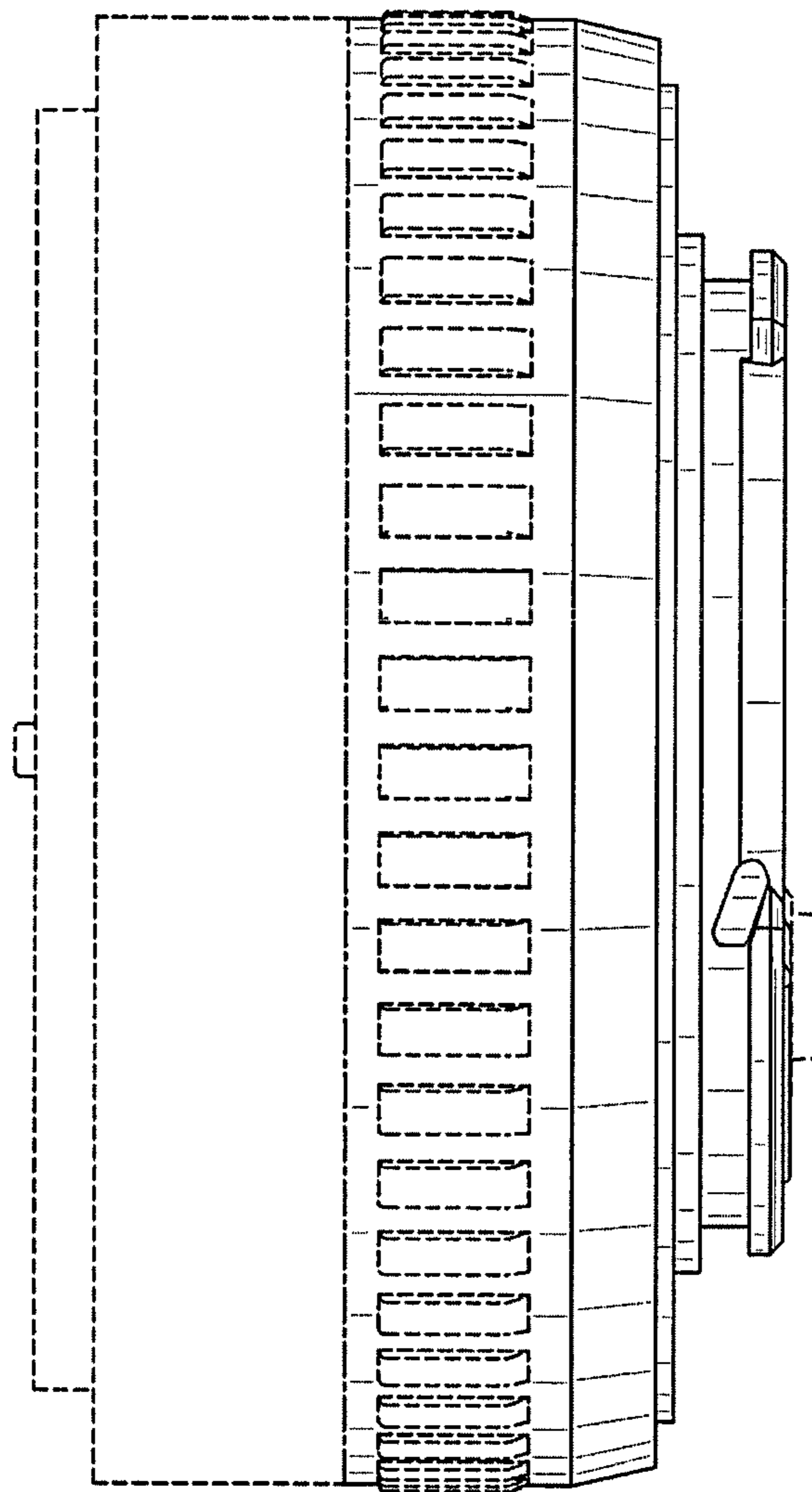


FIG. 12

