



US00D727993S

(12) **United States Design Patent**
Takagi

(10) **Patent No.:** **US D727,993 S**
(45) **Date of Patent:** **** Apr. 28, 2015**

- (54) **CAMERA**
- (71) Applicant: **Sony Corporation**, Tokyo (JP)
- (72) Inventor: **Noriaki Takagi**, Tokyo (JP)
- (73) Assignee: **Sony Corporation**, Tokyo (JP)
- (**) Term: **14 Years**
- (21) Appl. No.: **29/435,722**
- (22) Filed: **Oct. 26, 2012**

Related U.S. Application Data

- (63) Continuation of application No. 29/371,147, filed on Oct. 29, 2010, now Pat. No. Des. 669,930.

Foreign Application Priority Data

- (30) May 10, 2010 (JP) 2010-011352
- May 10, 2010 (JP) 2010-011373
- May 11, 2010 (JP) 2010-011375

- (51) **LOC (10) Cl.** **16-05**
- (52) **U.S. Cl.**
USPC **D16/219**

- (58) **Field of Classification Search**
USPC D16/200, 202, 204, 208, 212, 218, 219,
D16/134; 348/373, 374, 375, 376;
358/909.1; 396/349, 448, 535, 536,
396/537, 538, 539, 540, 541
See application file for complete search history.

(56) **References Cited**

U.S. PATENT DOCUMENTS

- 2,545,447 A * 3/1951 Clement 451/289
- 3,033,945 A * 5/1962 Villchur 381/413
- 3,093,939 A * 6/1963 Dalton 451/270
- 3,117,396 A * 1/1964 Dalton 451/42
- 3,328,537 A * 6/1967 Hecht 381/426

- 3,454,184 A * 7/1969 Halpin 220/327
- 3,464,009 A * 8/1969 Corrsin 324/93
- 3,824,742 A * 7/1974 Rupp 451/42
- 4,252,244 A * 2/1981 Christian et al. 220/626
- D286,399 S * 10/1986 Willy D14/222
- 4,968,010 A * 11/1990 Odobasic 267/162
- 4,985,813 A * 1/1991 Putman 362/186
- 5,195,756 A * 3/1993 Wachter 277/523
- D339,599 S 9/1993 Tiffen
- 5,522,006 A * 5/1996 Takeuchi et al. 385/139
- 5,530,255 A * 6/1996 Lyons et al. 250/492.3
- 5,908,265 A * 6/1999 Mostkoff 405/29
- 6,074,236 A * 6/2000 Wu 439/378
- D442,614 S 5/2001 Sumita
- D444,161 S 6/2001 Nakamura
- D447,964 S * 9/2001 Kompa D10/60
- 6,444,976 B1 * 9/2002 Ishikawa et al. 250/229
- D497,174 S 10/2004 Omino et al.

(Continued)

FOREIGN PATENT DOCUMENTS

- JP D1249235 S 8/2008
- JP D1249520 S 8/2008

(Continued)

Primary Examiner — Cynthia Underwood

(74) *Attorney, Agent, or Firm* — Rader, Fishman & Grauer PLLC

(57) **CLAIM**

The ornamental design for a camera, as shown and described.

DESCRIPTION

FIG. 1 is a front, top, right perspective view of a camera showing our new design;

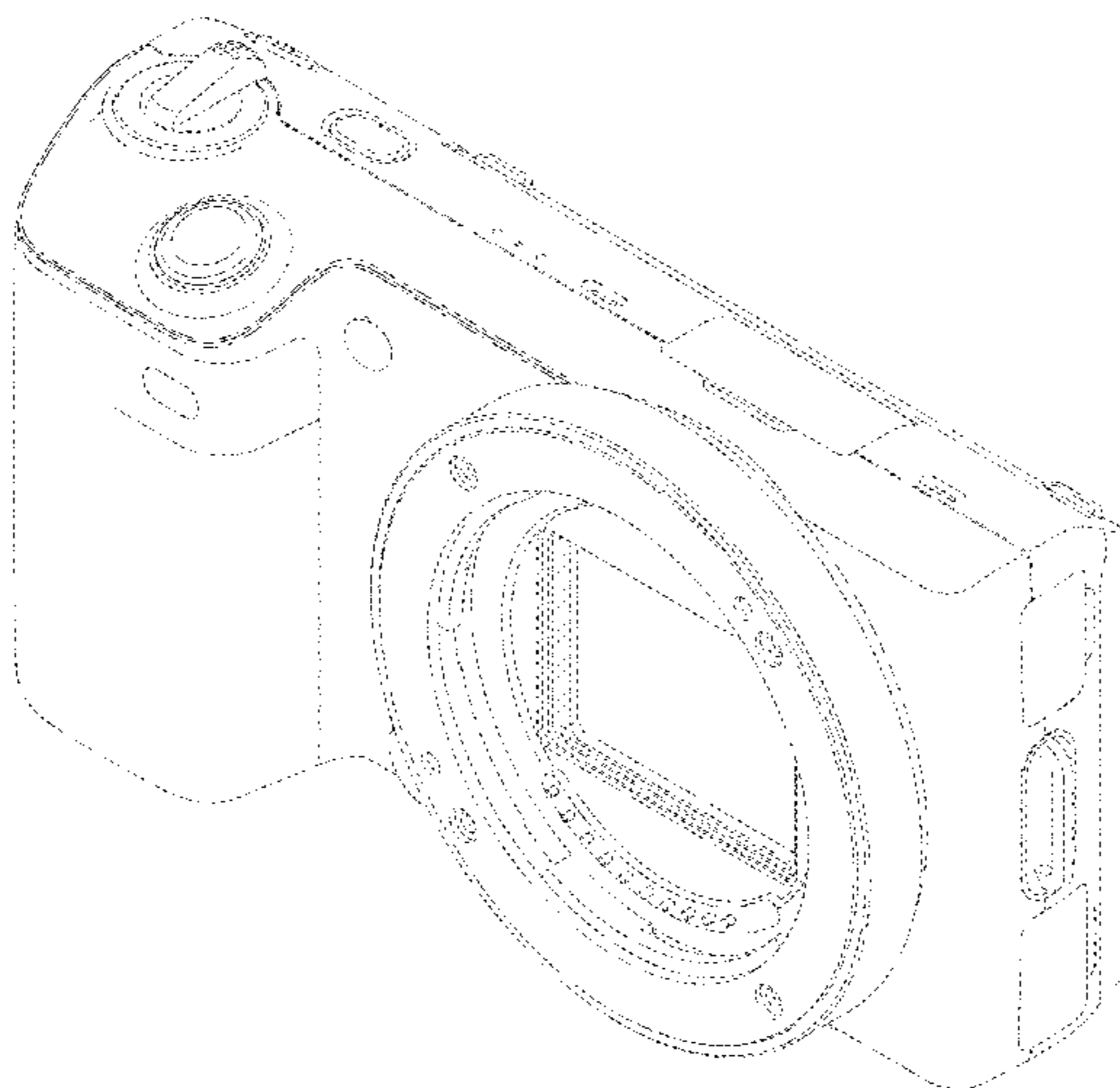
FIG. 2 is a front elevational view thereof;

FIG. 3 is a left side elevational view thereof; and,

FIG. 4 is a top plan view thereof.

The broken line drawing of the camera form no part of the claimed design. The dot-dash broken lines define the boundaries of, but not included in, the claimed design.

1 Claim, 4 Drawing Sheets



(56)

References Cited

U.S. PATENT DOCUMENTS

D528,579 S * 9/2006 Yasutomi D16/202
 7,182,529 B2 * 2/2007 Kurosawa 396/358
 D538,324 S 3/2007 Masamitsu et al.
 D542,323 S 5/2007 Takagi
 D562,374 S 2/2008 Miyashita
 D566,153 S 4/2008 Katsuraku
 D567,835 S * 4/2008 Sumita D16/206
 D589,073 S 3/2009 Hibi
 7,507,041 B2 3/2009 Ueda et al.
 D597,579 S * 8/2009 Obata D16/218
 D600,235 S 9/2009 Wada
 D600,265 S 9/2009 Miyashita
 D600,734 S 9/2009 Yamagishi
 D604,349 S 11/2009 Miyashita
 D605,679 S * 12/2009 Hayashi D16/206
 D608,812 S 1/2010 Tainaka
 D617,609 S * 6/2010 Thomas D7/601
 D617,610 S * 6/2010 Thomas D7/601
 D619,505 S * 7/2010 Thoma et al. D12/108
 D635,607 S 4/2011 Takagi
 D636,008 S 4/2011 Yasutomi
 7,992,714 B1 * 8/2011 Devault et al. 206/564
 D644,679 S 9/2011 Woodman

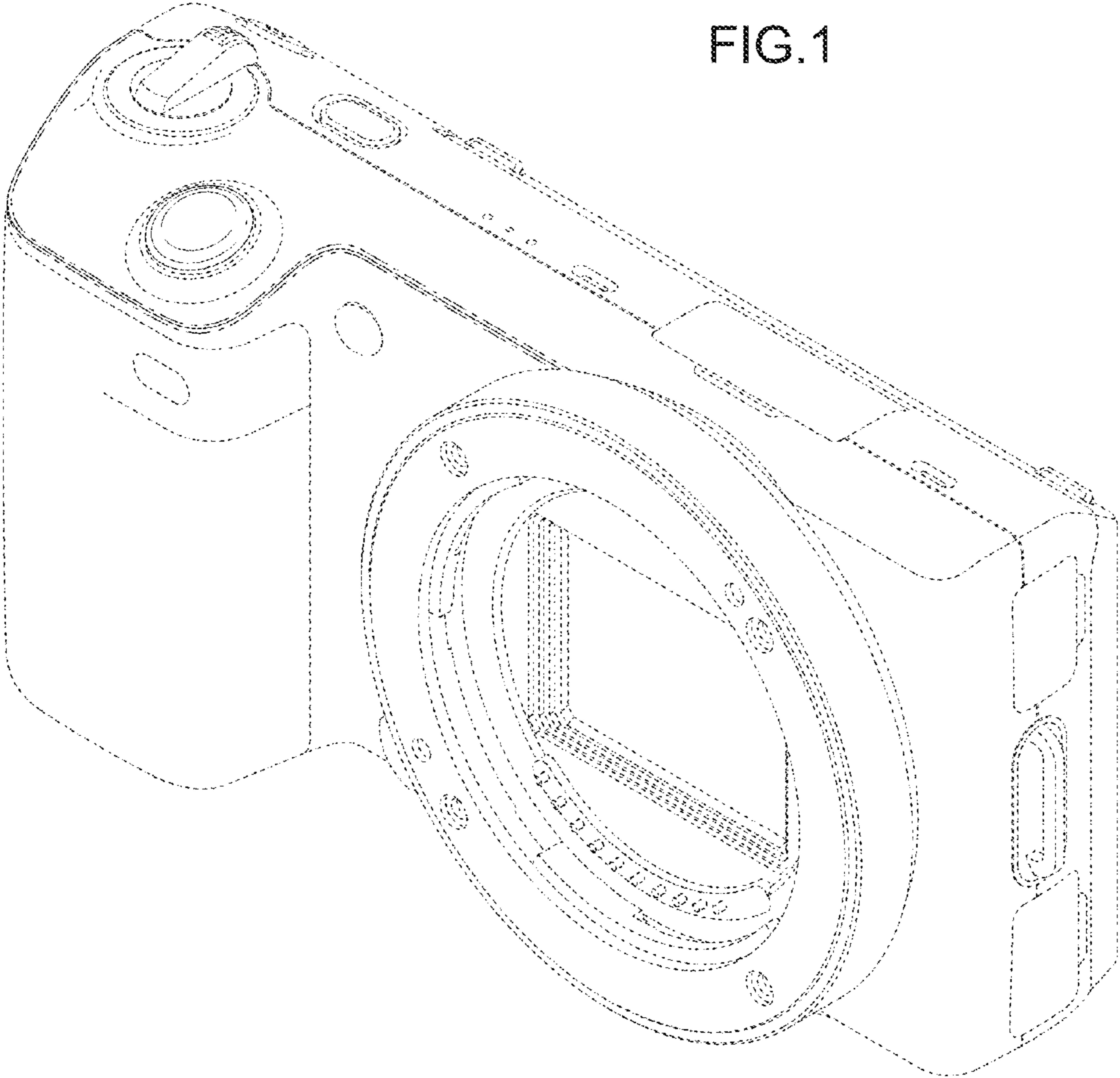
D646,313 S * 10/2011 Woodman D16/200
 D648,363 S 11/2011 Takagi et al.
 D650,005 S * 12/2011 Perks D17/99
 D650,006 S * 12/2011 Perks D17/99
 D652,853 S 1/2012 Tsukamoto
 D654,943 S 2/2012 Ogasawara et al.
 D657,811 S 4/2012 Woodman
 8,251,340 B2 * 8/2012 Webb et al. 248/683
 D669,930 S * 10/2012 Koyama et al. D16/219
 D670,751 S * 11/2012 Koyama et al. D16/219
 D682,910 S * 5/2013 Hasuda D16/219
 D686,875 S * 7/2013 Montgomery D7/396.1
 D688,516 S * 8/2013 Montgomery D7/396.2
 D688,526 S * 8/2013 Montgomery D7/586
 D690,758 S * 10/2013 Yasutomi et al. D16/219
 D692,475 S * 10/2013 Hasuda D16/219

FOREIGN PATENT DOCUMENTS

JP D1249521 S 8/2008
 JP D1249522 S 8/2008
 JP D1249523 S 8/2008
 JP D1249524 S 8/2008
 JP D1265541 S 2/2009
 JP D1274348 S 5/2009

* cited by examiner

FIG. 1



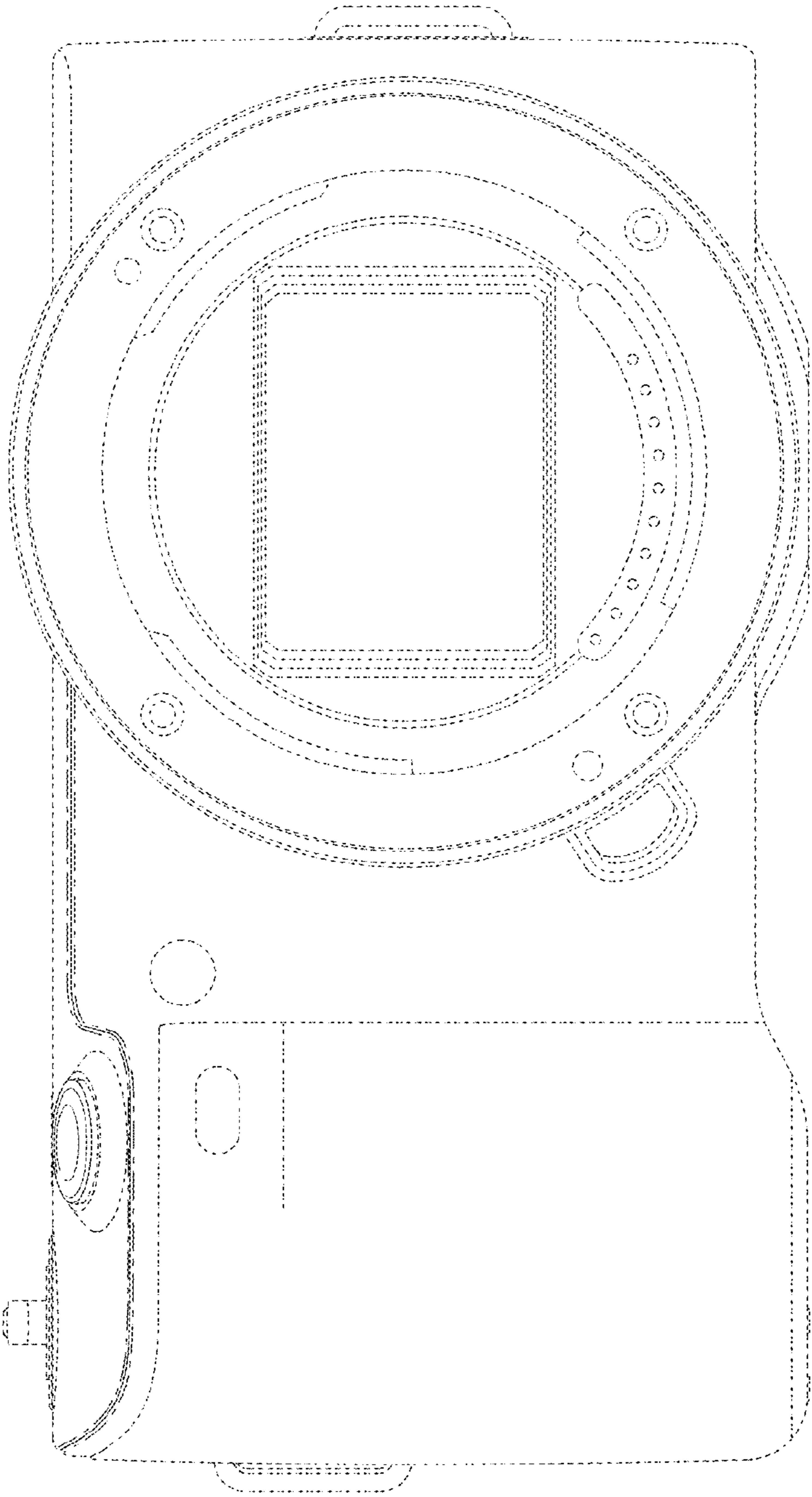


FIG. 2

FIG. 3

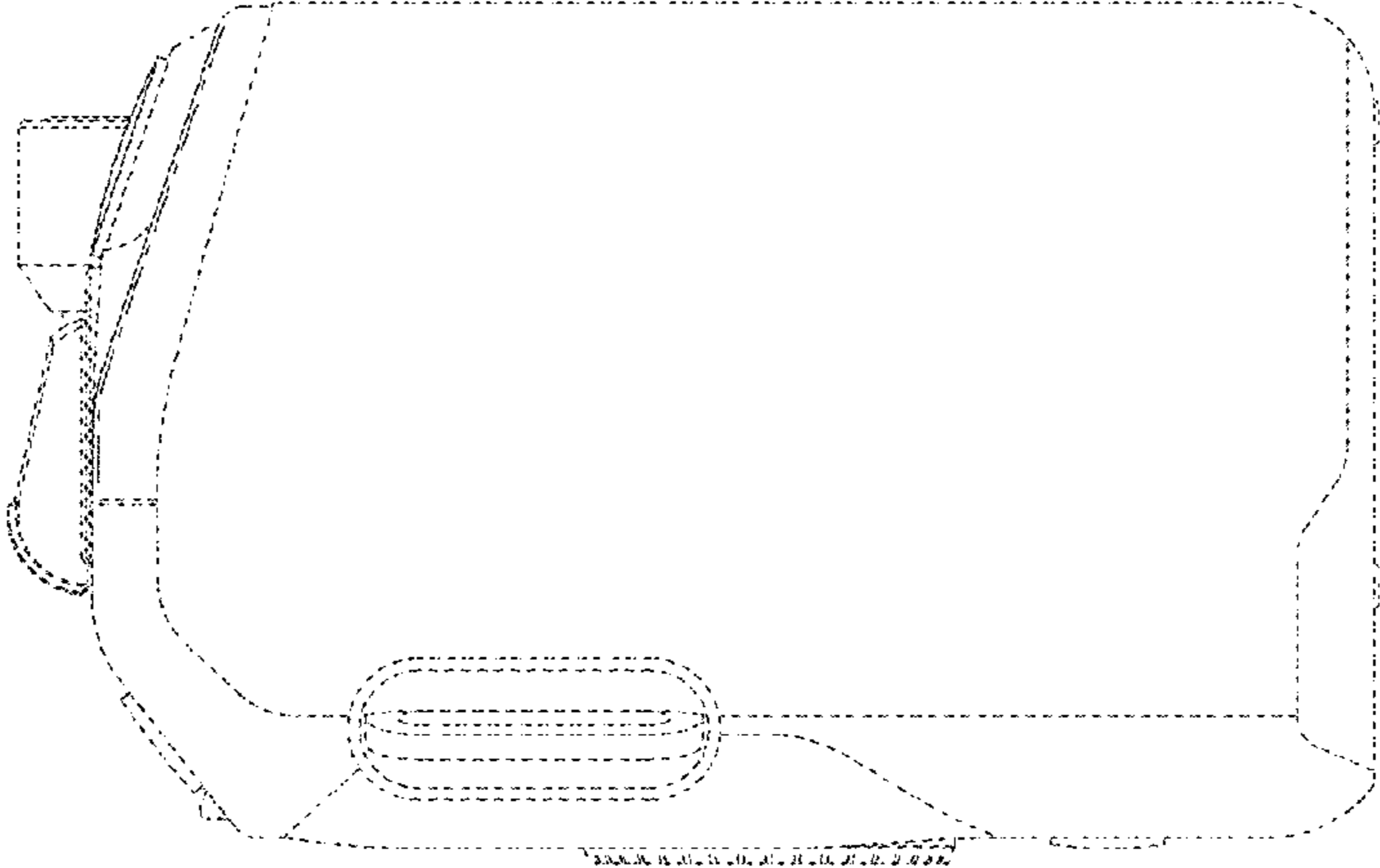


FIG.4

