



US00D727992S

(12) **United States Design Patent**
Tu et al.

(10) **Patent No.:** **US D727,992 S**
(45) **Date of Patent:** **** Apr. 28, 2015**

(54) **PORTABLE PHOTO BOOTH**

(71) Applicants: **Jeremy Tu**, Somerset, NJ (US);
Annabelle Wang, Somerset, NJ (US)

(72) Inventors: **Jeremy Tu**, Somerset, NJ (US);
Annabelle Wang, Somerset, NJ (US)

(**) Term: **14 Years**

(21) Appl. No.: **29/442,046**

(22) Filed: **Nov. 21, 2012**

(51) **LOC (10) Cl.** **16-01**

(52) **U.S. Cl.**
USPC **D16/215**

(58) **Field of Classification Search**
CPC G03B 15/00; G03B 15/03; G03B 15/06;
G03B 17/02; G03B 17/04; G03B 17/53;
G03B 17/56; G03B 19/04; H04N 5/2251;
H04N 5/2252; H04N 5/2253; H04N 5/2254;
H04N 2101/00
USPC D16/200, 202–206, 212, 214–216, 218,
D16/219, 227, 229, 239, 240, 242, 244;
D25/16; 52/27.5, 29, 36.1;
348/373–376; 396/2, 3, 5, 419, 424,
396/427, 429, 535, 539–541; 455/575.3

See application file for complete search history.

(56) **References Cited**

U.S. PATENT DOCUMENTS

D175,156 S *	7/1955	Crapsey	D16/227
D176,980 S *	2/1956	Hodgman	D16/216
D186,473 S *	10/1959	Hodgman	D16/216
D224,982 S *	10/1972	Conner	D16/200
5,218,390 A *	6/1993	Swayze	396/424
D408,835 S *	4/1999	Tiedemann et al.	D16/215
D522,558 S *	6/2006	Murray	D16/212
7,136,685 B2 *	11/2006	Chiang	455/575.3
D633,933 S *	3/2011	Van Schalkwyk	D16/214
D682,339 S *	5/2013	Uppiano et al.	D16/218
2005/0068461 A1 *	3/2005	Lin et al.	348/375

* cited by examiner

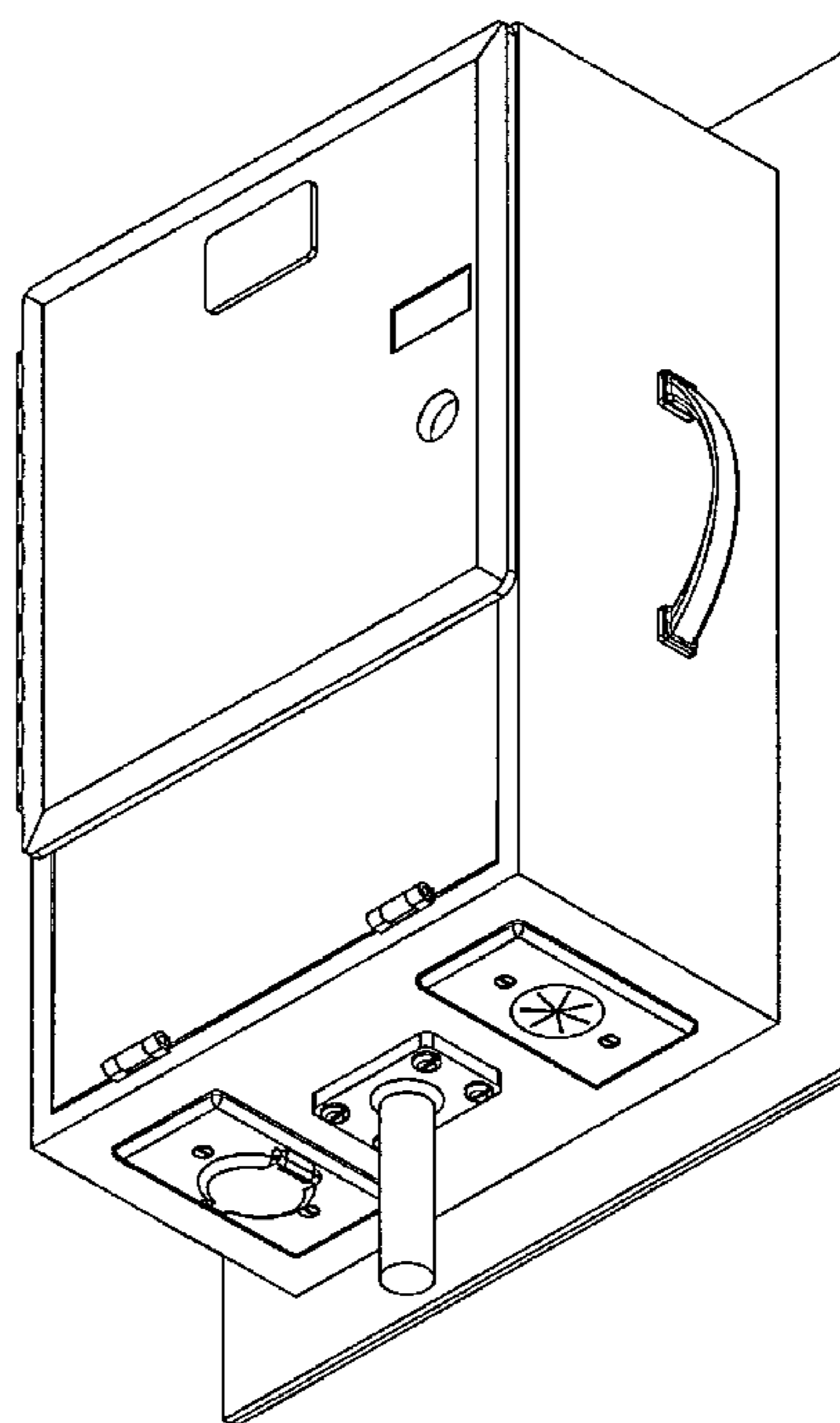
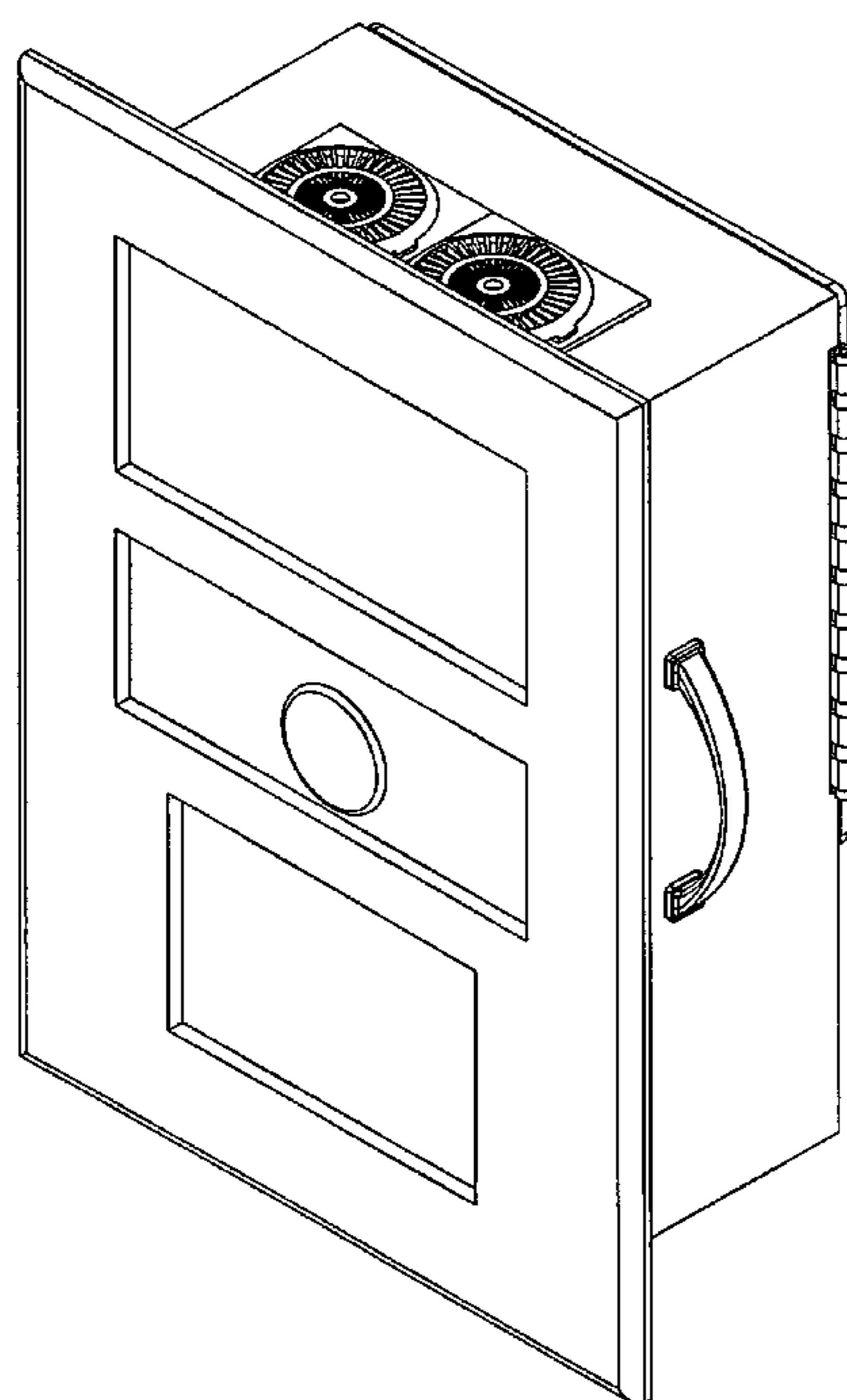
Primary Examiner — Adir Aronovich
Assistant Examiner — Ramzi Almatrahi
(74) *Attorney, Agent, or Firm* — Richard L. Strauss, Esq.

(57) **CLAIM**
The ornamental design for a portable photo booth, as shown and described.

DESCRIPTION

FIG. 1 is a front elevation view of a portable photo booth showing our new design.
FIG. 2 is a rear elevation view thereof.
FIG. 3 is a right side elevation view thereof.
FIG. 4 is a left side elevation view thereof.
FIG. 5 is a top, front and right side isometric view thereof.
FIG. 6 is a bottom, rear and left side isomeric view thereof; and,
FIG. 7 is a top, rear and left isomeric view thereof.

1 Claim, 7 Drawing Sheets



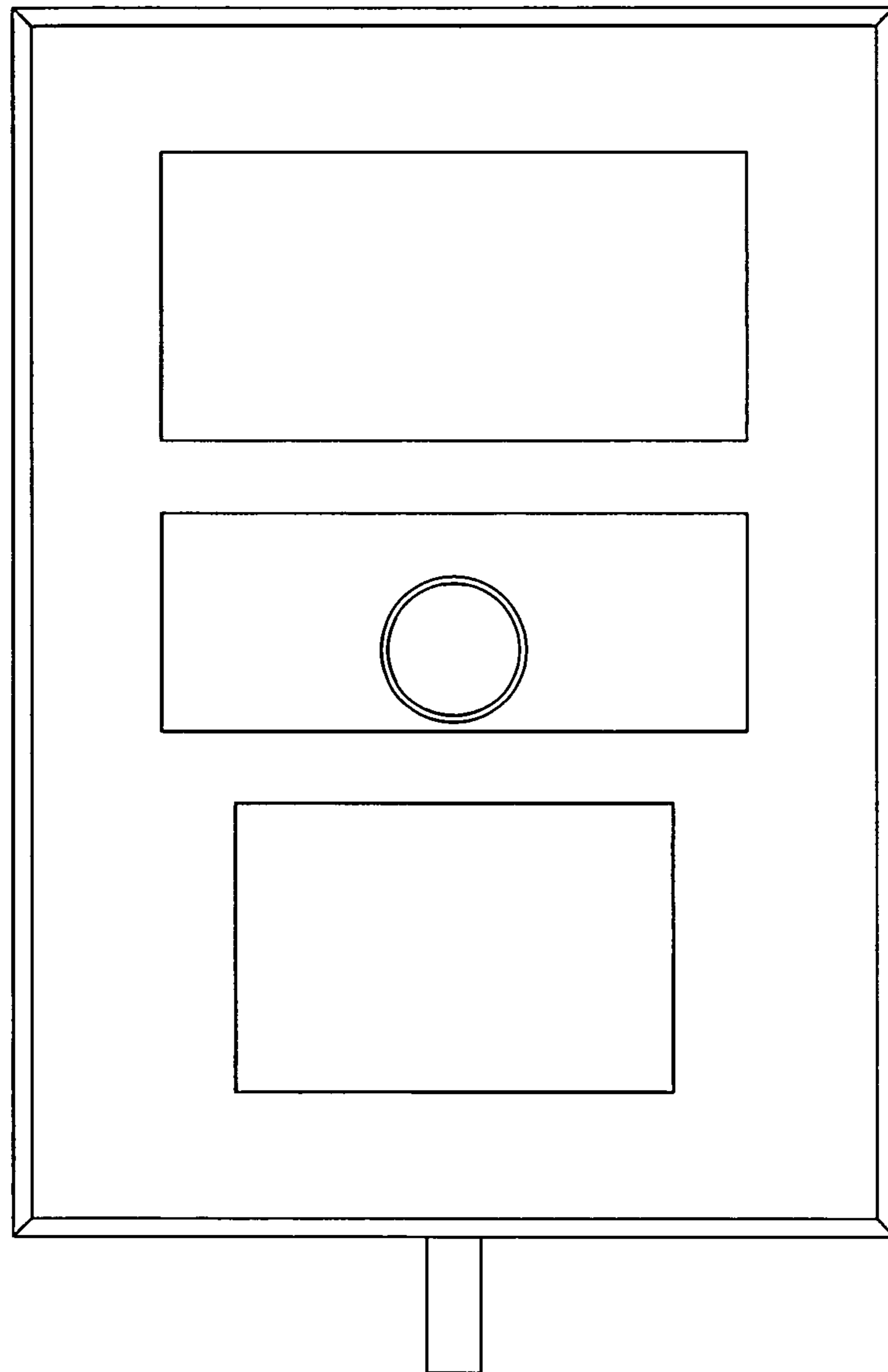


Fig. 1

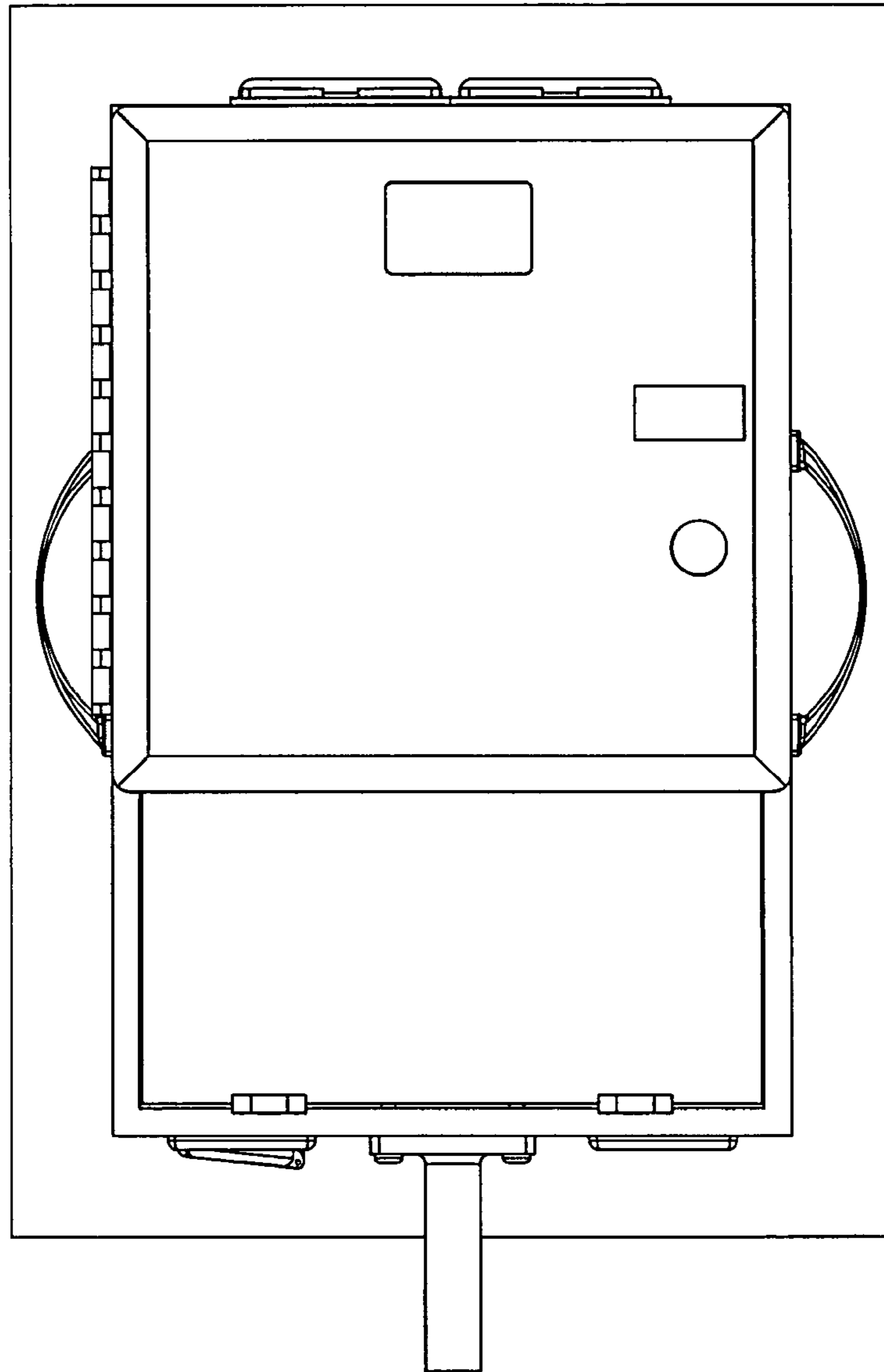


Fig. 2

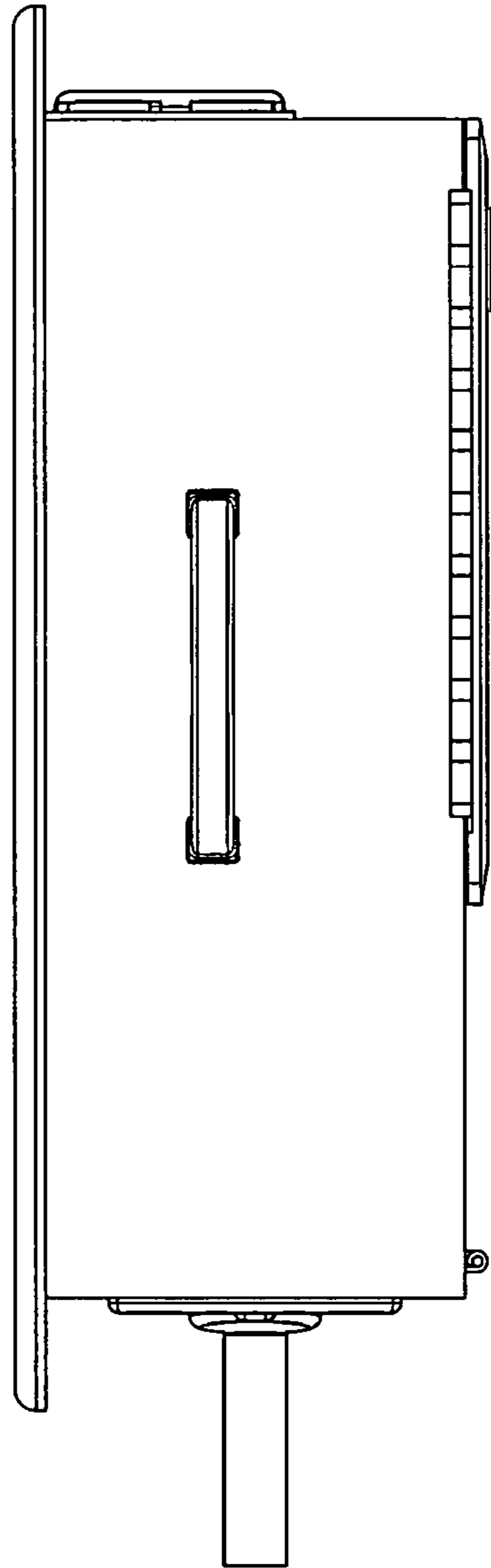


Fig. 3

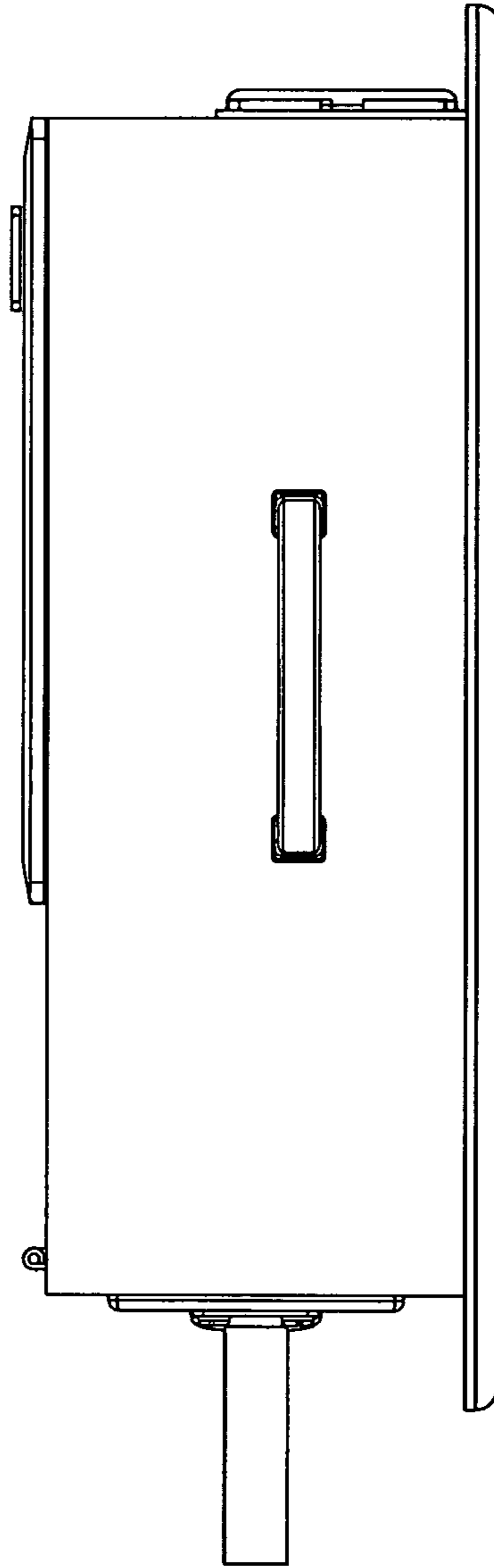


Fig. 4

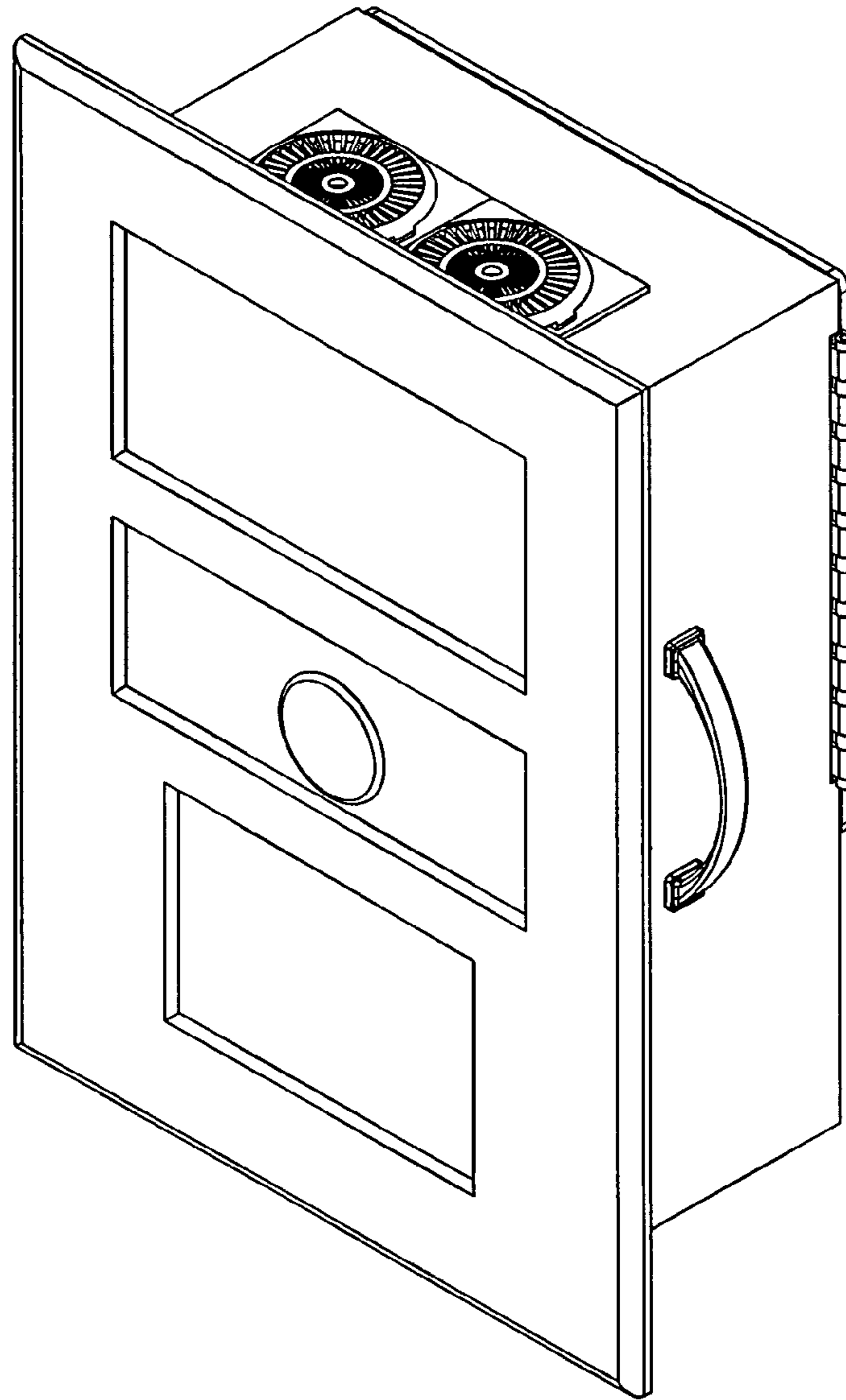


Fig. 5

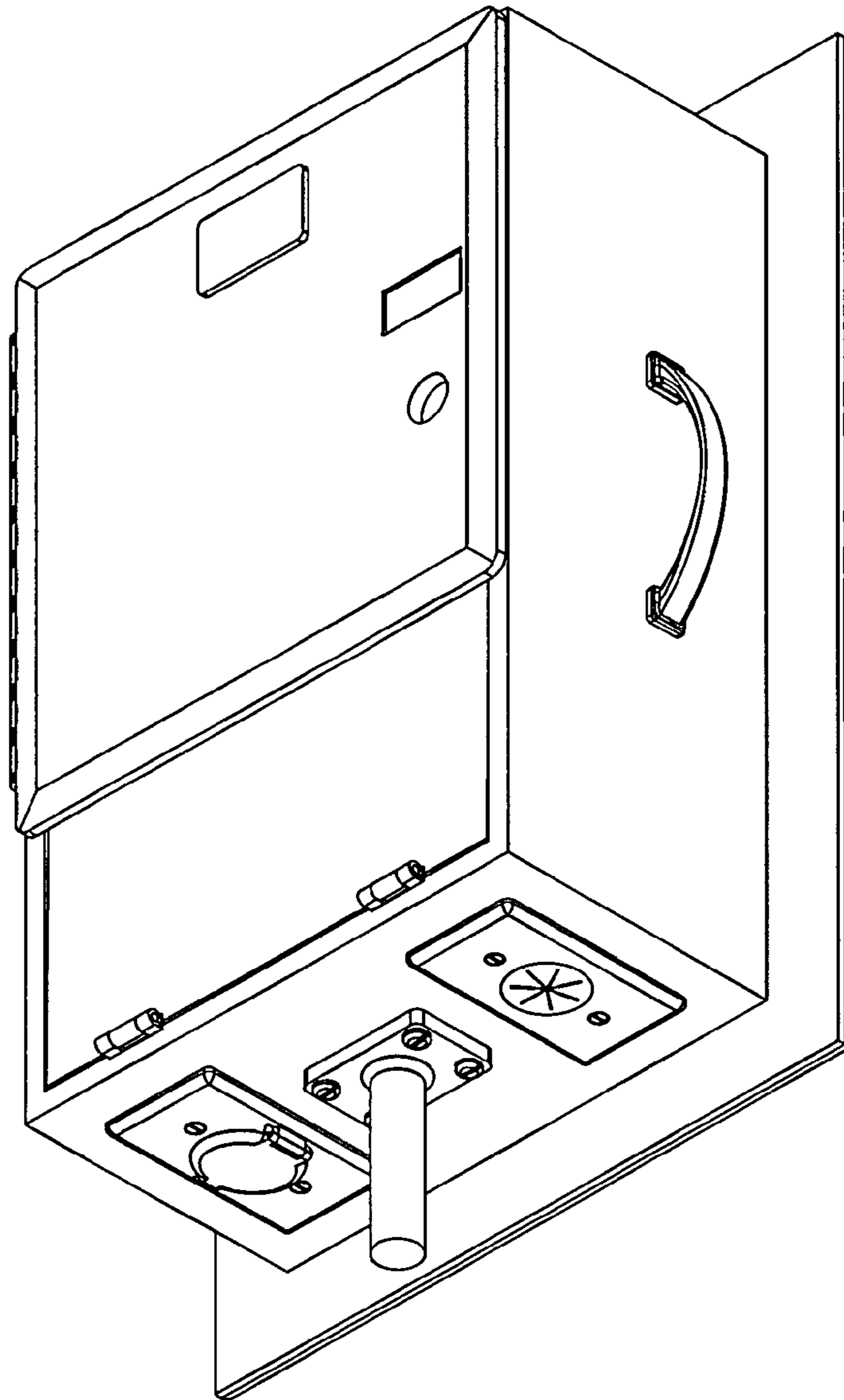


Fig. 6

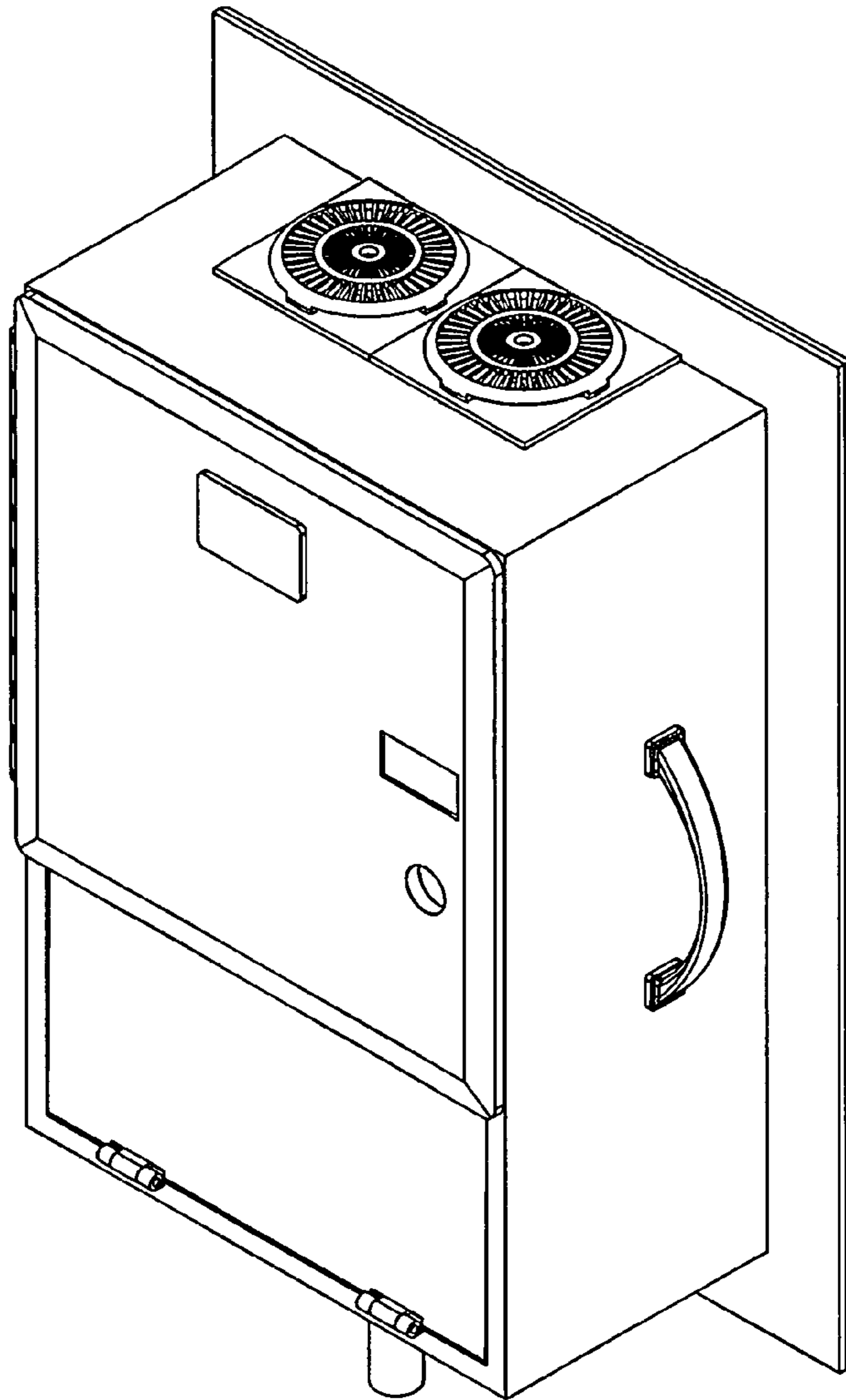


Fig. 7