

US00D727991S

(12) **United States Design Patent**
Hasegawa et al.

(10) **Patent No.:** **US D727,991 S**

(45) **Date of Patent:** **** Apr. 28, 2015**

(54) **MONITORING CAMERA**

(71) Applicant: **Panasonic Corporation**, Kadoma-shi,
Osaka (JP)

(72) Inventors: **Takashi Hasegawa**, Osaka (JP); **Atsushi Noda**, Osaka (JP); **Tadahito Ishibashi**, Osaka (JP); **Kent Ito**, Osaka (JP)

(73) Assignee: **Panasonic Intellectual Property Management Co., Ltd.**, Osaka (JP)

(**) Term: **14 Years**

(21) Appl. No.: **29/485,738**

(22) Filed: **Mar. 21, 2014**

(51) **LOC (10) Cl.** **16-01**

(52) **U.S. Cl.**
USPC **D16/203**

(58) **Field of Classification Search**
CPC G03B 1/00; G03B 7/00; G03B 13/02;
G03B 13/04; G03B 13/1963; H04N 1/00;
H04N 7/002; H04N 7/181
USPC D16/200, 202, 203, 205, 208, 218, 219;
348/143, 373-376; 396/427, 535-541
See application file for complete search history.

(56) **References Cited**

U.S. PATENT DOCUMENTS

D96,348	S	*	7/1935	Teague	D16/217
D220,406	S	*	4/1971	Hardy	D16/203
4,646,141	A	*	2/1987	Timmermans et al.	348/373
D339,365	S	*	9/1993	Urcuilio	D16/203
D441,386	S	*	5/2001	Yamazaki	D16/203
D465,504	S	*	11/2002	Van Klinken	D16/203
D504,904	S	*	5/2005	Nagai et al.	D16/203
D668,283	S	*	10/2012	Ohno et al.	D16/203
D692,939	S	*	11/2013	Huang et al.	D16/218

* cited by examiner

Primary Examiner — Adir Aronovich

(74) *Attorney, Agent, or Firm* — Brinks Gilson & Lione

(57) **CLAIM**

We claim the ornamental design for a monitoring camera, as shown and described.

DESCRIPTION

FIG. 1 is a front, top and right side perspective view of a monitoring camera of the present invention;
FIG. 2 is a rear top and right side perspective view thereof;
FIG. 3 is a front elevational view thereof;
FIG. 4 is a right side elevational view thereof;
FIG. 5 is a left side elevational view thereof;
FIG. 6 is a top plan view thereof;
FIG. 7 is a bottom plan view thereof; and,
FIG. 8 is a rear elevational view thereof.
The broken lines shown represent unclaimed subject matter and form no part of the claimed design.

1 Claim, 8 Drawing Sheets

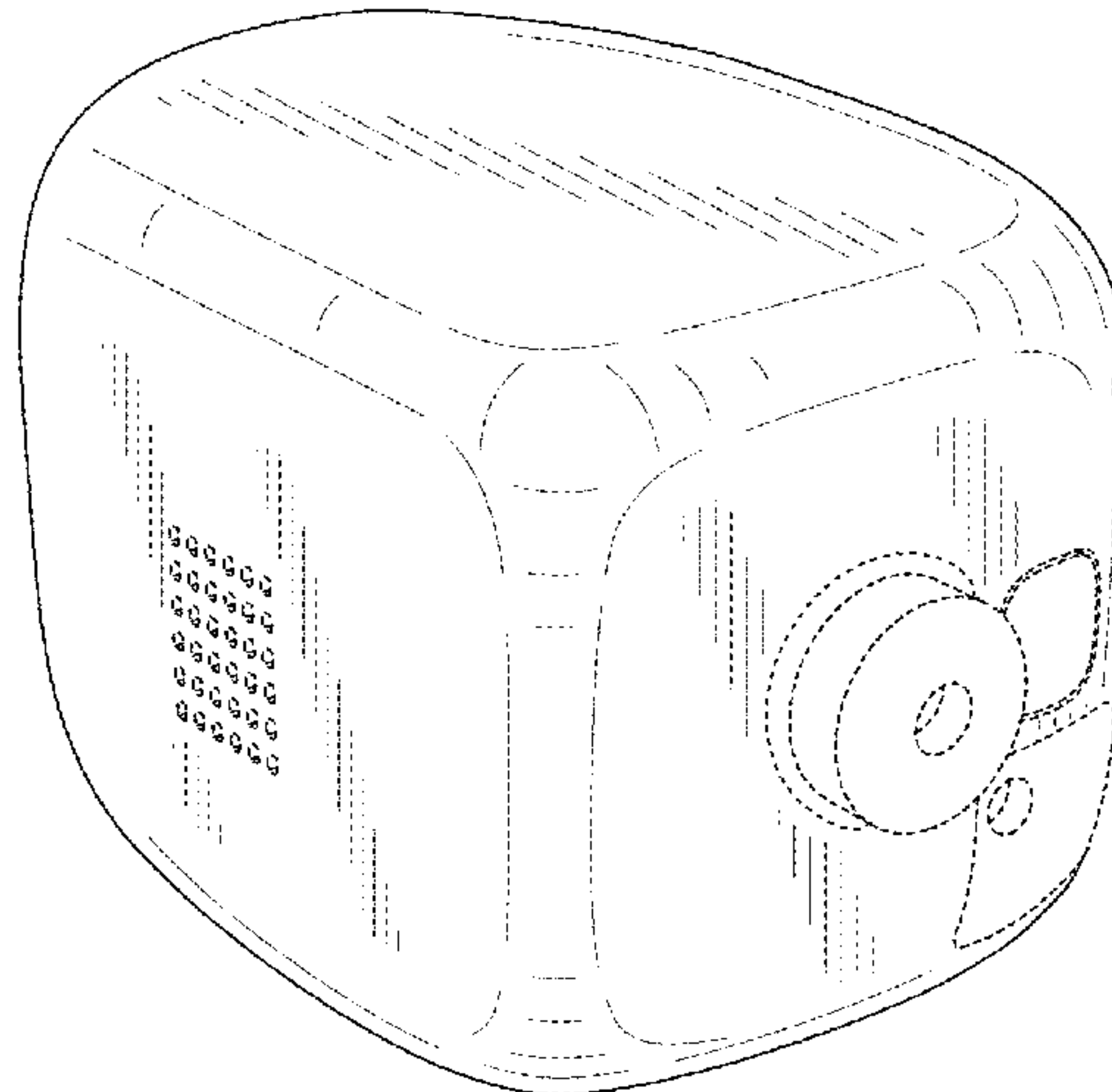
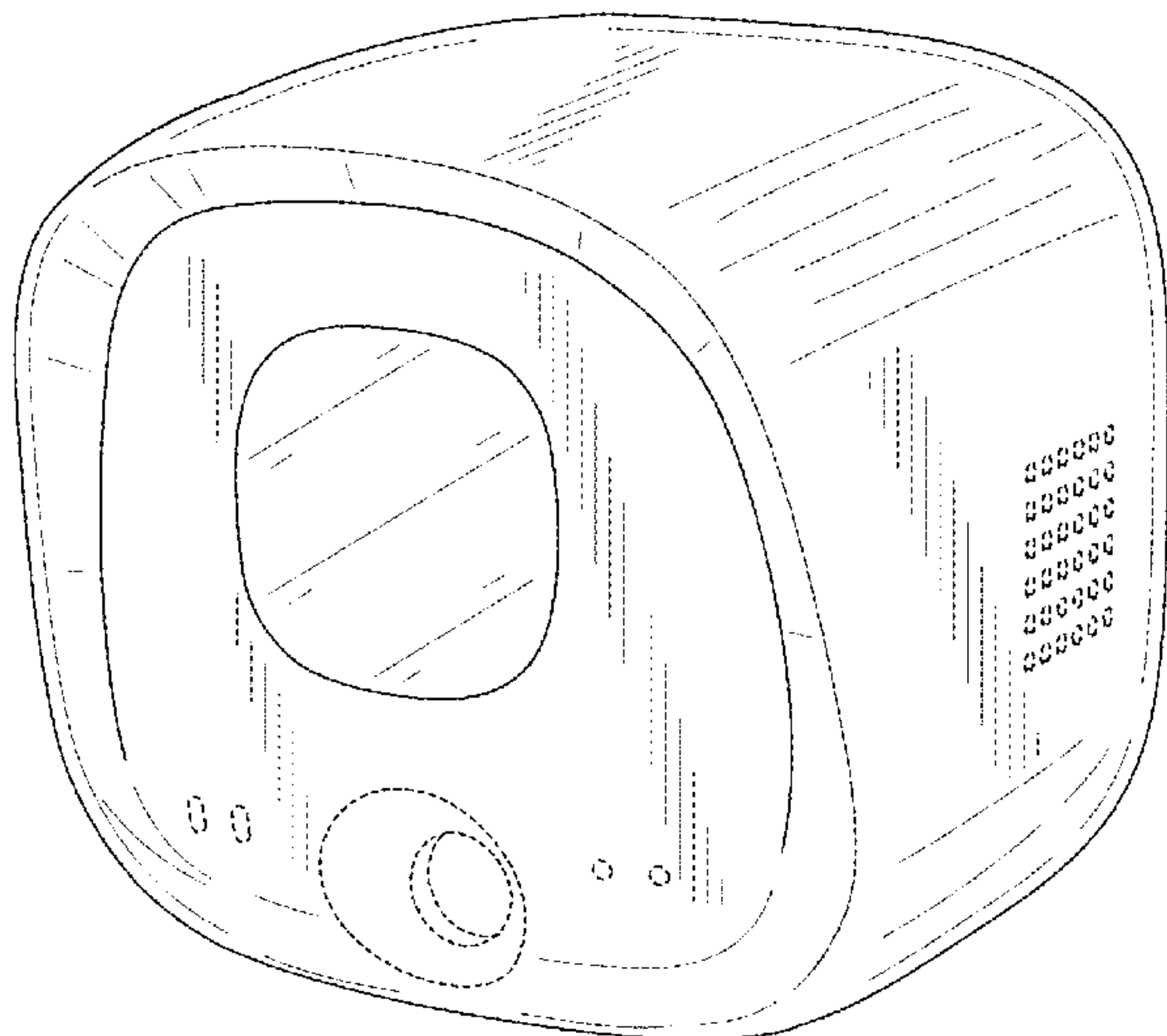


FIG. 1

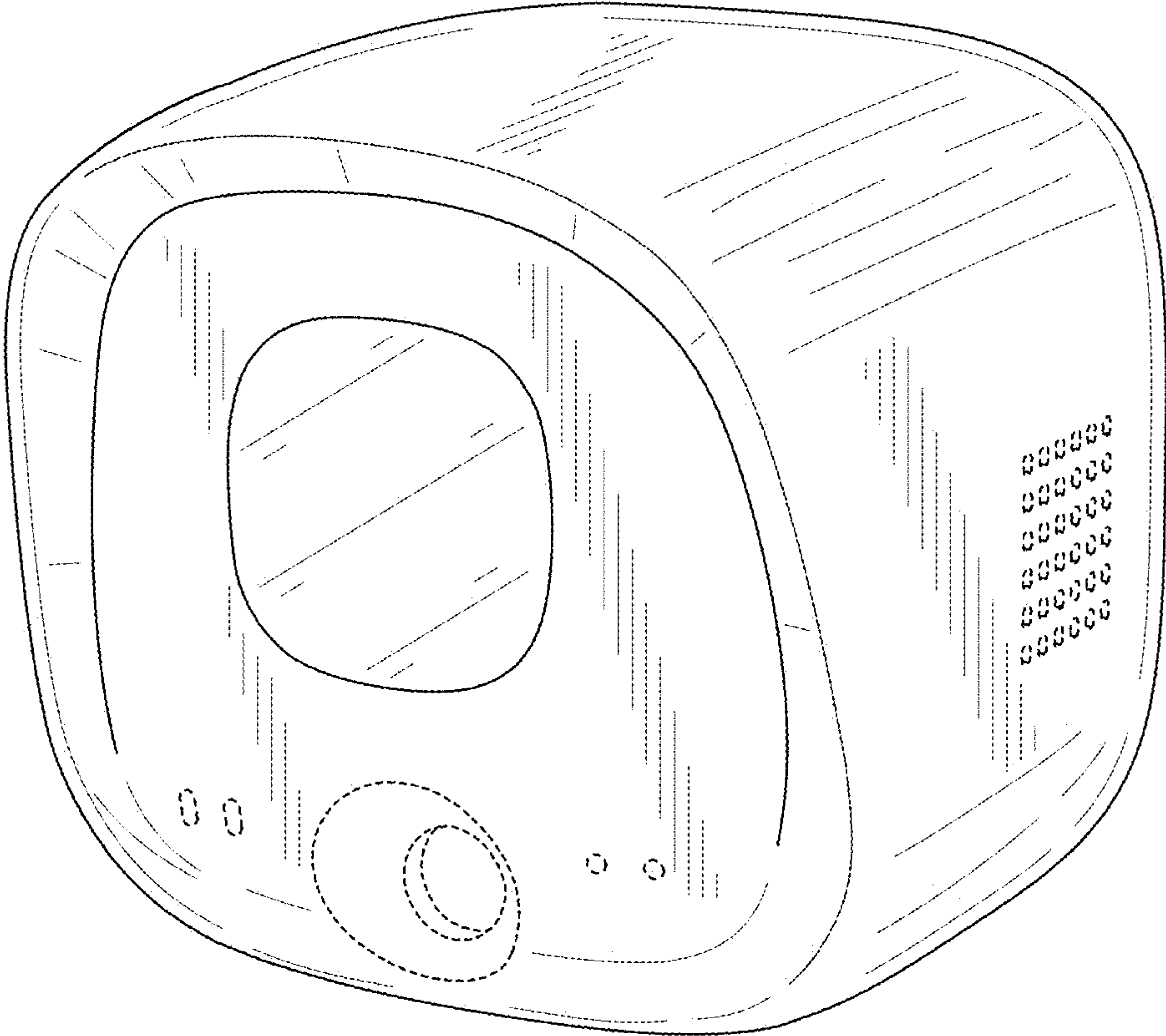


FIG.2

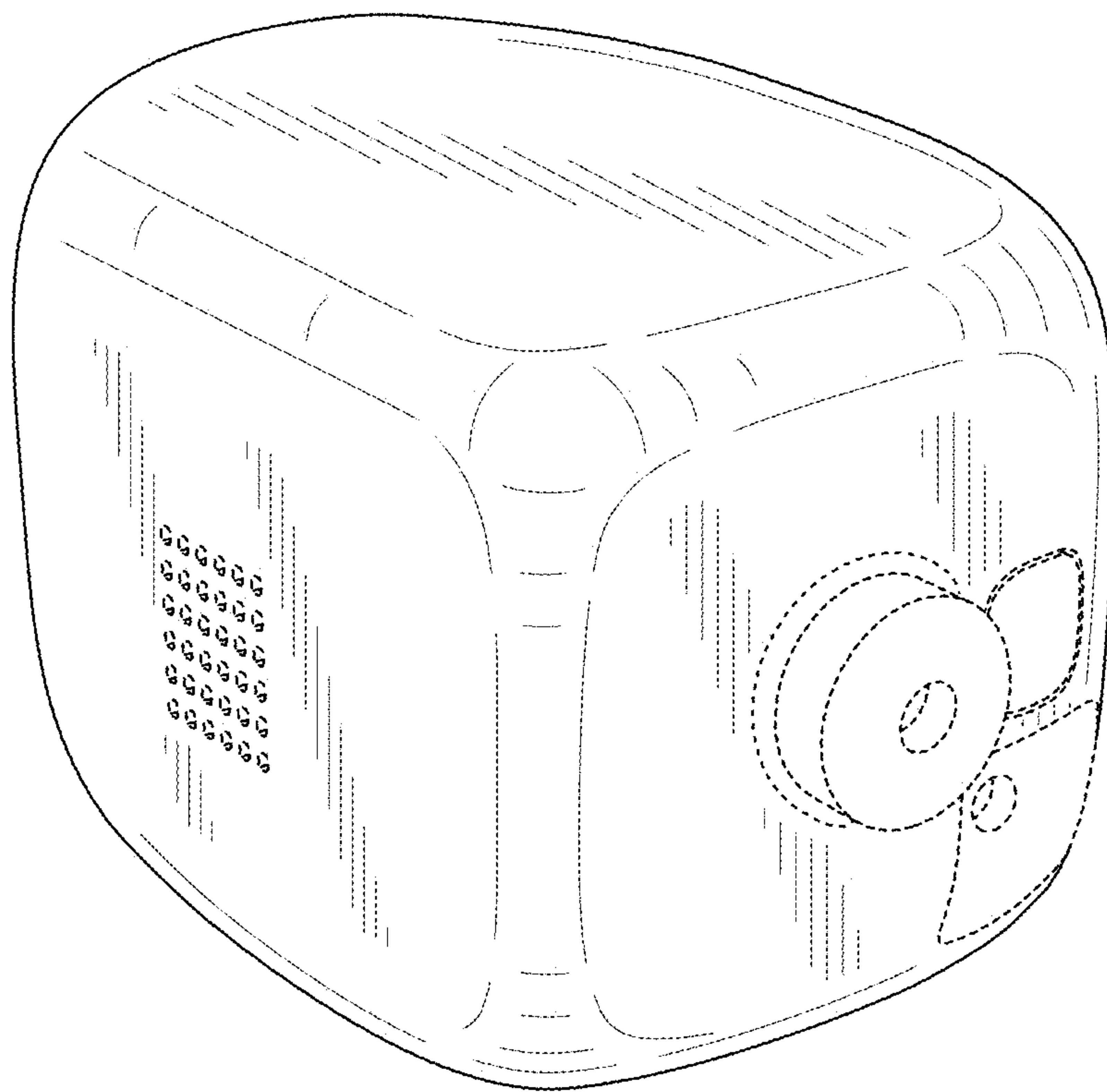


FIG.3

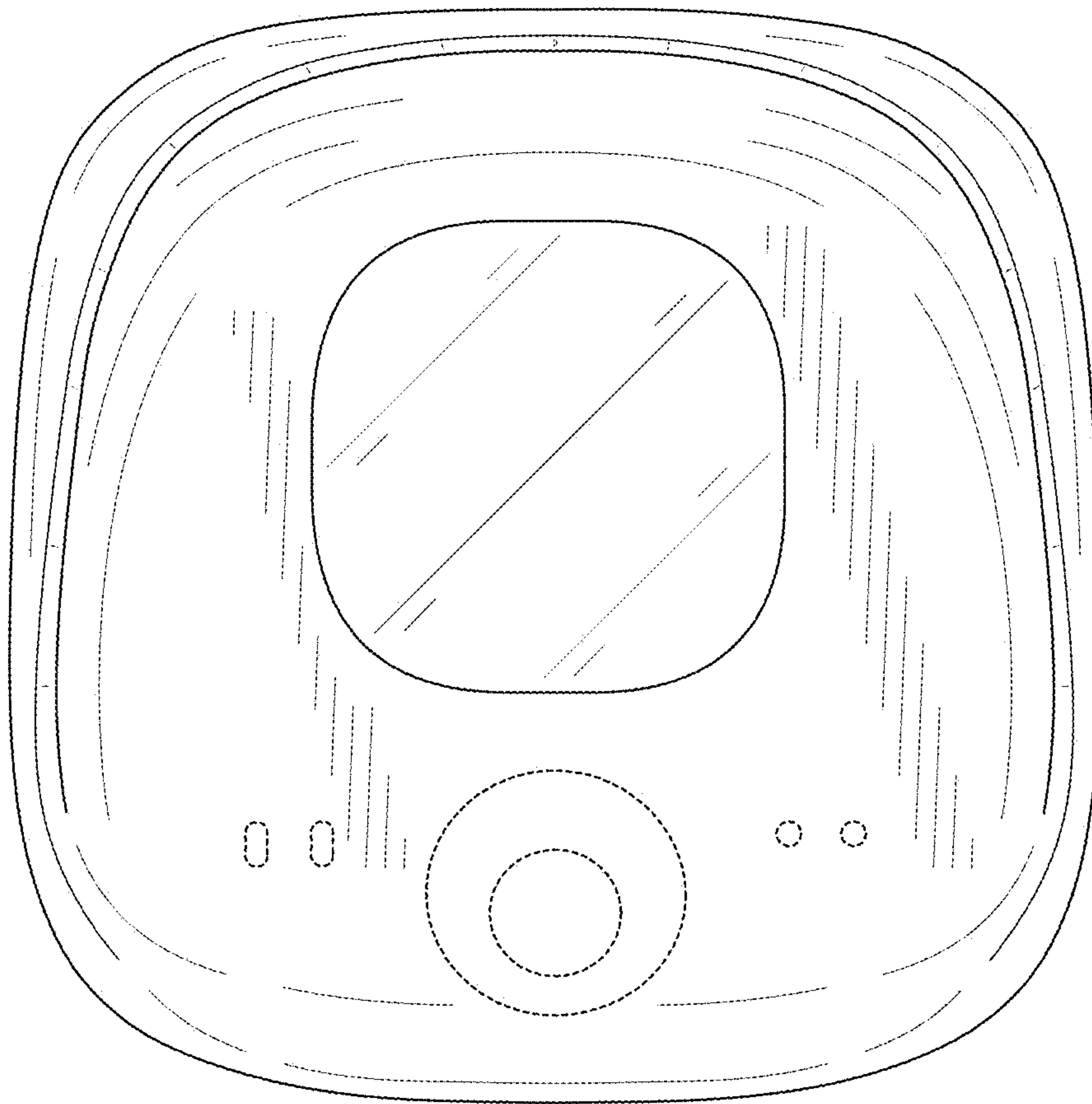


FIG.4

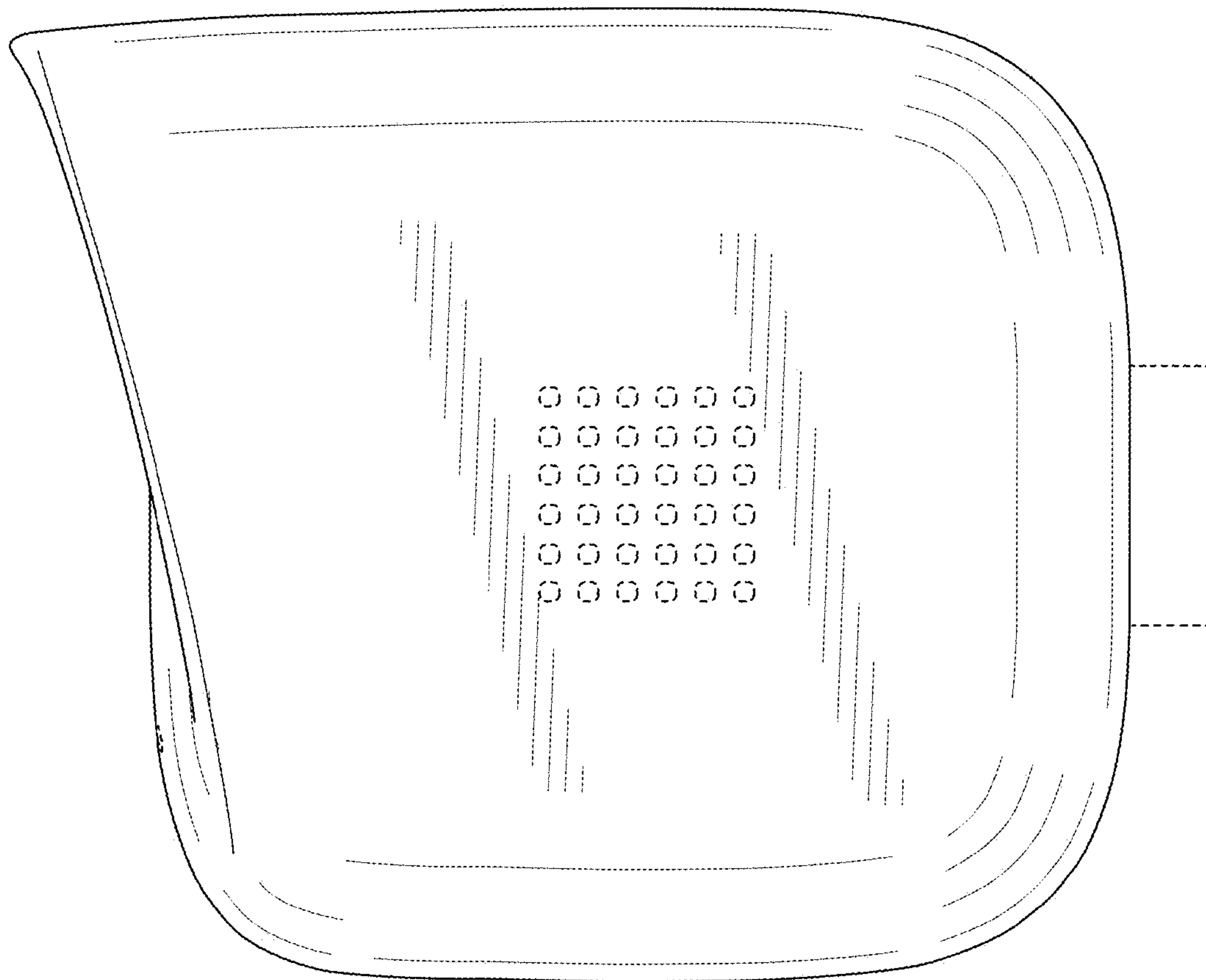


FIG.5

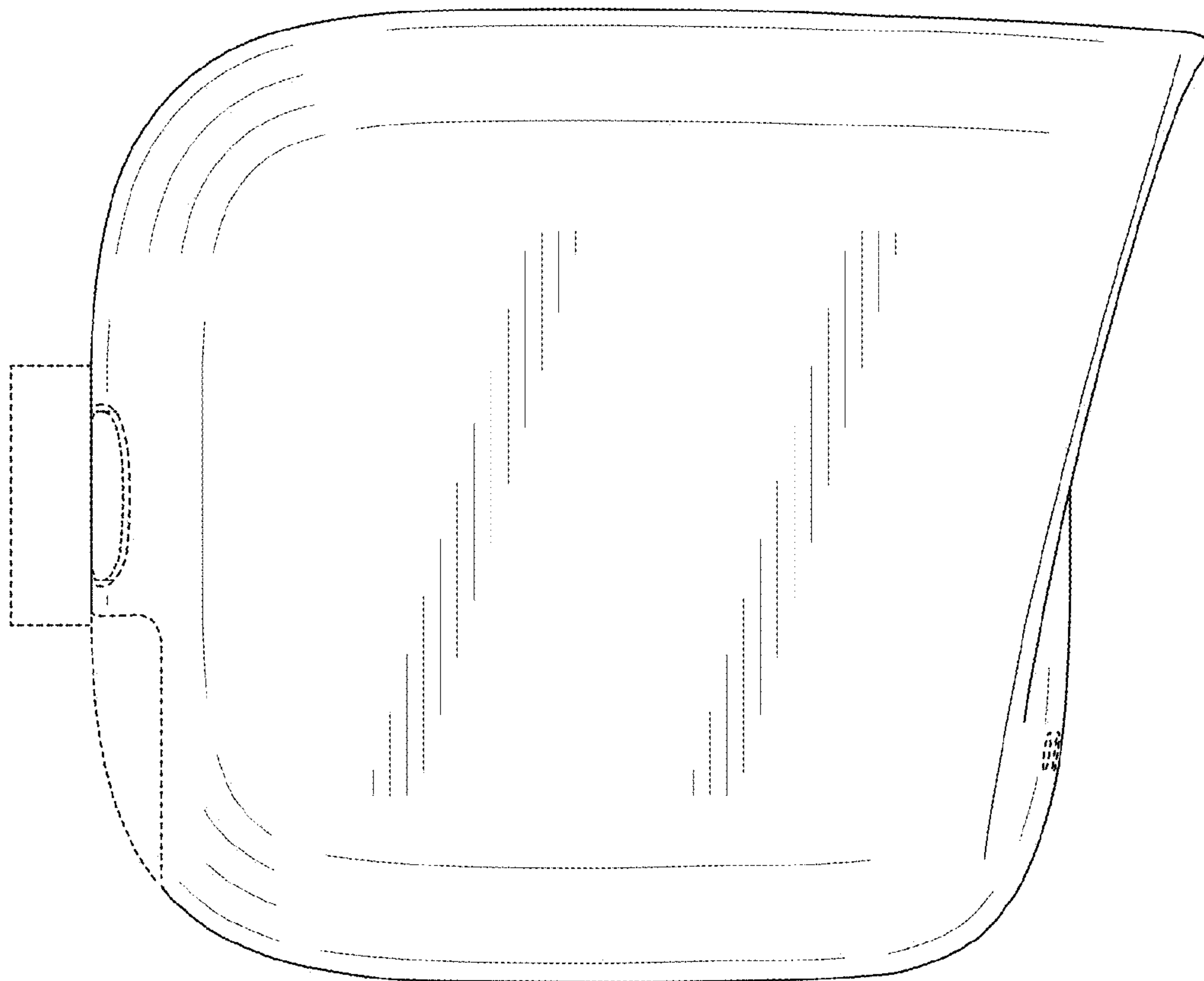


FIG.6

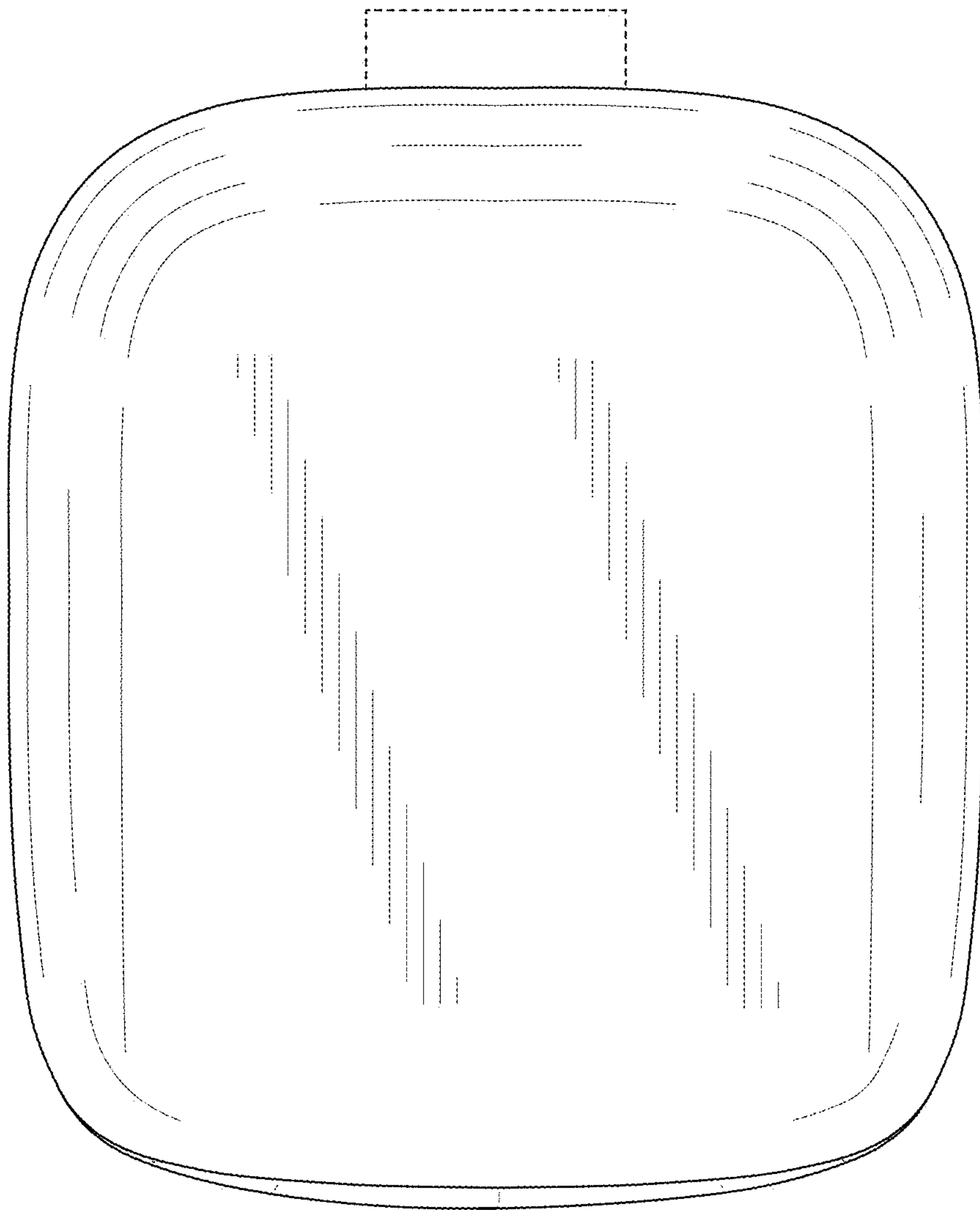


FIG. 7

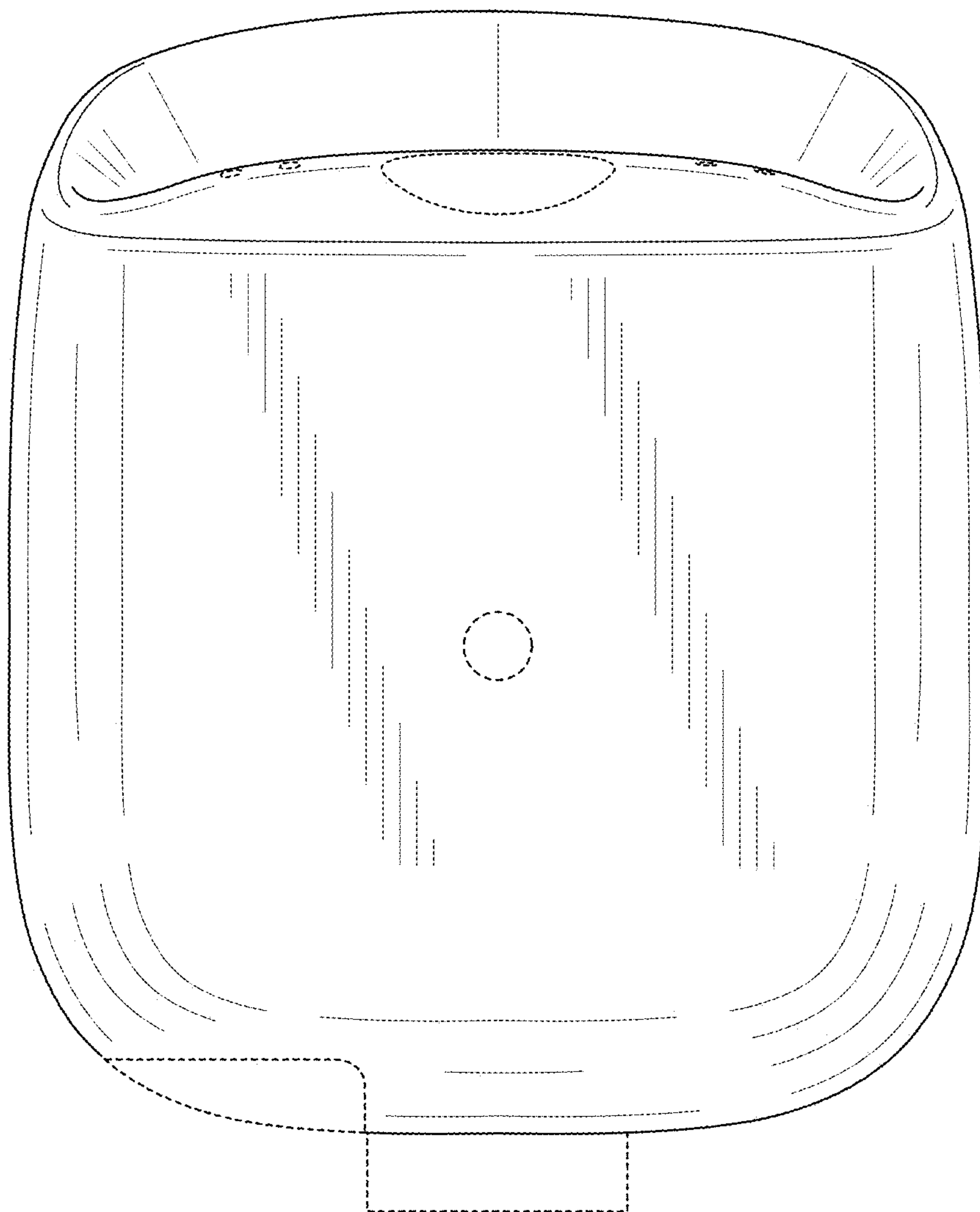


FIG.8

