



US00D727989S

(12) **United States Design Patent**
Hasuda

(10) **Patent No.:** **US D727,989 S**
(45) **Date of Patent:** **** Apr. 28, 2015**

(54) **INTERMEDIATE ADAPTER FOR A CAMERA**

(71) Applicant: **Nikon Corporation**, Tokyo (JP)

(72) Inventor: **Masanori Hasuda**, Fujisawa (JP)

(73) Assignee: **Nikon Corporation**, Tokyo (JP)

(**) Term: **14 Years**

(21) Appl. No.: **29/451,762**

(22) Filed: **Apr. 8, 2013**

Related U.S. Application Data

(62) Division of application No. 29/412,569, filed on Feb. 6, 2012.

Foreign Application Priority Data

Aug. 10, 2011 (JP) 2011-018387
Sep. 15, 2011 (JP) 2011-021128
Sep. 15, 2011 (JP) 2011-021129
Sep. 15, 2011 (JP) 2011-021130
Sep. 15, 2011 (JP) 2011-021131

(51) **LOC (10) Cl.** **16-06**

(52) **U.S. Cl.**
USPC **D16/134**

(58) **Field of Classification Search**
USPC D16/130, 134, 136, 200, 202, 204, 218,
D16/219; 359/642, 811, 819, 827, 828, 830;
396/529, 530, 531, 532; 348/373, 374,
348/375, 376; 358/909.1
See application file for complete search history.

(56) **References Cited**

U.S. PATENT DOCUMENTS

4,063,264 A * 12/1977 Ando et al. 396/531
4,118,713 A 10/1978 Murakami et al.
D251,669 S * 4/1979 Ueda et al. D16/134
4,740,058 A 4/1988 Horii et al.

D302,169 S 7/1989 Kimura et al.
5,218,484 A 6/1993 Terai
D341,611 S 11/1993 Takahashi
5,262,899 A * 11/1993 Iizuka 359/811
5,481,406 A * 1/1996 Yamazaki et al. 359/694
5,570,153 A * 10/1996 Shono 396/531
D375,969 S * 11/1996 Watanabe D16/134
D390,857 S * 2/1998 Hayamizu D16/134
D412,922 S 8/1999 Sekine
D420,029 S * 2/2000 Kimura et al. D16/134
D425,088 S * 5/2000 Watanabe D16/134
D433,044 S * 10/2000 Nagaoka et al. D16/134
D441,382 S * 5/2001 Konno et al. D16/134
6,369,960 B2 * 4/2002 Azegami 359/819
6,554,503 B2 * 4/2003 Imanari et al. 396/531
D482,377 S * 11/2003 Tajima D16/134
D523,057 S * 6/2006 Watanabe D16/219
D537,096 S * 2/2007 Tokiwa et al. D16/219
D537,461 S 2/2007 Tokiwa et al.

(Continued)

Primary Examiner — Phillip S Hyder

(74) *Attorney, Agent, or Firm* — Wolf, Greenfield & Sacks, P.C.; Randy J. Pritzker

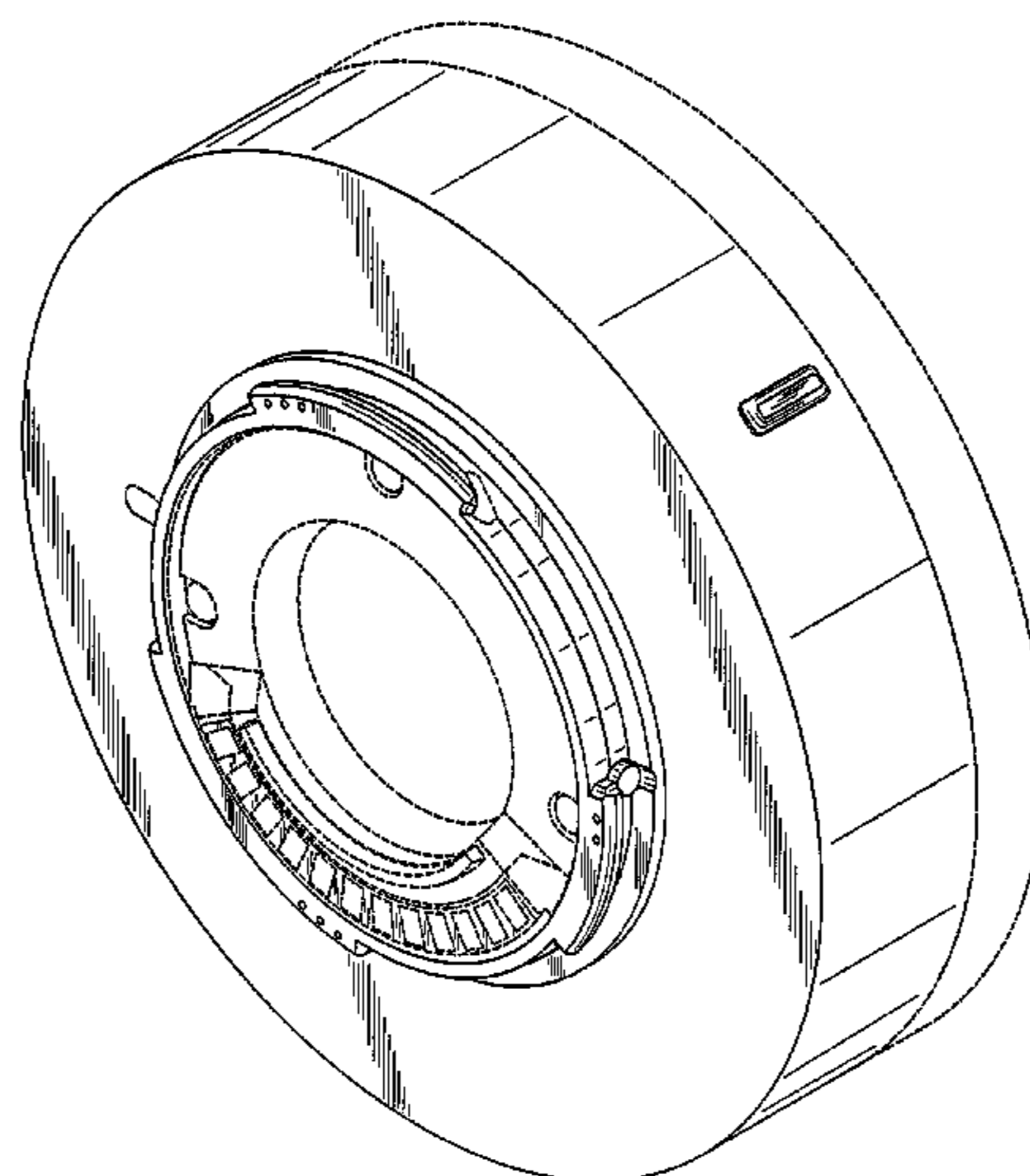
(57) **CLAIM**

The ornamental design for an intermediate adapter for a camera, as shown and described.

DESCRIPTION

FIG. 1 is a perspective view of an embodiment of an intermediate adapter for a camera showing my new design;
FIG. 2 is a rear elevational view thereof;
FIG. 3 is a top plan view thereof;
FIG. 4 is a bottom plan view thereof, rotated 180 degrees relative to FIG. 3;
FIG. 5 is a right side elevational view thereof; and,
FIG. 6 is a left side elevational view thereof.
The features shown in broken lines in the drawings depict environmental subject matter only and form no part of the claimed design. The dot-dashed lines denote the boundary of the claim and form no part of the claimed design.

1 Claim, 6 Drawing Sheets



(56)

References Cited

U.S. PATENT DOCUMENTS

D539,320 S *	3/2007	Tokiwa et al.	D16/219	7,848,634 B2 *	12/2010	Kranz et al.	396/310
D540,363 S *	4/2007	Tokiwa et al.	D16/219	7,853,137 B2 *	12/2010	Yang	396/71
D549,263 S	8/2007	Tokiwa et al.		7,961,411 B2 *	6/2011	Lee	359/819
D549,264 S *	8/2007	Tokiwa	D16/219	7,988,372 B2 *	8/2011	Lee et al.	396/531
D552,147 S *	10/2007	Tajima	D16/219	8,002,483 B2 *	8/2011	Fujiwara et al.	396/531
D559,884 S *	1/2008	Tokiwa	D16/219	8,027,576 B2 *	9/2011	Lai	396/25
7,593,169 B2 *	9/2009	Ouchi	359/702	D665,837 S	8/2012	Tainaka	
7,625,144 B2 *	12/2009	Kranz et al.	396/529	D670,751 S	11/2012	Koyama et al.	
7,798,137 B2 *	9/2010	Ewing	124/86	D671,586 S	11/2012	Asano et al.	
7,798,731 B2	9/2010	Kurosawa		2010/0226023 A1	9/2010	Lee	
				2011/0274424 A1 *	11/2011	Fujiwara et al.	396/532
				2012/0039595 A1	2/2012	Youn	

* cited by examiner

FIG. 1

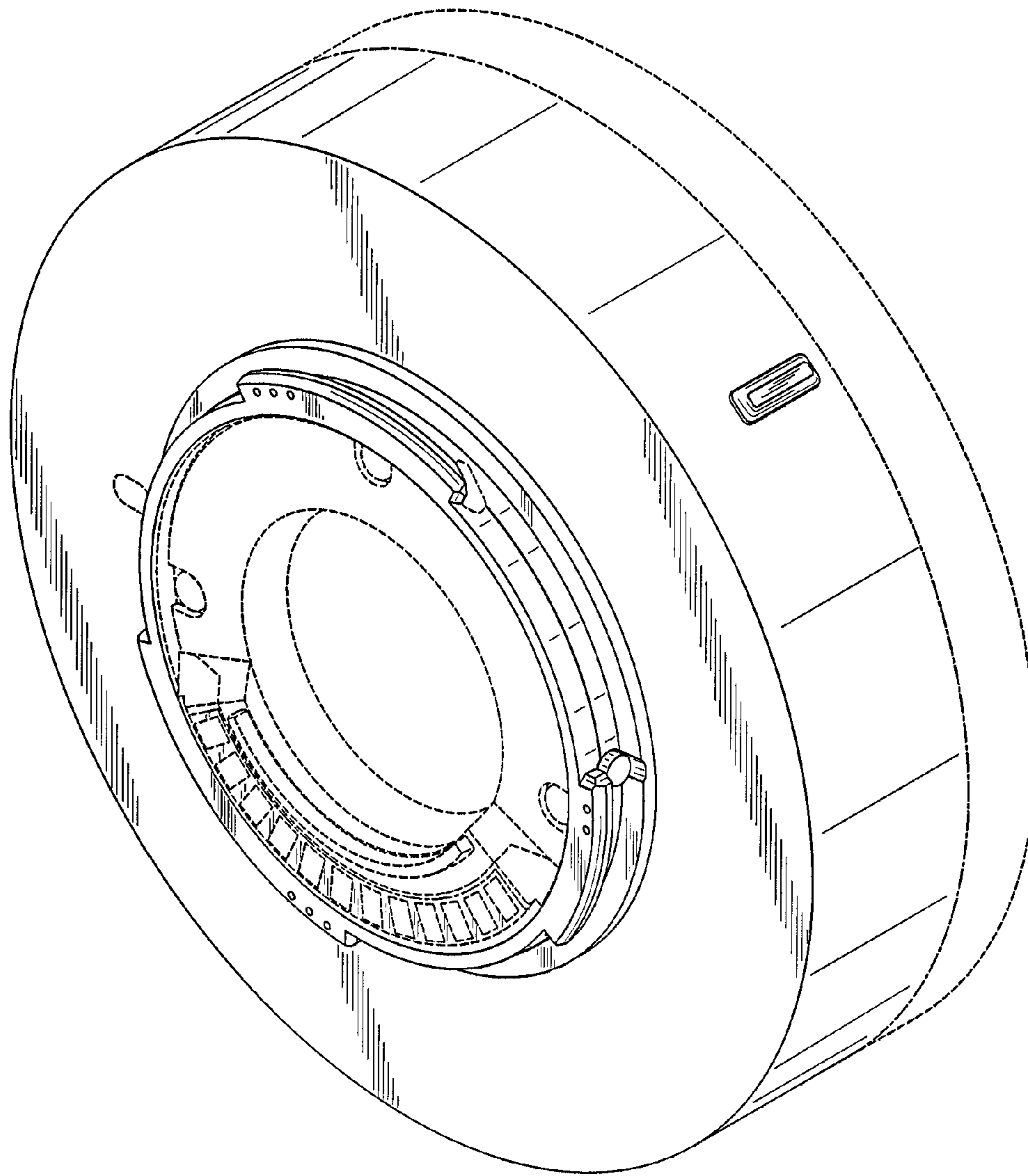


FIG. 2

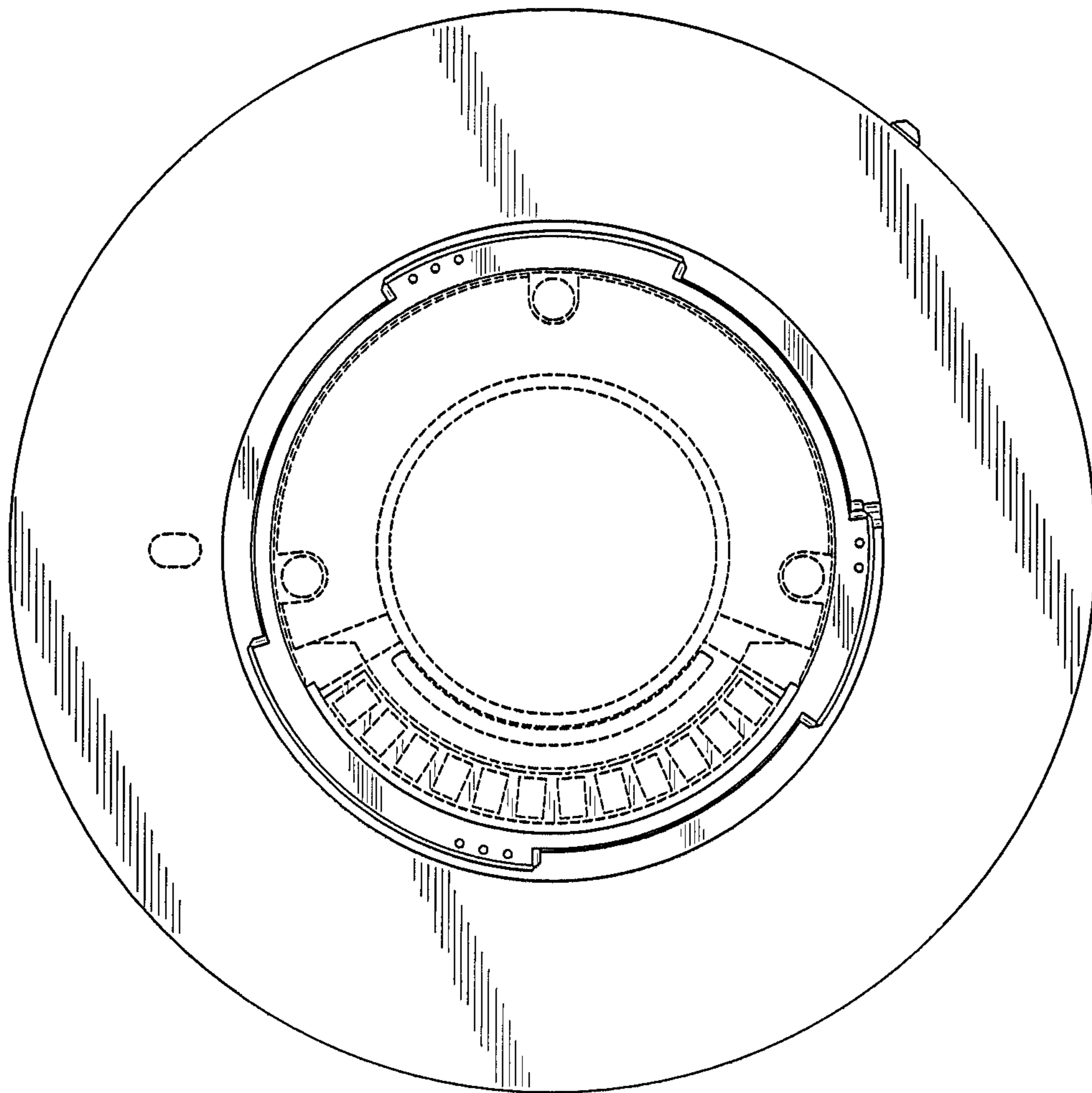


FIG. 3

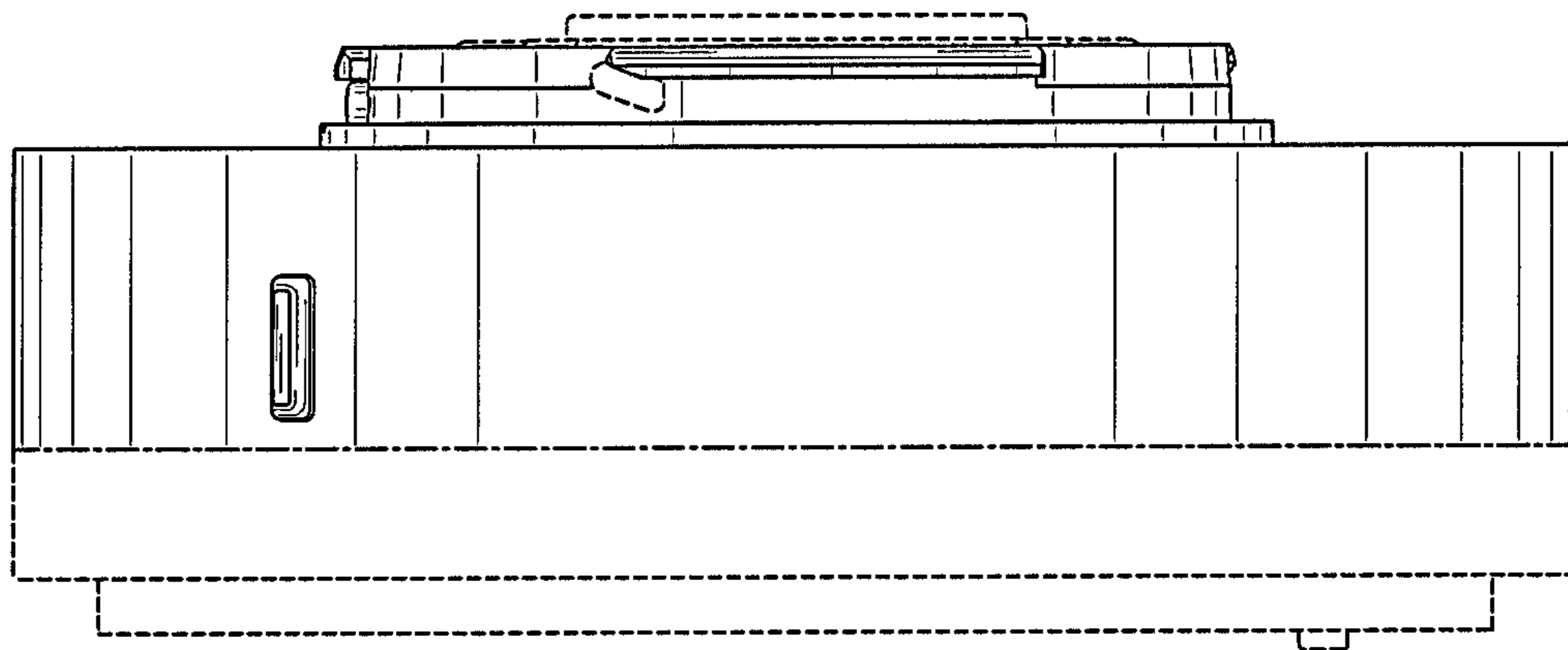


FIG. 4

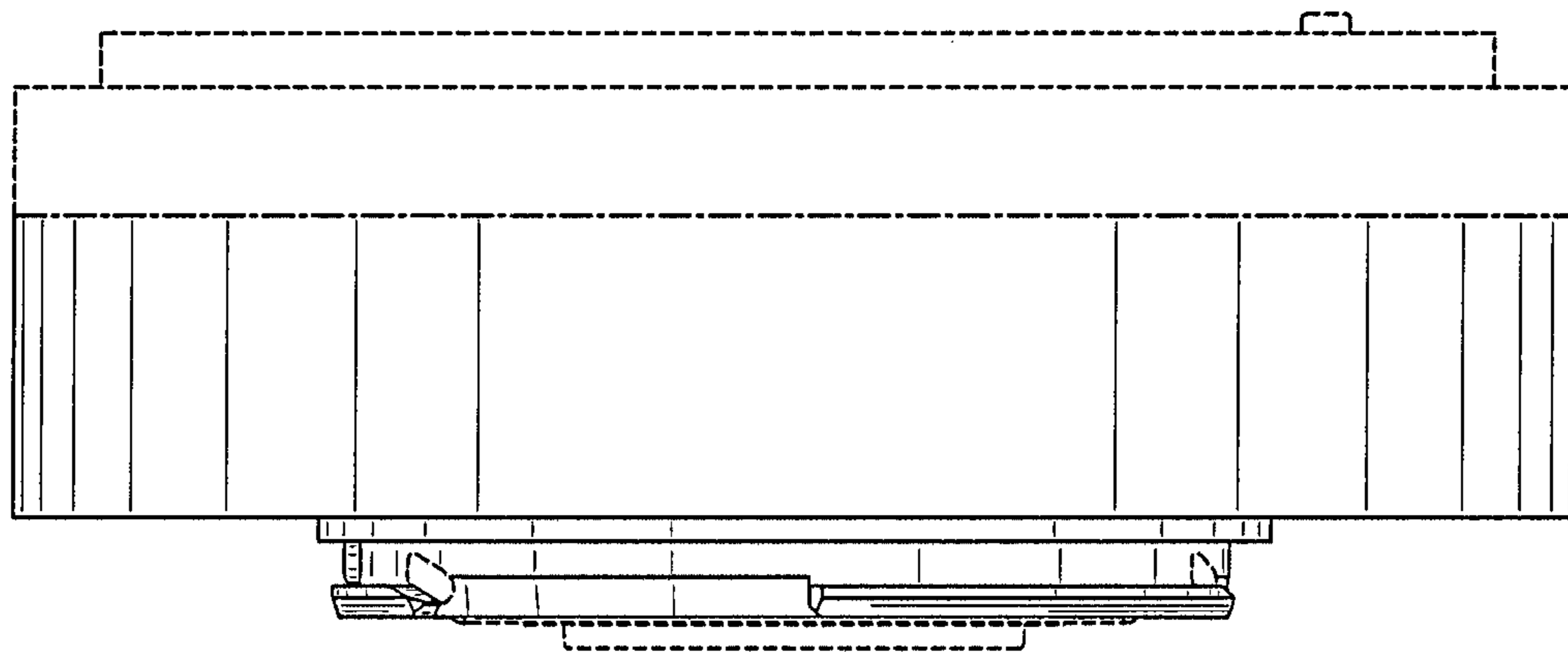


FIG. 5

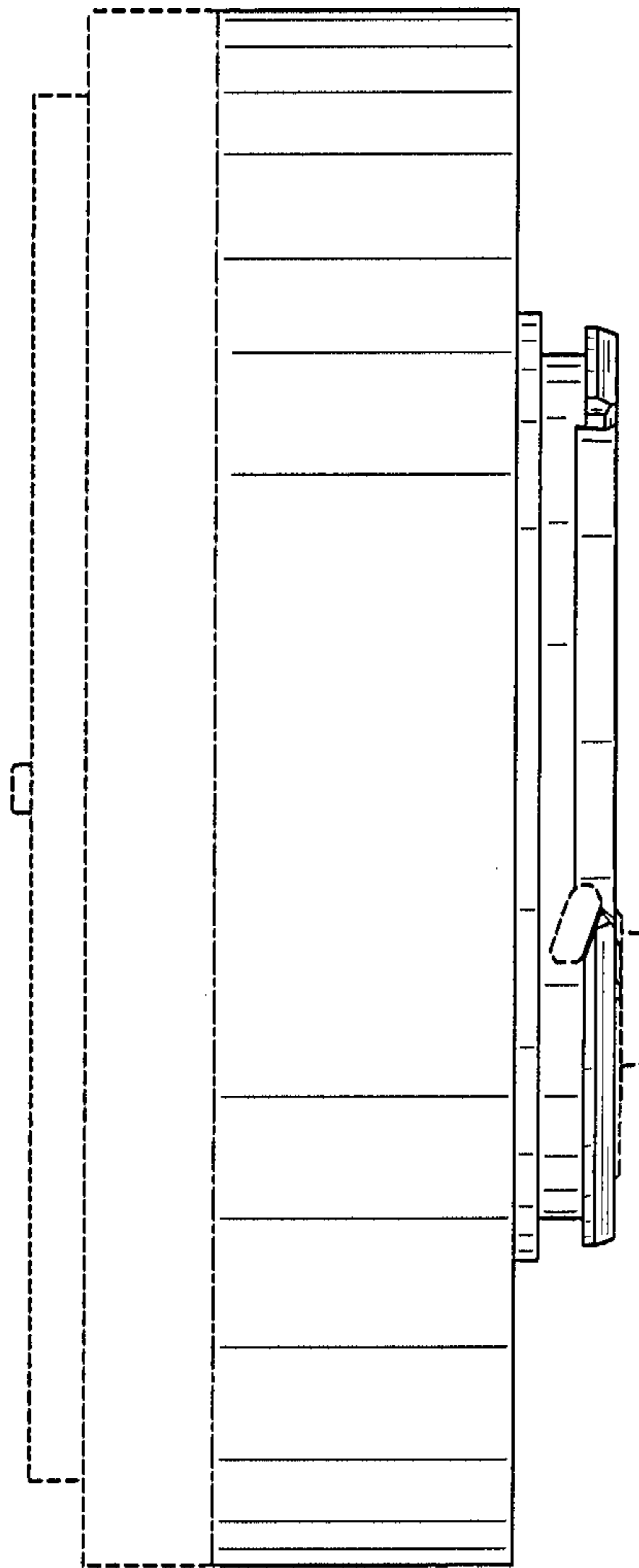


FIG. 6

