



US00D727986S

(12) **United States Design Patent**
Matiash et al.

(10) **Patent No.:** **US D727,986 S**
(45) **Date of Patent:** **** Apr. 28, 2015**

(54) **WELDING SYSTEM WIRE FEEDER DESIGN**

(75) Inventors: **Nicholas Alexander Matiash**, Oshkosh, WI (US); **Michael Allen Sammons**, Appleton, WI (US); **Jeffrey Michael Herb**, Appleton, WI (US)

(73) Assignee: **Illinois Tool Works Inc.**, Glenview, IL (US)

(**) Term: **14 Years**

(21) Appl. No.: **29/431,522**

(22) Filed: **Sep. 7, 2012**

(51) **LOC (10) Cl.** **15-09**

(52) **U.S. Cl.**
USPC **D15/144**

(58) **Field of Classification Search**
USPC D8/29.1, 30; D15/144, 144.1, 144.2; 219/125.1, 130, 130.5, 132, 133, 241, 219/424, 606; 222/146.5, 152, 156, 189.06, 222/397; 228/8, 20, 51, 111.5
See application file for complete search history.

(56) **References Cited**

U.S. PATENT DOCUMENTS

D243,459 S *	2/1977	Bliss	D15/144
D275,293 S *	8/1984	Bouman	D15/144
D357,263 S *	4/1995	Soderholm	D15/144.2
D357,927 S *	5/1995	Soderholm	D15/144.1
D416,030 S *	11/1999	Weller et al.	D15/144.1
D434,428 S *	11/2000	Krieck	D15/144.2
D445,812 S *	7/2001	Shimizu et al.	D15/144
6,870,131 B2 *	3/2005	Achtner et al.	219/130.1
7,241,973 B1 *	7/2007	Di Novo et al.	219/137.9
D556,798 S *	12/2007	Franco	D15/144
D558,803 S *	1/2008	Gisler et al.	D15/144
D569,883 S *	5/2008	Wang	D15/144

D569,884 S *	5/2008	Shu	D15/144
D606,102 S *	12/2009	Bender et al.	D15/144
D621,430 S *	8/2010	Christen et al.	D15/144
D652,436 S *	1/2012	Ostlund et al.	D15/144
D665,833 S *	8/2012	Raymond et al.	D15/144
D679,738 S *	4/2013	Segala	D15/144
8,431,863 B2 *	4/2013	Kindig	219/130.1
D709,934 S *	7/2014	Ross et al.	D15/144.2
8,794,290 B2 *	8/2014	Hamlin, III	156/499

* cited by examiner

Primary Examiner — Patricia Palasik

(74) *Attorney, Agent, or Firm* — Fletcher Yoder P.C.

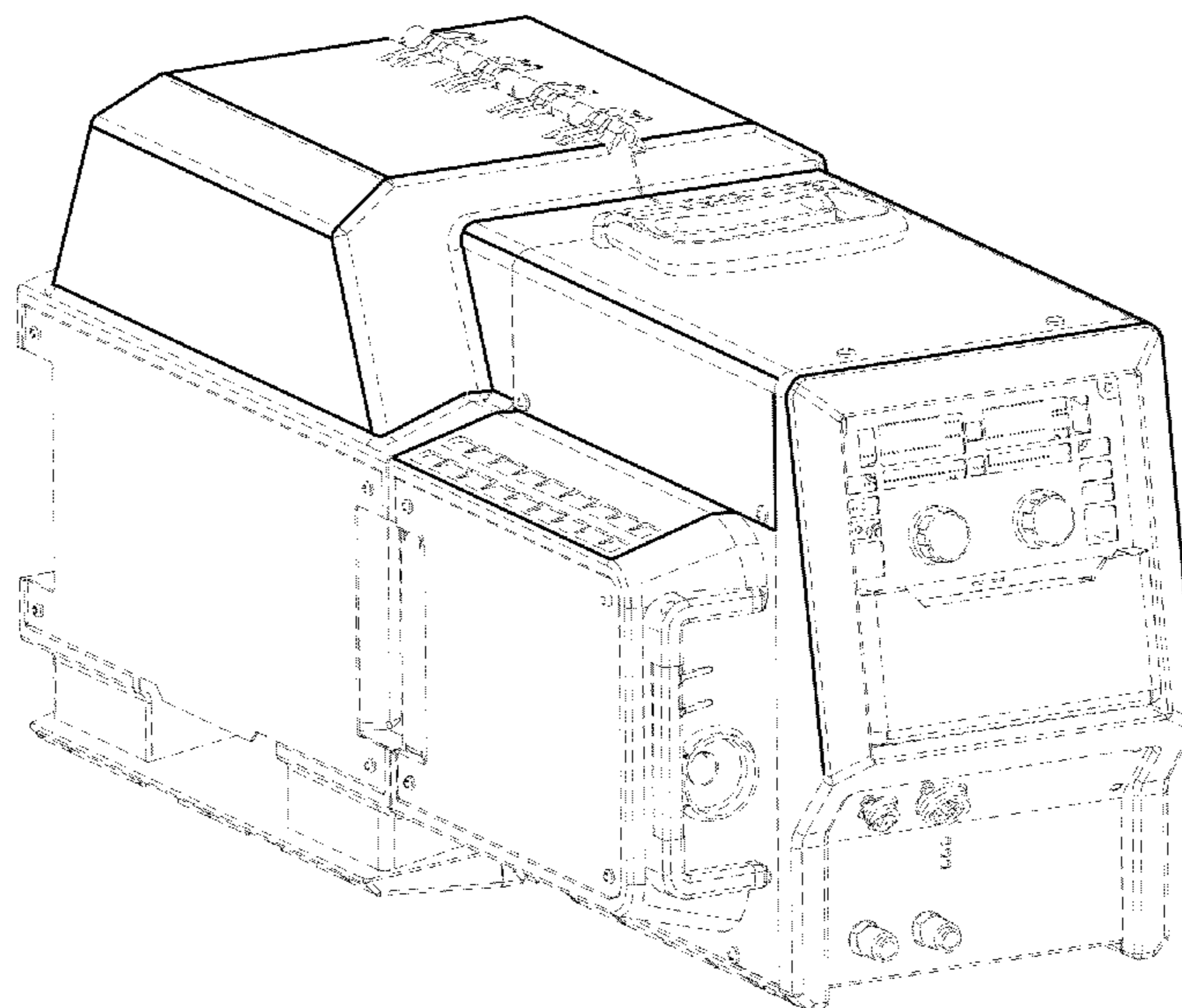
(57) **CLAIM**

The ornamental design for a welding system wire feeder, as shown and described.

DESCRIPTION

FIG. 1 is a perspective view of the design for the welding system wire feeder;
 FIG. 2 is a left side view of the design for the welding system wire feeder of FIG. 1;
 FIG. 3 is a right side view of the design for the welding system wire feeder of FIG. 1;
 FIG. 4 is a front view of the design for the welding system wire feeder of FIG. 1;
 FIG. 5 is a rear view of the design for the welding system wire feeder of FIG. 1;
 FIG. 6 is a top view of the design for the welding system wire feeder of FIG. 1; and,
 FIG. 7 is a bottom view of the design for the welding system wire feeder of FIG. 1.
 In these drawings, the solid lines illustrate the claimed ornamental design, whereas the broken lines illustrate environmental features that form no part of the claimed ornamental design.

1 Claim, 7 Drawing Sheets



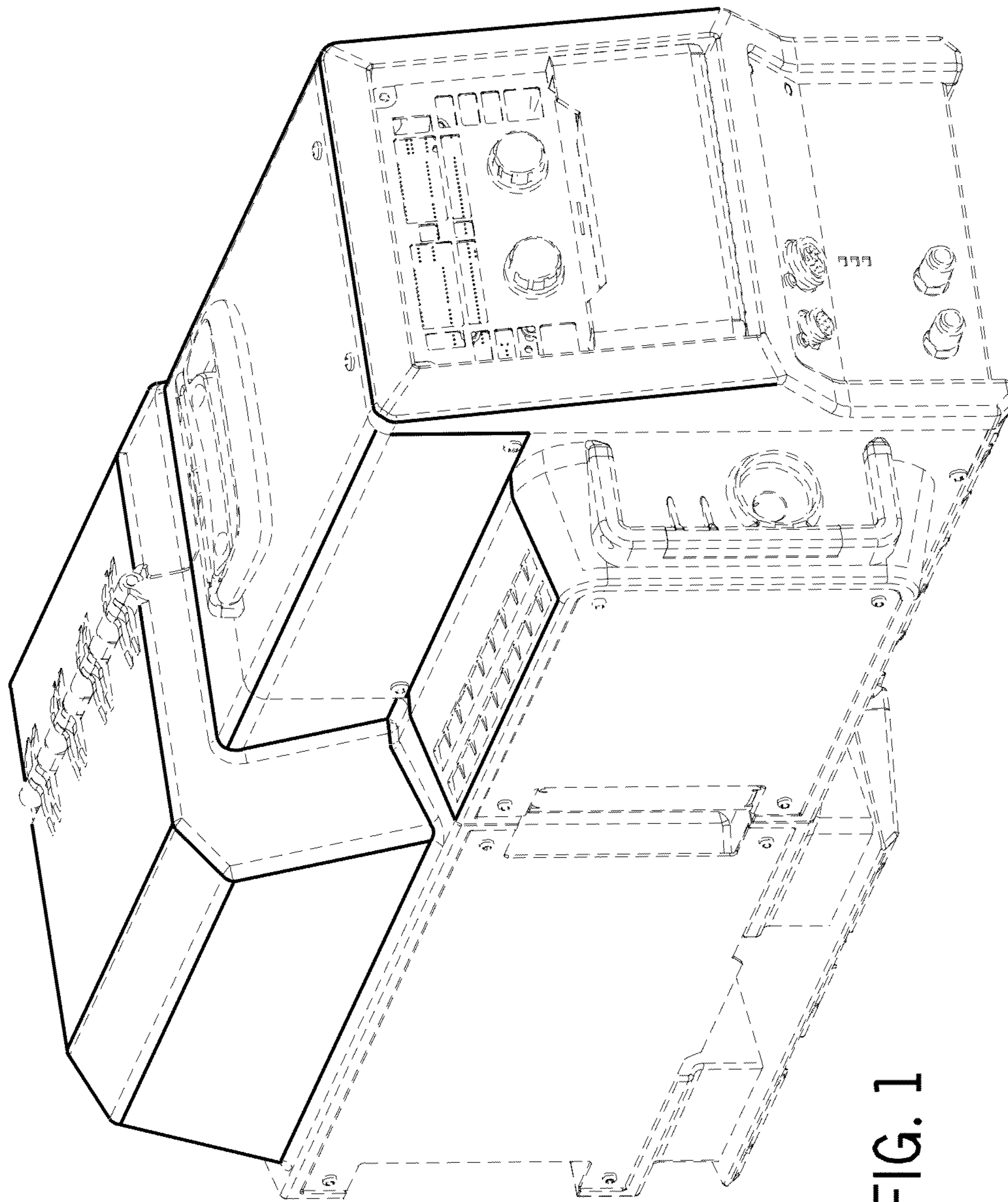


FIG. 1

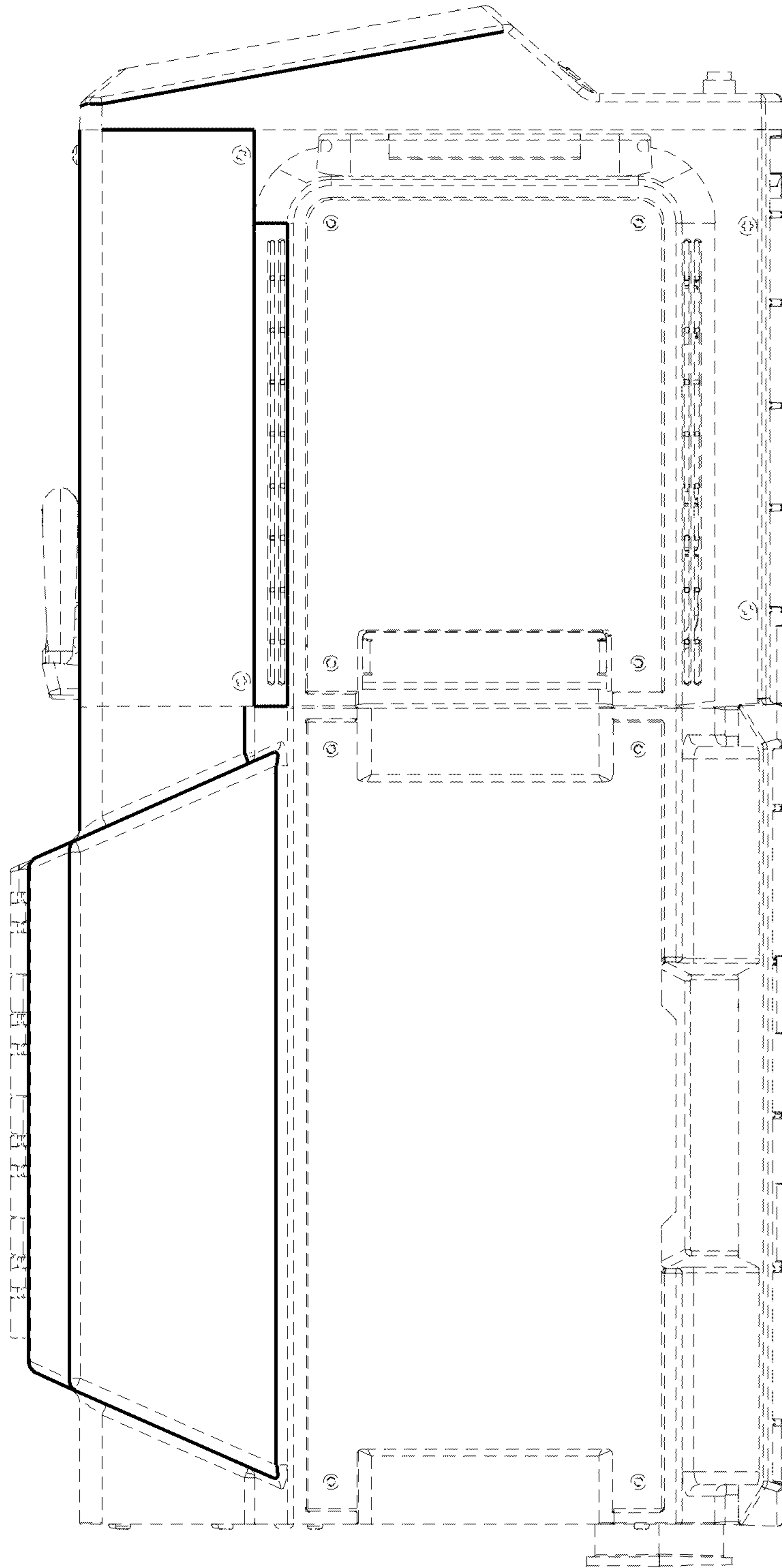


FIG. 2

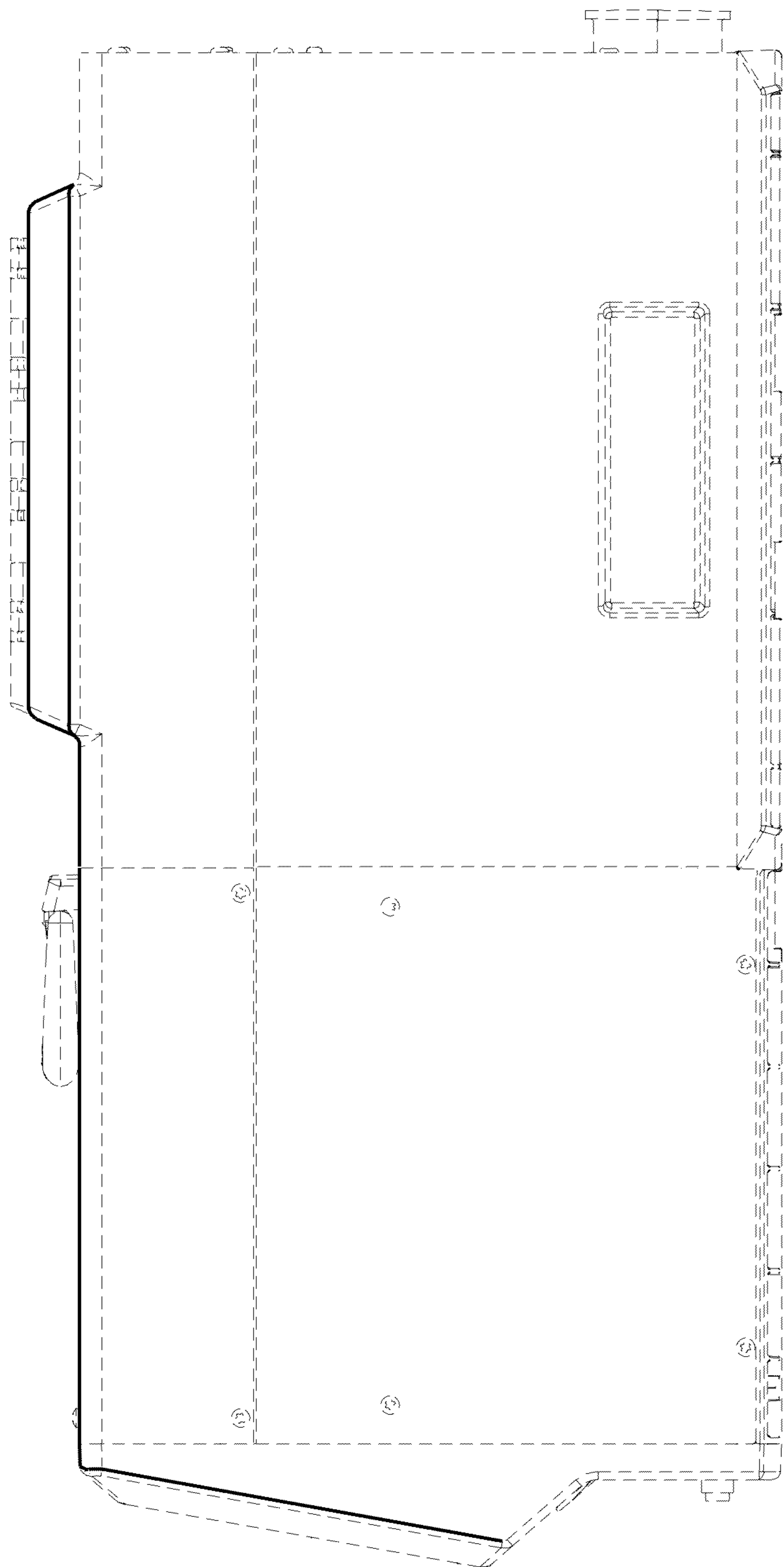


FIG. 3

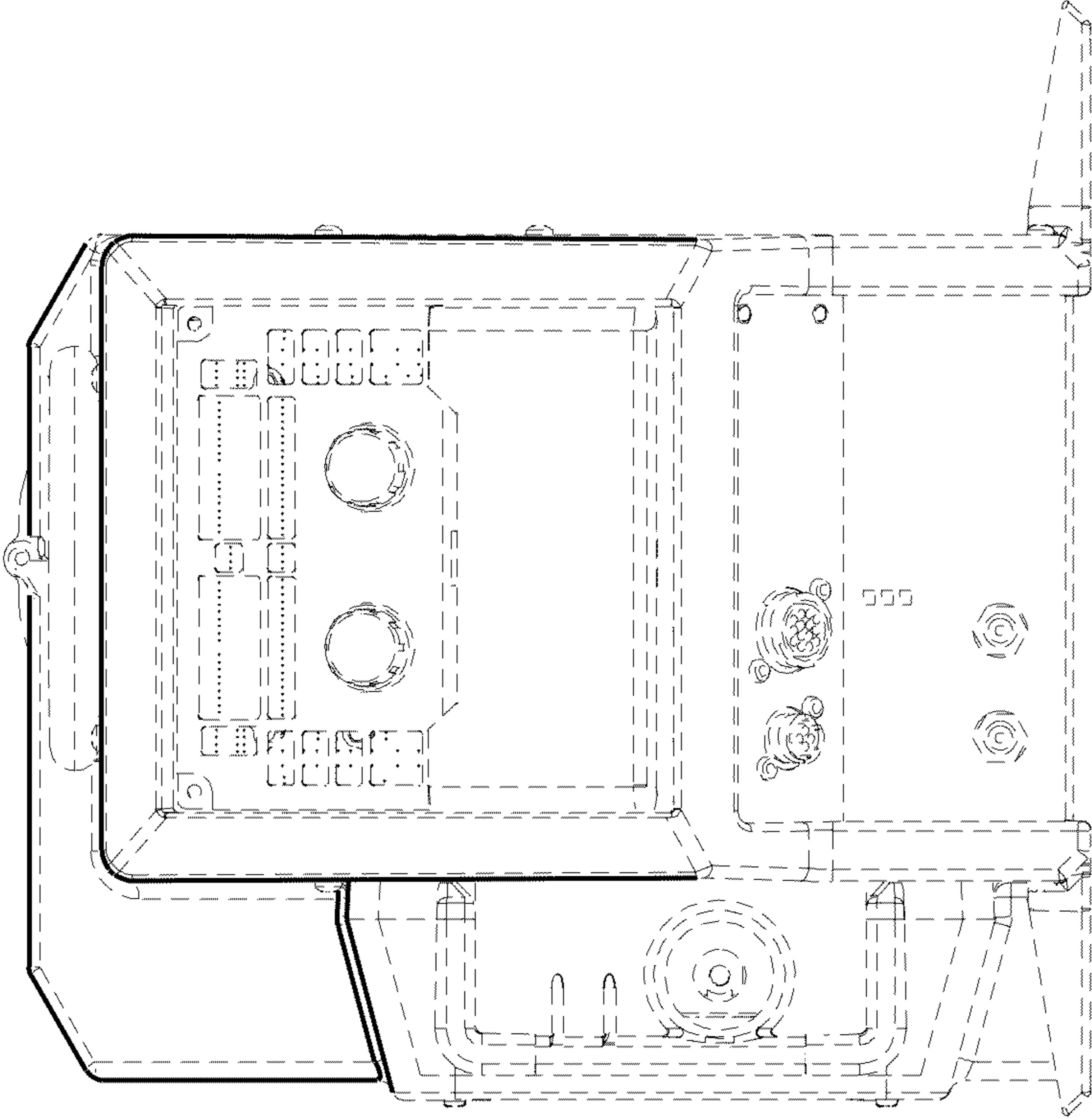


FIG. 4

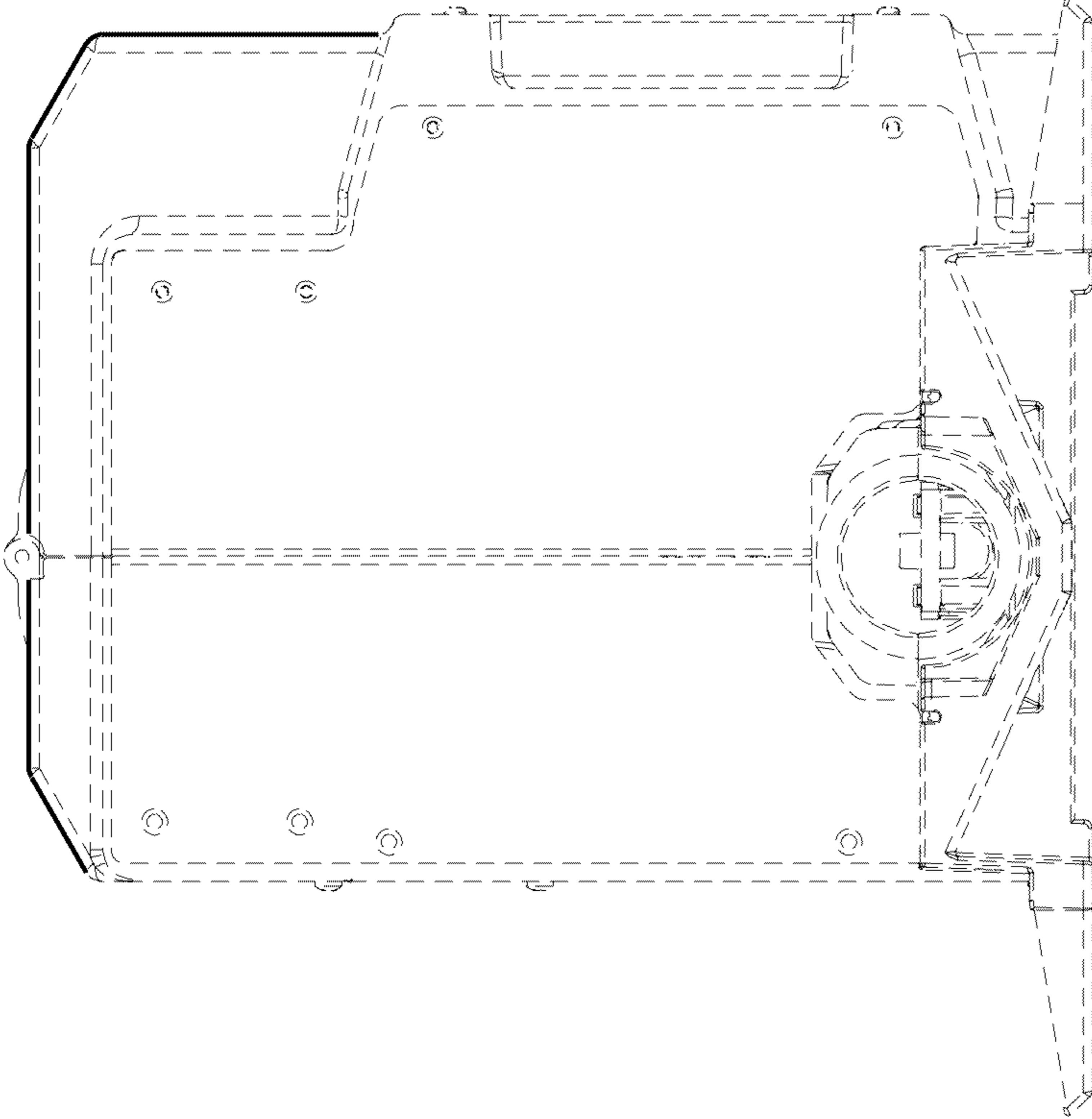


FIG. 5

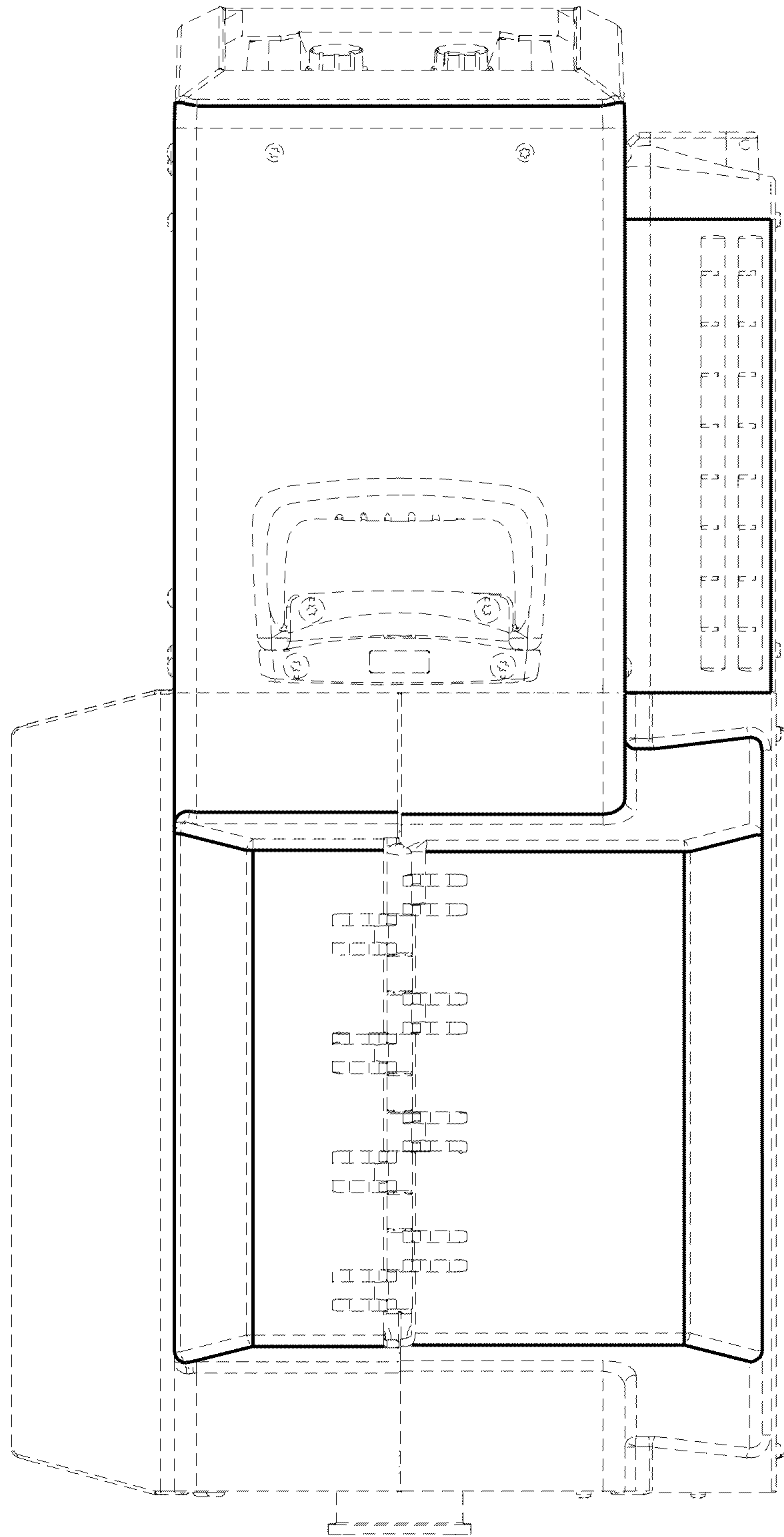


FIG. 6

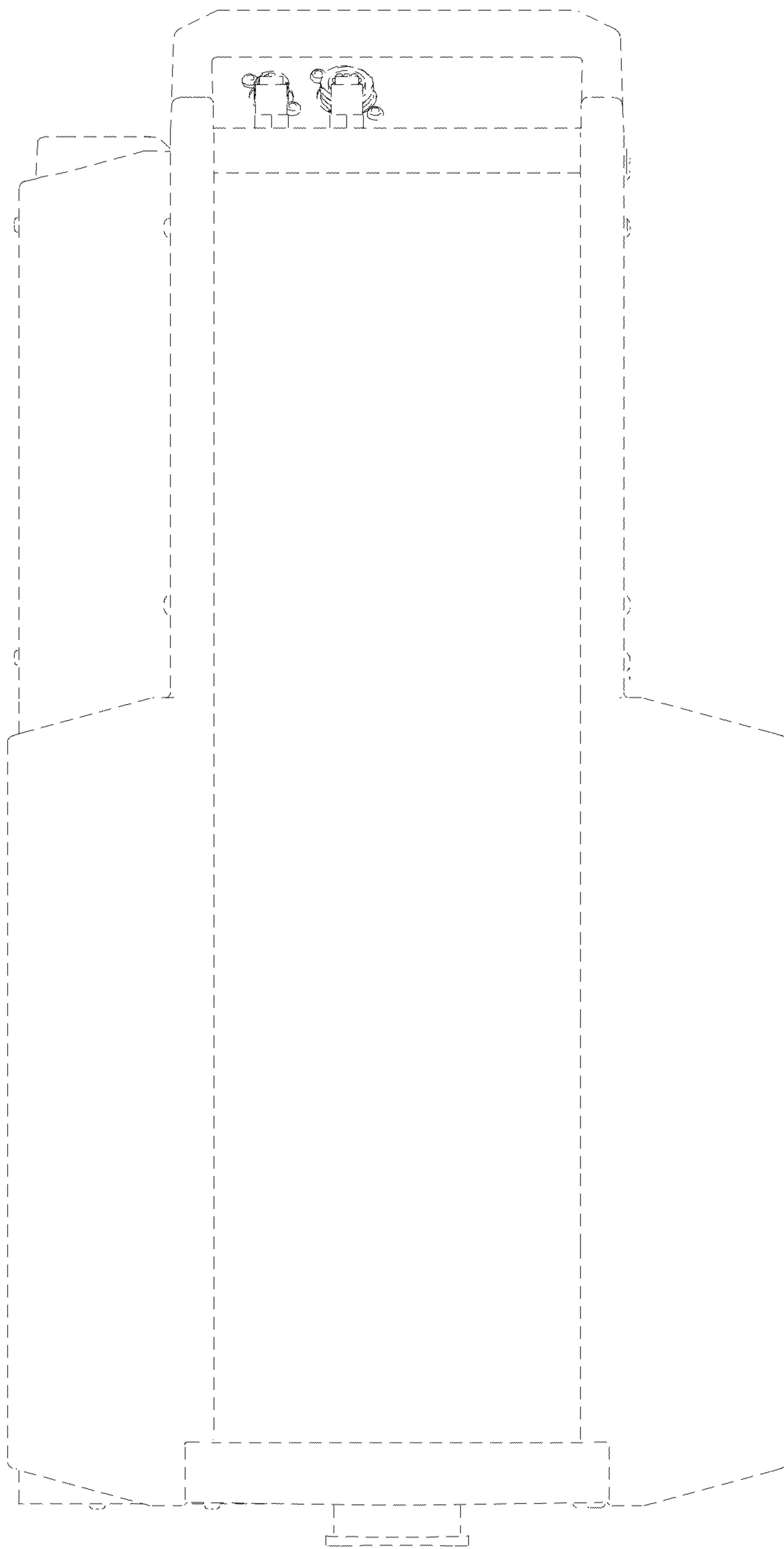


FIG. 7