

US00D727985S

(12) **United States Design Patent**  
**Leugers**

(10) **Patent No.:** **US D727,985 S**

(45) **Date of Patent:** **\*\* \*Apr. 28, 2015**

(54) **DRILL BIT ASSEMBLY**

(71) Applicant: **McGinley Engineered Solutions, LLC**,  
Casper, WY (US)

(72) Inventor: **Martin Leugers**, San Francisco, CA  
(US)

(73) Assignee: **McGinley Engineered Solutions, LLC**,  
Casper, WY (US)

(\*) Notice: This patent is subject to a terminal disclaimer.

(\*\*) Term: **14 Years**

(21) Appl. No.: **29/490,293**

(22) Filed: **May 8, 2014**

**Related U.S. Application Data**

(63) Continuation of application No. 29/472,824, filed on  
Nov. 15, 2013.

(51) **LOC (10) Cl.** ..... **15-09**

(52) **U.S. Cl.**  
USPC ..... **D15/139**

(58) **Field of Classification Search**  
USPC ..... D8/70, 71; D15/131, 132, 138, 139,  
D15/140; 76/102, 115; 83/845; 403/331,  
403/381; 407/9, 33, 34, 42, 54, 63, 110,  
407/113-115; 408/214, 215, 222, 223,  
408/226-230; 433/72, 165; 470/198;  
606/80

See application file for complete search history.

(56) **References Cited**

U.S. PATENT DOCUMENTS

2,344,143	A *	3/1944	Harding	408/192
4,123,193	A *	10/1978	Hill	408/202
4,710,075	A *	12/1987	Davison	408/202
4,850,758	A *	7/1989	Morgan	408/226
7,258,513	B2 *	8/2007	Gertner	408/67
D573,165	S *	7/2008	Grundvig	D15/139
D599,906	S *	9/2009	Petersen	D24/146
7,771,143	B2 *	8/2010	Bharadwaj et al.	408/1 R
2002/0041798	A1 *	4/2002	Karlsson	408/118
2003/0026669	A1 *	2/2003	Lang et al.	408/226
2004/0052595	A1 *	3/2004	Dembicks et al.	408/226
2005/0098358	A1 *	5/2005	Nadler	175/394
2012/0003057	A1 *	1/2012	Leyba	408/226

\* cited by examiner

*Primary Examiner* — Patricia Palasik

(74) *Attorney, Agent, or Firm* — Marsh Fischmann & Breyfogle LLP

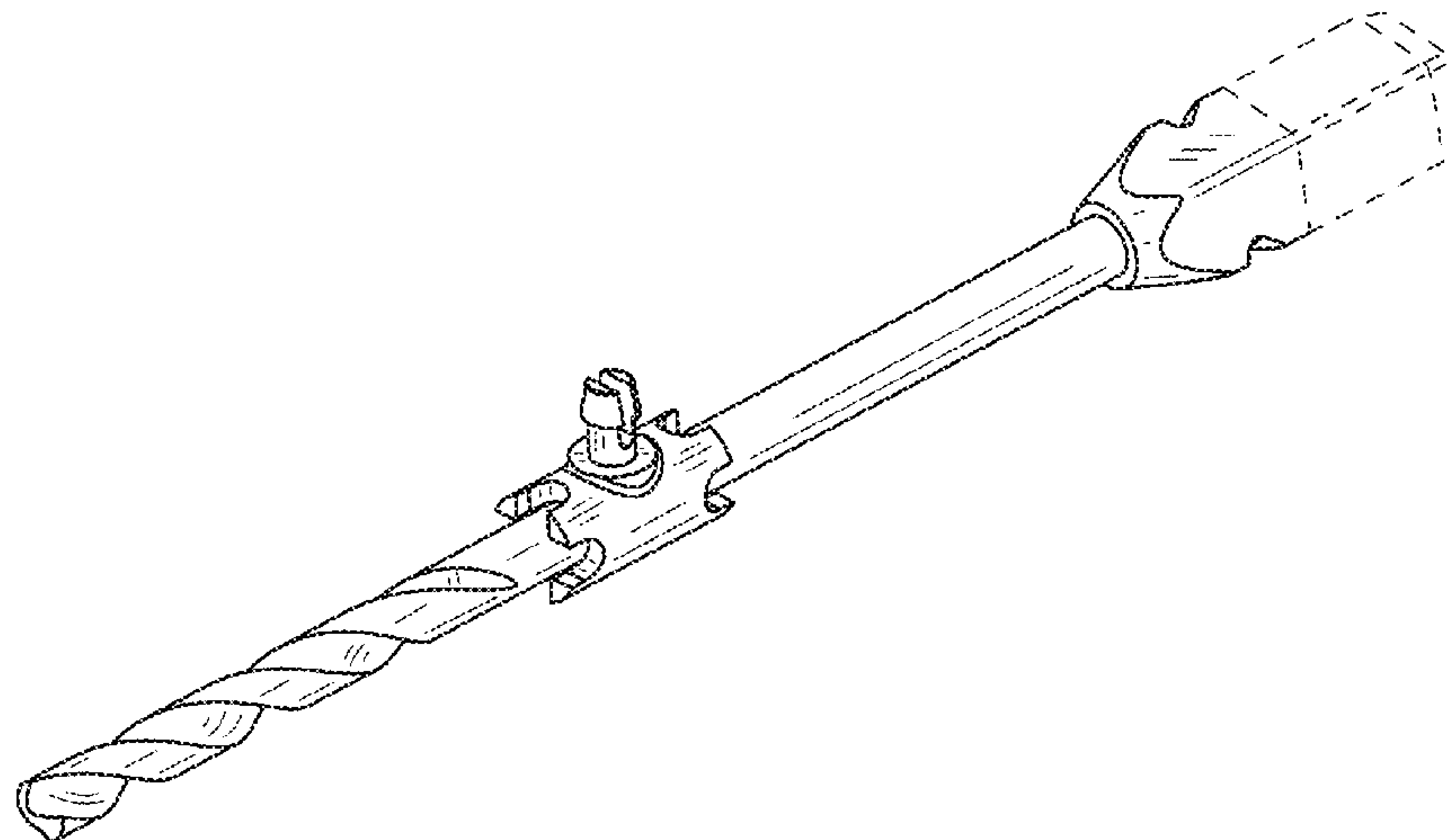
(57) **CLAIM**

The ornamental design for a drill bit assembly, as shown and described.

**DESCRIPTION**

FIG. 1 is a front perspective view of a drill bit assembly;  
FIG. 2 is a front view of the drill bit assembly of FIG. 1, which has been enlarged for clarity;  
FIG. 3 is a rear view of the drill bit assembly of FIG. 1, which has been enlarged for clarity;  
FIG. 4 is a left side view of the drill bit assembly of FIG. 1;  
FIG. 5 is a right side view of the drill bit assembly of FIG. 1;  
FIG. 6 is a top view of the drill bit assembly of FIG. 1; and,  
FIG. 7 is a bottom view of the drill bit assembly of FIG. 1.  
The broken lines in the drawing indicate environmental structure and form no part of the design to be patented.

**1 Claim, 4 Drawing Sheets**



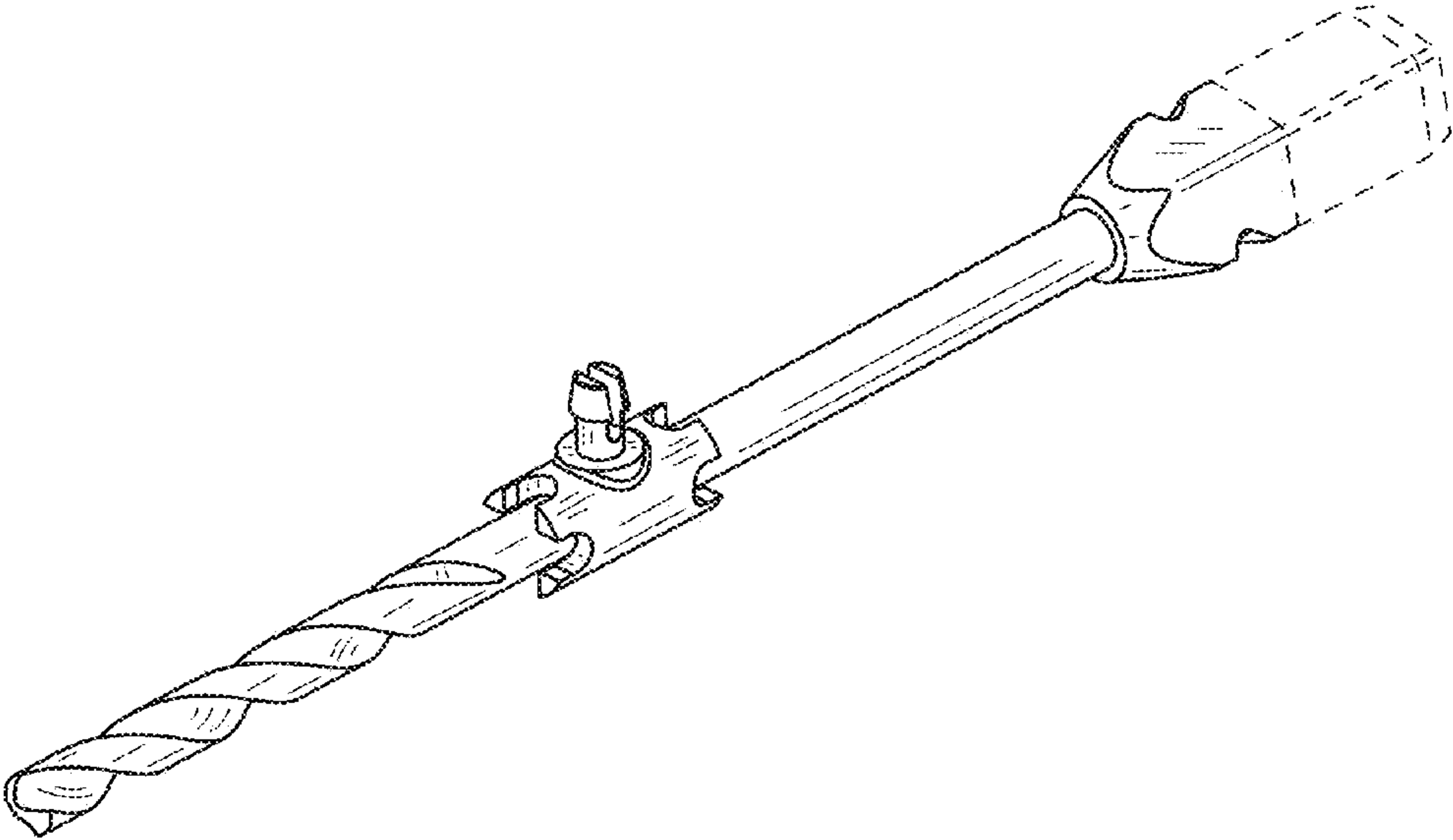


FIG.1

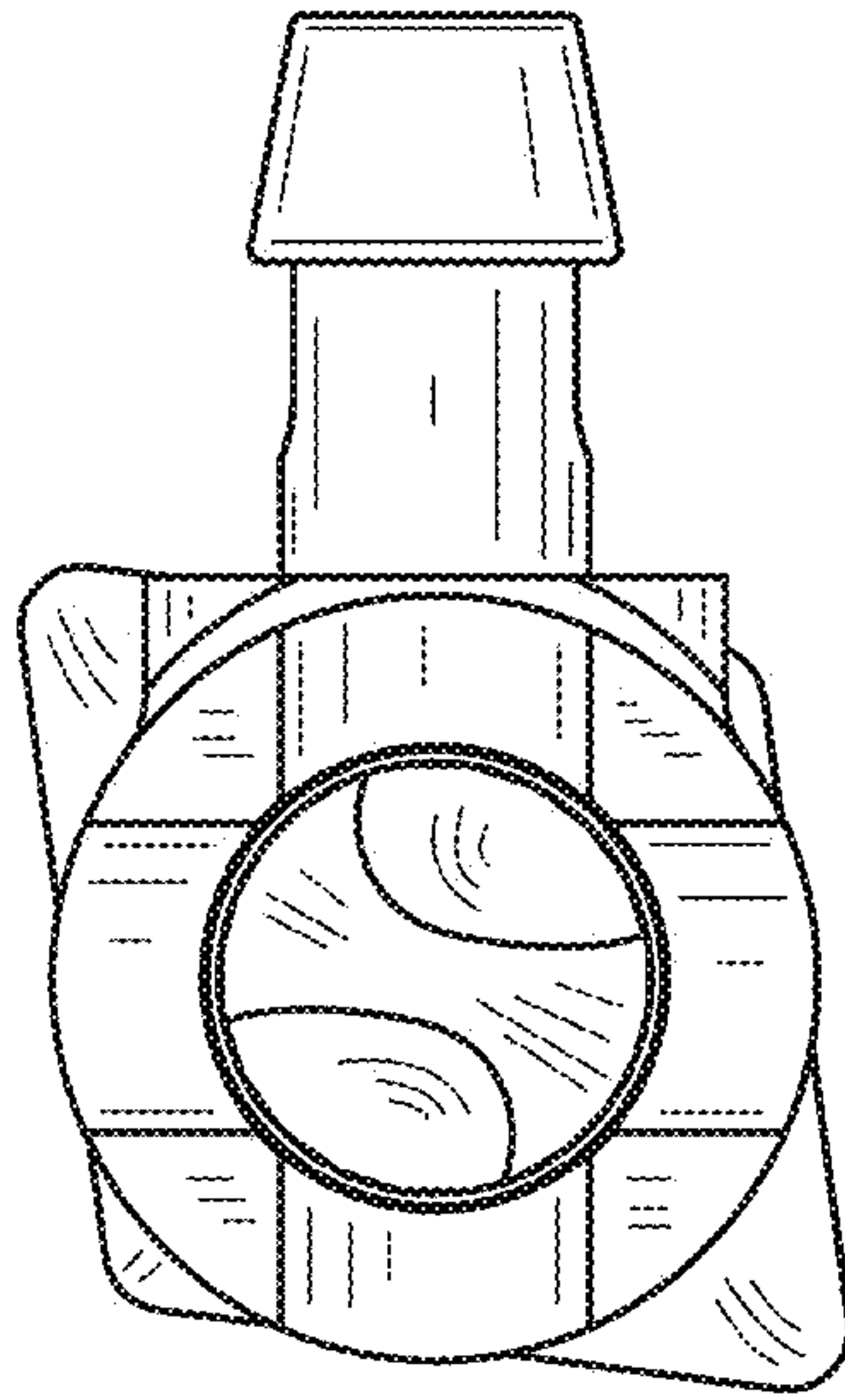


FIG. 2

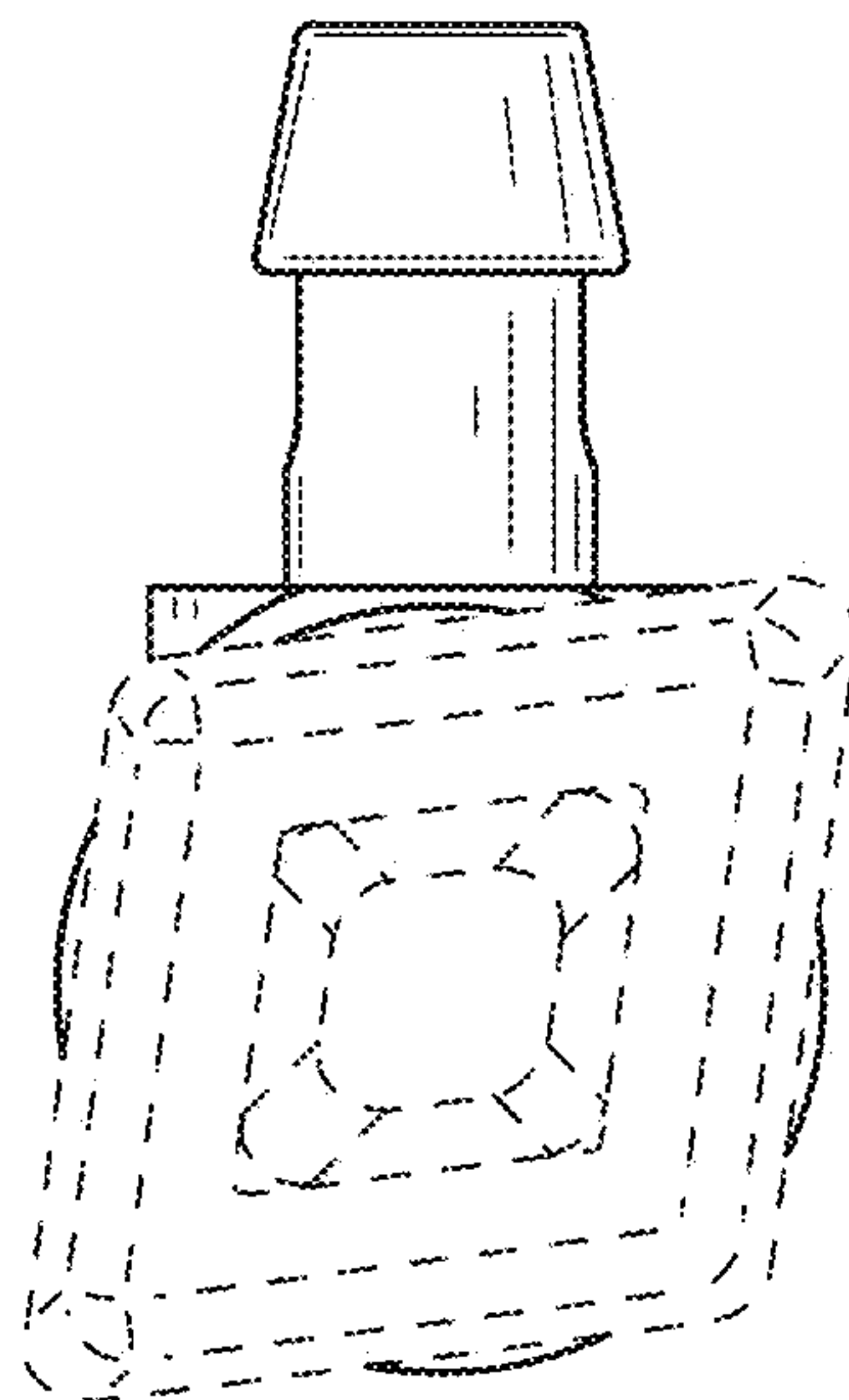


FIG. 3

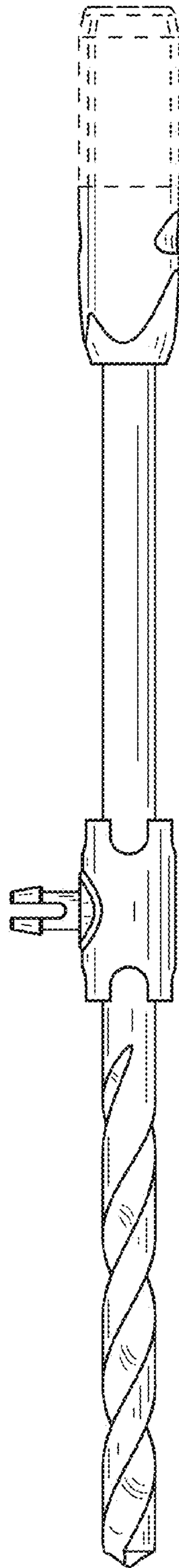


FIG. 4

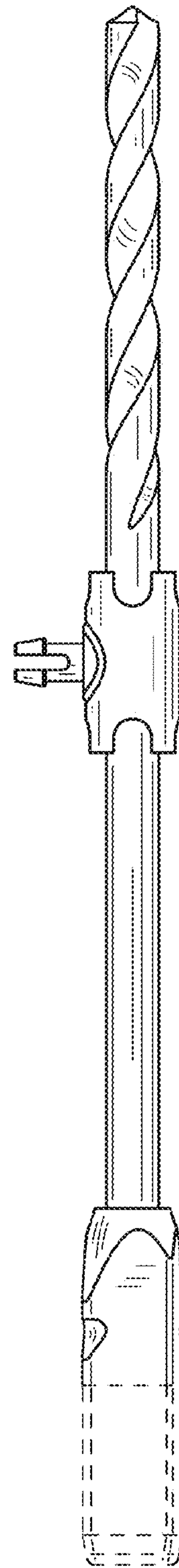


FIG. 5

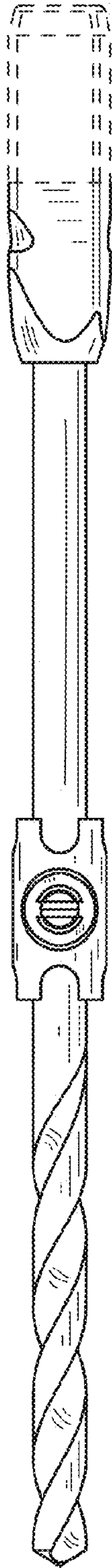


FIG. 6

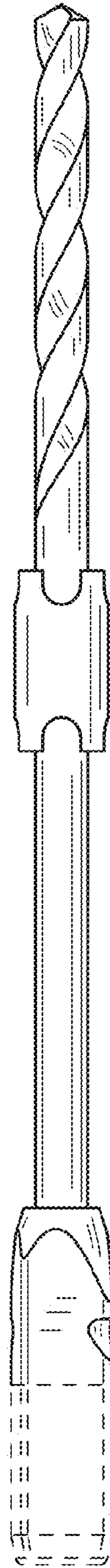


FIG. 7