



US00D727984S

(12) **United States Design Patent**
Sindlinger

(10) **Patent No.:** **US D727,984 S**
(45) **Date of Patent:** **** Apr. 28, 2015**

(54) **FOOT OPERATED RIVETING MACHINE**

(71) Applicant: **Weaver Leather, LLC**, Mt. Hope, OH
(US)

(72) Inventor: **Steven K. Sindlinger**, Apple Creek, OH
(US)

(73) Assignee: **Weaver Leather, LLC**, Mount Hope,
OH (US)

(**) Term: **14 Years**

(21) Appl. No.: **29/491,366**

(22) Filed: **May 20, 2014**

(51) **LOC (10) Cl.** **15-09**

(52) **U.S. Cl.**
USPC **D15/128**

(58) **Field of Classification Search**
CPC B21D 28/34; B21D 28/005; B21D 28/343;
B23D 35/004; B23P 11/00; B26F 1/14;
B26F 1/44; B26F 1/386; B30B 11/08; B30B
15/026; B30B 15/065; H01R 43/0421; H01R
43/015; H01R 43/0425; H02G 1/14
USPC D15/128; D19/65, 72
See application file for complete search history.

(56) **References Cited**

U.S. PATENT DOCUMENTS

2,153,890 A * 4/1939 Honig 83/167
2,429,387 A * 10/1947 Buchheim 72/461

D155,154 S * 9/1949 Halvorson D15/128
3,023,412 A * 3/1962 Watkins 227/82
3,043,168 A * 7/1962 May et al. 227/61
D233,911 S * 12/1974 Marsh D15/123
D238,702 S * 2/1976 Rawson D15/122
D238,703 S * 2/1976 Rawson D15/122
D273,121 S * 3/1984 Rawson D18/15
D359,967 S * 7/1995 Eichenberg et al. D15/123
D397,123 S * 8/1998 Hardy D15/128
D599,382 S * 9/2009 Tsai D15/128
D599,383 S * 9/2009 Tsai D15/128
7,726,554 B2 * 6/2010 Thielges et al. 234/43
2013/0288743 A1 * 10/2013 Hunt et al. 455/556.1

* cited by examiner

Primary Examiner — Patricia Palasik

(74) *Attorney, Agent, or Firm* — Sand & Sebolt

(57) **CLAIM**

The ornamental design for a foot operated riveting machine, as shown.

DESCRIPTION

FIG. 1 is a front perspective view of a foot operated riveting machine in accordance with my design;
FIG. 2 is front elevational view thereof;
FIG. 3 is a rear elevational view thereof;
FIG. 4 is a left side elevational view thereof;
FIG. 5 is right side elevational view thereof;
FIG. 6 is a top view thereof; and,
FIG. 7 is a bottom view thereof.

1 Claim, 6 Drawing Sheets

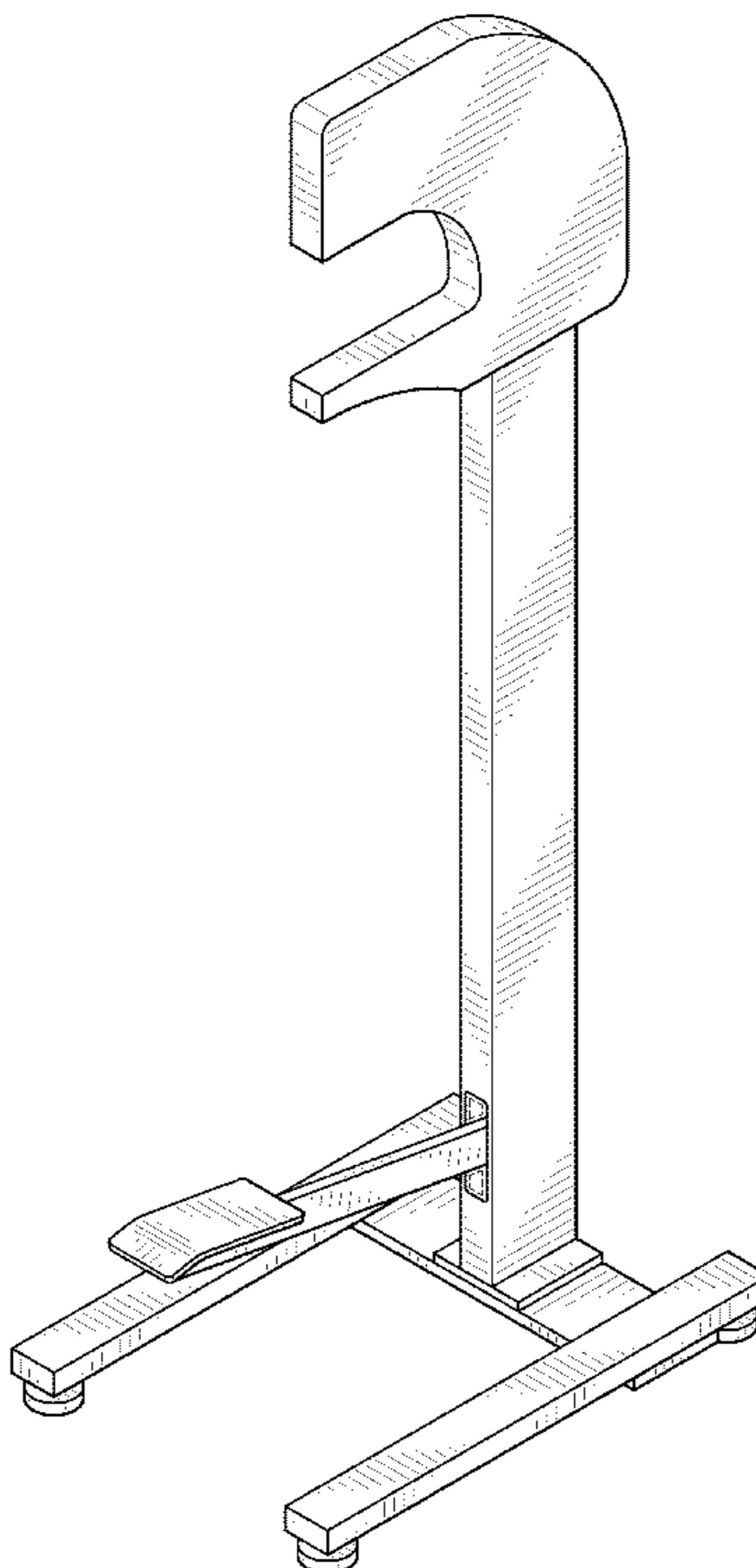


FIG-1

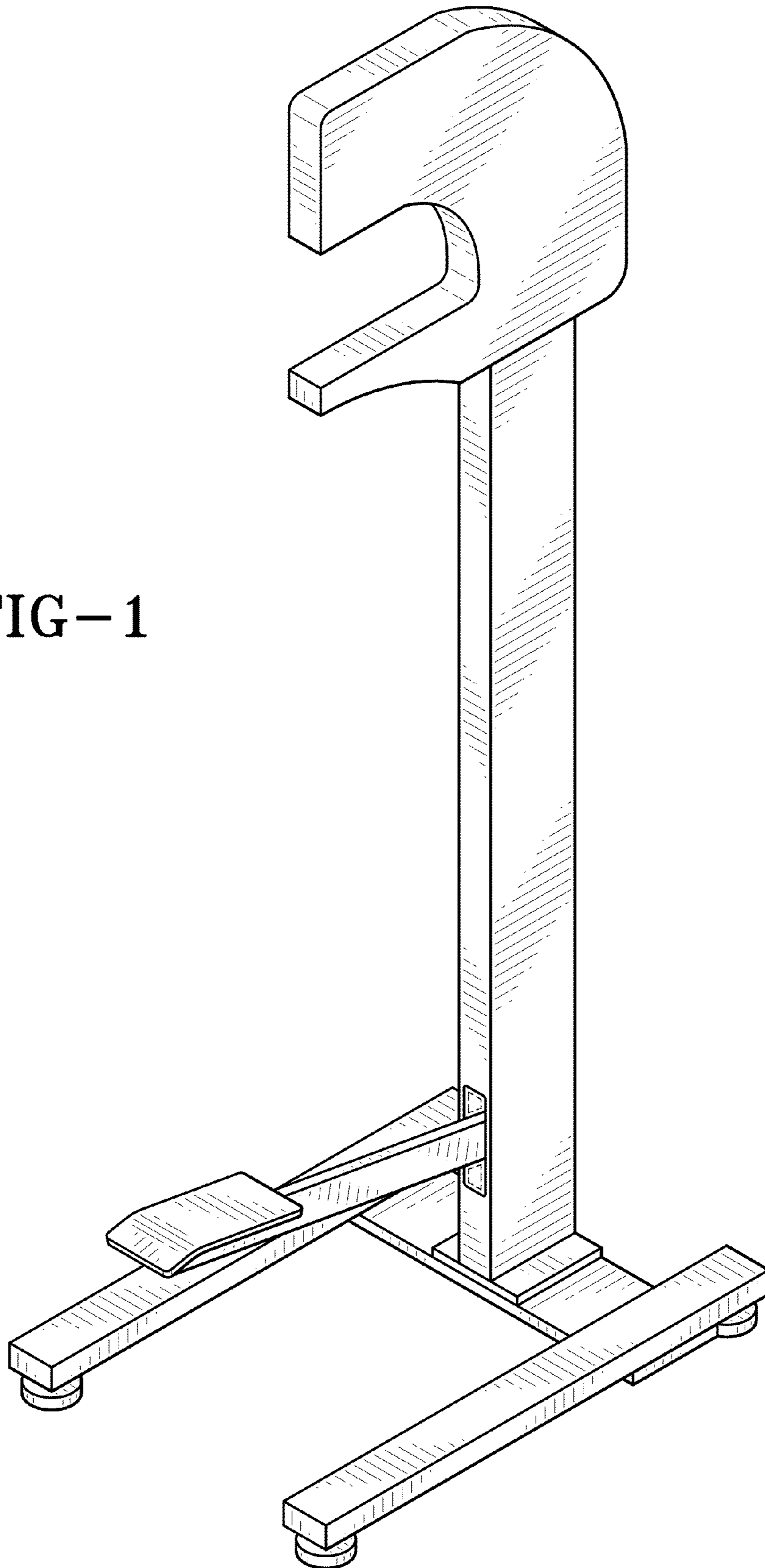


FIG-2

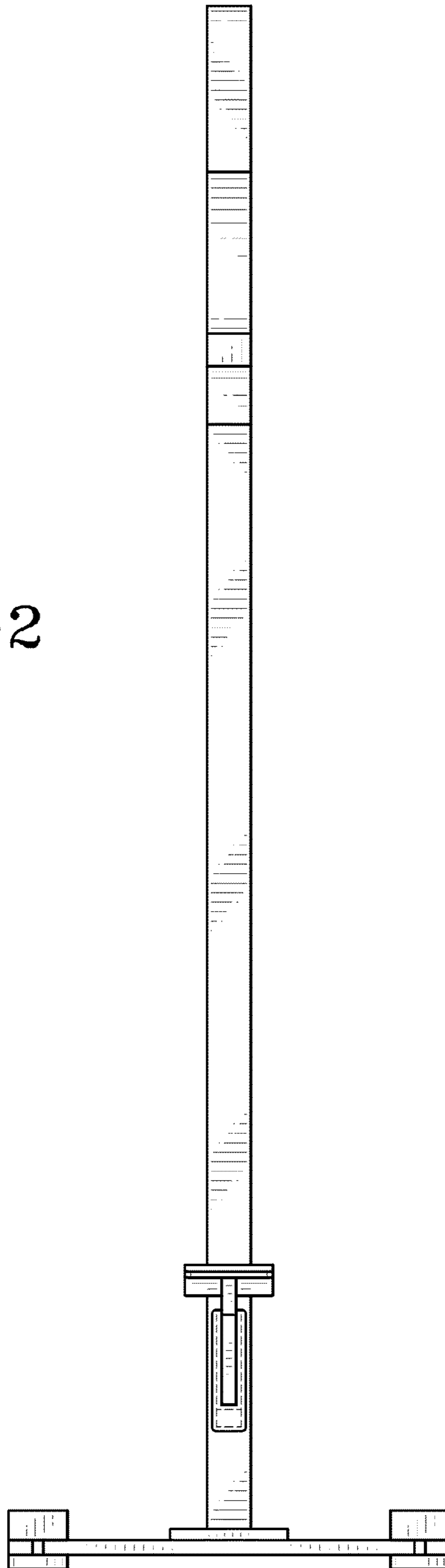
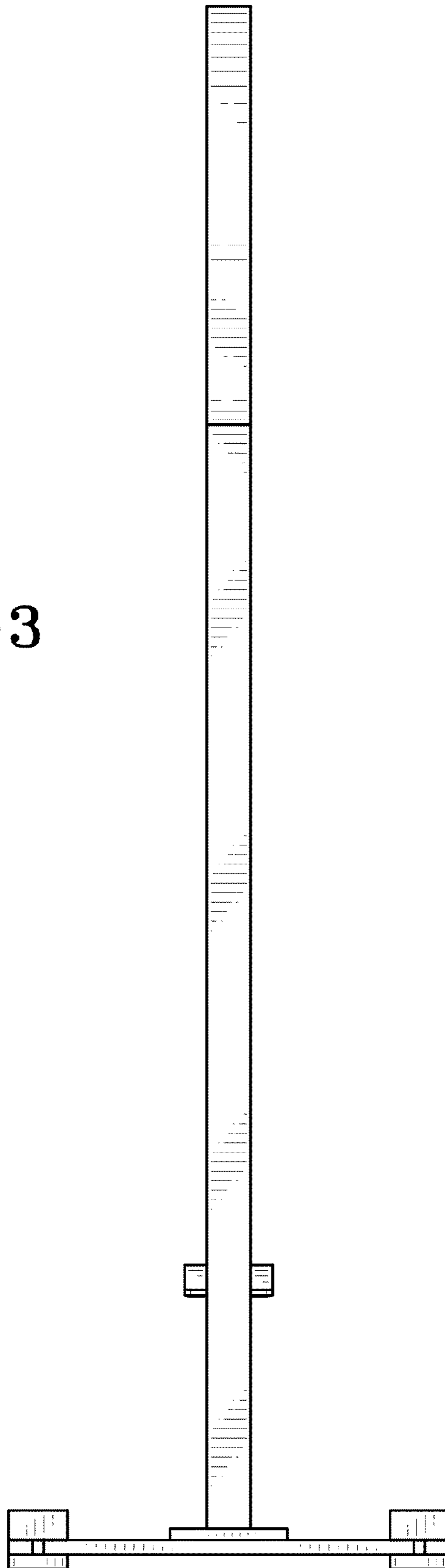


FIG-3



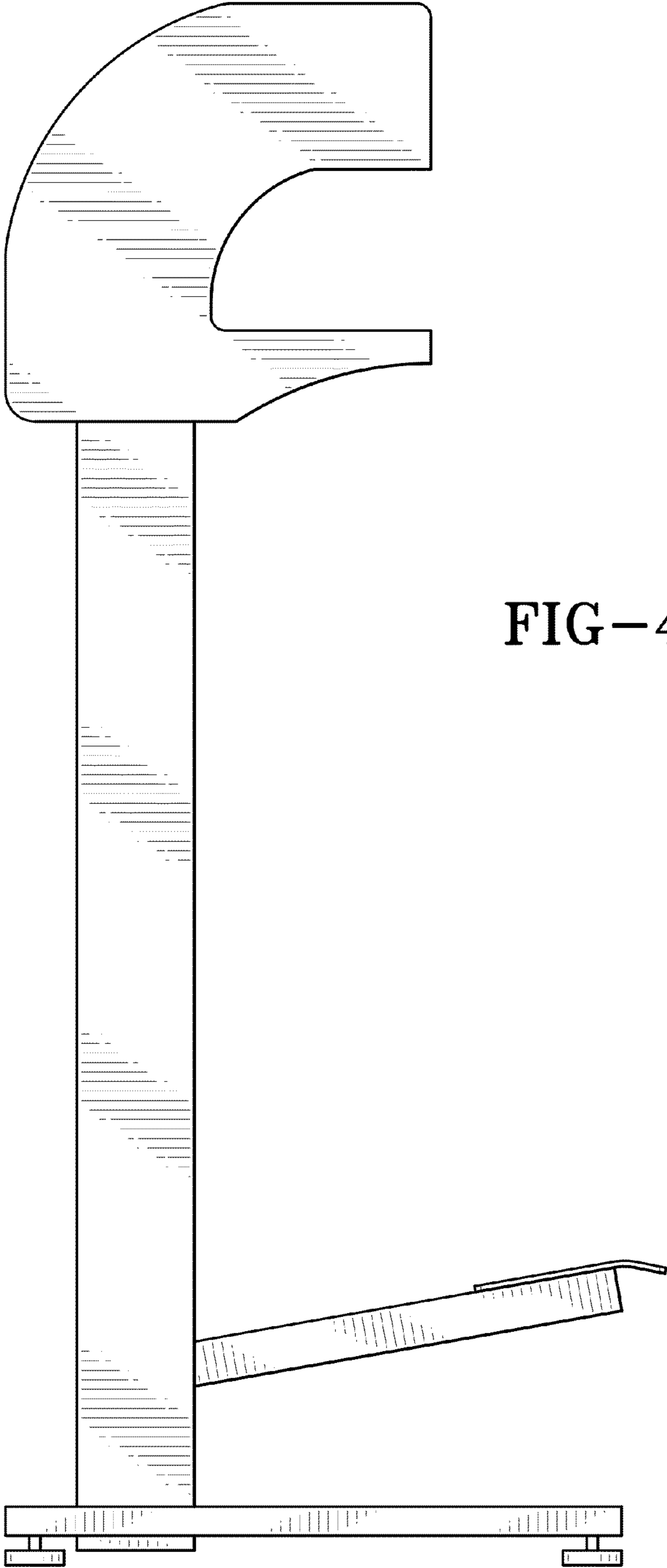
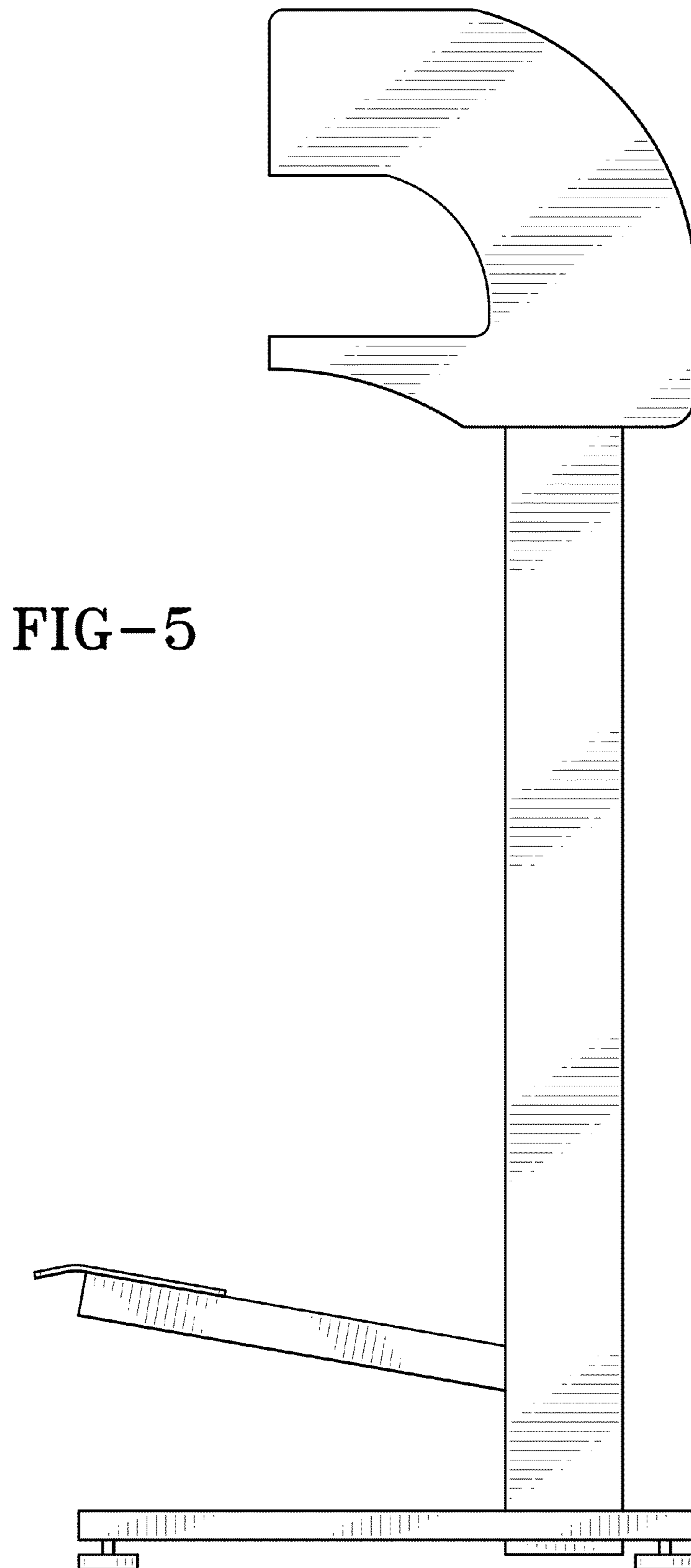


FIG-4



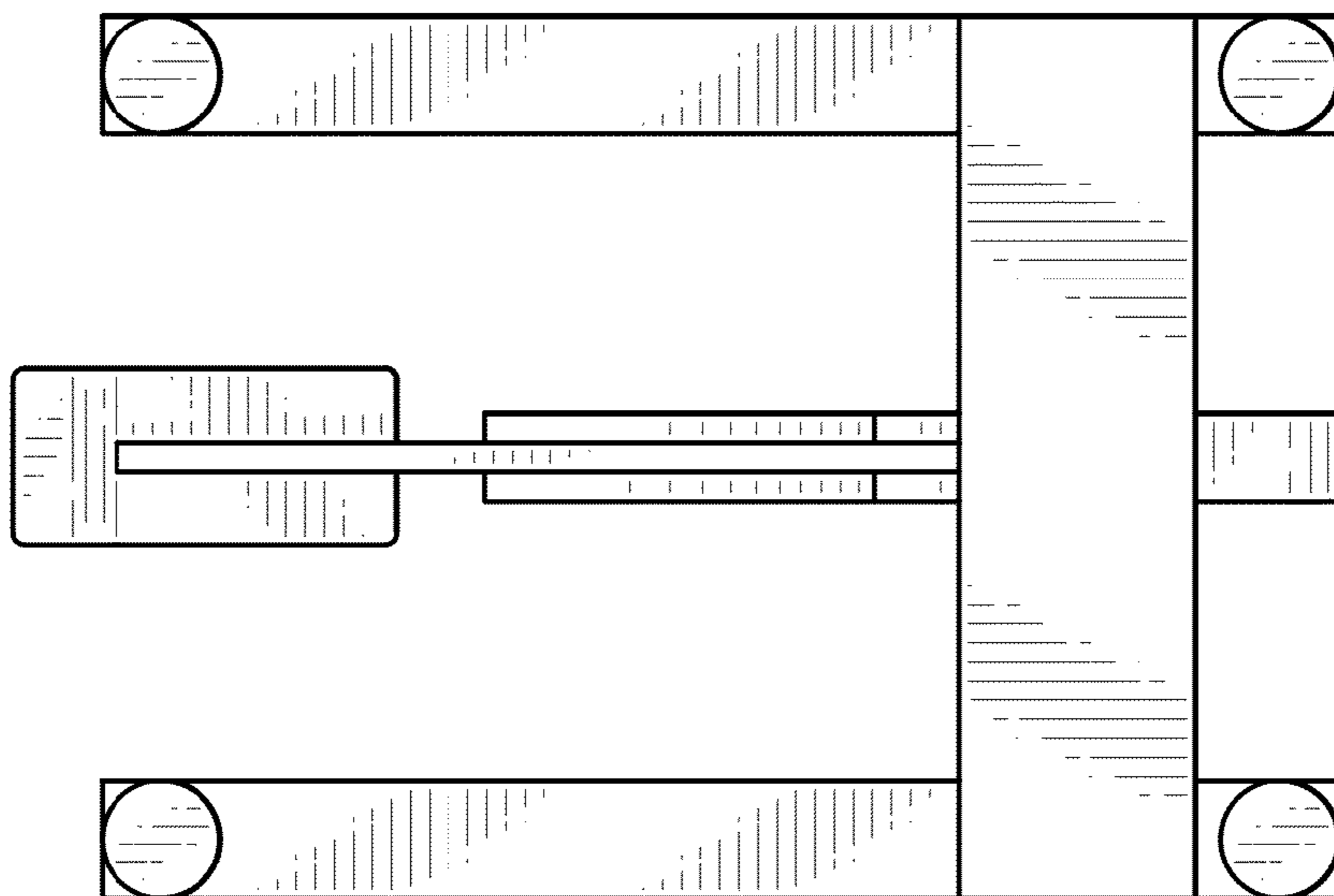


FIG-7

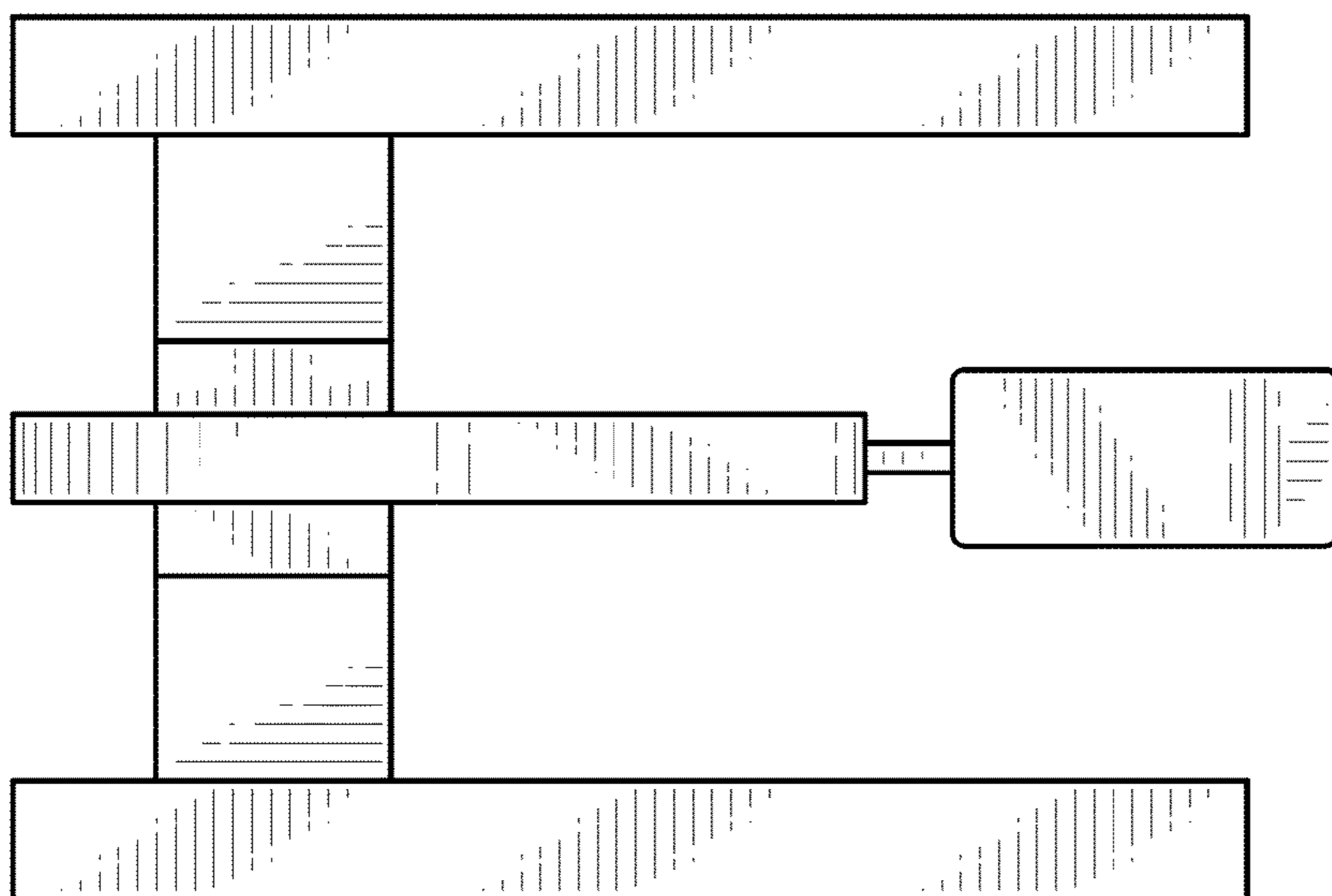


FIG-6