



US00D727979S

(12) **United States Design Patent**  
**Renski et al.**

(10) **Patent No.:** **US D727,979 S**  
(45) **Date of Patent:** **\*\* Apr. 28, 2015**

(54) **TIP FOR A GROUND ENGAGING MACHINE IMPLEMENT**

3,774,324 A 11/1973 Lafond  
3,823,496 A 7/1974 Querci et al.  
3,832,077 A 8/1974 Von Mehren  
4,027,408 A 6/1977 Ramella et al.  
D251,431 S 3/1979 Klett et al.  
D252,461 S 7/1979 Korpi

(71) Applicant: **Caterpillar, Inc.**, Peoria, IL (US)

(72) Inventors: **William J. Renski**, Peoria, IL (US);  
**Sudha Kottakapu**, Peoria, IL (US)

(Continued)

(73) Assignee: **Caterpillar Inc.**, Peoria, IL (US)

**FOREIGN PATENT DOCUMENTS**

(\*\*) Term: **14 Years**

CL 2068-1995 10/1996  
CL 391-1998 11/1998

(21) Appl. No.: **29/487,243**

(Continued)

(22) Filed: **Apr. 7, 2014**

**OTHER PUBLICATIONS**

**Related U.S. Application Data**

Caterpillar, Inc., Cat® K Series™ Tooth Systems, brochure (4 pages), 2006.

(62) Division of application No. 29/403,600, filed on Oct. 7, 2011, now Pat. No. Des. 706,312.

(Continued)

(51) **LOC (10) Cl.** ..... **15-03**

*Primary Examiner* — Mark Goodwin

(52) **U.S. Cl.**  
USPC ..... **D15/29**

(74) *Attorney, Agent, or Firm* — Saidman DesignLaw Group, LLC

(58) **Field of Classification Search**  
USPC ..... D15/11, 28, 29; 37/456, 452, 450, 446,  
37/454, 449, 453, 455, 903; 403/379.5,  
403/DIG. 1; 111/152; 172/724, 730, 766,  
172/770, 771, 721, 713, 699, 772

(57) **CLAIM**

The ornamental design for a tip for a ground engaging machine implement, as shown and described.

See application file for complete search history.

**DESCRIPTION**

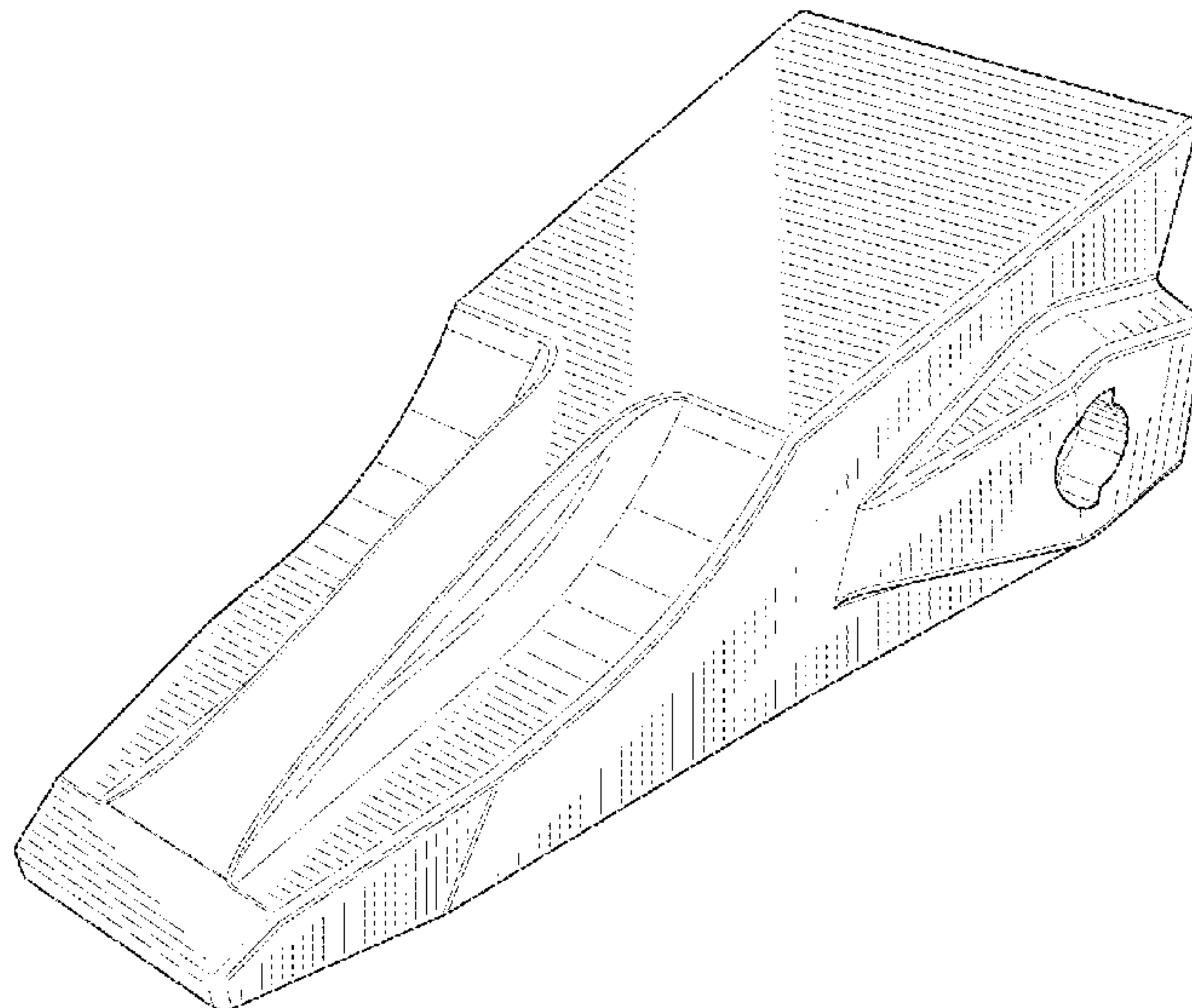
(56) **References Cited**

FIG. 1 is a perspective view of a tip for ground engaging machine implement showing our new design;  
FIG. 2 is a front view thereof;  
FIG. 3 is a front view thereof with the front elevated;  
FIG. 4 is a left side view thereof;  
FIG. 5 is a rear view thereof;  
FIG. 6 is a right side view thereof;  
FIG. 7 is a top view thereof;  
FIG. 8 is a bottom view thereof; and,  
FIG. 9 is a rear left perspective view thereof.

**U.S. PATENT DOCUMENTS**

1,220,186 A 3/1917 Chambers  
1,384,701 A 7/1921 McMonegal  
1,571,782 A 2/1926 Andrews  
1,856,930 A 5/1932 Robin  
2,427,651 A 9/1947 Baer  
D182,143 S 2/1958 Petersen  
2,982,035 A 5/1961 Stephenson  
3,019,537 A 2/1962 Stephenson  
3,312,004 A 4/1967 Johnson  
3,623,247 A 11/1971 Stepe

**1 Claim, 5 Drawing Sheets**



(56)

References Cited

U.S. PATENT DOCUMENTS

4,182,057 A 1/1980 Klett et al.  
 D255,119 S 5/1980 Korpi  
 4,231,173 A 11/1980 Davis  
 D275,859 S 10/1984 Nilsson  
 4,516,340 A 5/1985 Launder  
 D296,442 S 6/1988 Broomhall  
 4,761,900 A 8/1988 Emrich  
 4,776,113 A 10/1988 Bedford et al.  
 4,848,013 A 7/1989 Bowman et al.  
 4,932,145 A 6/1990 Reeves  
 4,949,481 A 8/1990 Fellner  
 4,965,945 A 10/1990 Emrich  
 4,980,980 A 1/1991 Schadov et al.  
 5,018,283 A 5/1991 Fellner  
 D336,476 S 6/1993 Garman  
 D339,592 S 9/1993 Johansson  
 D345,364 S 3/1994 Robinson  
 D352,044 S 11/1994 Hahn  
 5,423,138 A 6/1995 Livesay et al.  
 D365,577 S 12/1995 Ruvang  
 5,561,925 A 10/1996 Livesay  
 D385,286 S 10/1997 Moreno  
 5,709,043 A 1/1998 Jones et al.  
 D391,583 S \* 3/1998 Moreno ..... D15/29  
 D392,292 S 3/1998 Moreno  
 D395,661 S 6/1998 Moreno  
 5,806,216 A 9/1998 Renski  
 D399,511 S \* 10/1998 Launder et al. .... D15/27  
 5,852,888 A 12/1998 Cornelius  
 D408,422 S 4/1999 Moreno  
 D410,657 S 6/1999 Launder et al.  
 D413,338 S 8/1999 Pueyo Molina  
 D414,193 S 9/1999 Launder et al.  
 D415,173 S 10/1999 Zaun  
 5,983,534 A 11/1999 Robinson et al.  
 D417,877 S 12/1999 Launder et al.  
 D429,256 S 8/2000 Zaun  
 D429,258 S 8/2000 Zaun  
 6,321,471 B2 11/2001 Fernandez Muñoz et al.  
 D454,891 S 3/2002 Ketting et al.  
 D460,464 S 7/2002 Ketting et al.  
 D461,198 S 8/2002 Ketting et al.  
 D461,832 S 8/2002 Ketting et al.  
 6,477,796 B1 11/2002 Cornelius  
 6,735,890 B2 5/2004 Carpenter et al.  
 6,745,503 B1 6/2004 Moreno et al.  
 D499,749 S 12/2004 Launder et al.  
 6,836,983 B2 1/2005 Moreno et al.  
 6,865,828 B1 3/2005 Molino et al.  
 D505,137 S 5/2005 Steinlage et al.  
 D512,078 S 11/2005 Poutre  
 D527,029 S 8/2006 Launder et al.  
 7,100,315 B2 9/2006 Carpenter et al.  
 7,168,193 B2 1/2007 Moreno et al.  
 D552,632 S 10/2007 De Martiis  
 D560,232 S 1/2008 De Martiis  
 7,367,144 B2 5/2008 Jones et al.  
 D614,206 S 4/2010 Ruvang  
 7,739,814 B2 6/2010 Carpenter et al.  
 7,762,015 B2 7/2010 Smith et al.  
 D624,943 S 10/2010 Gibbon  
 D706,307 S \* 6/2014 Renski et al. .... D15/28  
 D706,311 S \* 6/2014 Renski et al. .... D15/29  
 D706,312 S \* 6/2014 Renski et al. .... D15/29  
 D706,839 S \* 6/2014 Renski et al. .... D15/29  
 D706,840 S \* 6/2014 Renski et al. .... D15/29  
 D707,263 S \* 6/2014 Renski et al. .... D15/29

D707,264 S \* 6/2014 Renski et al. .... D15/29  
 2004/0010949 A1 1/2004 Laguarda et al.  
 2008/0028644 A1 2/2008 Almendros et al.

FOREIGN PATENT DOCUMENTS

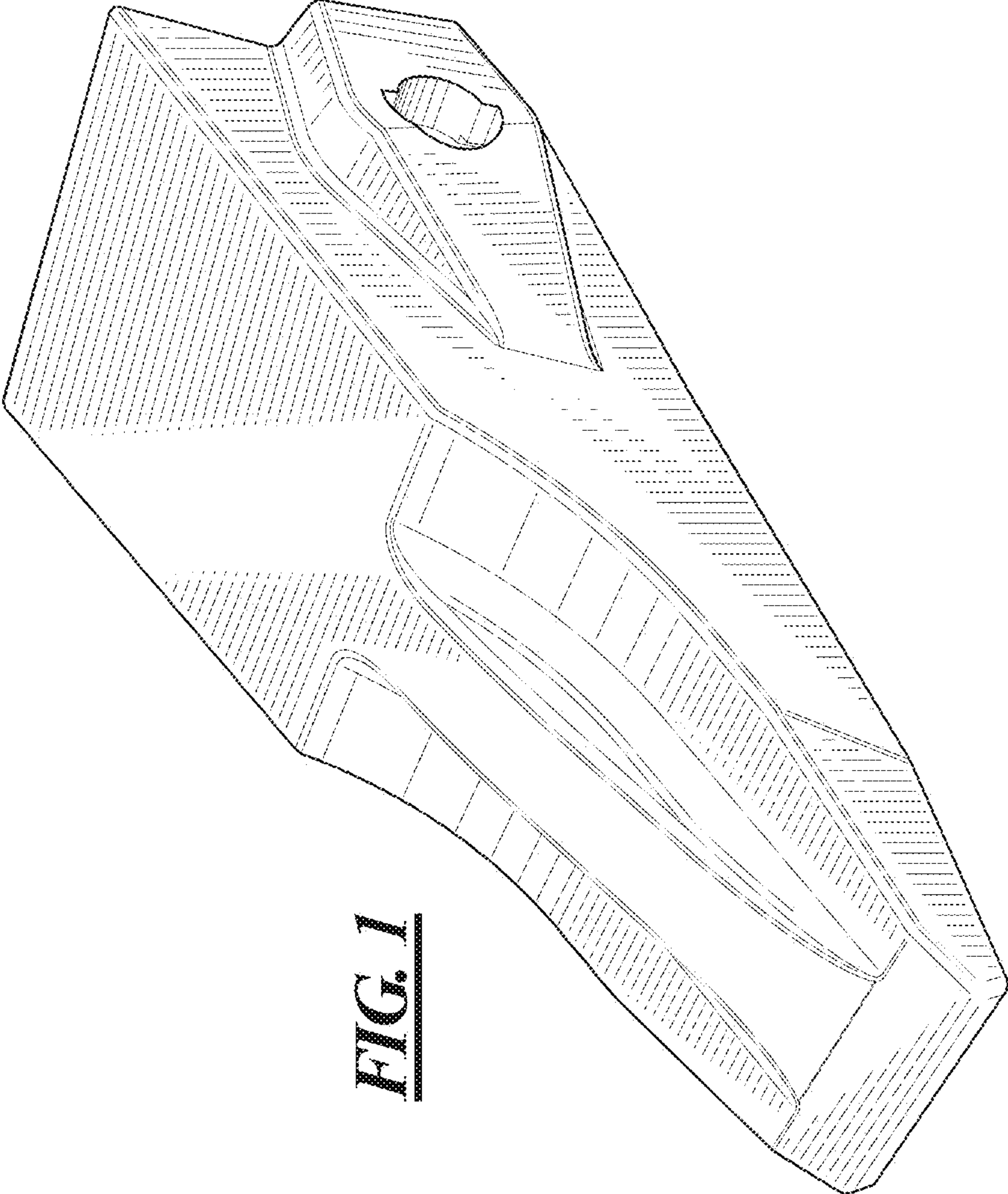
CL 1193-1999 9/1999  
 CL 223-1999 11/1999  
 CL 1457-1999 11/1999  
 CL 1583-1999 6/2000  
 CL 2671-2005 7/2006  
 CL 3115-2005 9/2006  
 CL 3116-2005 9/2006  
 CL 173-2008 8/2008  
 CL 174-2008 8/2008  
 CL 2524-2008 1/2009  
 CL 1764-2008 7/2009  
 CL 618-2010 11/2010  
 CL 739-2010 12/2010  
 CL 291-2012 11/2012  
 EM 000089099-0001-0003 10/2003  
 EM 000877477-0001-0009 1/2008  
 EM 000895396-0001-0015 3/2008  
 EP 0 411 486 A1 2/1991  
 EP 2 011 927 A2 1/2009  
 GB 1049195 3/1988  
 GB 1050103 4/1988  
 GB 2010025 4/1990  
 GB 2010026 4/1990  
 GB 2057051 12/1995  
 GB 2057052 12/1995  
 GB 2057053 12/1995  
 GB 2060104 4/1996  
 GB 2060105 4/1996  
 GB 2057055 5/1996  
 GB 2091441 10/1999  
 GB 2091502 10/1999  
 GB 2095654 3/2000  
 GB 2097590 3/2000  
 GB 2097591 4/2000  
 GB 2097592 4/2000  
 GB 2097593 5/2000  
 GB 2104929 3/2001  
 GB 2106421 4/2001

OTHER PUBLICATIONS

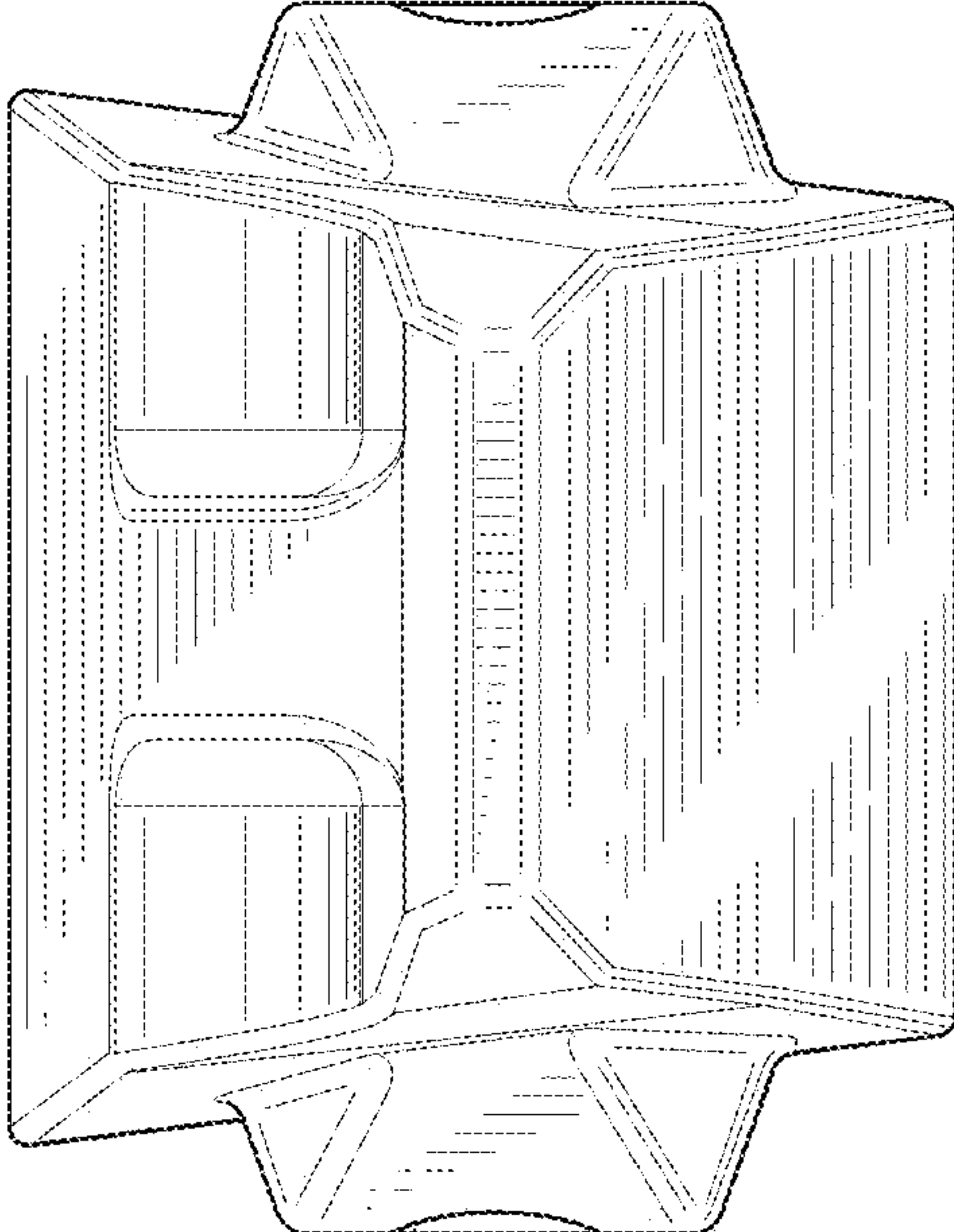
Caterpillar, Inc., "Cat Backhoe Loader Options," published Jan. 1, 2005.  
 U.S. Appl. No. 13/644,518, filed Oct. 4, 2012, entitled "Implement Tooth Assembly with Tip and Adapter".  
 U.S. Appl. No. 29/403,592, filed Oct. 7, 2011, entitled "Tip for a Ground Engaging Machine Implement", and Preliminary Amendment filed Jan. 25, 2012.  
 U.S. Appl. No. 29/403,595, filed Oct. 7, 2011, entitled "Tip for a Ground Engaging Machine Implement", and Preliminary Amendment filed Jan. 15, 2013.  
 U.S. Appl. No. 29/403,598, filed Oct. 7, 2011, entitled "Tip for a Ground Engaging Machine Implement", and Preliminary Amendment filed Jan. 17, 2013.  
 U.S. Appl. No. 29/403,570, filed Oct. 7, 2011, entitled "Tip for a Ground Engaging Machine Implement", and Preliminary Amendment filed Jan. 25, 2012.  
 U.S. Appl. No. 29/403,592, filed Oct. 7, 2011, entitled "Tip for a Ground Engaging Machine Implement", and Preliminary Amendment filed Jan. 25, 2013.  
 U.S. Appl. No. 29/403,570, filed Oct. 7, 2011, entitled "Tip for a Ground Engaging Machine Implement", and Preliminary Amendment filed Jan. 25, 2013.

\* cited by examiner

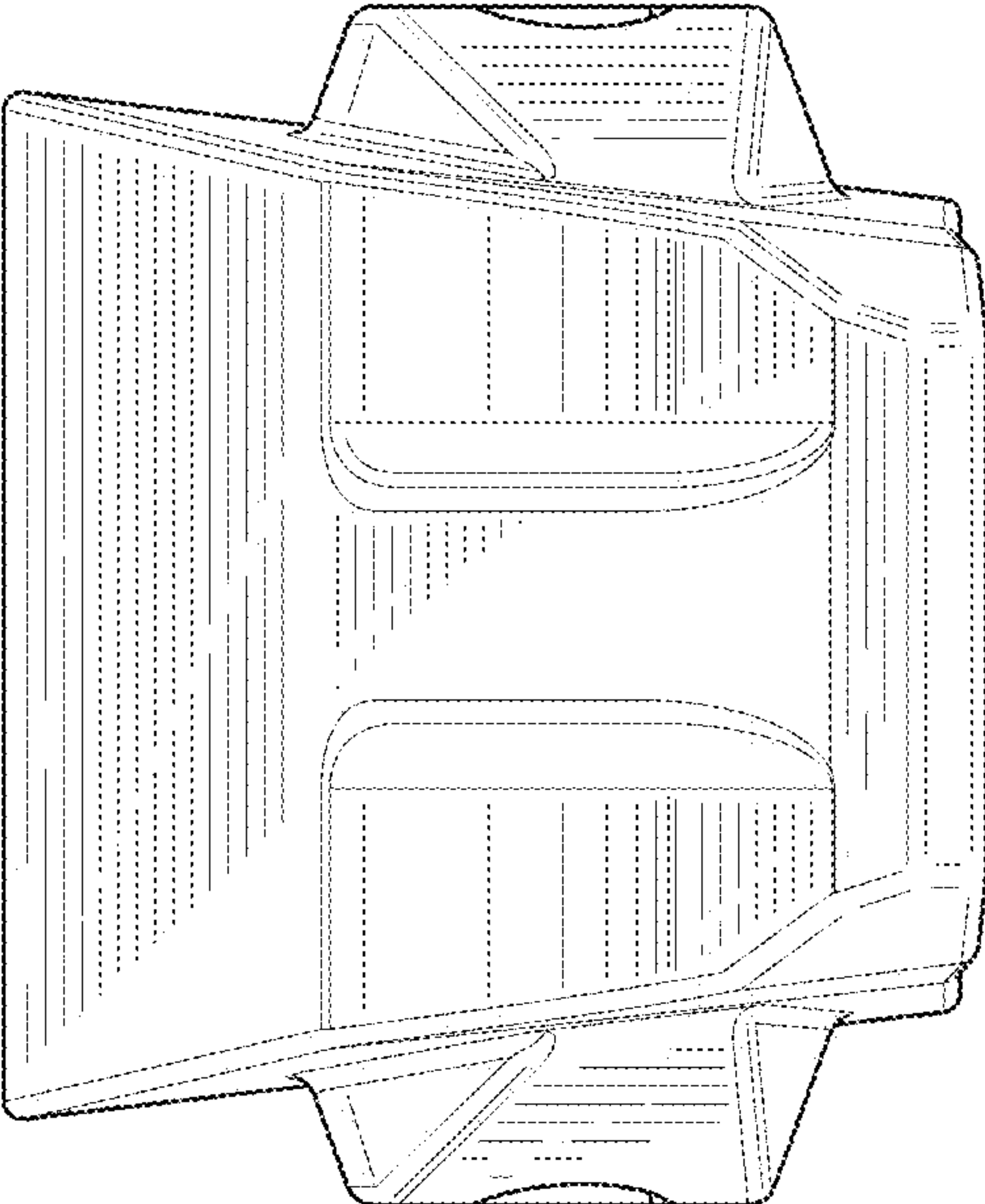




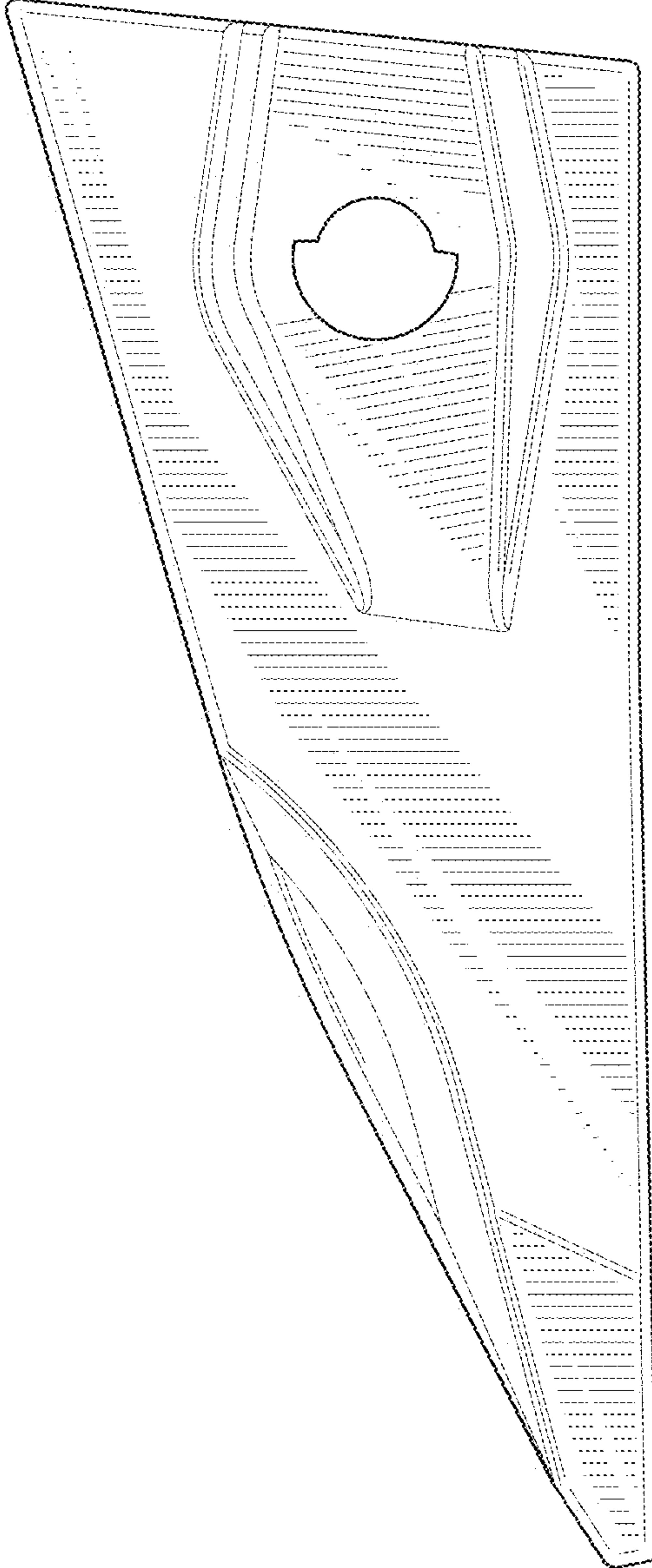
**FIG. 1**



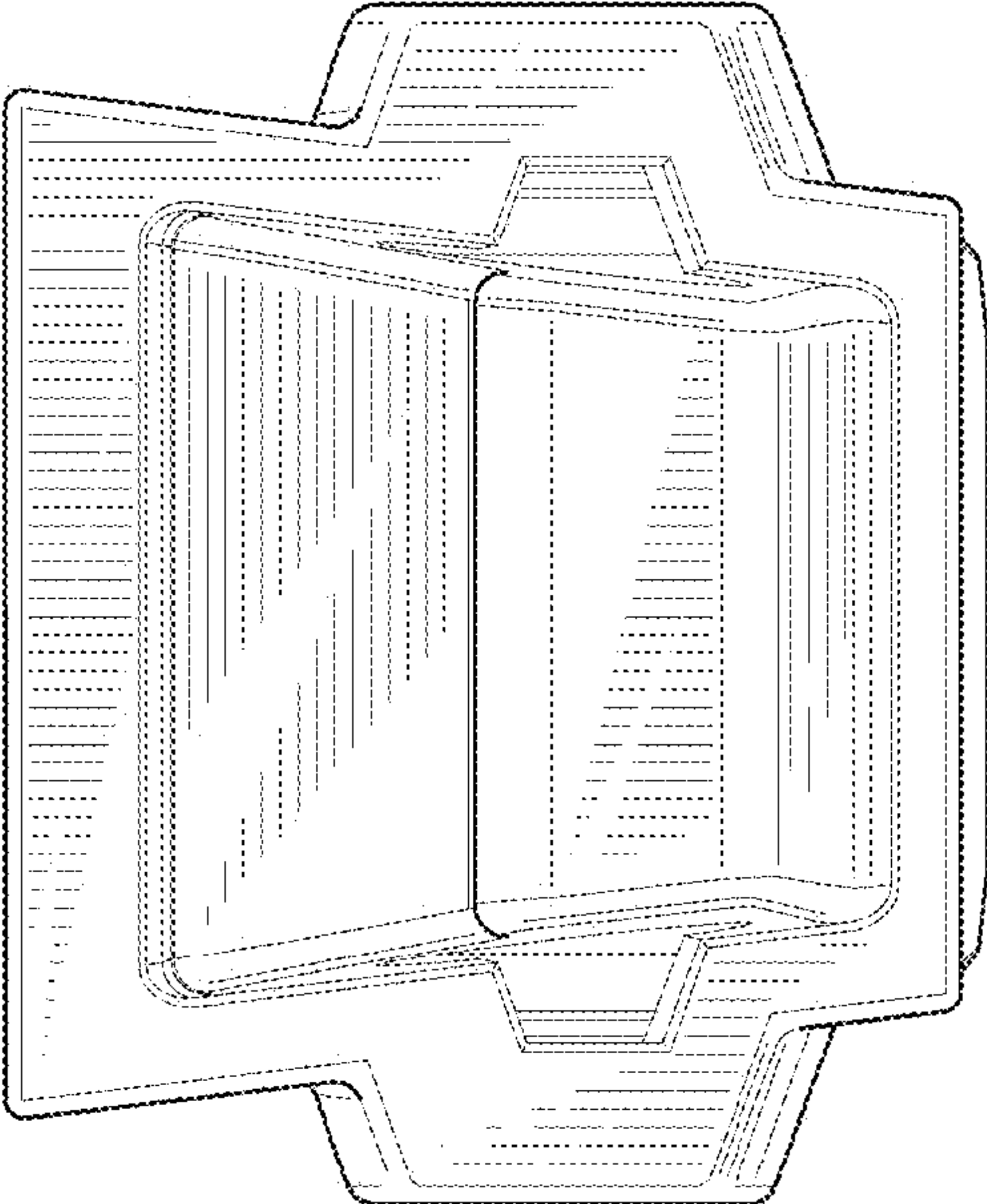
**FIG. 3**



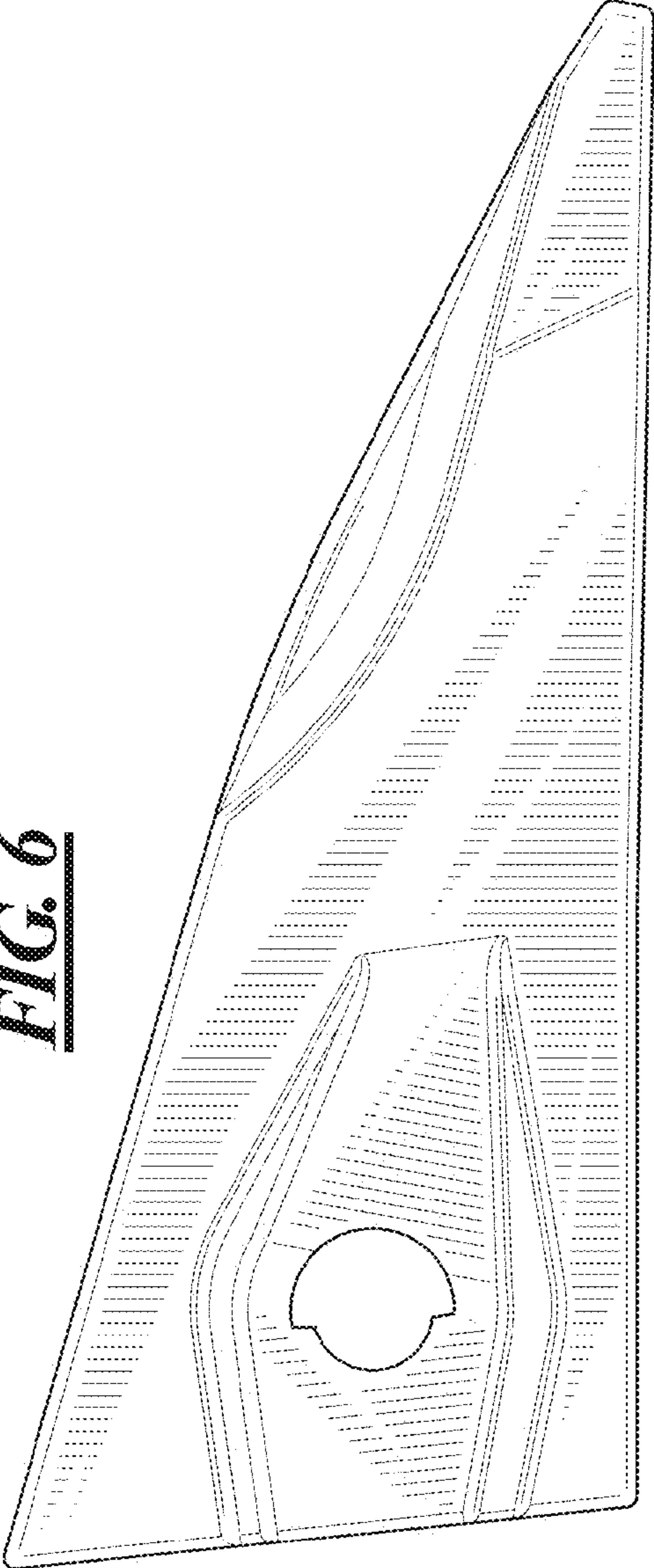
**FIG. 2**



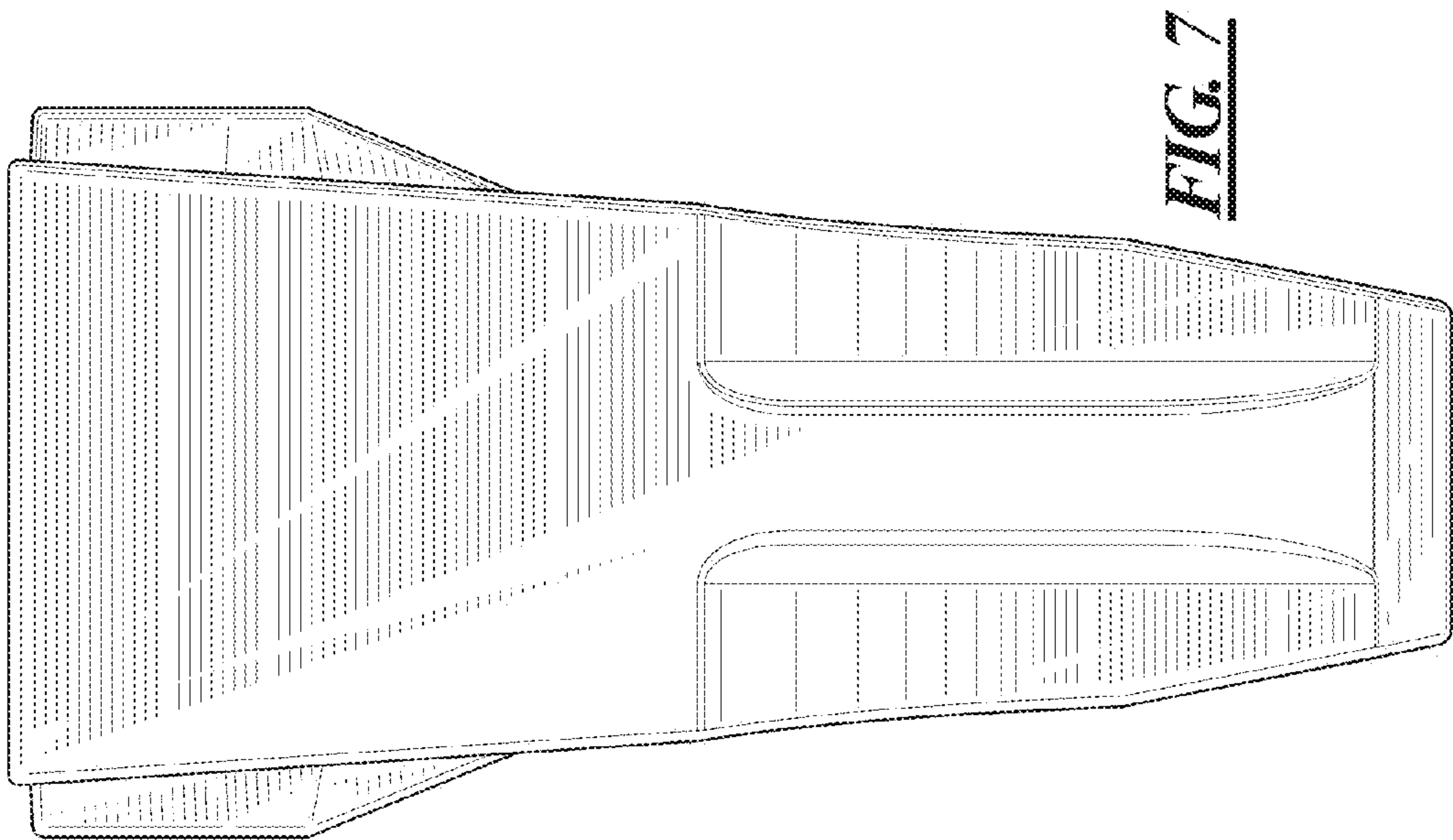
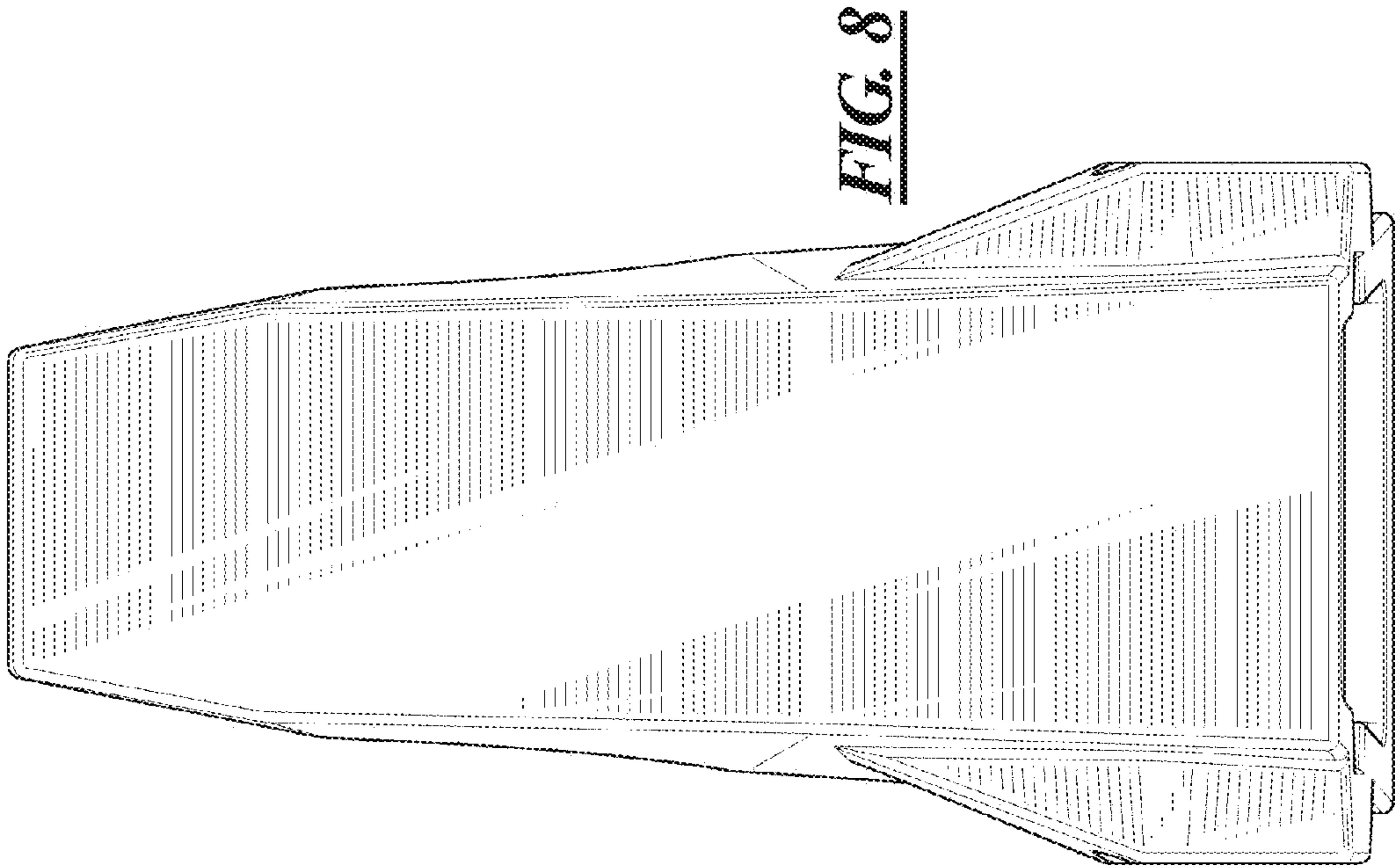
**FIG. 4**



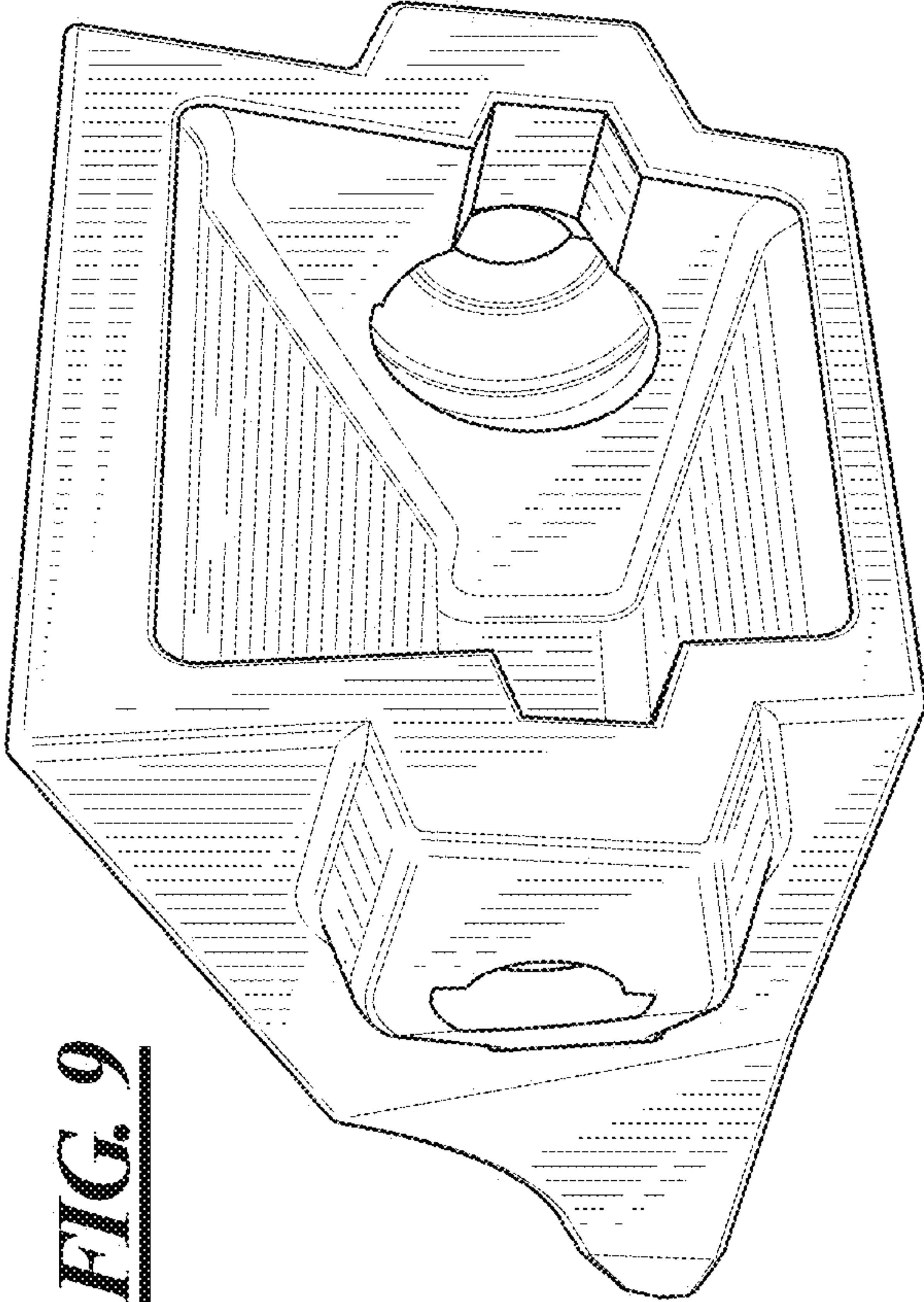
**FIG. 5**



**FIG. 6**







**FIG. 9**

UNITED STATES PATENT AND TRADEMARK OFFICE  
**CERTIFICATE OF CORRECTION**

PATENT NO. : D727,979 S  
APPLICATION NO. : 29/487243  
DATED : April 28, 2015  
INVENTOR(S) : Renski et al.

Page 1 of 1

It is certified that error appears in the above-identified patent and that said Letters Patent is hereby corrected as shown below:

On the Title Page

First Page, Column 1, Item (71) (Applicant), Line 1, delete "Caterpillar, Inc.," and insert  
-- Caterpillar Inc., --.

First Page, Column 2, (Other Publications), Line 1, delete "Caterpillar, Inc.," and insert  
-- Caterpillar Inc., --.

Page 2, Column 2, (Other Publications), Line 1, delete "Caterpillar, Inc.," and insert  
-- Caterpillar Inc., --.

Signed and Sealed this  
Twenty-eighth Day of March, 2017



Michelle K. Lee  
*Director of the United States Patent and Trademark Office*