



US00D727977S

(12) **United States Design Patent**
Higuchi et al.

(10) **Patent No.:** **US D727,977 S**

(45) **Date of Patent:** **** Apr. 28, 2015**

(54) **POWER SHOVEL**

(71) Applicant: **Kobelco Construction Machinery Co., Ltd.**, Hiroshima-shi, Hiroshima (JP)

(72) Inventors: **Fumikazu Higuchi**, Hiroshima (JP);
Masaaki Murakami, Hiroshima (JP);
Jumpei Yokota, Hiroshima (JP);
Daisuke Mochizuki, Hiroshima (JP);
Hironori Tsukamoto, Hiroshima (JP);
Tsuyoshi Noda, Hiroshima (JP); **Hiroshi Kanamaru**, Hiroshima (JP); **Kaoru Adachi**, Hiroshima (JP)

(73) Assignee: **Kobelco Construction Machinery Co., Ltd.**, Hiroshima-Shi (JP)

(**) Term: **14 Years**

(21) Appl. No.: **29/497,335**

(22) Filed: **Jul. 23, 2014**

(30) **Foreign Application Priority Data**

Jan. 24, 2014 (JP) 2014-001294

(51) **LOC (10) Cl.** **15-03**

(52) **U.S. Cl.**
USPC **D15/28**

(58) **Field of Classification Search**
USPC D15/22-26, 28, 17; 180/89.1, 89.12,
180/235, 900; 414/694, 699, 722-724;
280/400

See application file for complete search history.

(56) **References Cited**

U.S. PATENT DOCUMENTS

D433,689 S * 11/2000 Kraft et al. D15/30
D487,100 S * 2/2004 Tokach et al. D15/30
D487,575 S * 3/2004 Wetzal et al. D15/33

D506,211 S * 6/2005 Kuwae et al. D15/33
D510,366 S * 10/2005 Kuwae et al. D15/28
D528,568 S * 9/2006 Kuwae et al. D15/28
D576,182 S * 9/2008 Murakami et al. D15/28
D582,946 S * 12/2008 Ochi et al. D15/28
D635,592 S * 4/2011 Shimomura et al. D15/28
D681,689 S * 5/2013 Saito et al. D15/24
D682,891 S * 5/2013 Kinoshita D15/25
D684,598 S * 6/2013 Hagura et al. D15/24
D684,599 S * 6/2013 Saito et al. D15/24
D685,008 S * 6/2013 Hagura et al. D15/28
D685,009 S * 6/2013 Saito et al. D15/28

* cited by examiner

Primary Examiner — Mark Goodwin

(74) *Attorney, Agent, or Firm* — Birch, Stewart, Kolasch & Birch, LLP

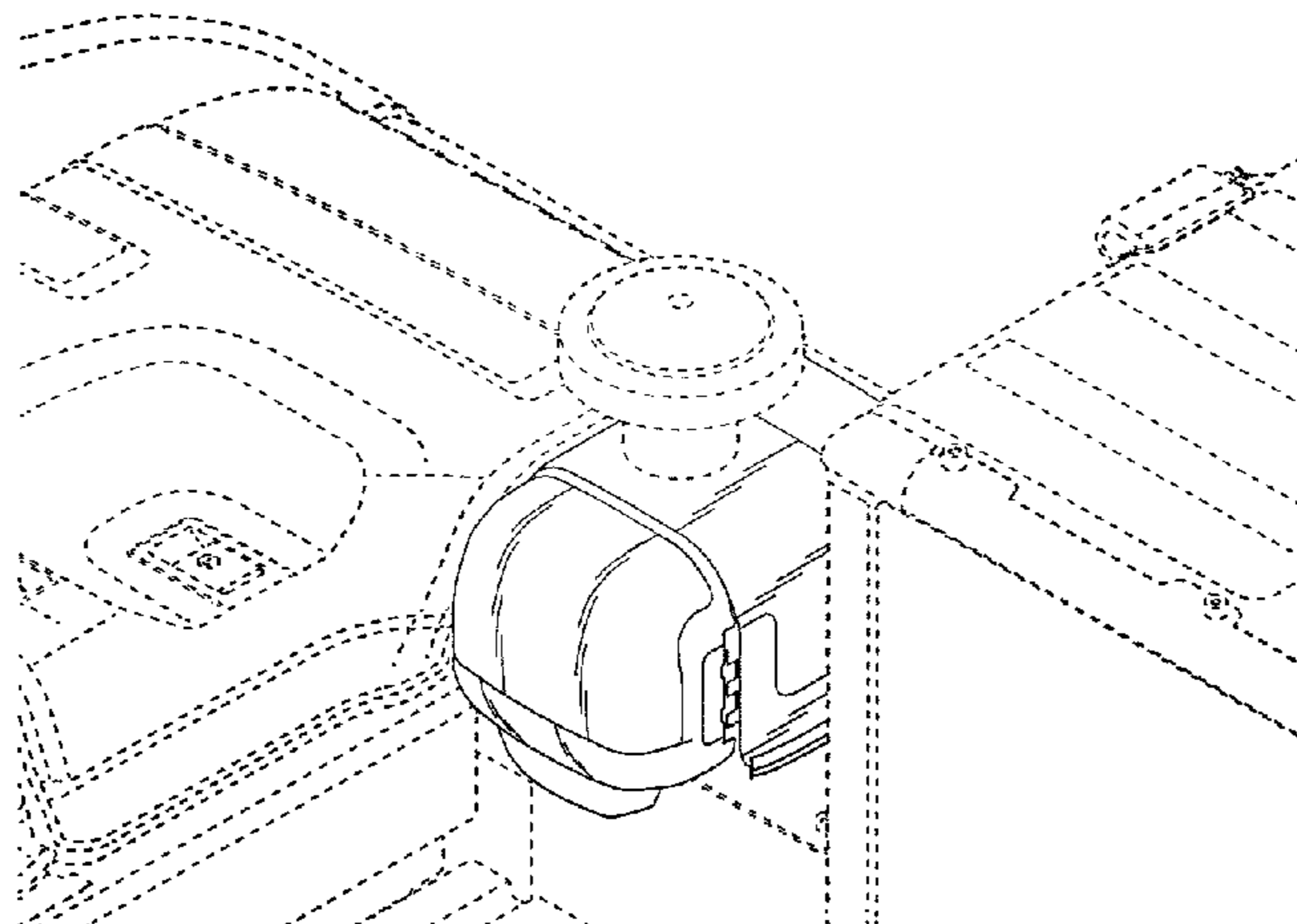
(57) **CLAIM**

The ornamental design for a power shovel, as shown and described.

DESCRIPTION

FIG. 1 is a first perspective view of a power shovel showing our new design;
FIG. 2 is a second perspective view thereof;
FIG. 3 is a front view thereof;
FIG. 4 is a rear view thereof;
FIG. 5 is a right side view thereof;
FIG. 6 is a top view thereof;
FIG. 7 is an enlarged first perspective view of FIG. 1 thereof;
FIG. 8 is an enlarged second perspective view of FIG. 2 thereof;
FIG. 9 is an enlarged front view of FIG. 3 thereof;
FIG. 10 is an enlarged rear view of FIG. 4 thereof;
FIG. 11 is an enlarged right side view of FIG. 5 thereof; and,
FIG. 12 is an enlarged top view of FIG. 6 thereof.
The portion shown by broken lines is for illustrative purposes only and forms no part of the claimed design.

1 Claim, 9 Drawing Sheets



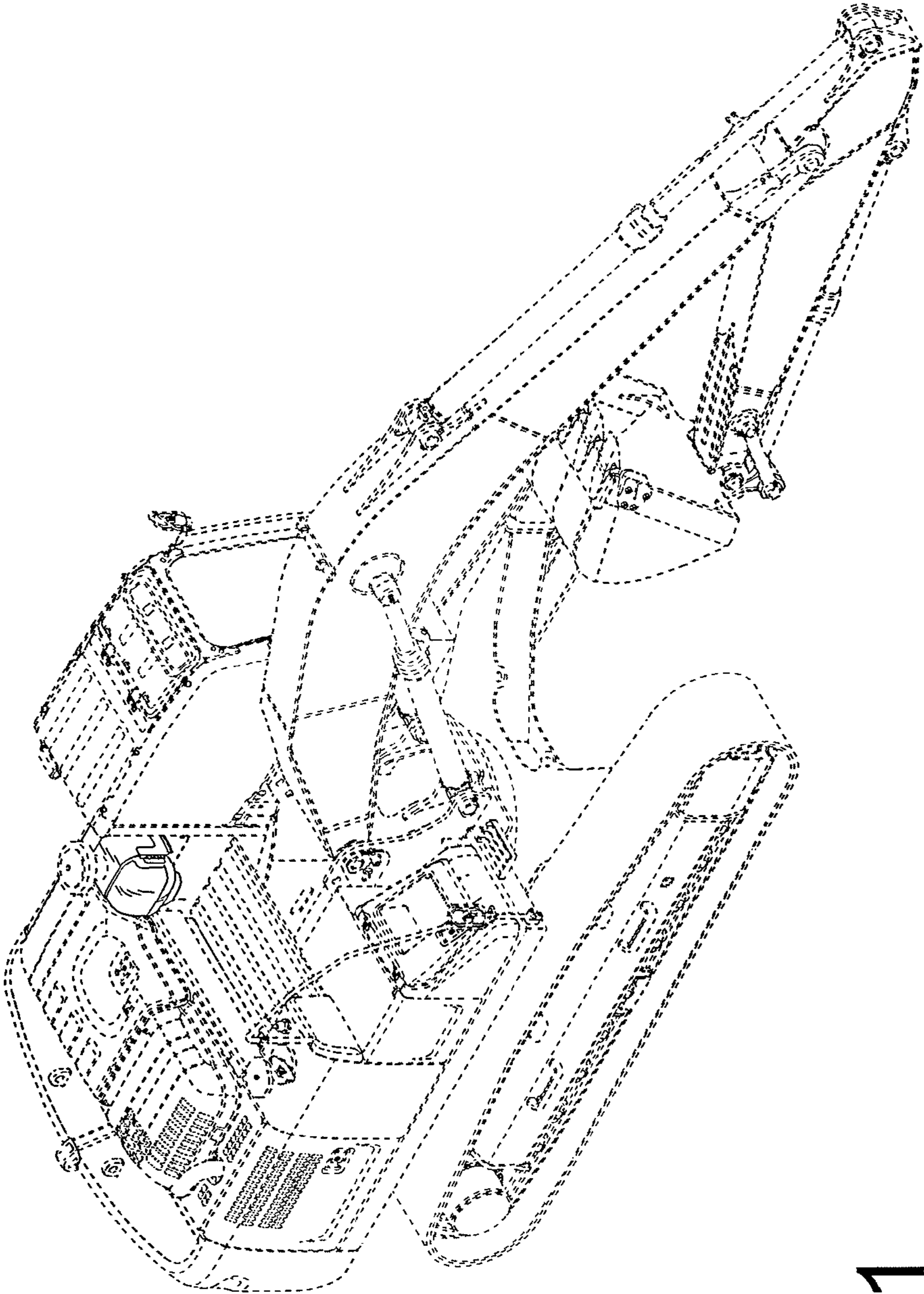


FIG.1

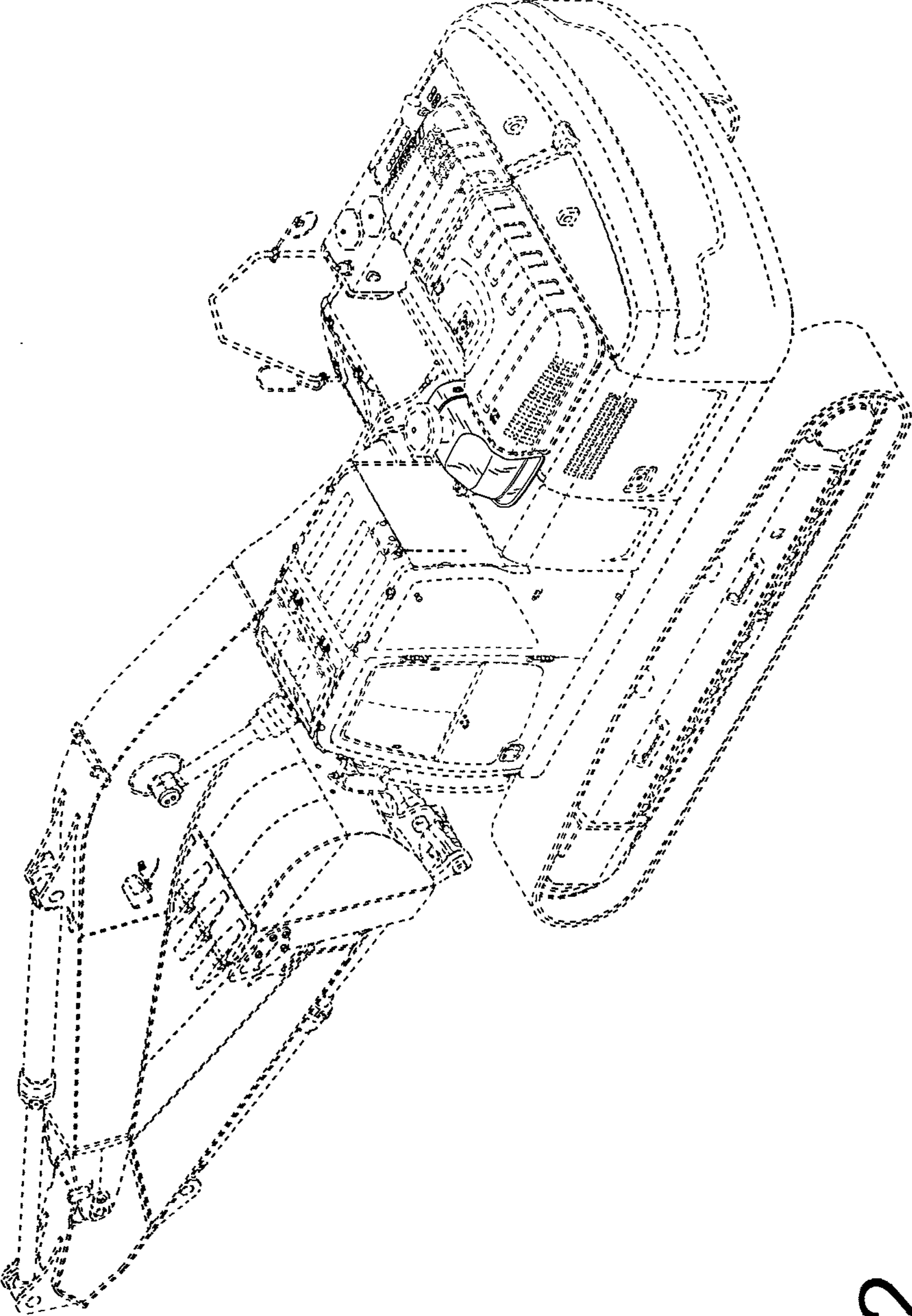


FIG. 2

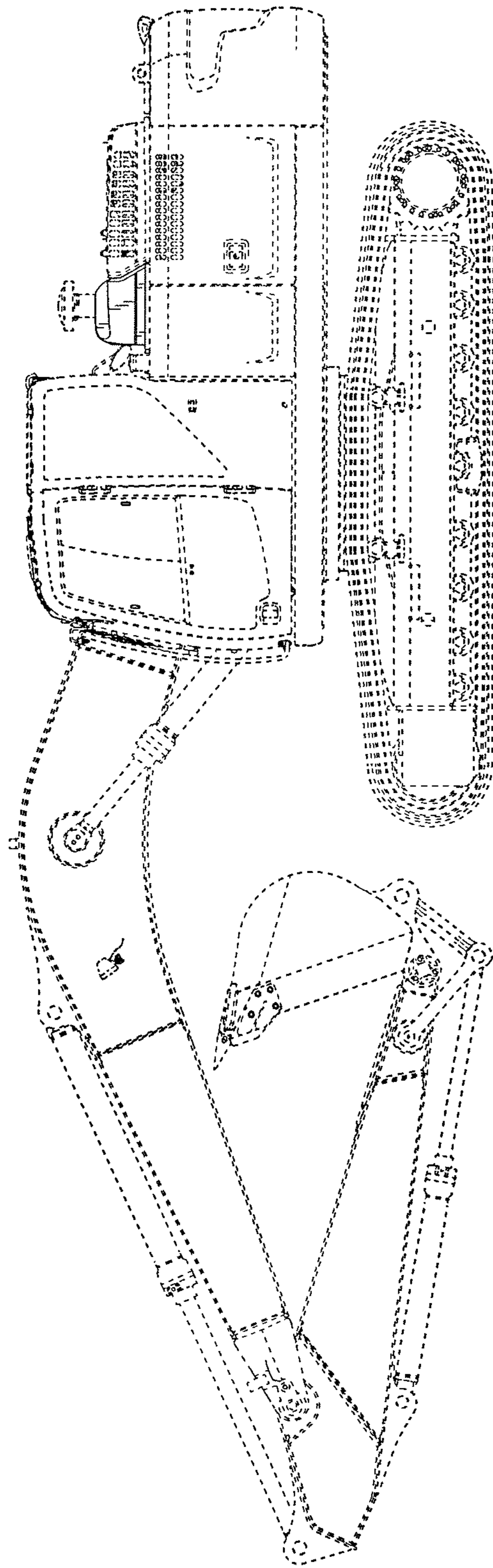


FIG.3

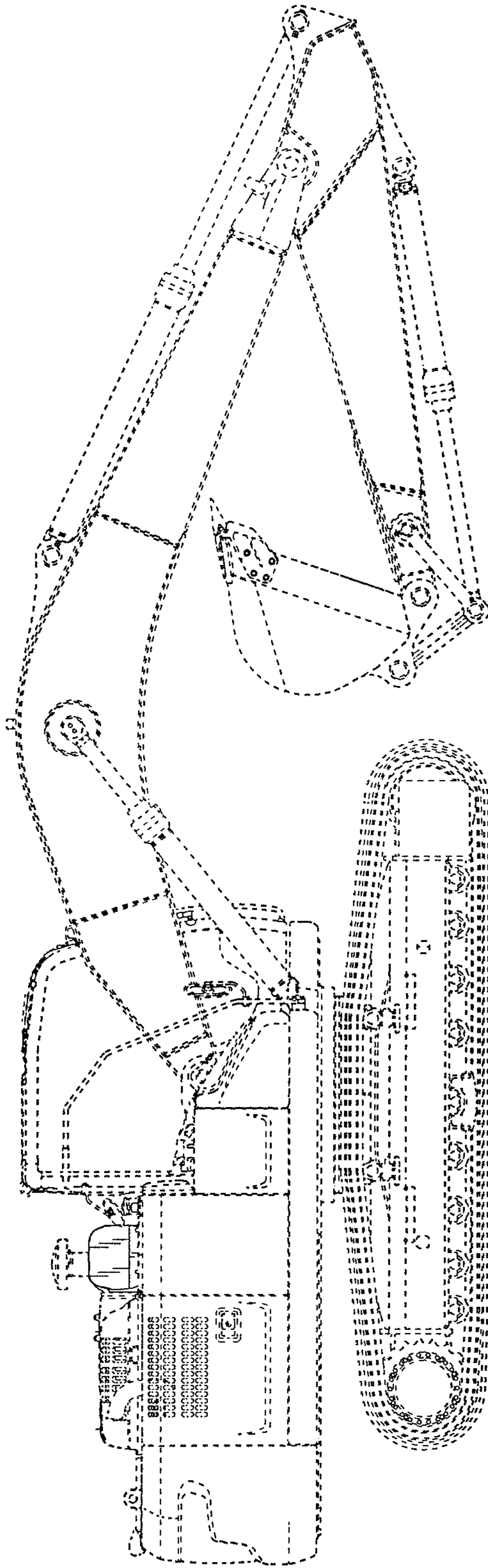


FIG. 4

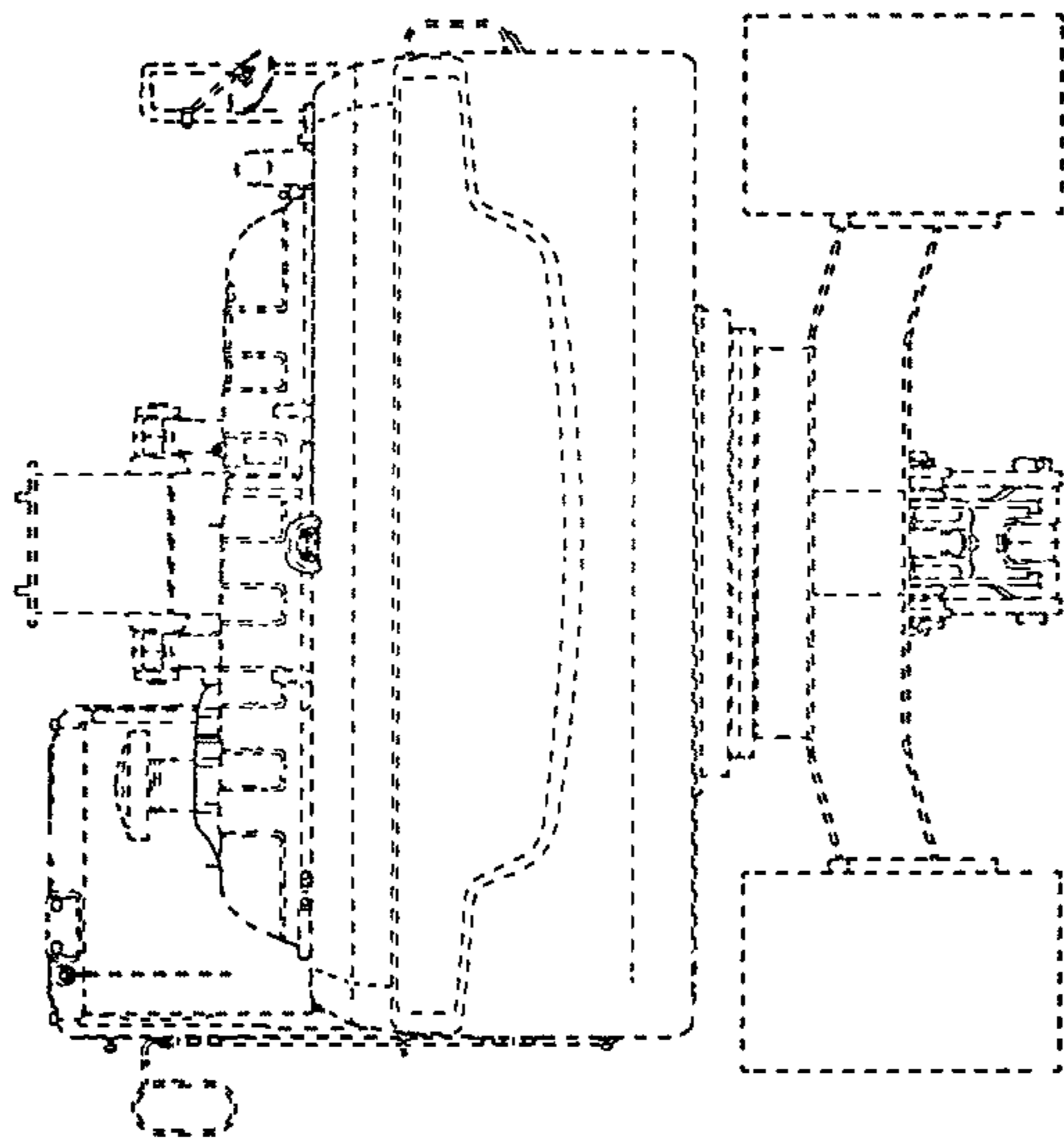


FIG. 5

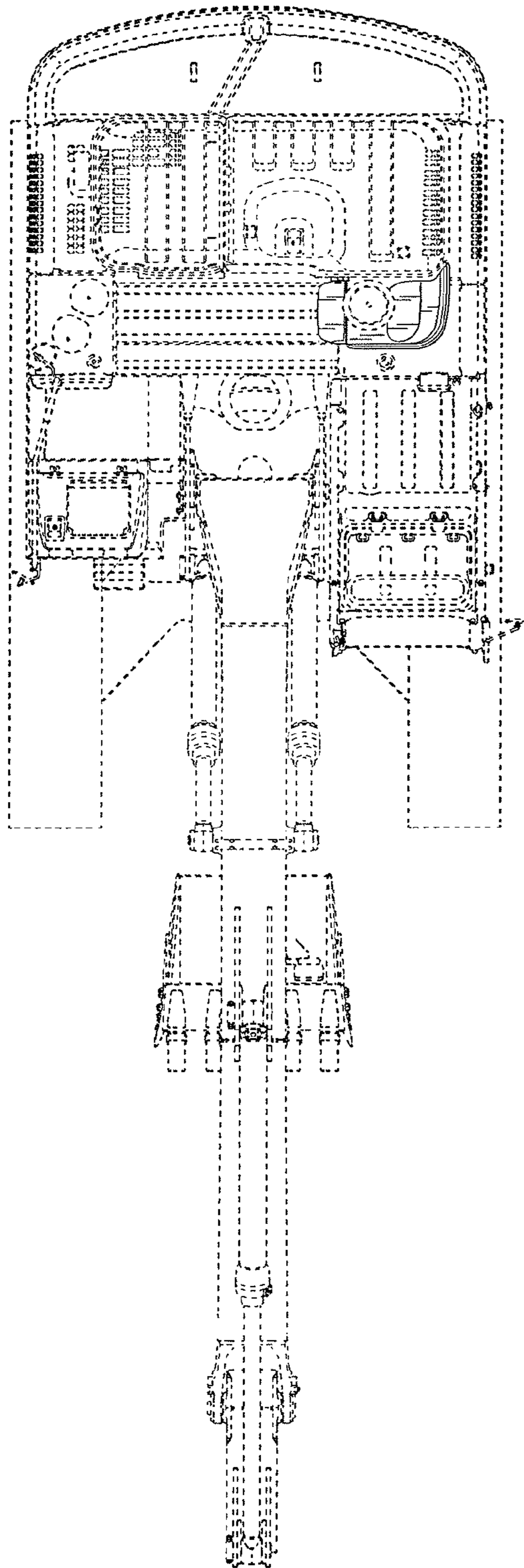


FIG.6

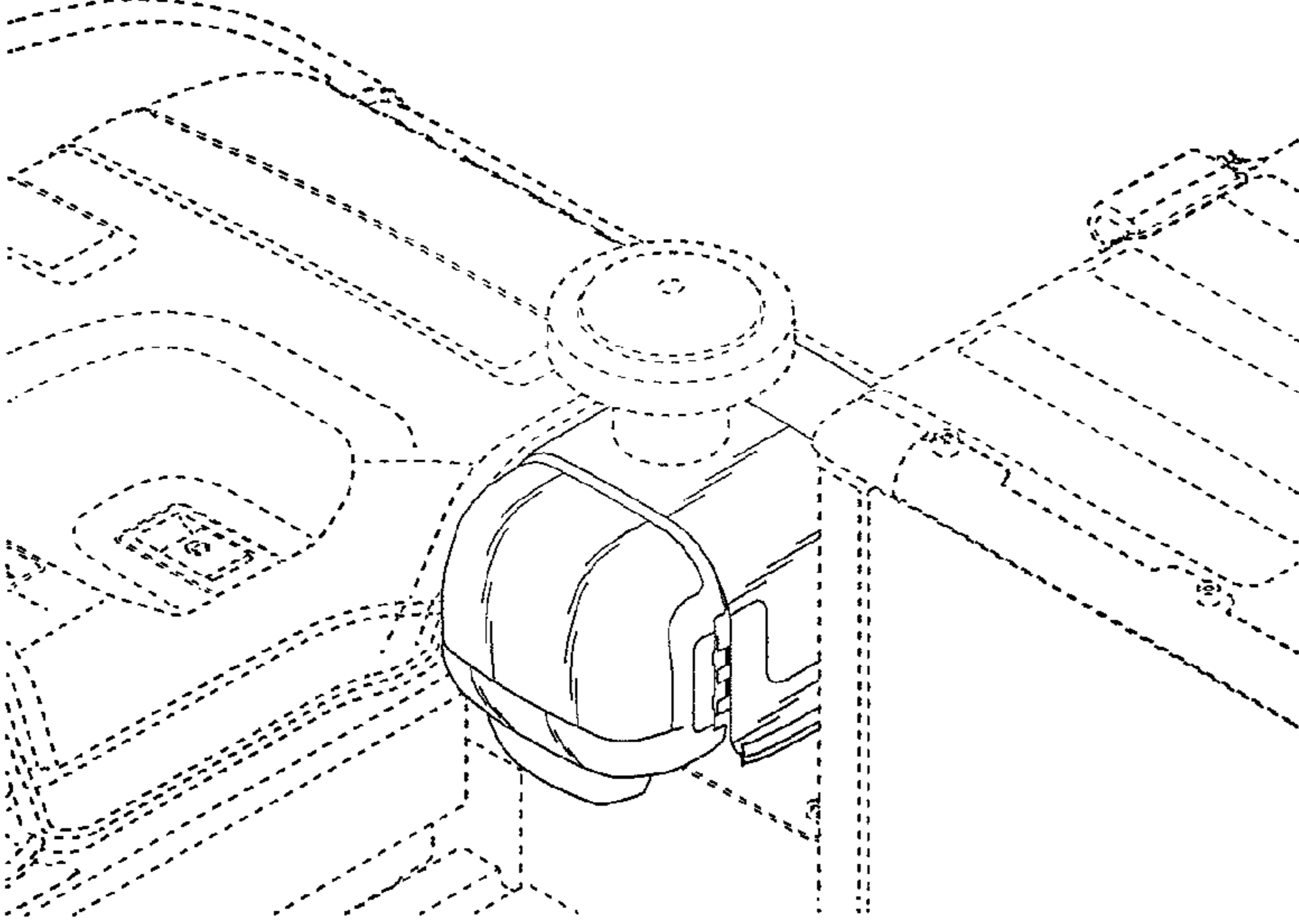


FIG. 7

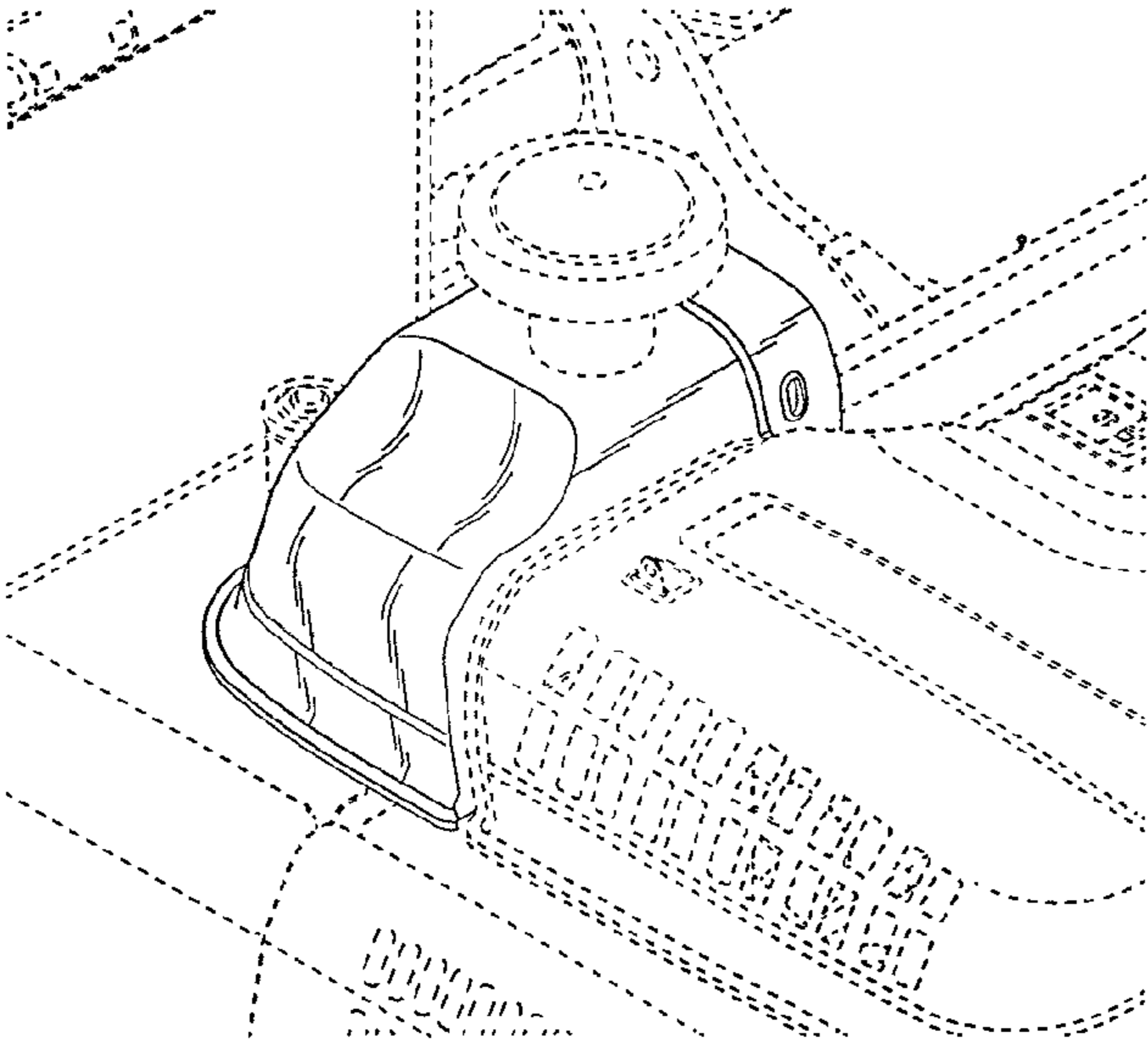


FIG. 8

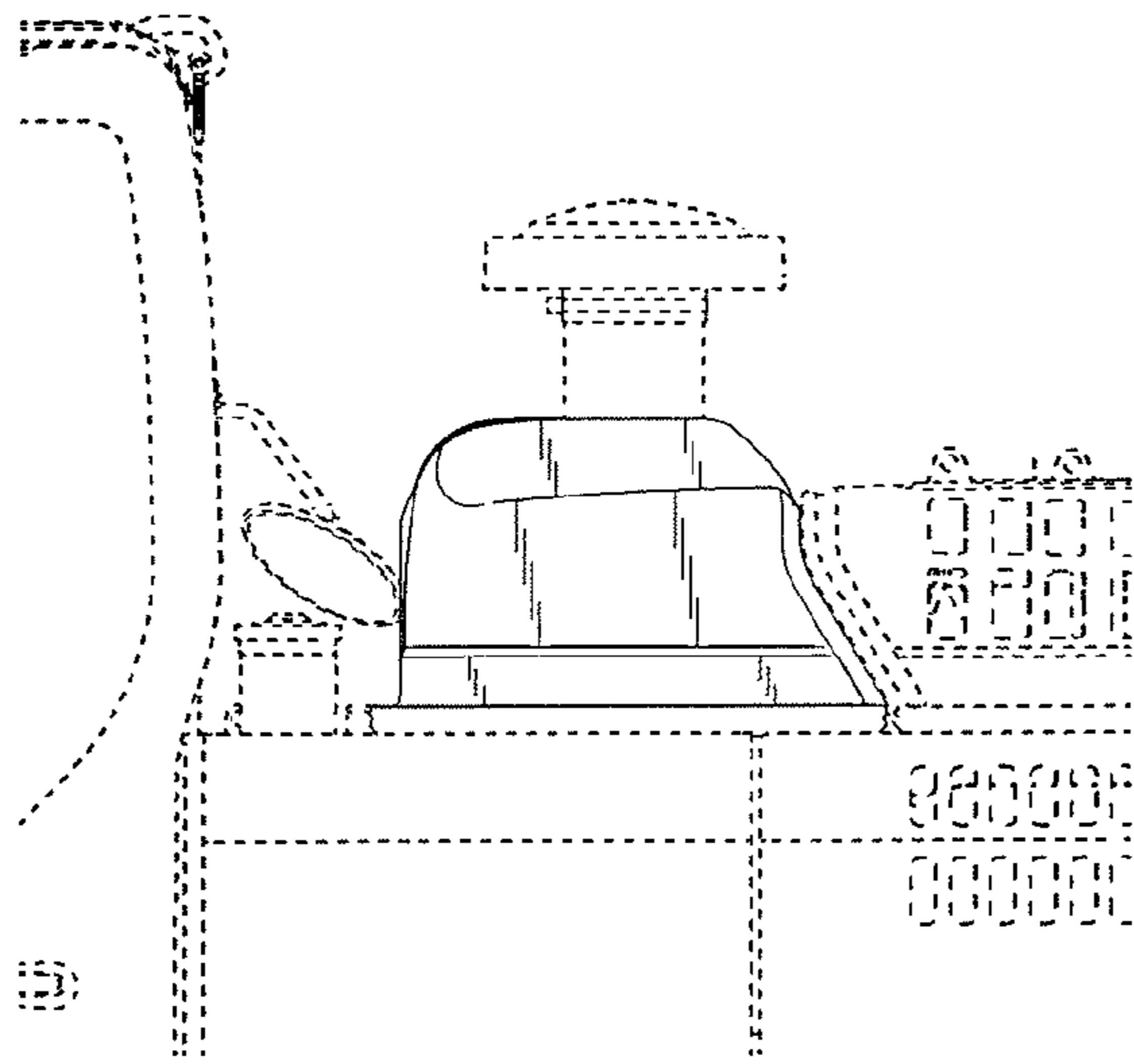


FIG. 9

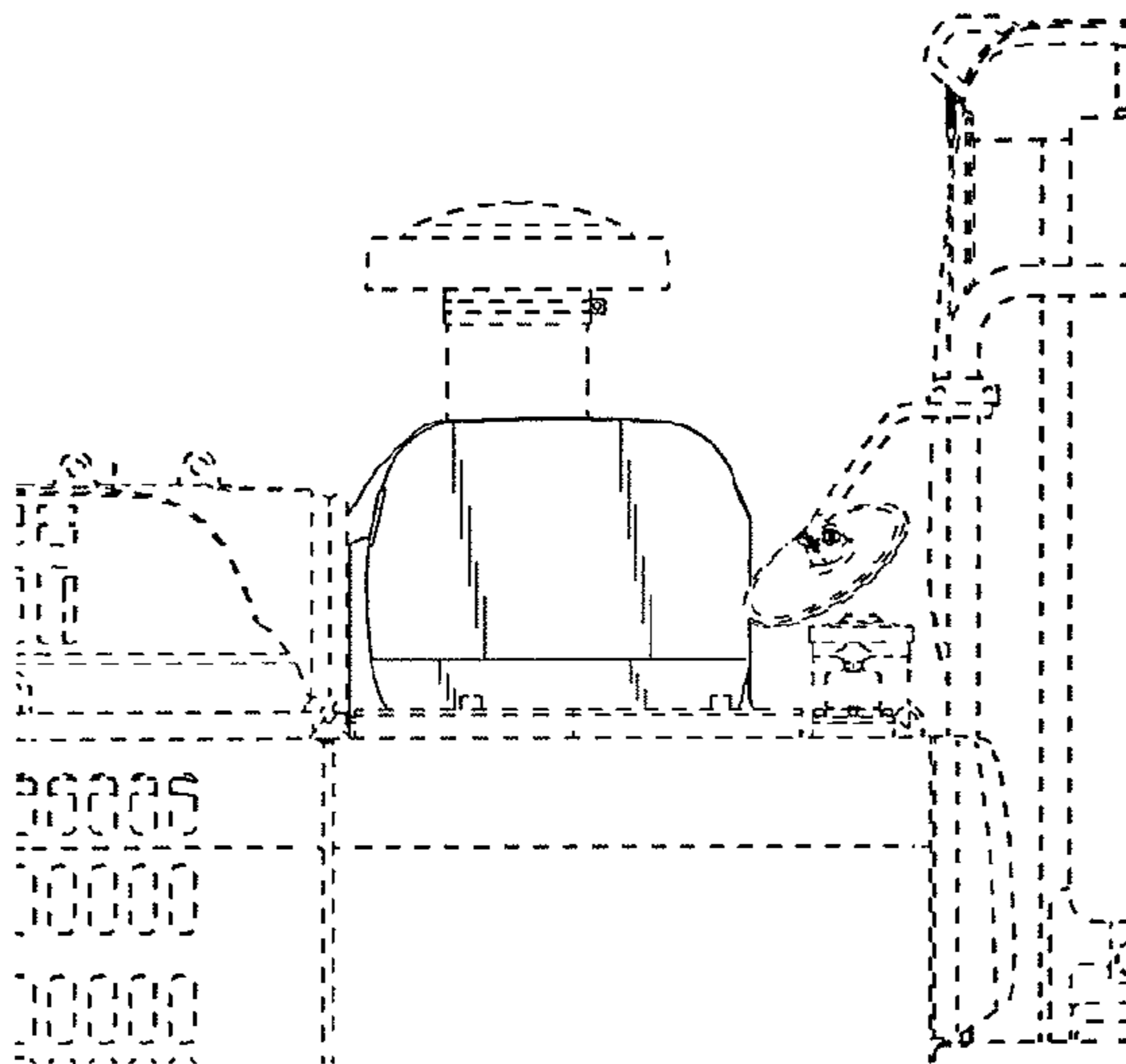


FIG. 10

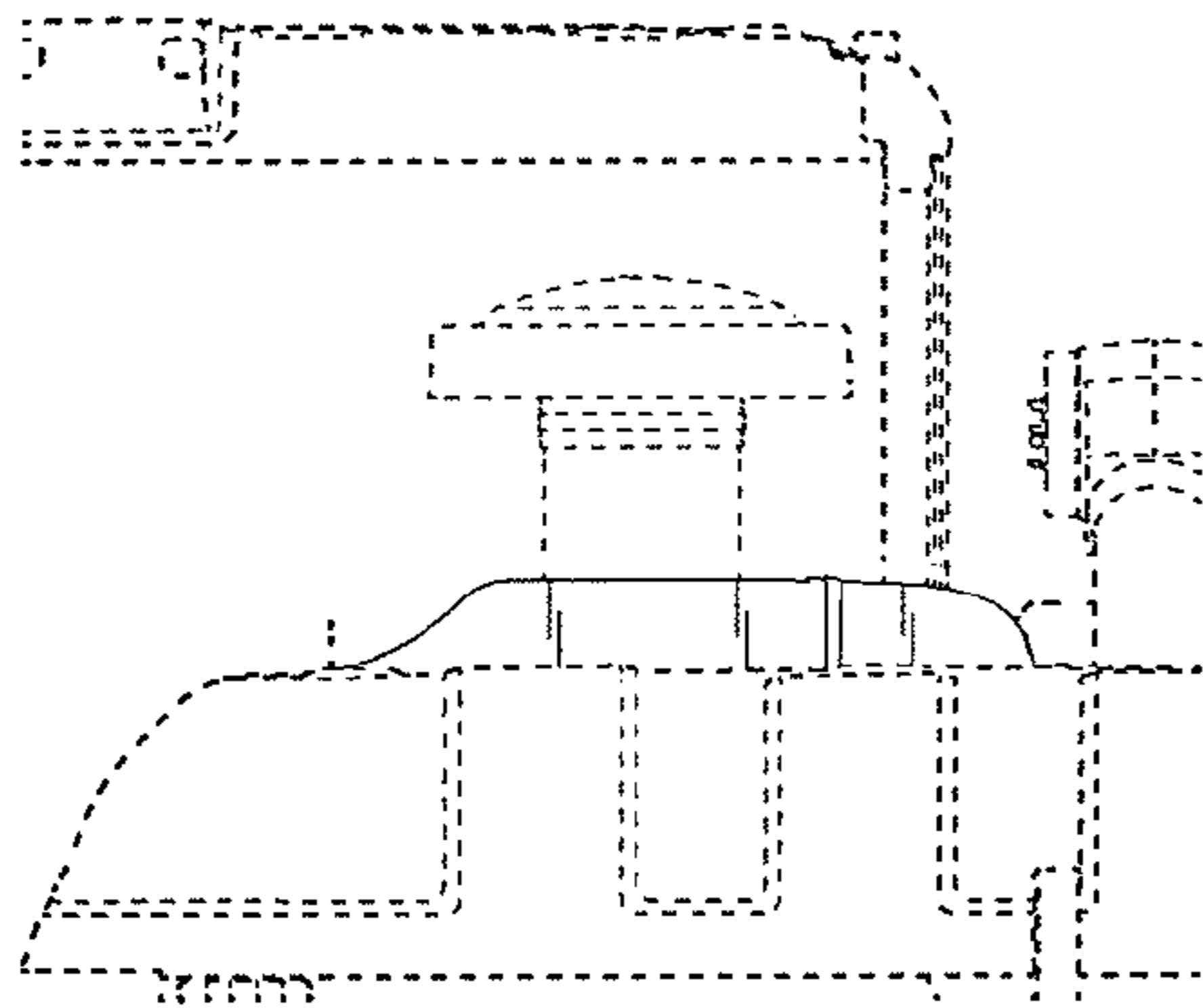


FIG.11

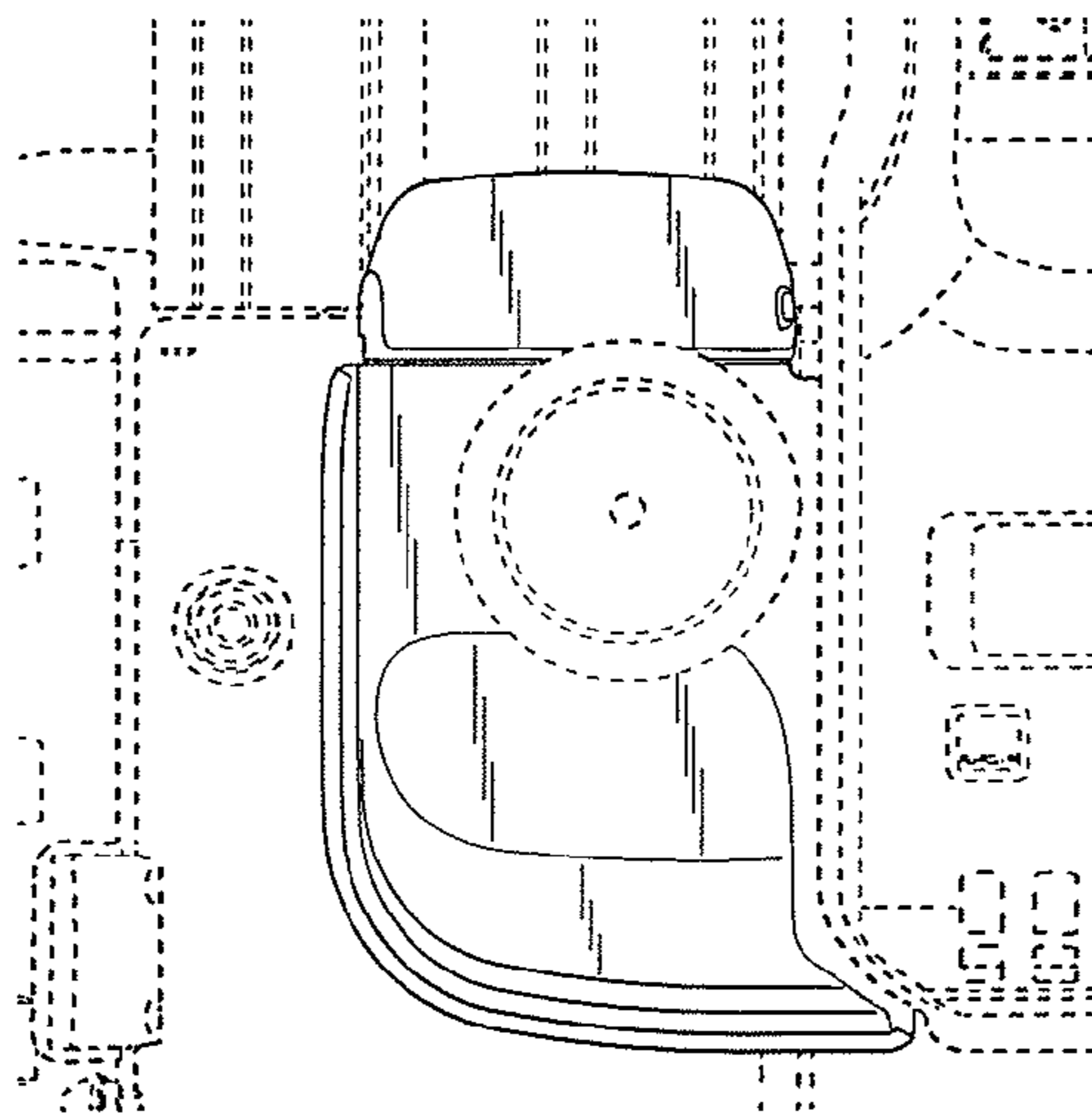


FIG.12